



US00D794869S

(12) **United States Design Patent** (10) **Patent No.:** **US D794,869 S**
Lal et al. (45) **Date of Patent:** **** Aug. 15, 2017**

(54) **LIGHTING HARP**
(71) Applicant: **Purillume, Inc.**, Cary, NC (US)
(72) Inventors: **Neeraj Lal**, Cary, NC (US); **Randy Faucette**, Cary, NC (US); **Quinn Marceil**, Raleigh, NC (US); **Rodney Bame**, Cary, NC (US)
(73) Assignee: **Purillume, Inc.**, Cary, NC (US)
(**) Term: **15 Years**
(21) Appl. No.: **29/542,755**
(22) Filed: **Oct. 16, 2015**
(51) **LOC (10) Cl.** **26-99**
(52) **U.S. Cl.**
USPC **D26/141**
(58) **Field of Classification Search**
USPC D26/2, 28, 72, 89, 113, 118, 119, 120,
D26/122, 124, 128, 138, 142, 143, 145,
D26/60; D13/180
CPC F41C 27/00; F41C 33/0254; G02B 5/045;
G02B 5/189; F21S 8/00; F21S 8/03;
F21S 8/026; F21S 8/02; F21S 8/003;
F21S 8/043; F21S 8/06; F21S 8/04; F21V
7/005; F21V 15/01; F21V 15/04; F21V
25/00; G02F 2001/133607; F21Y 2103/00
See application file for complete search history.

D743,058 S * 11/2015 Oonaka D26/2
D744,125 S * 11/2015 Cai D26/2
D752,804 S * 3/2016 Williamson D26/141
D752,805 S * 3/2016 Williamson D26/141
D759,269 S * 6/2016 Lai D26/2
2005/0024875 A1* 2/2005 Zhang F21K 9/00
362/264
2007/0253202 A1* 11/2007 Wu F21V 29/006
362/294
2008/0253125 A1* 10/2008 Kang F21V 29/004
362/294
2009/0135604 A1* 5/2009 Chen F21L 4/027
362/294
2009/0200908 A1* 8/2009 Mart F21K 9/137
313/11
2009/0237934 A1* 9/2009 Zeng F21V 21/30
362/249.03
2010/0046168 A1* 2/2010 Liaw F21K 9/13
361/704
2010/0309671 A1* 12/2010 Meyer, IV F21K 9/00
362/373
2010/0314983 A1* 12/2010 Chen F21V 29/74
313/45

(Continued)

Primary Examiner — Eric Goodman
Assistant Examiner — Sanjeev Paul
(74) *Attorney, Agent, or Firm* — Steptoe & Johnson LLP

(57) **CLAIM**

What is claimed is a lighting harp, as shown and described.

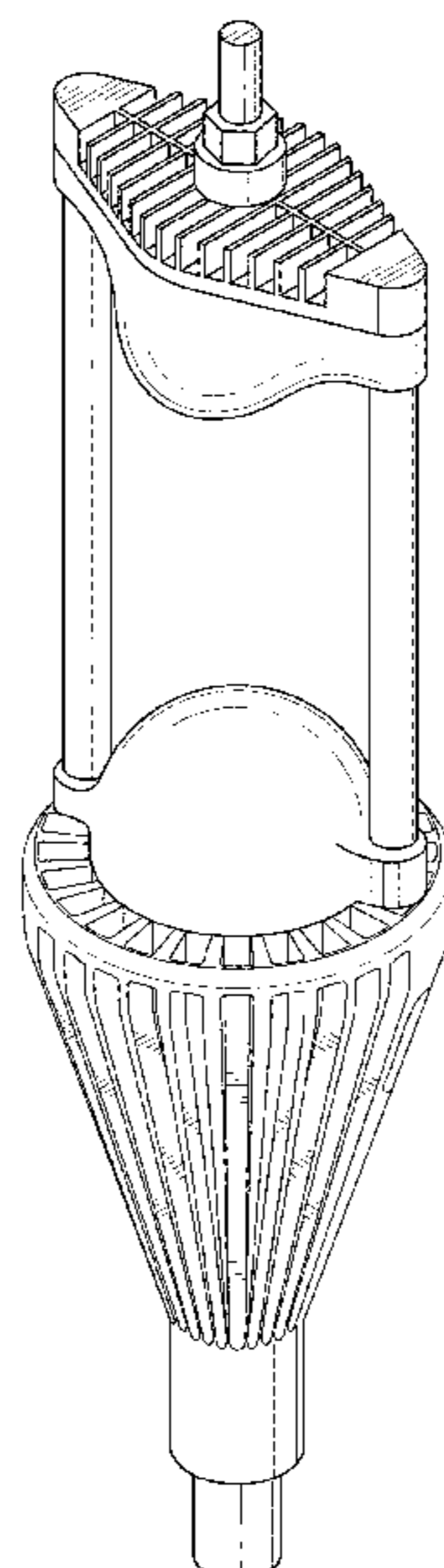
DESCRIPTION

FIG. 1 is a perspective view of a lighting harp;
FIG. 2 is a front elevation view thereof;
FIG. 3 is a rear elevation view thereof;
FIG. 4 is a right side elevation view thereof;
FIG. 5 is a left side elevation view thereof;
FIG. 6 is a top view thereof; and,
FIG. 7 is a bottom view thereof.

1 Claim, 6 Drawing Sheets

(56) **References Cited**
U.S. PATENT DOCUMENTS

D378,145 S * 2/1997 Cohon D26/141
D644,765 S * 9/2011 Su D26/2
D666,340 S * 8/2012 Sakamoto D26/2
D671,241 S * 11/2012 Sakamoto D26/2
D689,630 S * 9/2013 McGuire D26/2
D708,361 S * 7/2014 McGuire D26/2
D742,558 S * 11/2015 Bukkems D26/2



(56)

References Cited

U.S. PATENT DOCUMENTS

2011/0037387 A1* 2/2011 Chou F21K 9/135
315/35
2011/0176291 A1* 7/2011 Sanders H05B 33/0803
362/84
2011/0176316 A1* 7/2011 Phipps F21V 29/004
362/373
2012/0250334 A1* 10/2012 Huang F21V 29/006
362/373
2013/0010479 A1* 1/2013 Chen F21K 9/13
362/373
2013/0027928 A1* 1/2013 Kang F21K 9/135
362/235
2013/0223049 A1* 8/2013 Katsaros F21S 9/037
362/183
2014/0112006 A1* 4/2014 Kim F21V 29/22
362/382
2015/0354757 A1* 12/2015 Lee F21V 7/0016
362/84
2015/0362168 A1* 12/2015 Power F21V 23/06
362/294
2016/0169491 A1* 6/2016 Gurwicz B25B 13/50
81/460
2016/0186933 A1* 6/2016 Su F21K 9/135
362/363
2016/0186981 A1* 6/2016 Chen F21V 29/77
362/373

* cited by examiner

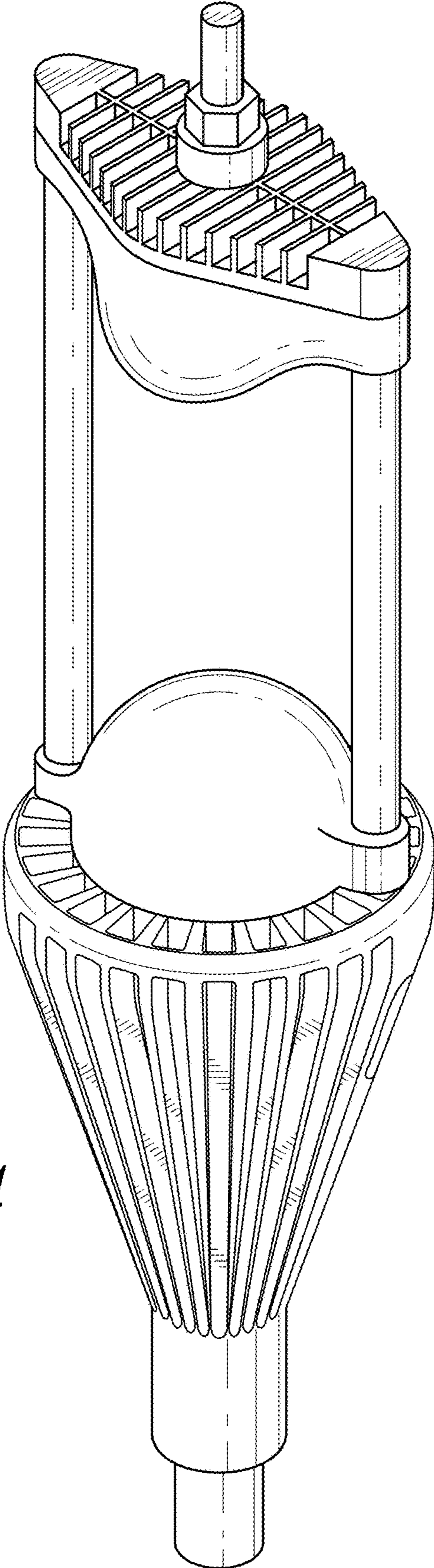


FIG. 1

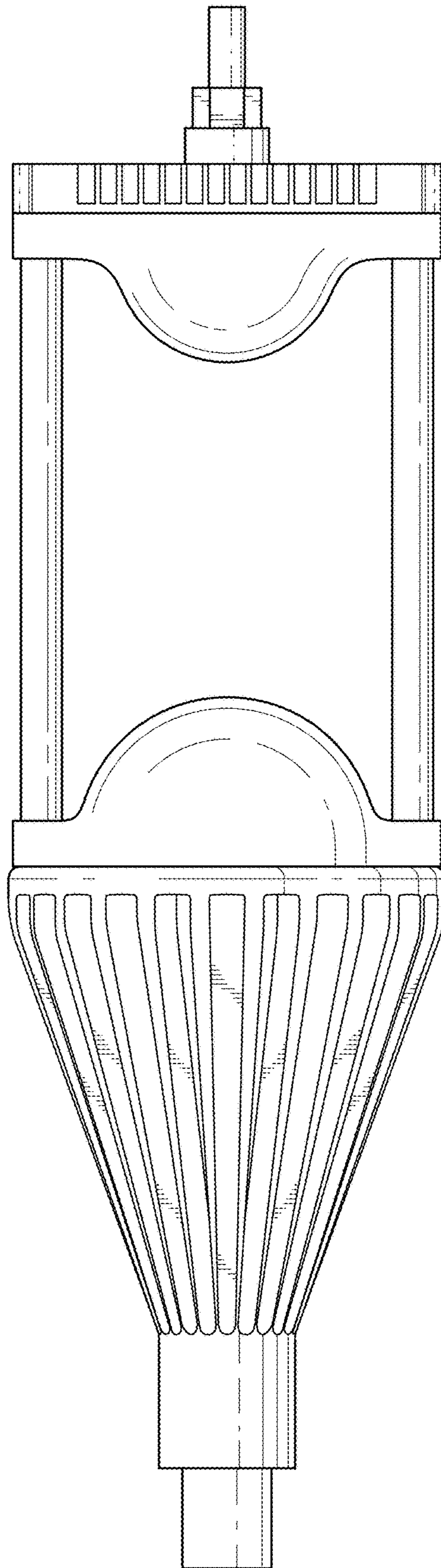


FIG. 2

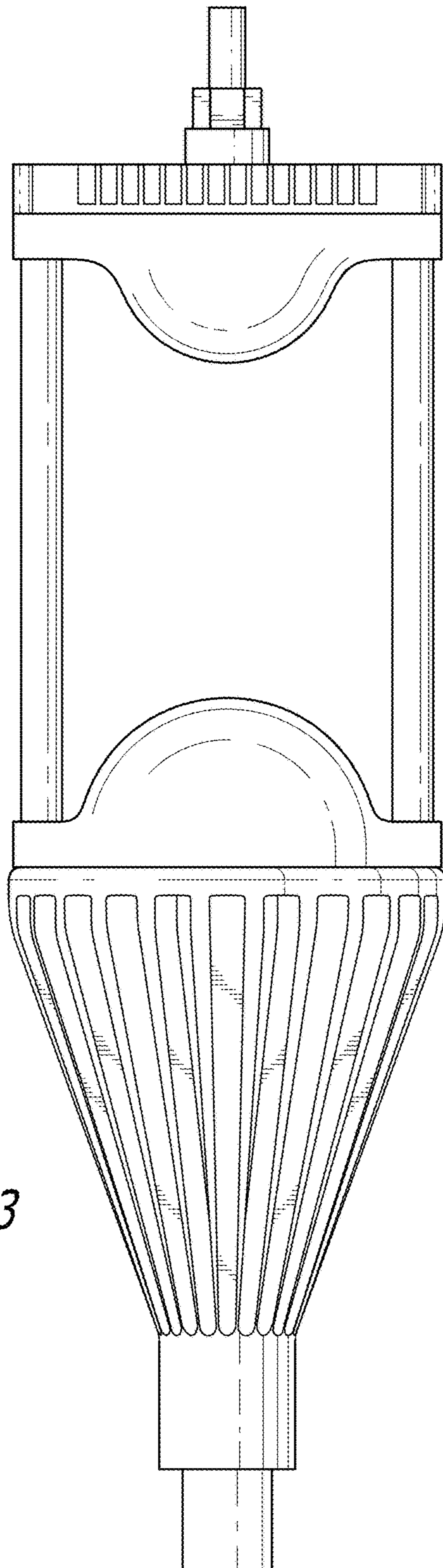


FIG. 3

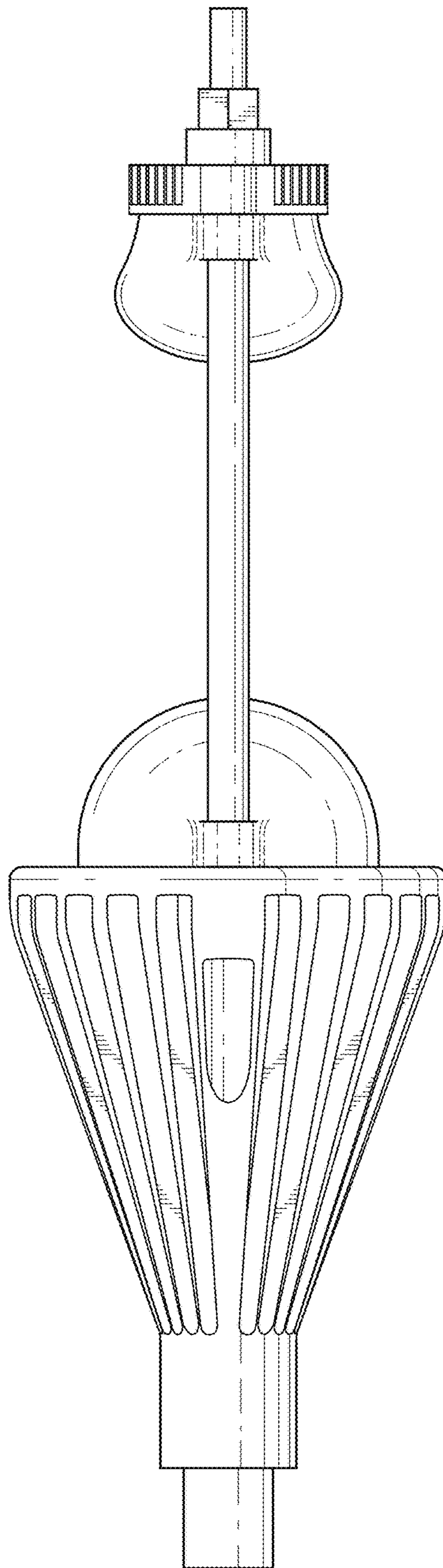


FIG. 4

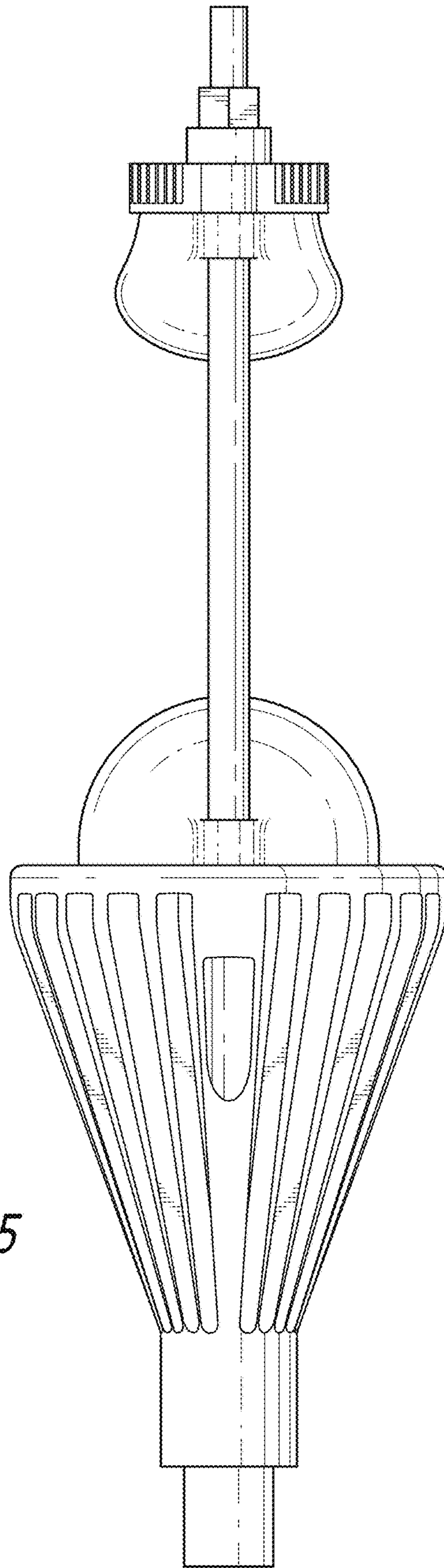


FIG. 5

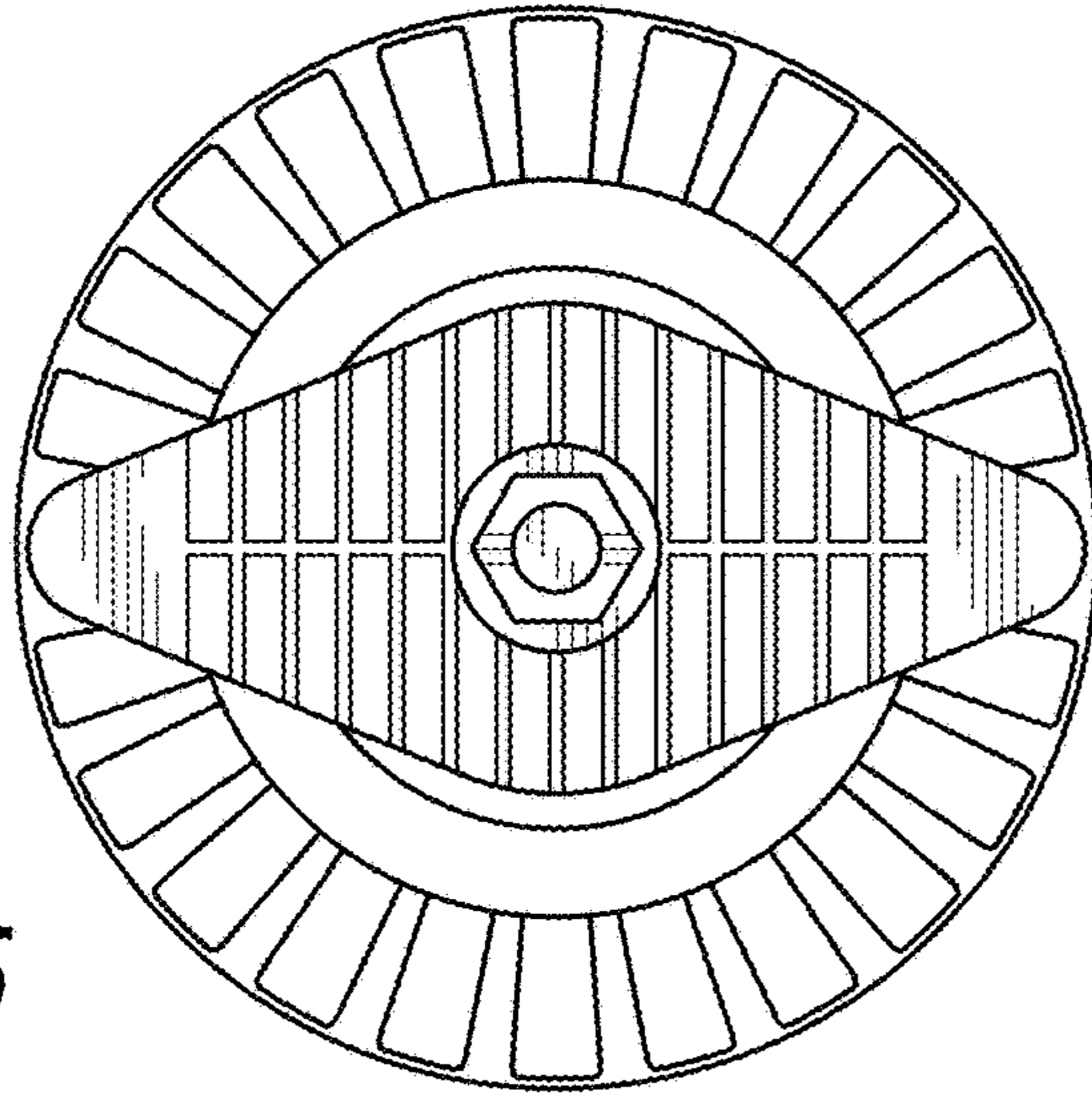


FIG. 6

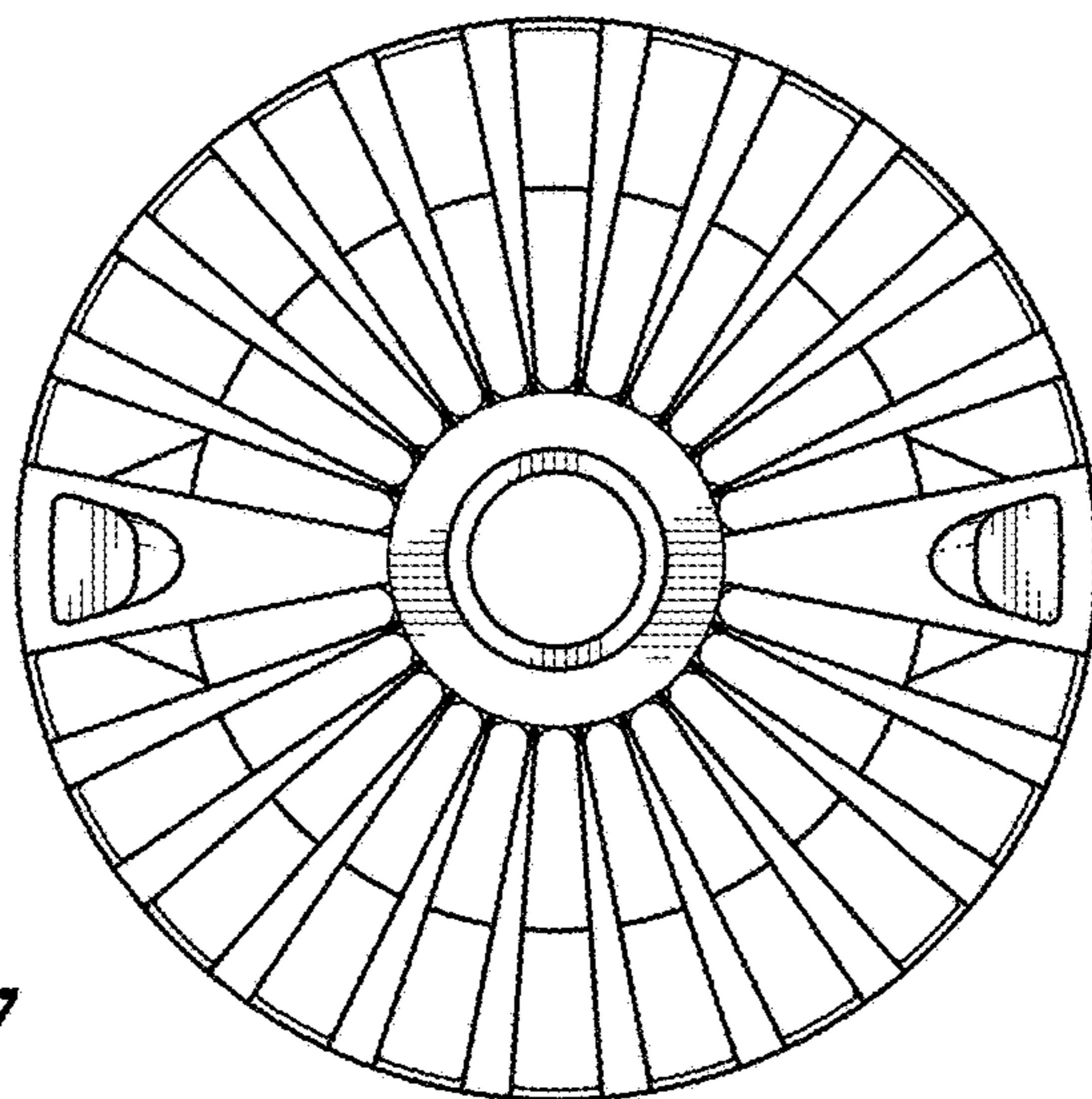


FIG. 7