



US00D794866S

(12) **United States Design Patent**
Wu et al.

(10) **Patent No.:** **US D794,866 S**
(45) **Date of Patent:** **** Aug. 15, 2017**

(54) **LED BULB LAMP COVER**

(71) Applicant: **UNITY OPTO TECHNOLOGY CO., LTD.**, New Taipei (TW)

(72) Inventors: **Chih-Hsien Wu**, New Taipei (TW);
Wei Chang, New Taipei (TW);
Kai-Cheng Chuang, New Taipei (TW);
Yi-Shu Chen, New Taipei (TW);
Hsin-Chieh Liao, New Taipei (TW);
Sen-Yuh Tsai, New Taipei (TW);
Ching-Ping Tseng, New Taipei (TW)

(73) Assignee: **Unity Opto Technology Co., Ltd.**,
New Taipei (TW)

(**) Term: **15 Years**

(21) Appl. No.: **29/563,497**

(22) Filed: **May 5, 2016**

(30) **Foreign Application Priority Data**

Jan. 29, 2016 (TW) 105300455

(51) **LOC (10) Cl.** **26-99**

(52) **U.S. Cl.**
USPC **D26/124**

(58) **Field of Classification Search**

USPC D26/20, 27, 30, 31, 32, 25, 35, 36, 42,
D26/46, 55, 69, 70, 71, 76, 72, 85, 113,
D26/78, 80, 101, 110, 109, 118-120, 123,
D26/124, 127, 133, 134, 139; D7/416;
D10/111-113, 115, 113.1; D11/144;
D13/134, 158-178; D14/473, 230;
D22/118; D25/126-135
CPC F21K 9/00; F21K 9/135; F21K 9/27; F21S
8/033; F21S 8/00; F21S 8/086; F21S
8/02; F21S 9/02; F21S 10/04; F21V
17/10; F21V 17/14; F21V 29/74; F21V
29/83; F21V 29/76; F21V 3/00; F21V
7/09; F21Y 2101/00; F21Y 2103/10;
F21Y 2107/30; F21Y 2115/10; G02B
5/0257; G02B 6/0083; H05B 33/0845;
H05B 33/0842; H05B 33/0806; A47G

33/08; A01K 93/00; A63B 21/22; B65G
49/063; C09K 11/06; A45D 40/00

See application file for complete search history.

(56) **References Cited**

U.S. PATENT DOCUMENTS

2,784,512 A * 3/1957 Goodwin A47G 33/08
220/4.21
4,893,433 A * 1/1990 Scheffler A01K 93/00
43/43.1

(Continued)

OTHER PUBLICATIONS

“IKEA FADO—Table Lamp, White” Mar. 11, 2016, amazon.com,
site visited Apr. 20, 2017 <https://www.amazon.co.uk/IKEA-FADO-Table-lamp-white/dp/B00GMMGSTM/ref=pd_day0_201_4?_encoding=UTF8&psc=1&refRID=ZMN32S3SP37C7BTVET26>.*

Primary Examiner — Kevin Rudzinski

Assistant Examiner — Paul Bohannon

(74) *Attorney, Agent, or Firm* — Rosenberg, Klein & Lee

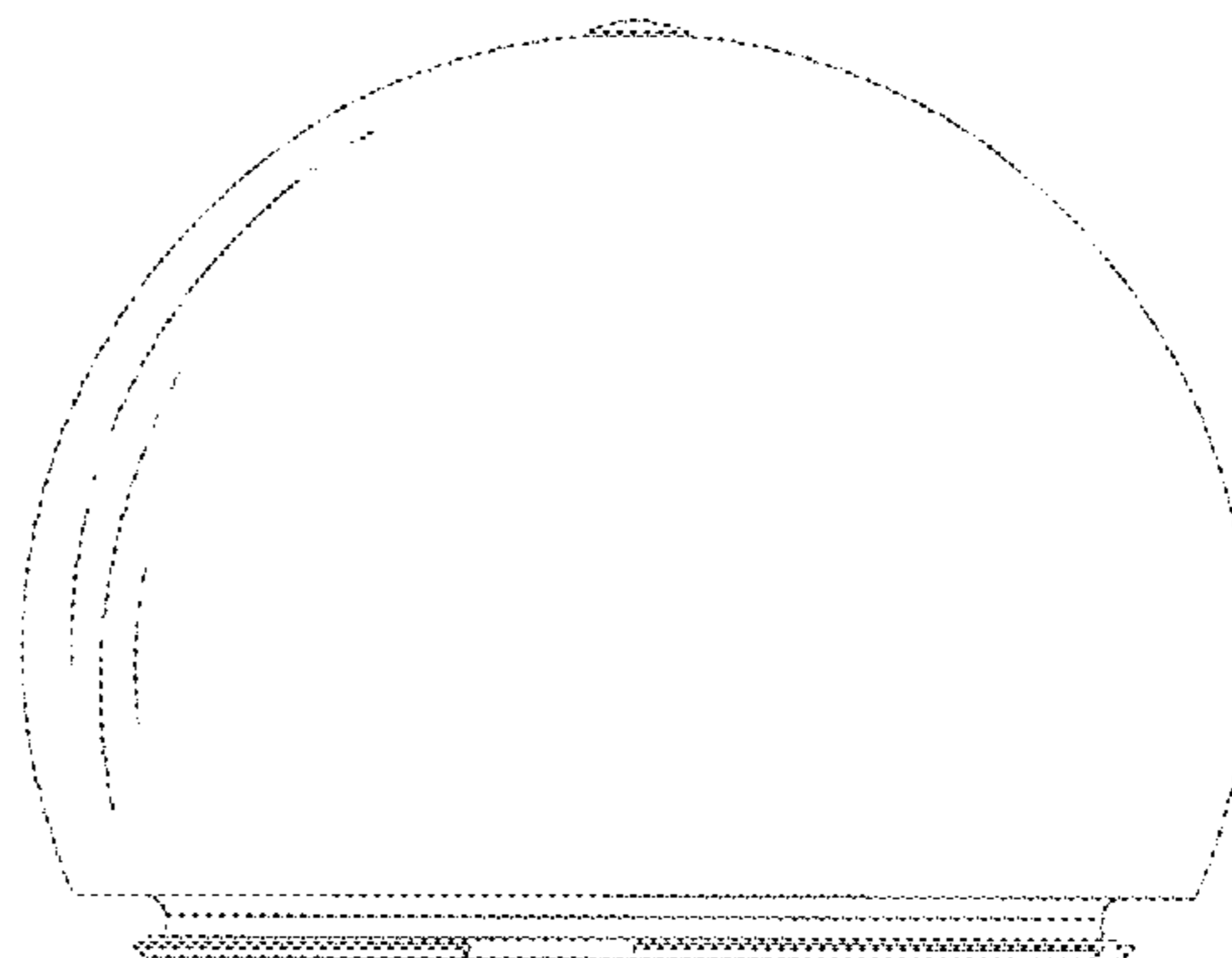
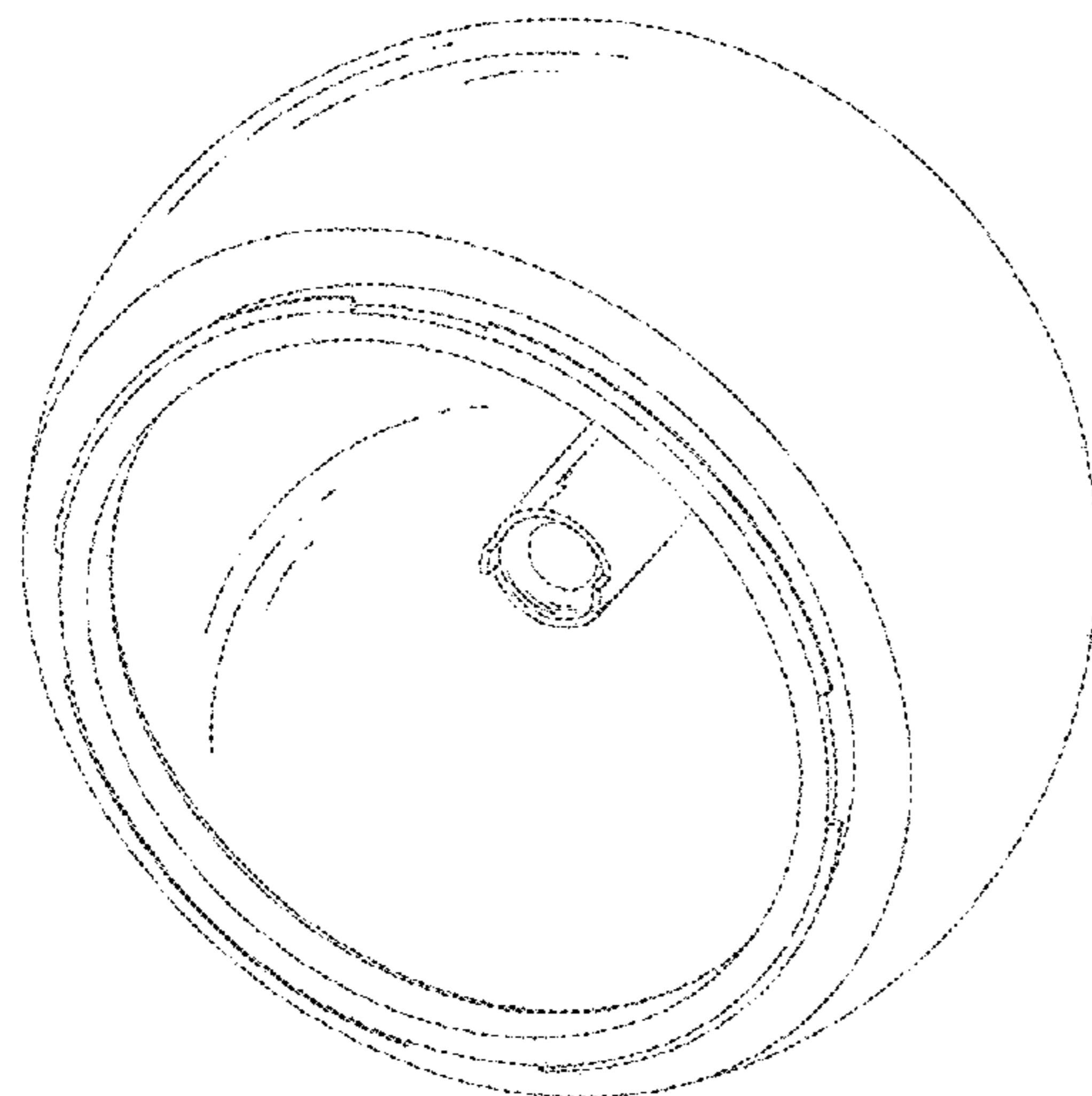
(57) **CLAIM**

The ornamental design for a “LED bulb lamp cover,” as shown and described.

DESCRIPTION

FIG. 1 is a perspective view of a LED bulb lamp cover showing our new design;
FIG. 2 is another perspective view thereof;
FIG. 3 is a front view thereof;
FIG. 4 is a rear view thereof;
FIG. 5 is a left side view thereof;
FIG. 6 is a right side view thereof;
FIG. 7 is a top view thereof;
FIG. 8 is a bottom view thereof; and,
FIG. 9 is a cross sectional view taken from line 9-9 in FIG. 7.

1 Claim, 7 Drawing Sheets



(56)

References Cited

U.S. PATENT DOCUMENTS

D592,064 S * 5/2009 Kilany D9/519
D610,458 S * 2/2010 Martin D9/414
7,930,827 B2 * 4/2011 Sandin B65G 49/063
29/445
8,109,656 B1 * 2/2012 Hulse C09K 11/06
362/293
8,444,337 B2 * 5/2013 Teller A45D 40/00
206/385
D756,541 S * 5/2016 Lagier D26/1
2003/0012025 A1 * 1/2003 Christen F21S 9/02
362/362
2007/0207899 A1 * 9/2007 Chuang A63B 21/22
482/45
2014/0254174 A1 * 9/2014 Yamamoto F21V 17/14
362/311.14
2015/0159846 A1 * 6/2015 Hollinger H05B 33/0806
362/183
2015/0176789 A1 * 6/2015 Garcia F21S 10/04
362/157

* cited by examiner

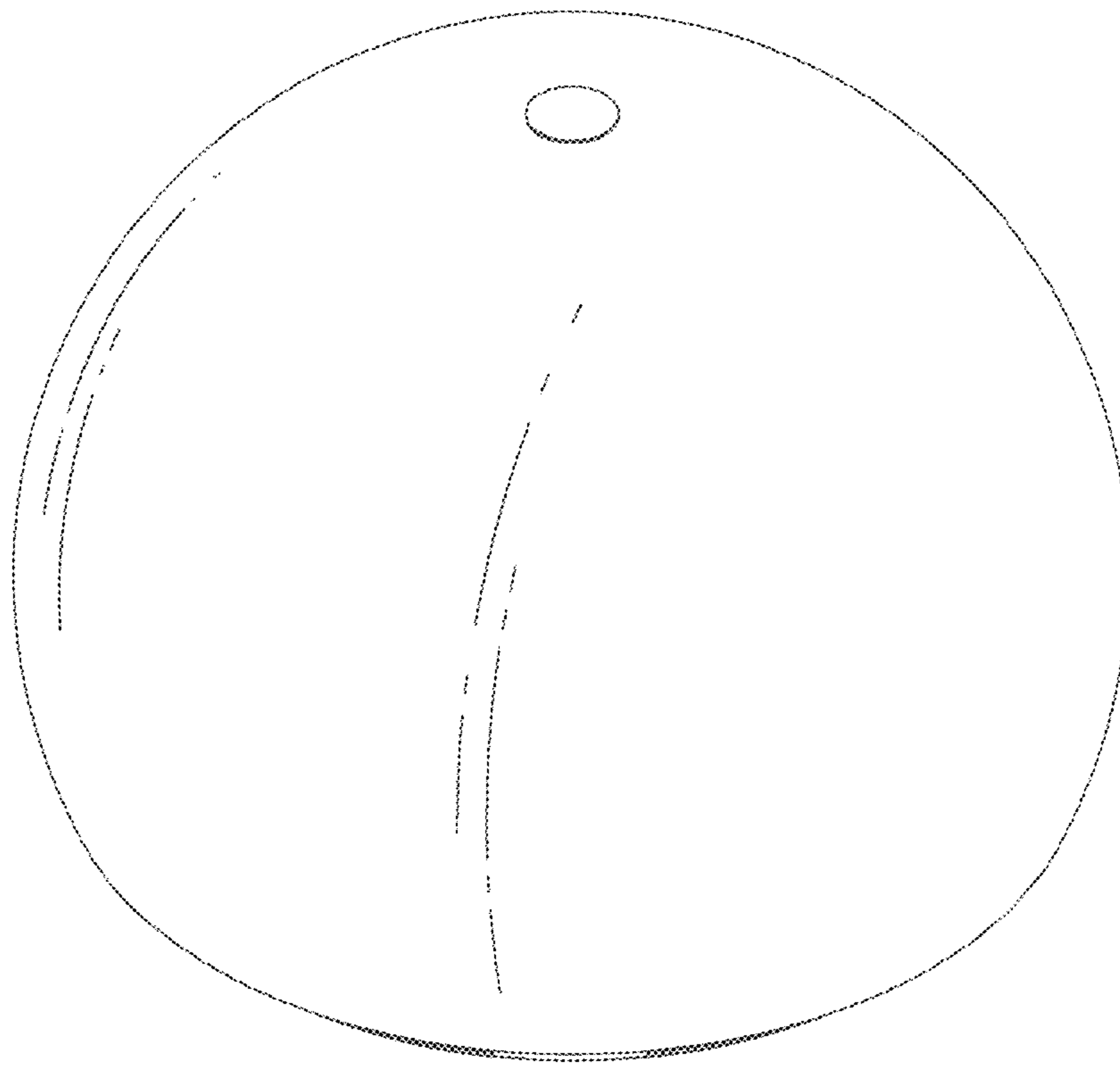


Fig. 1

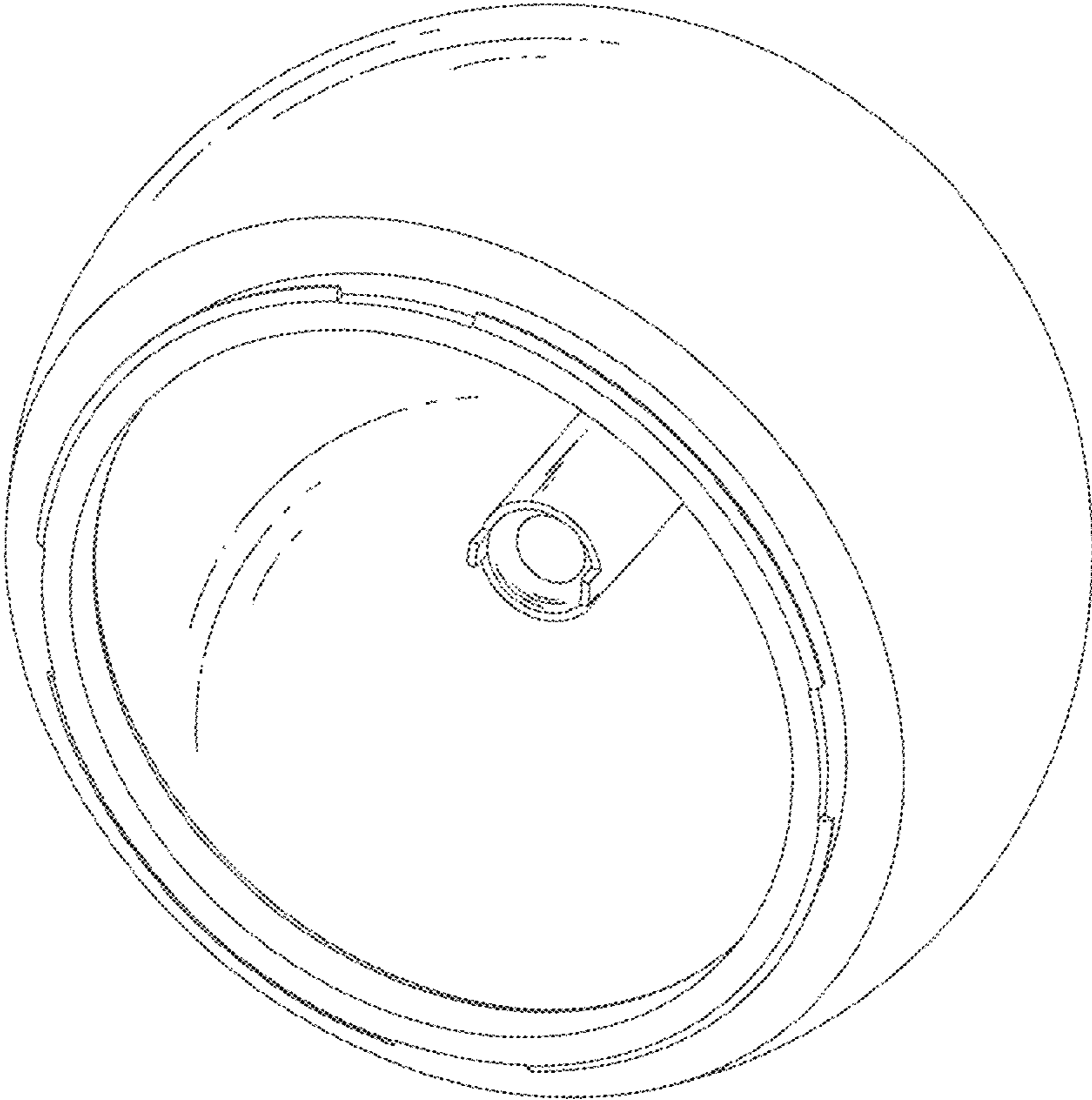


Fig. 2

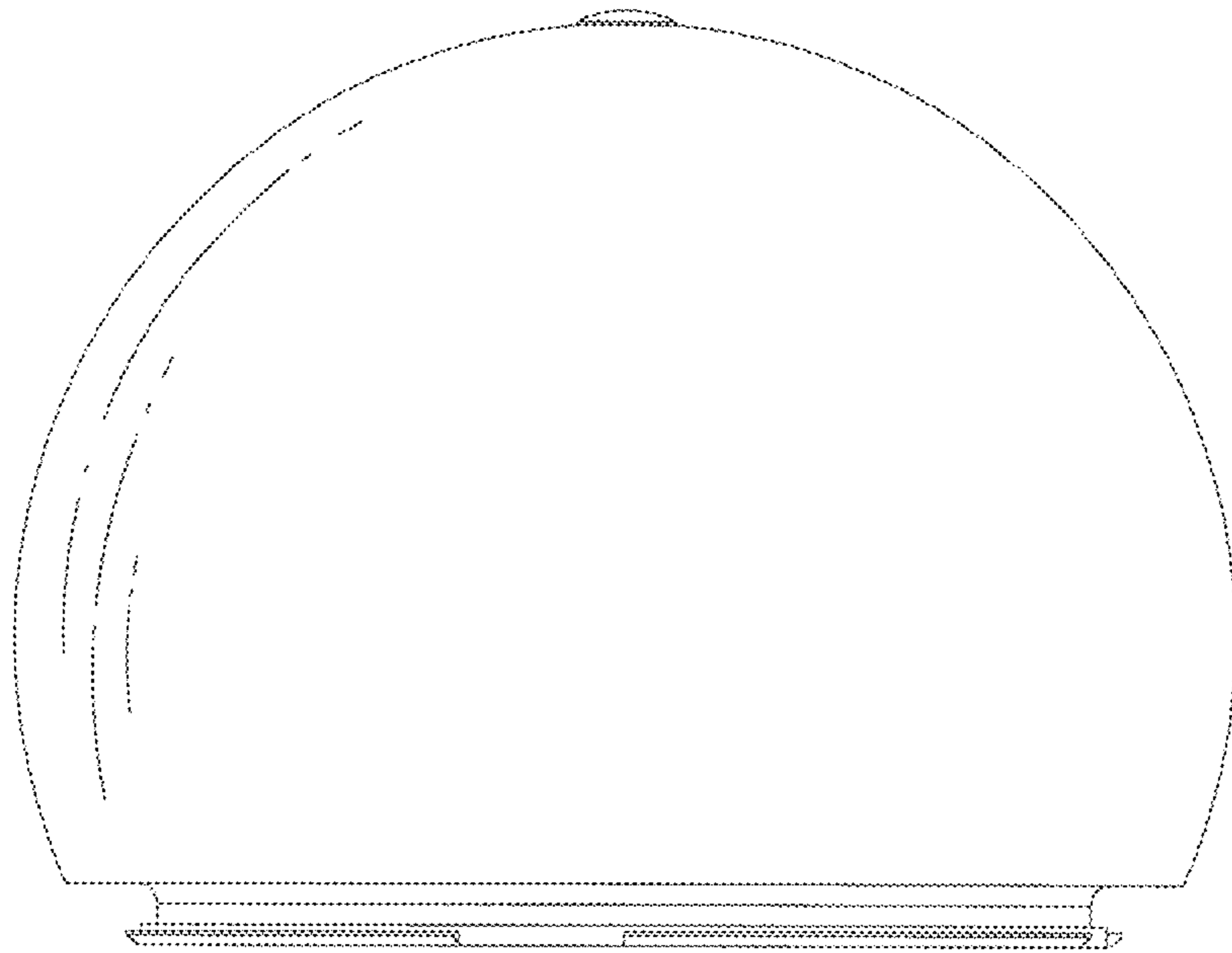


Fig. 3

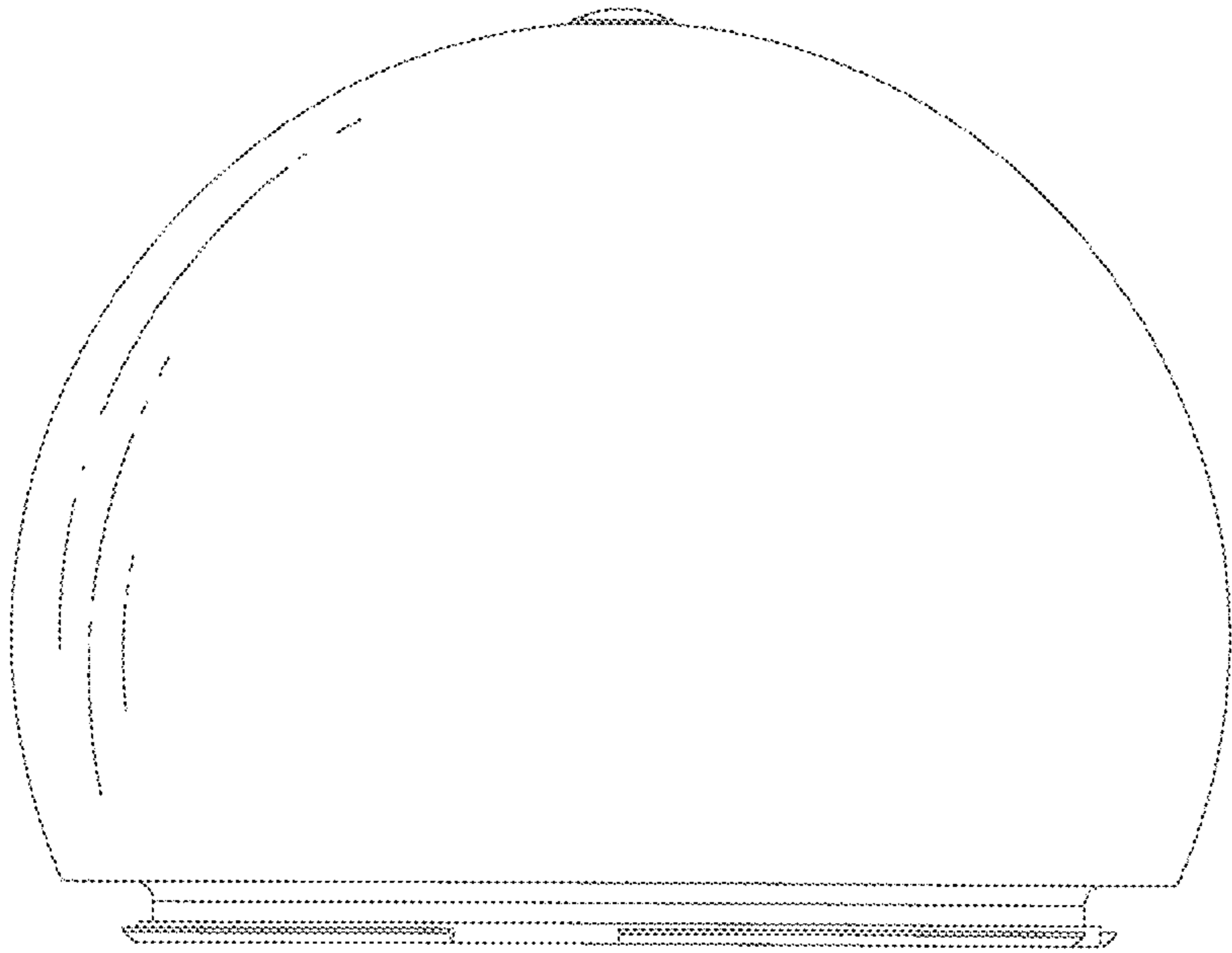


Fig. 4

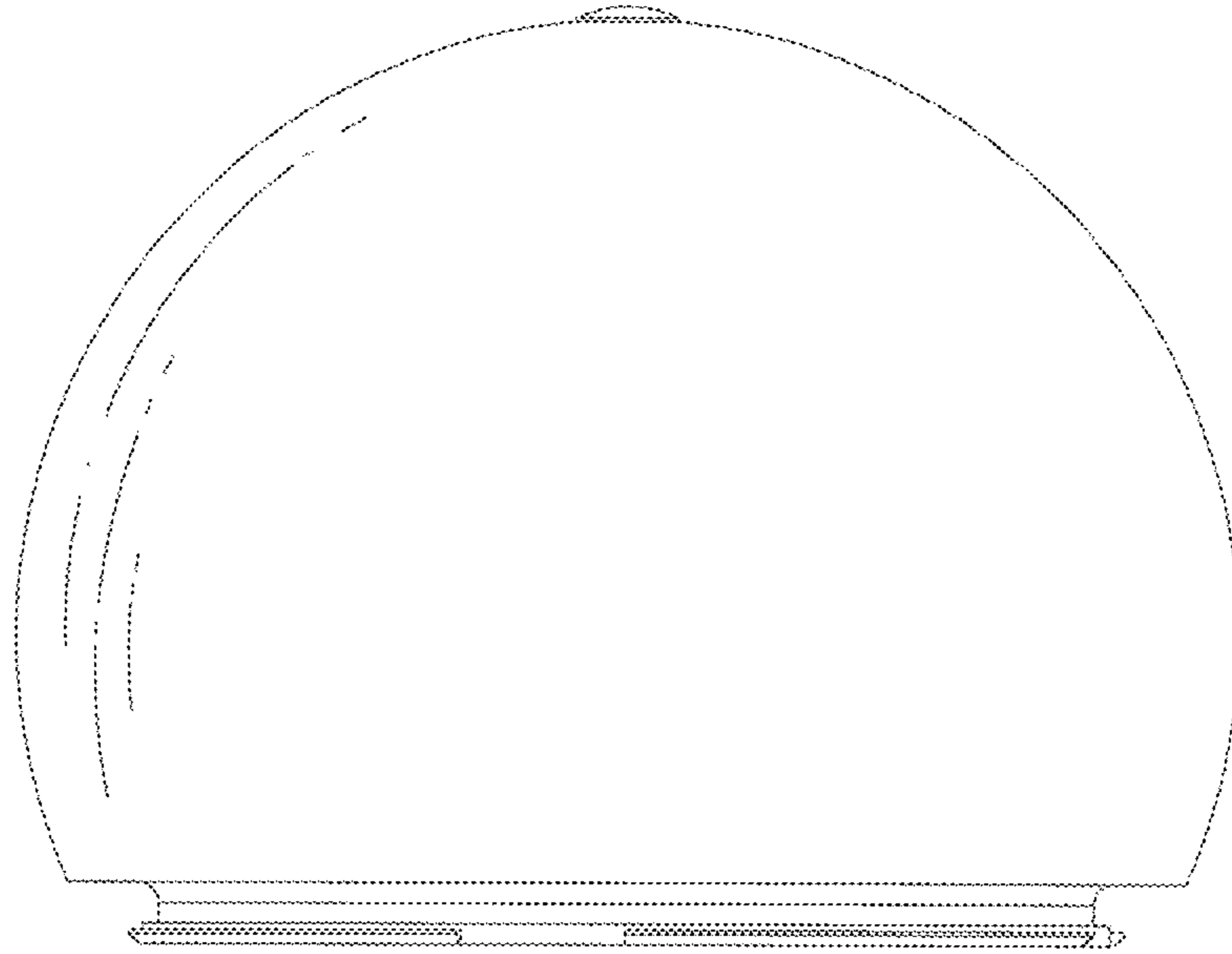


Fig. 5

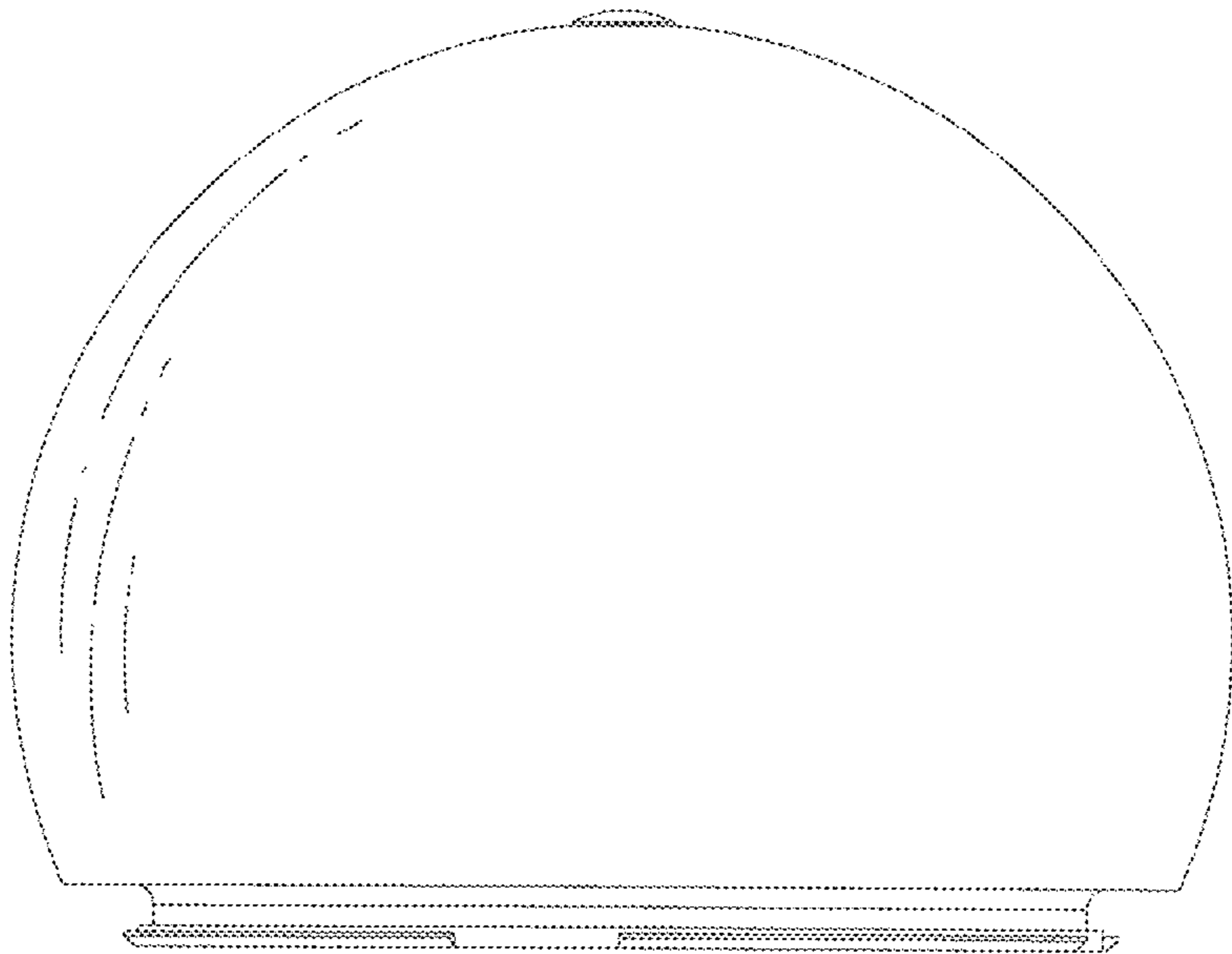


Fig. 6

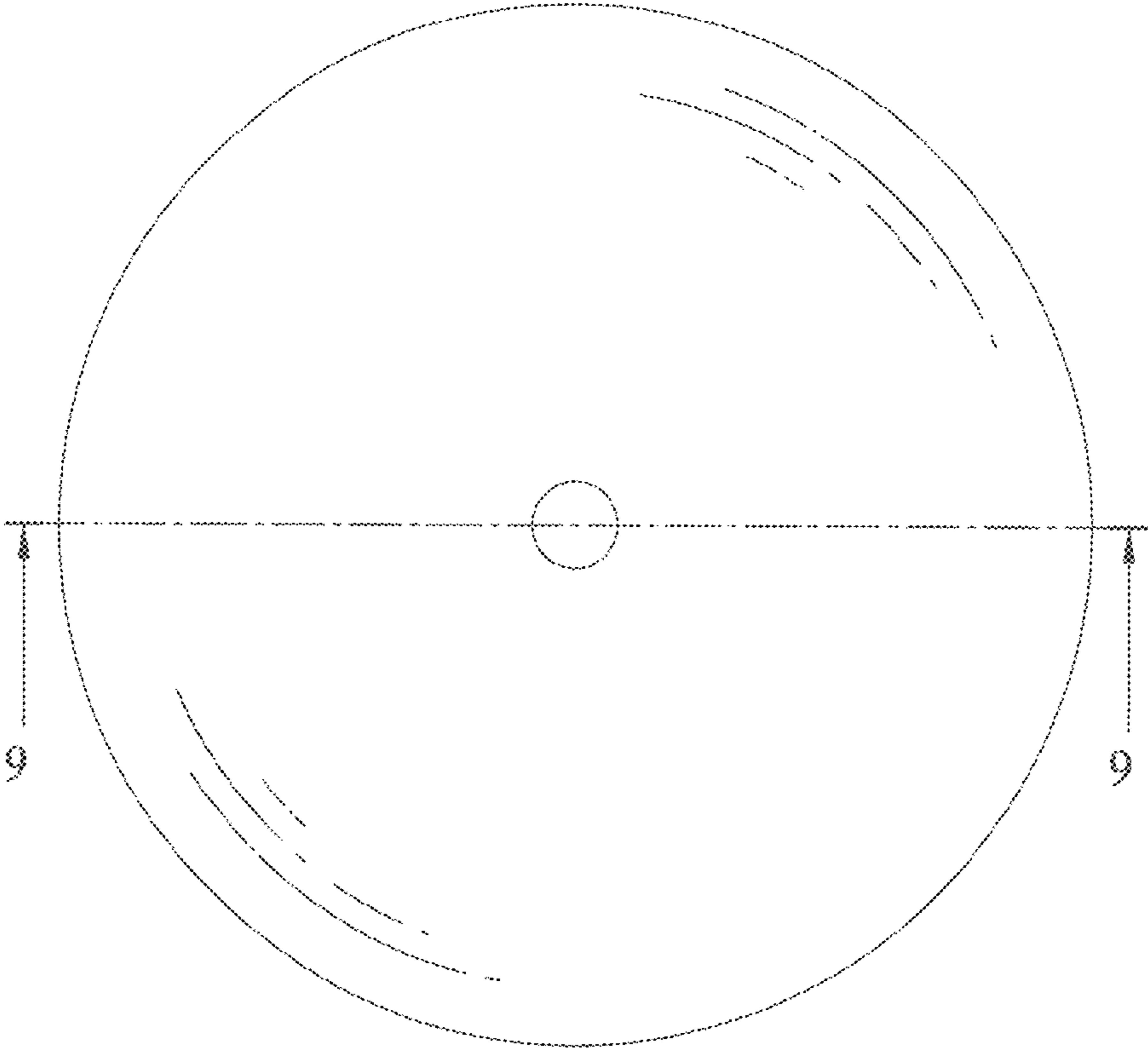


Fig. 7

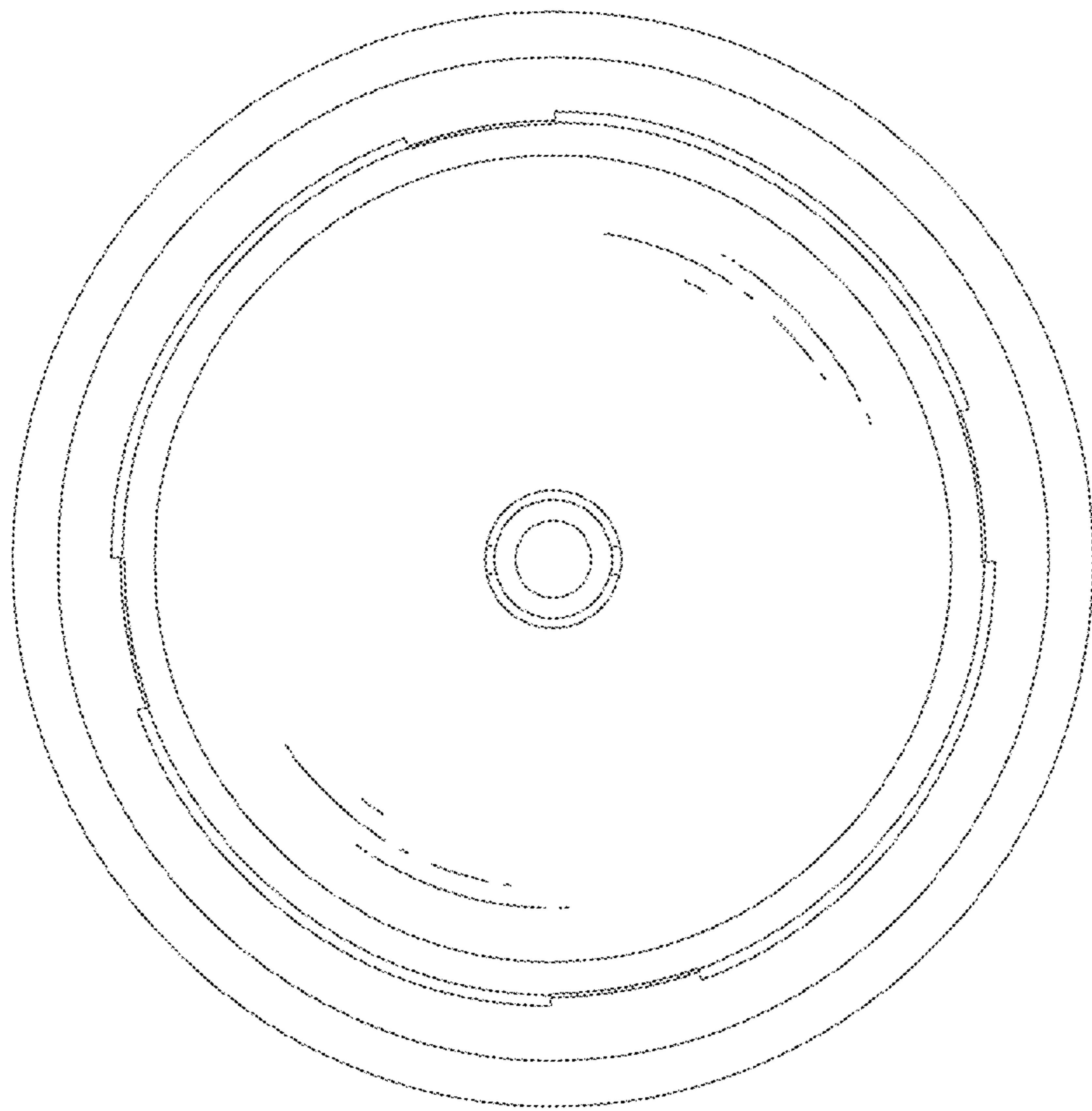


Fig. 8

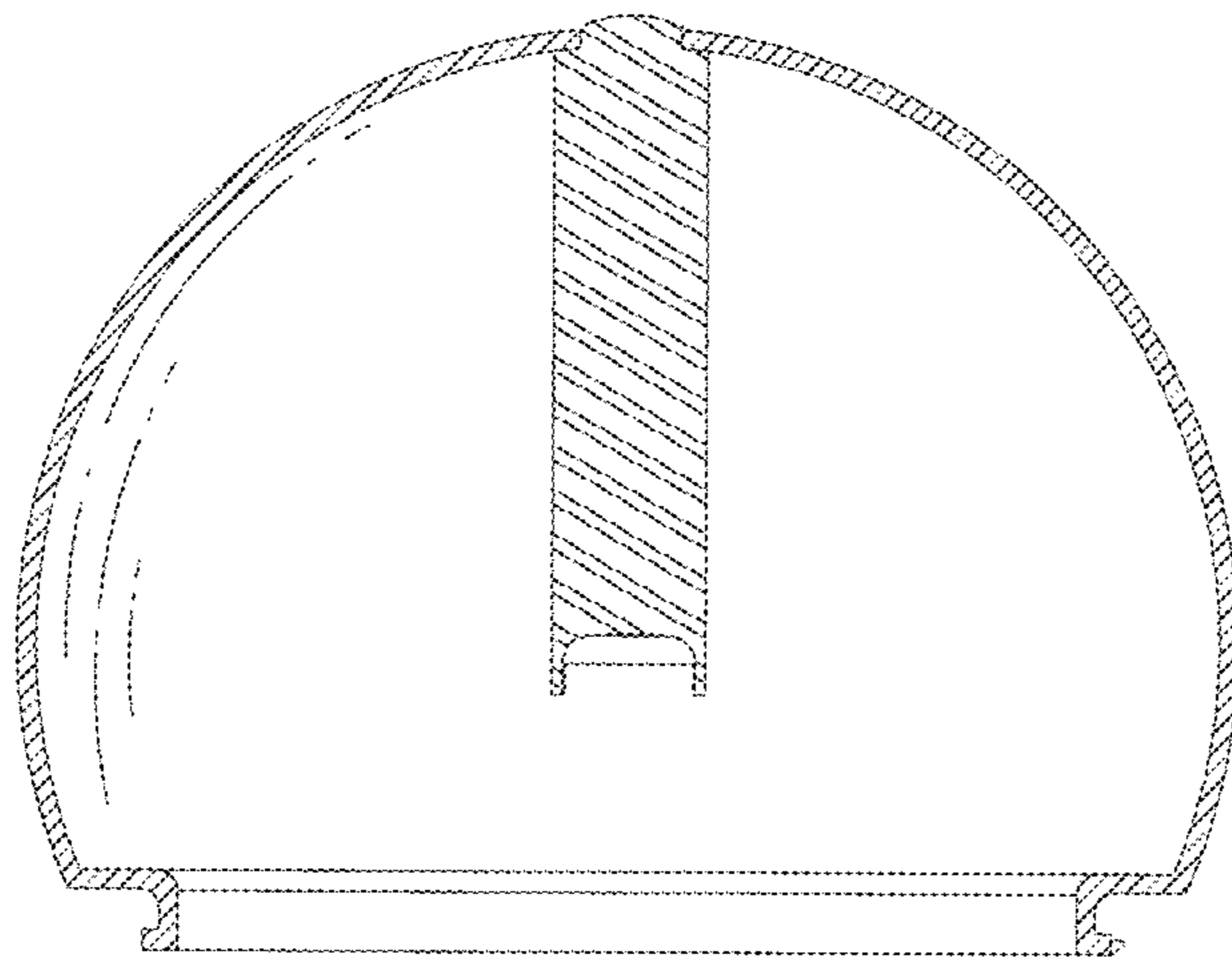


Fig. 9