



US00D794865S

(12) **United States Design Patent** (10) **Patent No.:** **US D794,865 S**  
**Davidson et al.** (45) **Date of Patent:** **\*\* Aug. 15, 2017**

(54) **LIGHT** 362/364–366, 368, 370–373, 640–644;  
D10/30, 32, 106.2, 111, 113.1, 113.2,  
(71) Applicant: **Knog Pty. Ltd.**, Richmond, Victoria  
(AU) D10/114.1; D14/204, 207, 213–216,  
D14/250–253, 255, 344, 348; D24/186,  
D24/187; D30/152  
(72) Inventors: **Hugo Davidson**, Richmond (AU);  
**Malcolm McKechnie**, Richmond (AU);  
**Jonathan Chan**, Richmond (AU); **Tim**  
**Besley**, Richmond (AU); **Kynan**  
**Taylor**, Richmond (AU); **Joelene Tee**,  
Richmond (AU); **Chris Bilanenko**,  
Richmond (AU)  
See application file for complete search history.

(73) Assignee: **Knog Pty. Ltd.** (AU)

(\*\*) Term: **15 Years**

(21) Appl. No.: **29/546,169**

(22) Filed: **Nov. 19, 2015**

**Related U.S. Application Data**

(63) Continuation of application No. 29/480,161, filed on  
Jan. 23, 2014, now Pat. No. Des. 746,494, which is a  
continuation of application No. 29/414,544, filed on  
Feb. 29, 2012, now Pat. No. Des. 705,980.

**Foreign Application Priority Data**

Aug. 31, 2011 (CA) ..... 142030

(51) **LOC (10) Cl.** ..... **26-99**

(52) **U.S. Cl.**  
USPC ..... **D26/118**

(58) **Field of Classification Search**  
USPC ..... D26/1–4, 24–26, 28, 34, 37–39, 43–45,  
D26/50, 60, 61, 66–74, 85, 88, 89, 93,  
D26/94, 104, 105, 108, 109, 113,  
D26/118–125, 138, 142; 362/3, 4, 8,  
362/145, 147, 150, 249.01–249.05,  
362/296.01, 296.05, 317, 326, 327, 330,  
362/331, 334, 335, 341, 347, 362,

(56) **References Cited**

**U.S. PATENT DOCUMENTS**

1,980,351 A	11/1934	Osterman	
D273,009 S *	3/1984	Isaacs	D24/187
D340,777 S	10/1993	Choi et al.	
D340,778 S	10/1993	Oberlander	
D345,022 S	3/1994	Hamasaki	
D361,143 S	8/1995	Helvey	

(Continued)

*Primary Examiner* — Brian N. Vinson

(74) *Attorney, Agent, or Firm* — Saidman DesignLaw  
Group, LLC

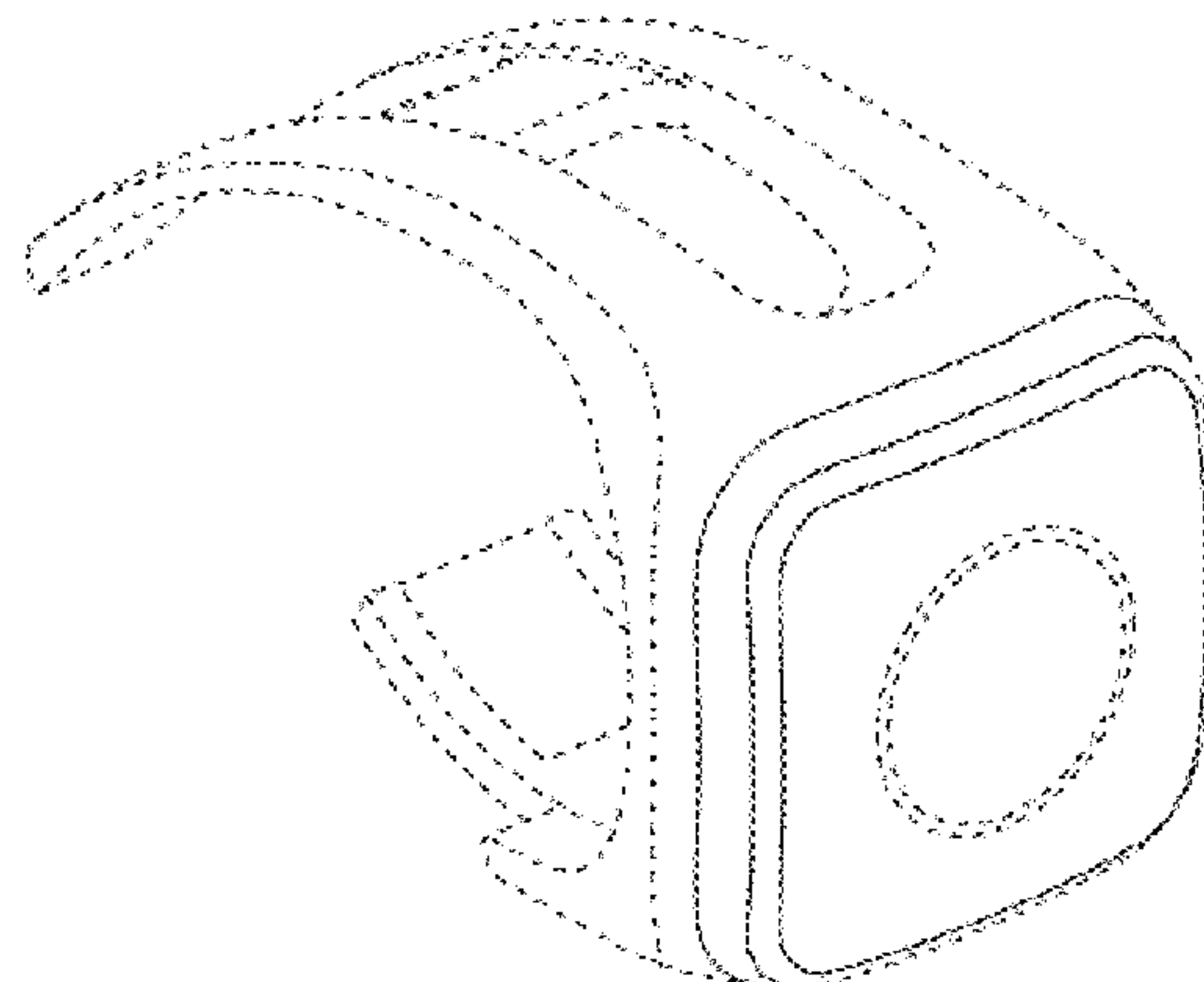
(57) **CLAIM**

The ornamental design for a light, as shown and described.

**DESCRIPTION**

FIG. 1 is a front perspective view of a light showing our new  
design;  
FIG. 2 is a front view thereof;  
FIG. 3 is a rear view thereof;  
FIG. 4 is a top view thereof;  
FIG. 5 is a bottom view thereof;  
FIG. 6 is a right side view thereof;  
FIG. 7 is a left side view thereof;  
FIG. 8 is a rear perspective view thereof; and,  
FIG. 9 is a front perspective view thereof.  
The broken lines illustrate portions of the light and form no  
part of the claimed design.

**1 Claim, 1 Drawing Sheet**



(56)

References Cited

U.S. PATENT DOCUMENTS

D362,312 S	9/1995	Chen	
D362,920 S	10/1995	Schwartz	
D371,617 S	7/1996	Anwyl-Davies	
D394,720 S	5/1998	Yuen	
D411,894 S	7/1999	Rick	
D450,145 S	11/2001	Krieger et al.	
6,388,871 B1 *	5/2002	Masui .....	D10/98
D461,266 S	8/2002	Siu Cheong et al.	
D492,052 S	6/2004	Schnell	
6,805,460 B1	10/2004	Zoller et al.	
6,955,444 B2	10/2005	Gupta	
7,185,997 B2	3/2007	Simoni	
D548,113 S *	8/2007	Burton .....	D10/32
D553,512 S *	10/2007	Tang .....	D10/32
D564,694 S *	3/2008	Southern, Jr. ....	D26/85
D574,090 S *	7/2008	Takada et al. ....	D26/1
D590,083 S	4/2009	Petzl	
D592,781 S	5/2009	Petzl	
D592,782 S	5/2009	Hine et al.	
7,540,623 B2	6/2009	Petzl et al.	
D597,676 S	8/2009	Copeland et al.	
D598,144 S *	8/2009	Ko .....	D26/28
D611,632 S	3/2010	Diehl	
D612,278 S *	3/2010	McKechnie .....	D10/98
D615,678 S	5/2010	DeBrunner	
7,850,329 B2 *	12/2010	Henry et al. ....	362/191
D631,552 S	1/2011	Kasabach et al.	
7,922,349 B2	4/2011	Hunnewell et al.	
D637,094 S *	5/2011	Cobbett et al. ....	D10/32
D638,964 S	5/2011	Cappuccio	
D640,822 S *	6/2011	Wildner .....	D26/89
D658,323 S	4/2012	Freschl	
D665,952 S	8/2012	Guo	
D672,893 S	12/2012	Inskeep	
D674,944 S	1/2013	Bertken	
D683,489 S	5/2013	Lee	
D685,510 S	7/2013	Henry et al.	
D686,201 S *	7/2013	Lee .....	D14/314
D697,244 S	1/2014	McKechnie et al.	
D705,980 S	5/2014	Davidson et al.	
2003/0116101 A1	6/2003	Kim et al.	
2003/0122678 A1	7/2003	Duncan et al.	
2007/0076410 A1	4/2007	Halasz	
2012/0033415 A1	2/2012	Sharrah et al.	
2012/0155656 A1	6/2012	Noguchi	
2012/0182755 A1 *	7/2012	Wildner .....	362/249.04
2013/0148339 A1	6/2013	Noble	

\* cited by examiner

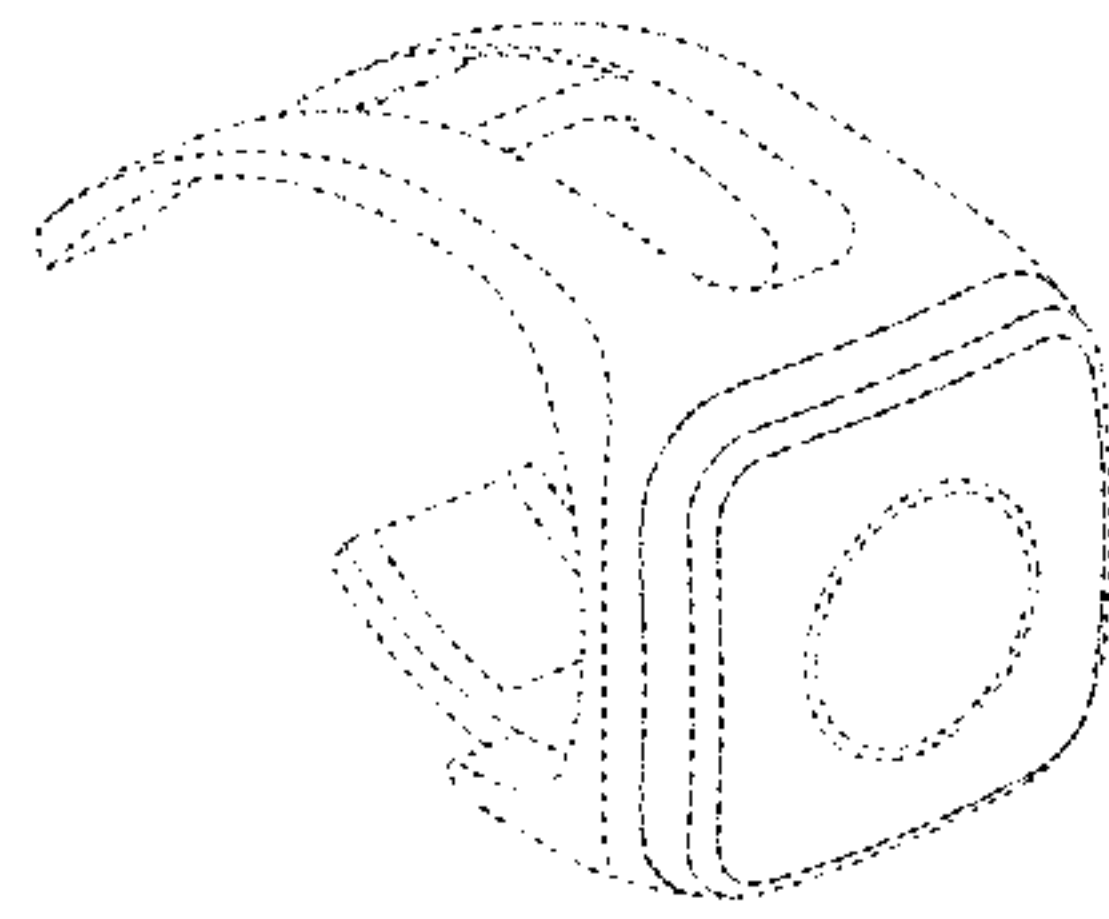


FIG. 1

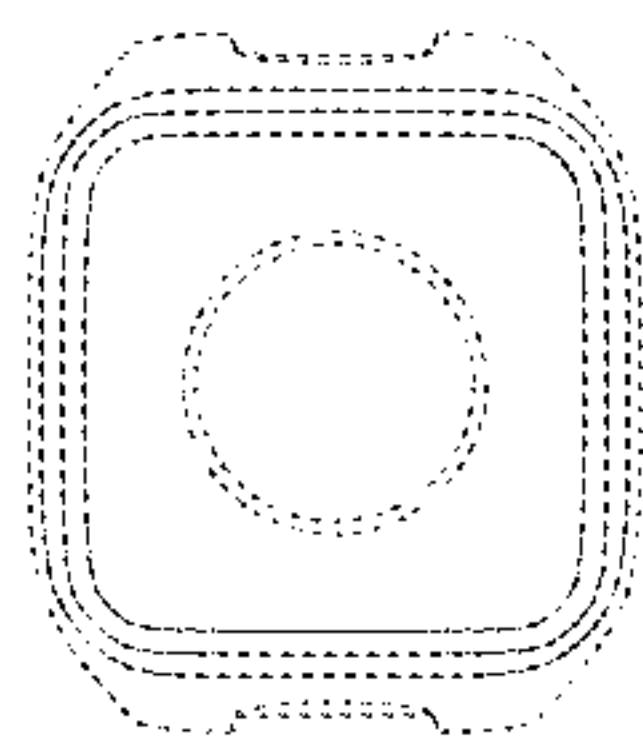


FIG. 2

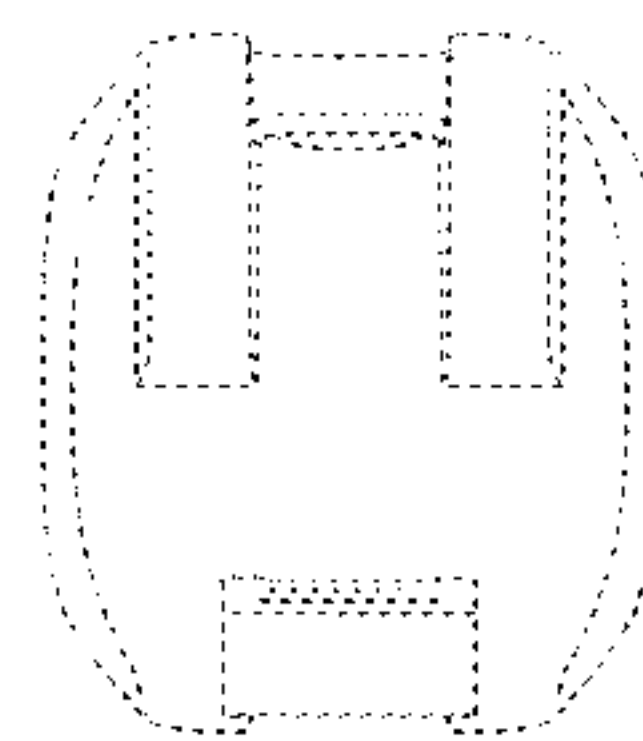


FIG. 3

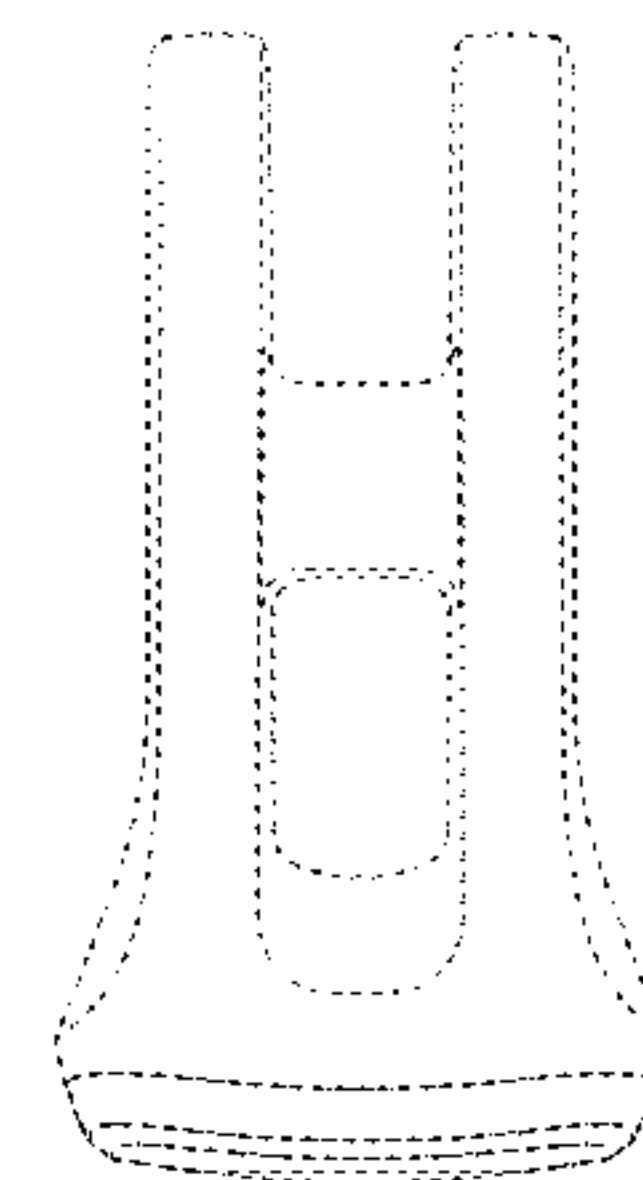


FIG. 4

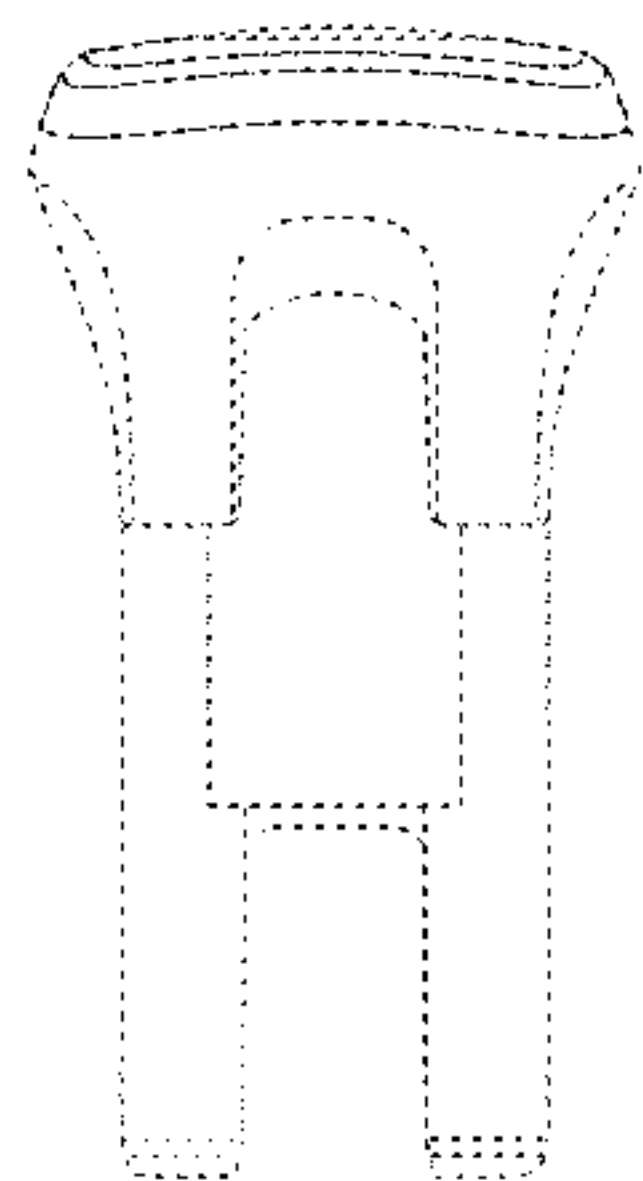


FIG. 5

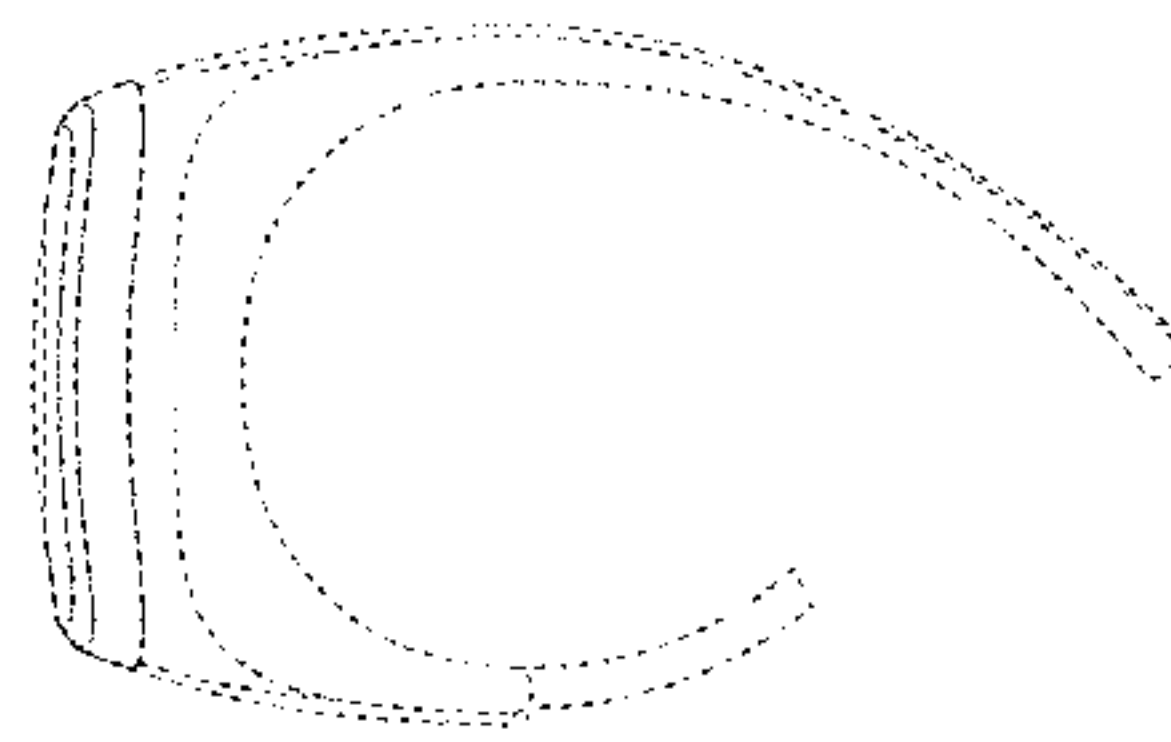


FIG. 6

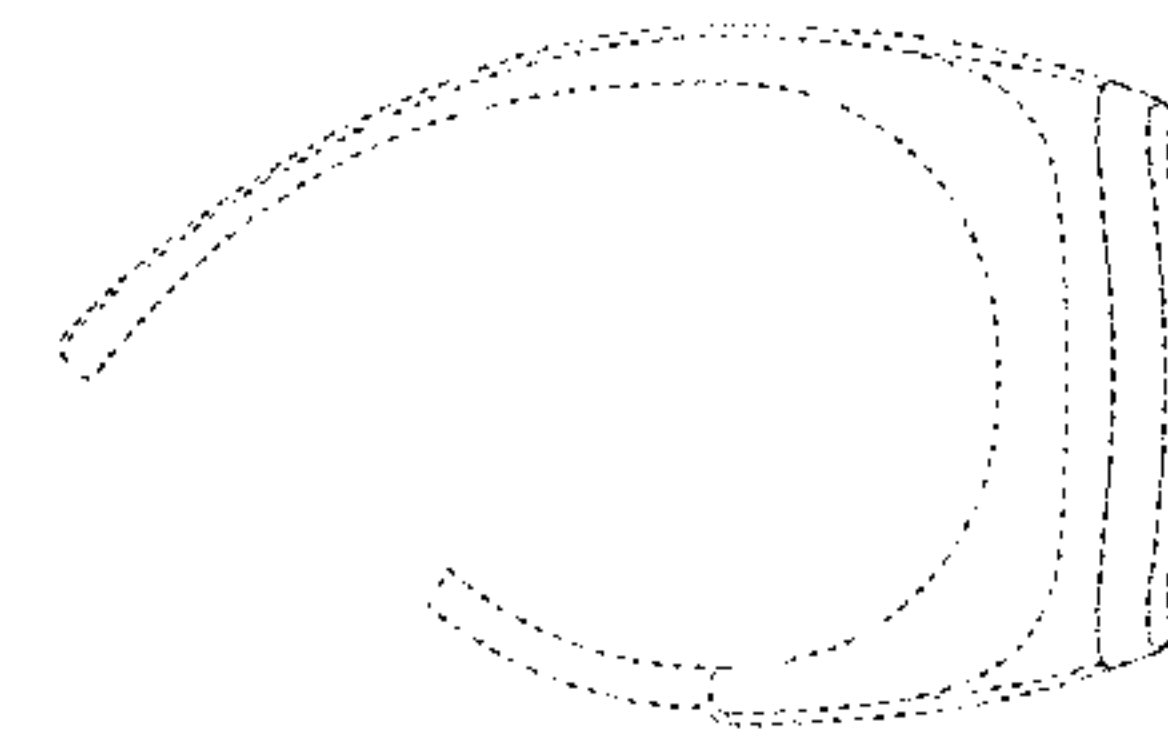


FIG. 7

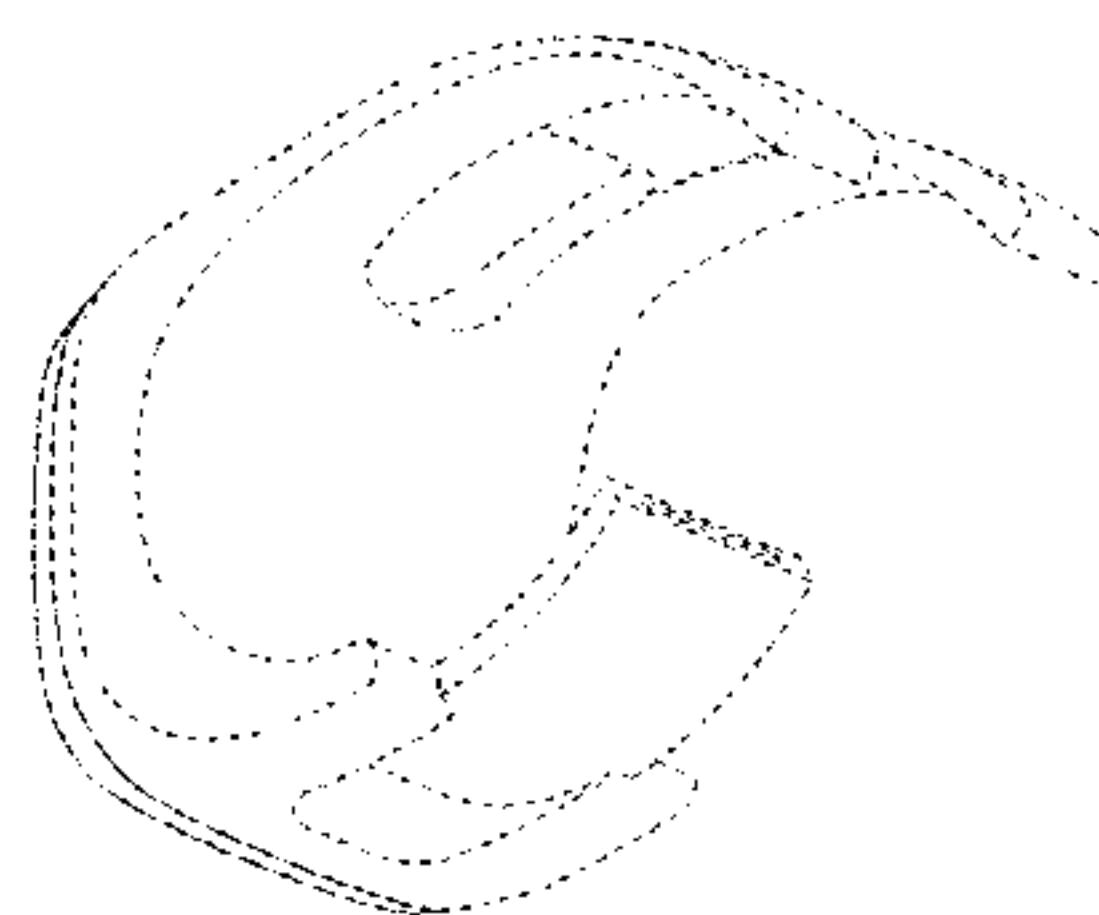


FIG. 8

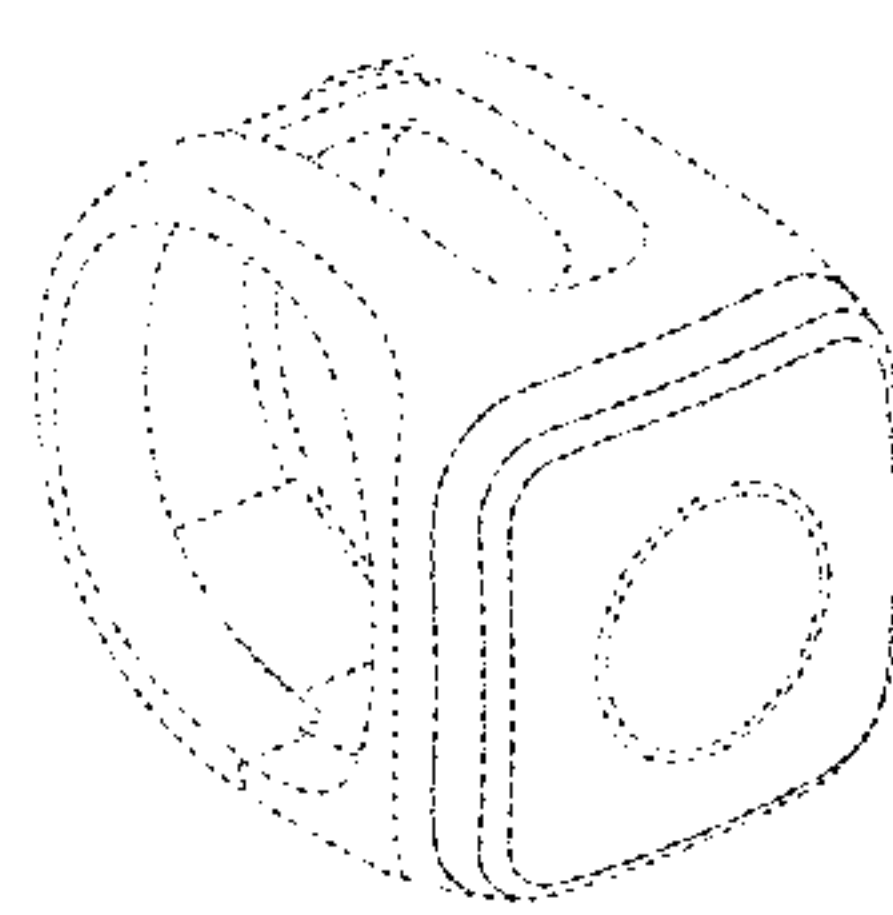


FIG. 9