

US00D794863S

(12) **United States Design Patent** (10) **Patent No.:** **US D794,863 S**
Sonneman (45) **Date of Patent:** **** Aug. 15, 2017**

- (54) **WALL MOUNTED LIGHT FIXTURE WITH SUSPENDERS**
- (71) Applicant: **Robert A. Sonneman**, Mamaroneck, NY (US)
- (72) Inventor: **Robert A. Sonneman**, Mamaroneck, NY (US)
- (**) Term: **15 Years**
- (21) Appl. No.: **29/551,249**
- (22) Filed: **Jan. 12, 2016**
- (51) **LOC (10) Cl.** **26-03**
- (52) **U.S. Cl.**
USPC **D26/87**
- (58) **Field of Classification Search**
USPC D26/76, 81, 83, 84, 86, 87, 88, 90, 91, D26/92, 118, 138, 145, 153-155
CPC F21S 8/04; F21S 8/043; F21S 8/046; F21S 8/06; F21S 8/061; F21S 8/063; F21S 8/065
See application file for complete search history.

(56) **References Cited**

U.S. PATENT DOCUMENTS

D33,191 S	*	9/1900	Crary	D26/145
D93,926 S	*	11/1934	Kanter	D26/63
D299,762 S	*	2/1989	King	D26/87
D302,480 S	*	7/1989	Mauk	D26/87
D317,058 S		5/1991	Sonneman		
D320,465 S		10/1991	Sonneman		
D365,170 S	*	12/1995	Ng	D26/138
D373,213 S	*	8/1996	Porter	D26/84
D384,764 S	*	10/1997	Littman	D26/76
D386,810 S	*	11/1997	Porter	D26/145
D474,304 S	*	5/2003	Mier-Langner	D26/138
D510,452 S	*	10/2005	Porter	D26/80
D518,914 S	*	4/2006	Brunner	D26/142
D533,301 S	*	12/2006	Lee	D26/155
D573,299 S	*	7/2008	Fanning	D26/153

D575,892 S	*	8/2008	Chandler	D26/76
D576,339 S	*	9/2008	Porter	D26/80
D592,787 S	*	5/2009	Chandler	D26/81
D657,487 S	*	4/2012	Sabernig	D26/84
D671,670 S		11/2012	Sonneman		
D674,954 S	*	1/2013	Sonneman	D26/88
D698,075 S	*	1/2014	Klus	D26/138
D716,991 S	*	11/2014	Kitts	D26/88
D716,992 S	*	11/2014	Kitts	D26/88
D772,467 S	*	11/2016	Sonneman	D26/88
D772,468 S	*	11/2016	Sonneman	D26/90
D773,101 S	*	11/2016	Sonneman	D26/88
D773,718 S	*	12/2016	Sonneman	D26/90
D773,719 S	*	12/2016	Sonneman	D26/90
D775,397 S	*	12/2016	Sonneman	D26/90
D779,113 S	*	2/2017	Sonneman	D26/138
D779,712 S	*	2/2017	Sonneman	D26/138
D779,715 S	*	2/2017	Sonneman	D26/138

* cited by examiner

Primary Examiner — Clare E Heflin

(74) *Attorney, Agent, or Firm* — Gottlieb, Rackman & Reisman, P.C.

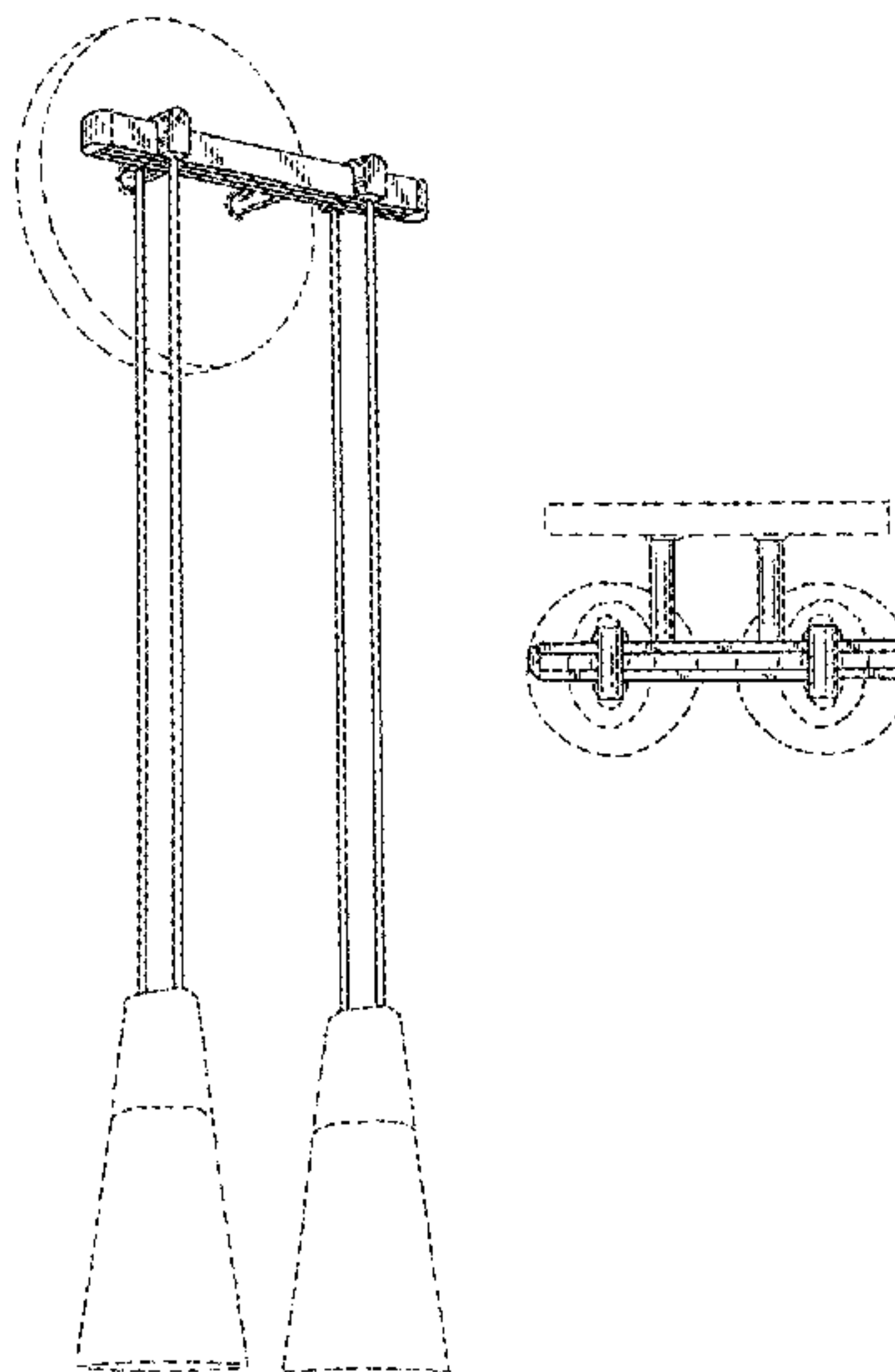
(57) **CLAIM**

The ornamental design for a wall mounted light fixture with suspenders, as shown and described.

DESCRIPTION

FIG. 1 is a perspective view of the wall mounted light fixture with suspenders showing my new design;
 FIG. 2 is a top plan view thereof;
 FIG. 3 is a front elevational view thereof;
 FIG. 4 is a right side elevational view thereof, the left side being a mirror image;
 FIG. 5 is the rear elevational view thereof; and,
 FIG. 6 is a bottom plan view thereof.
 The broken lines shown in the drawings are included for the purpose of illustrating portions of the article that form no part of the claimed design.

1 Claim, 4 Drawing Sheets



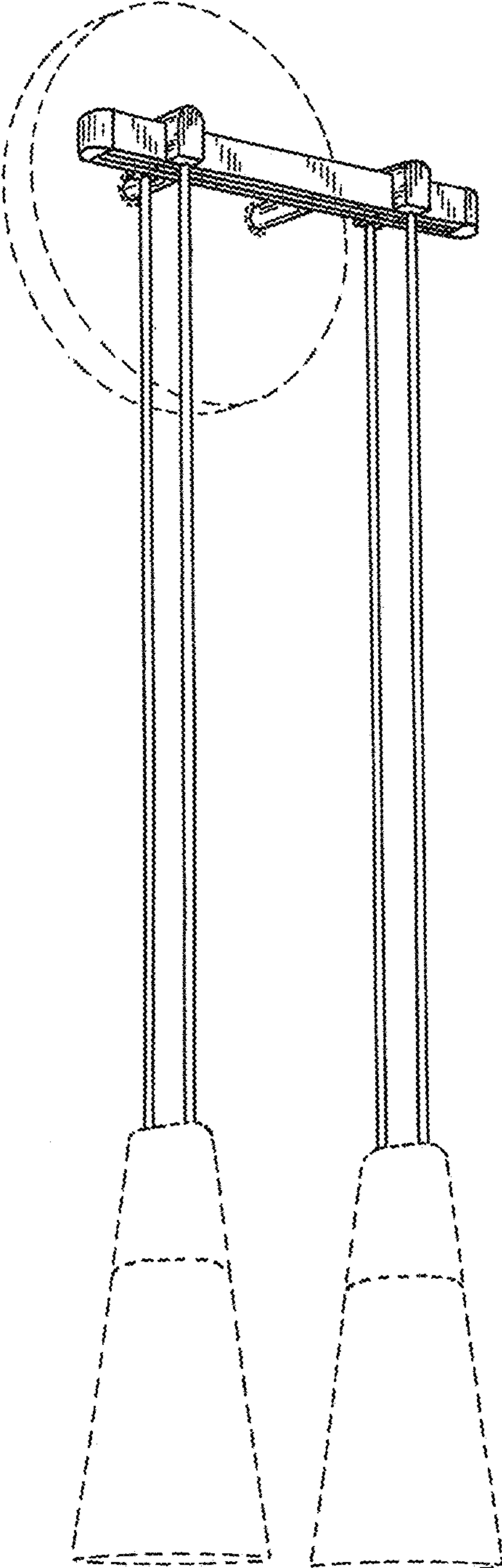


FIG. 1

FIG. 2

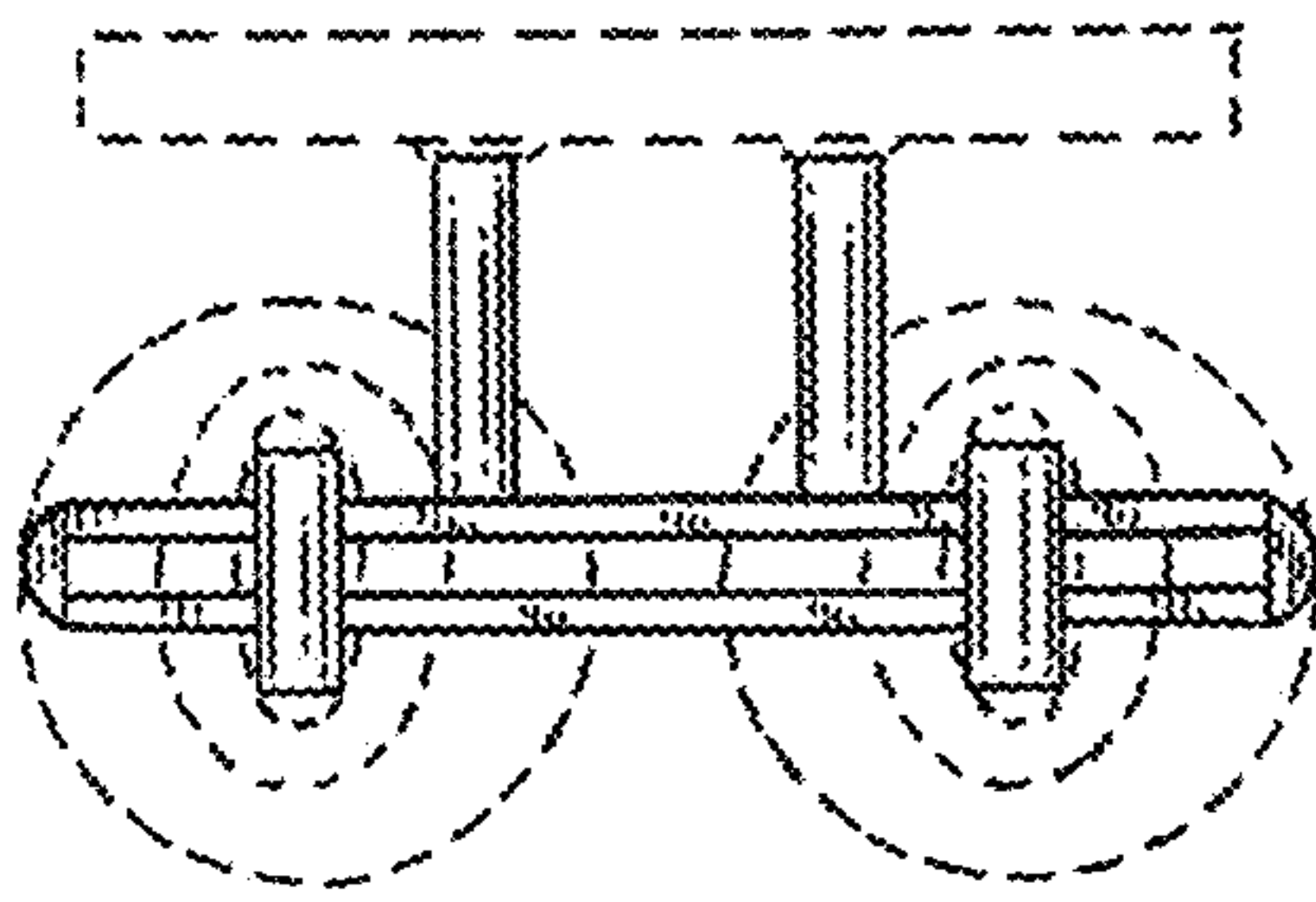
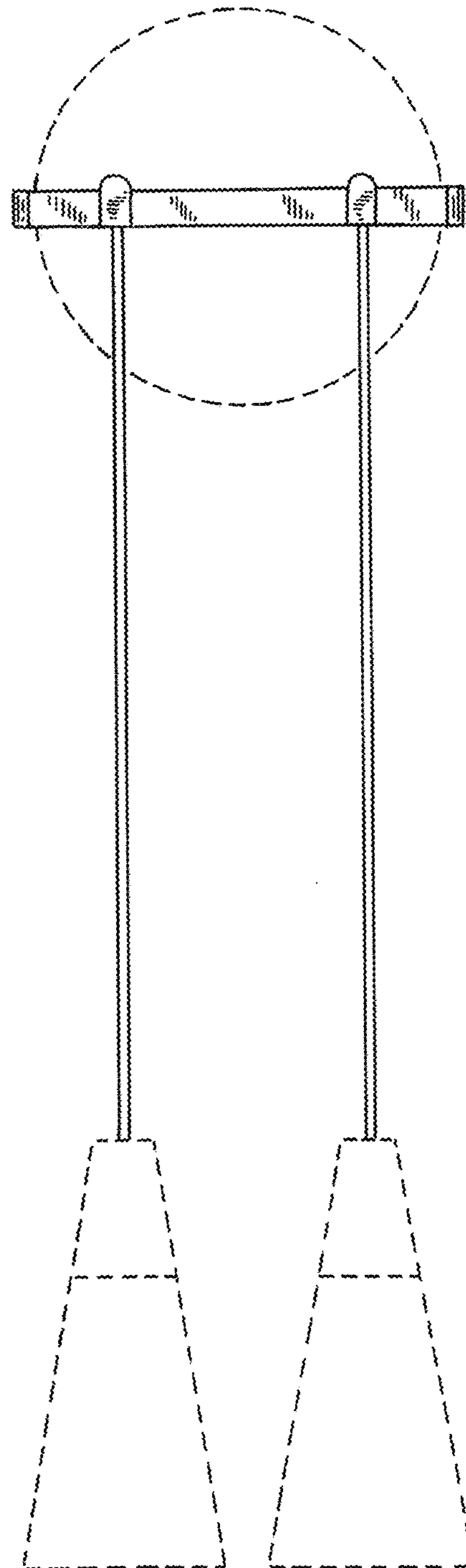


FIG. 3



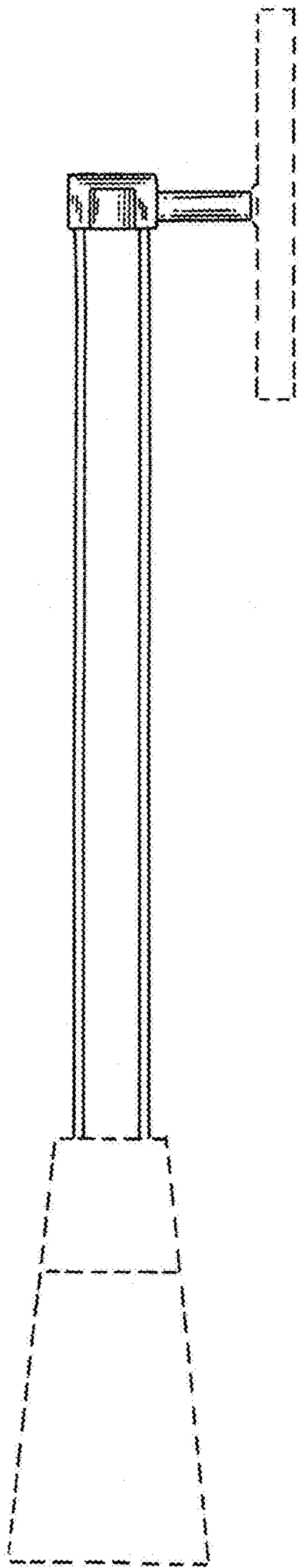


FIG. 4

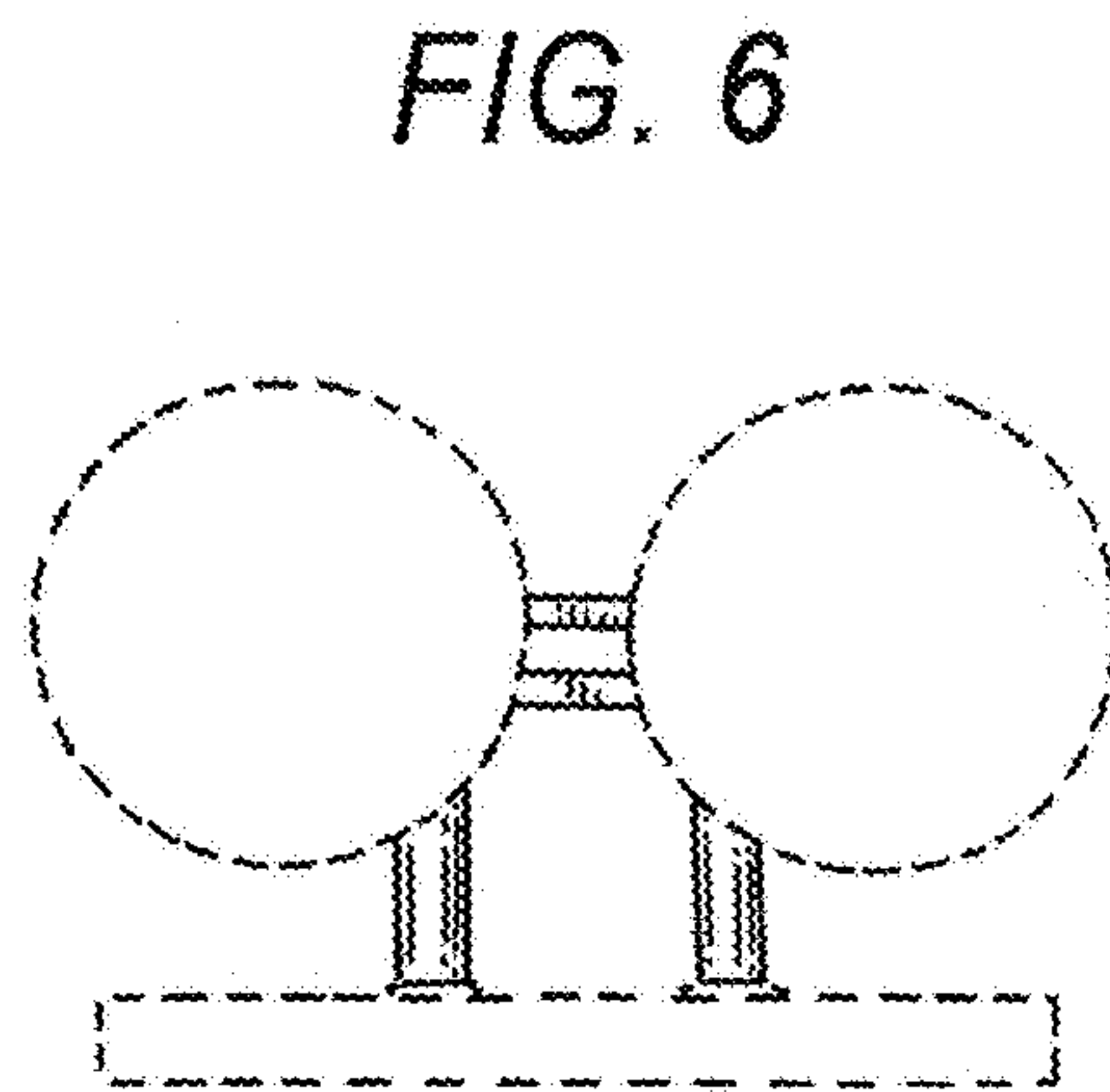


FIG. 6

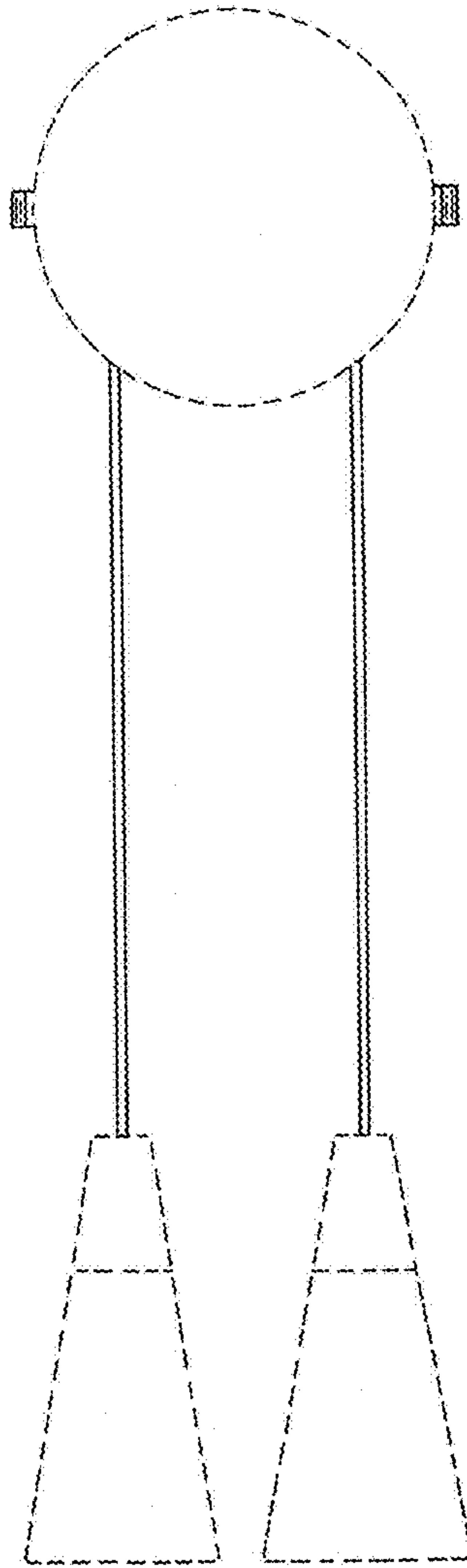


FIG. 5