



US00D794862S

(12) **United States Design Patent**
Baylar

(10) **Patent No.:** **US D794,862 S**

(45) **Date of Patent:** **** Aug. 15, 2017**

(54) **CEILING LIGHT**

(71) Applicant: **HUDSON FURNITURE, INC.**, New York, NY (US)

(72) Inventor: **Barlas Baylar**, New York, NY (US)

(73) Assignee: **HUDSON FURNITURE, INC.**, New York, NY (US)

(**) Term: **15 Years**

(21) Appl. No.: **29/562,613**

(22) Filed: **Apr. 27, 2016**

(51) **LOC (10) Cl.** **26-03**

(52) **U.S. Cl.**
USPC **D26/84; D26/88; D26/90**

(58) **Field of Classification Search**
USPC D26/63, 76, 81, 83, 84, 86, 87, 88, 90,
D26/91, 118, 128, 129, 130-134
CPC F21S 8/04; F21S 8/043; F21S 8/046; F21S
8/06; F21S 8/061; F21S 8/063; F21S
8/065

See application file for complete search history.

(56) **References Cited**

U.S. PATENT DOCUMENTS

D622,437 S *	8/2010	Crosby	D26/87
D633,643 S *	3/2011	De Lucchi	D26/88
D639,487 S *	6/2011	Baylar	D26/88
D655,437 S *	3/2012	Baylar	D26/81
D663,884 S *	7/2012	Baylar	D26/88
D695,944 S *	12/2013	Baylar	D26/88
D697,251 S *	1/2014	Baylar	D26/88

D712,586 S *	9/2014	Bassetti	D26/88
D776,856 S *	1/2017	Arbel	D26/88
D782,722 S *	3/2017	Kitts	D26/86

OTHER PUBLICATIONS

Trilliane Cluster Crystal 35 1/2inch-W Schonbek Pendant #EU5W345 from Euro Style Lighting. eurostylelighting.com visited Mar. 31, 2017.*

* cited by examiner

Primary Examiner — Clare E Heflin

(74) *Attorney, Agent, or Firm* — Hodgson Russ LLP

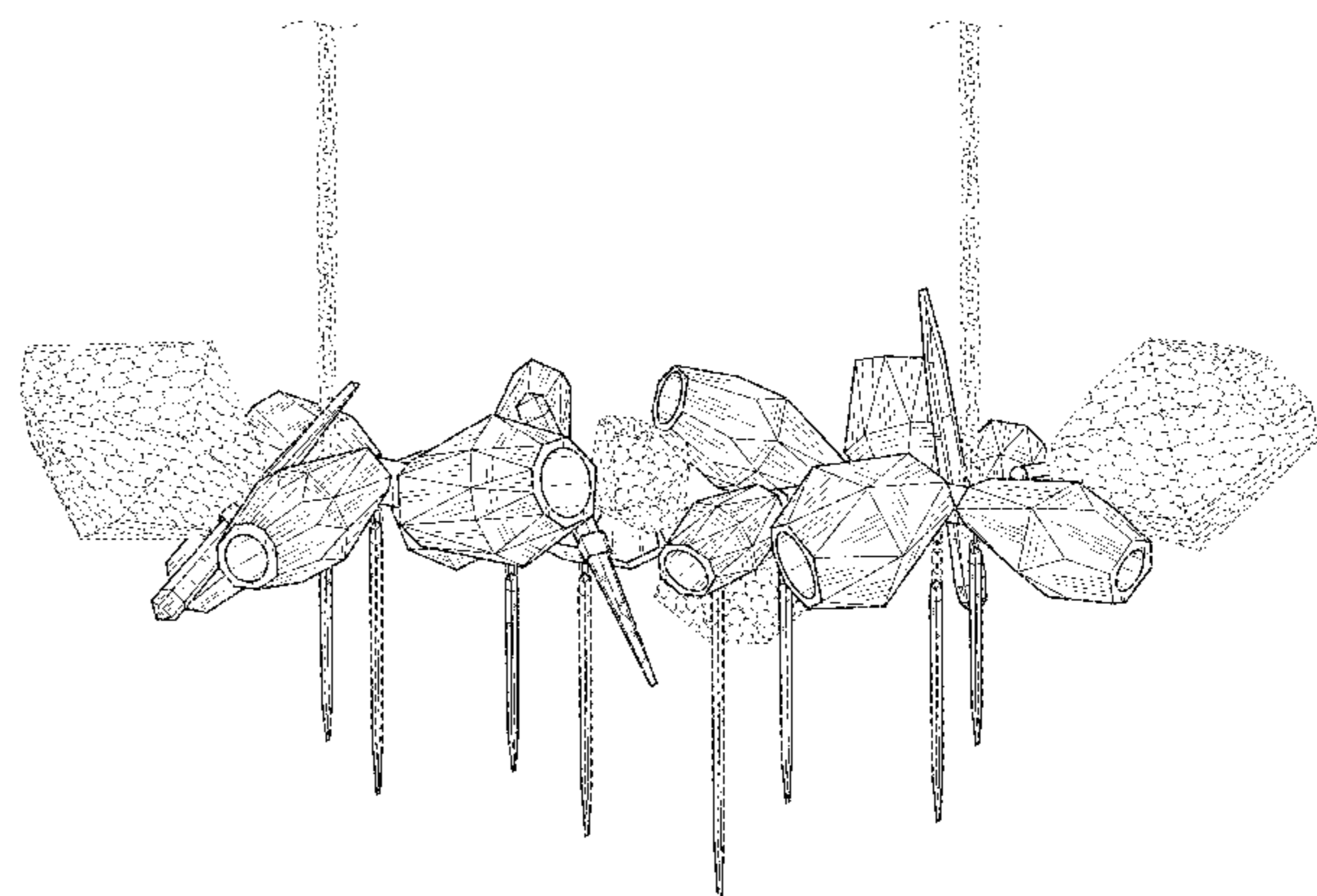
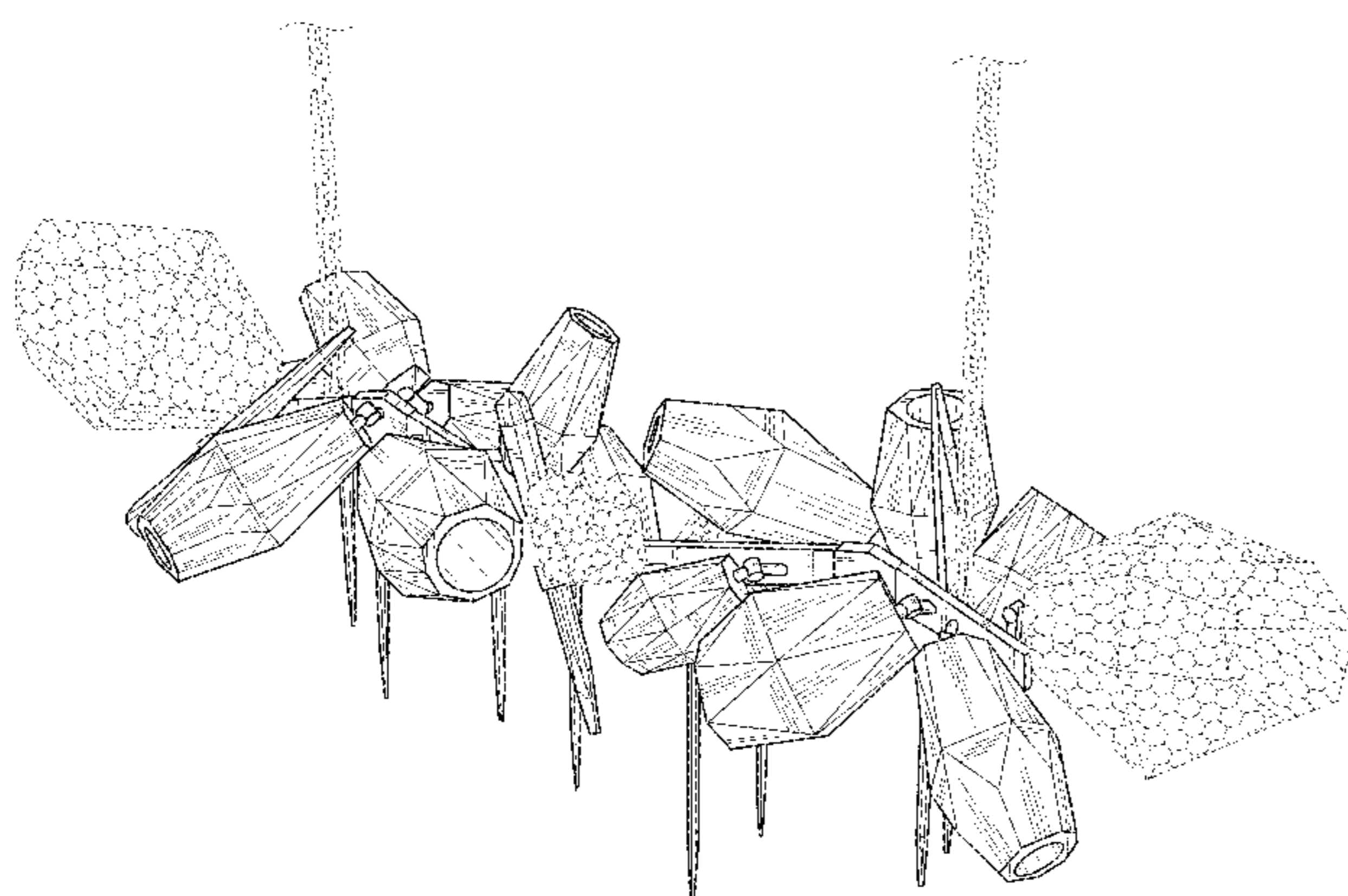
(57) **CLAIM**

The ornamental design for a ceiling light, as shown and described.

DESCRIPTION

FIG. 1 is a front-top-right perspective view of a ceiling light showing my new design;
FIG. 2 is a rear-top-left perspective view thereof;
FIG. 3 is a front-bottom-right perspective view thereof;
FIG. 4 is a rear-bottom-left perspective view thereof;
FIG. 5 is a front elevational view thereof;
FIG. 6 is a rear elevational view thereof;
FIG. 7 is a right side elevational view thereof;
FIG. 8 is a left side elevational view thereof;
FIG. 9 is a bottom view thereof; and,
FIG. 10 is a top view thereof.
The broken lines illustrate unclaimed portions of the ceiling light that form no part of the claimed design.

1 Claim, 10 Drawing Sheets



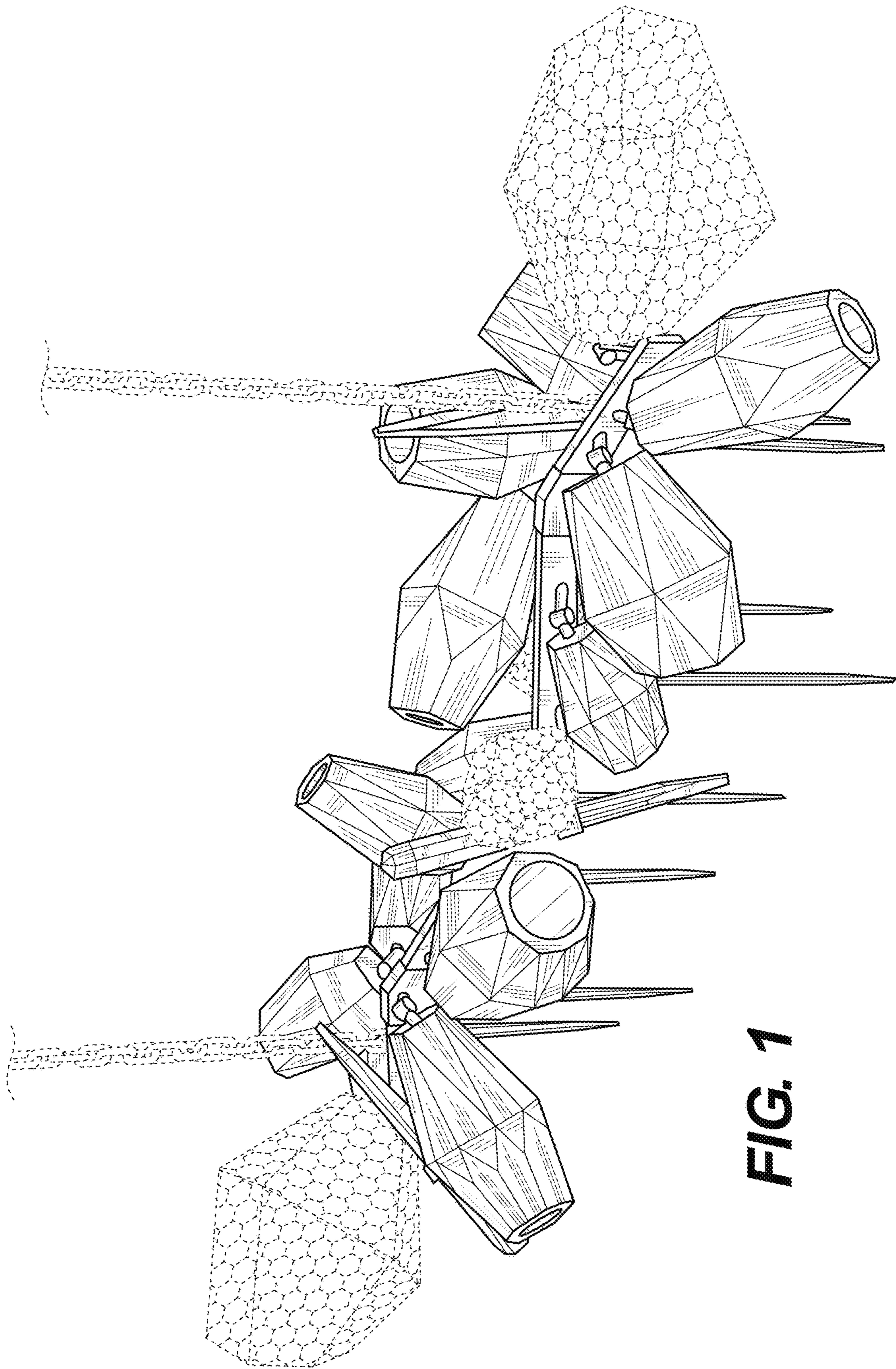


FIG. 1

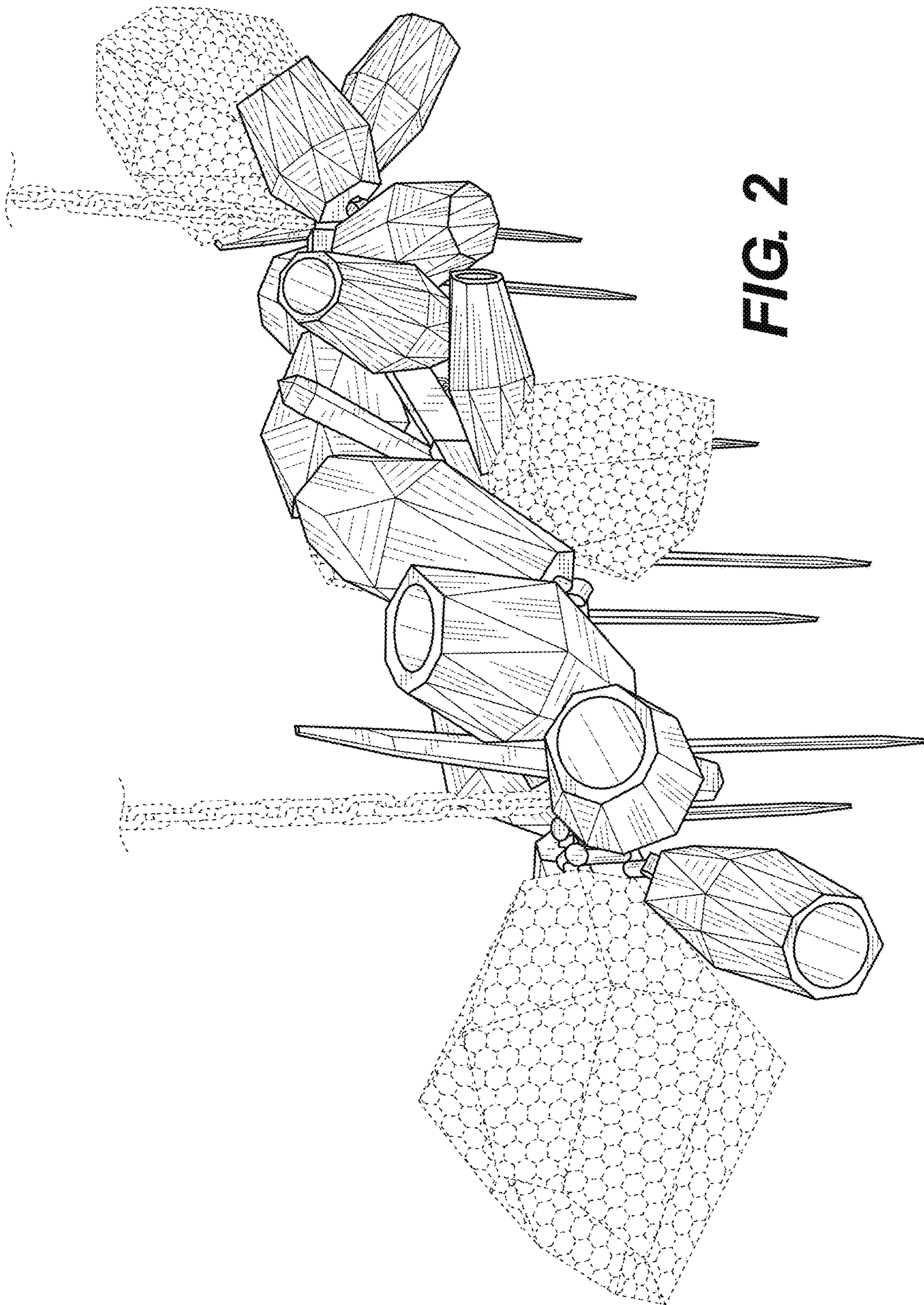


FIG. 2

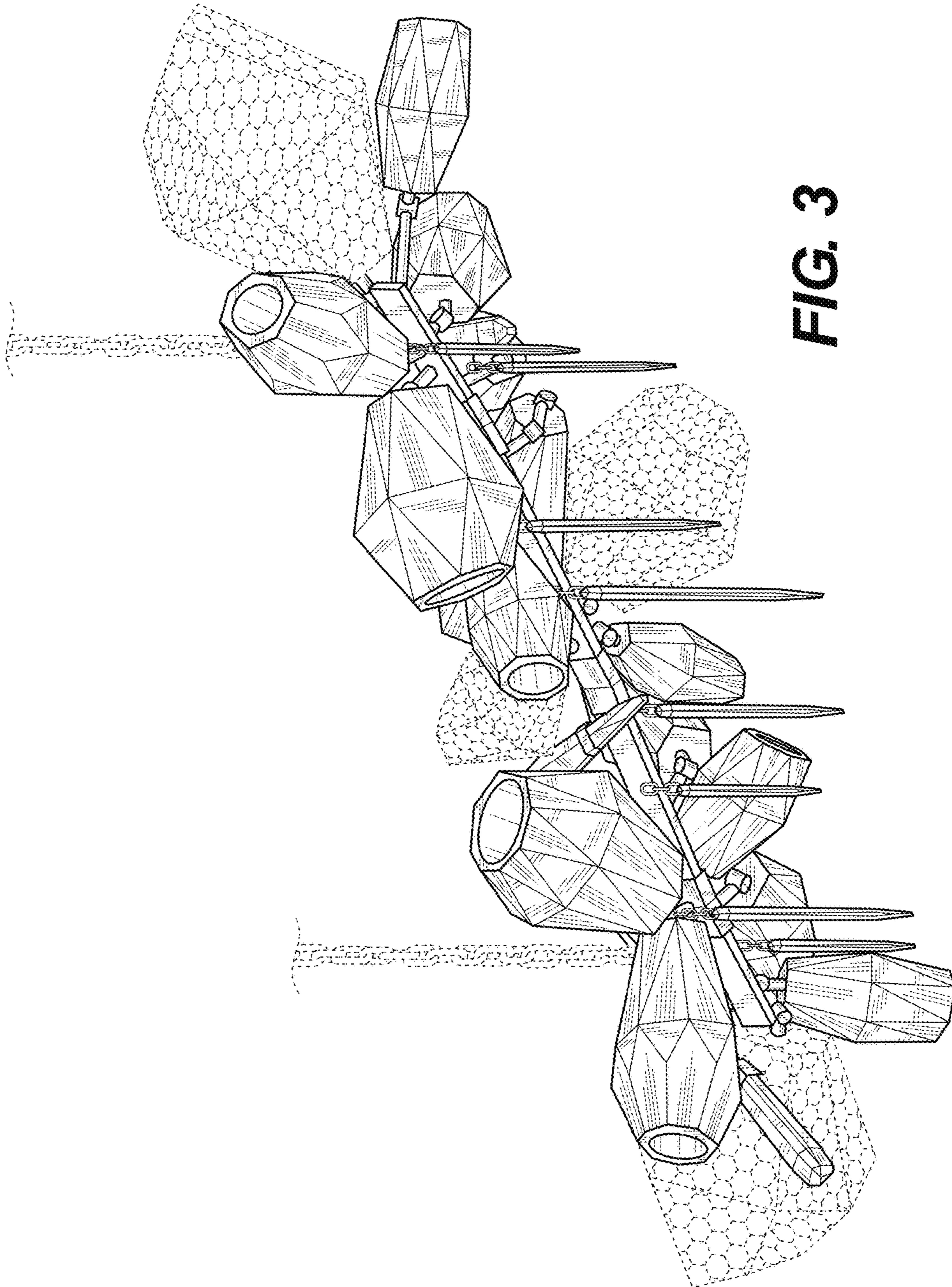


FIG. 3

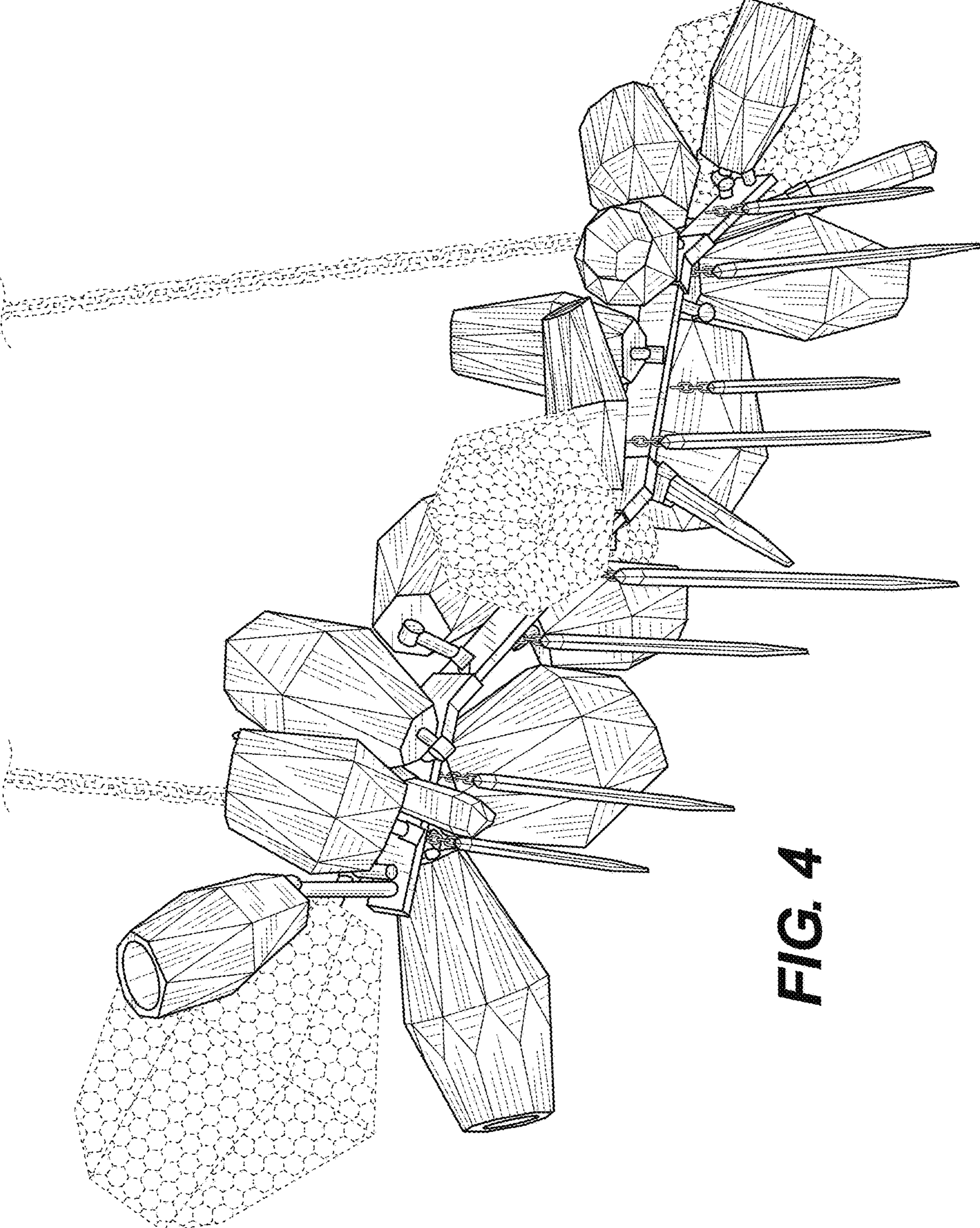


FIG. 4

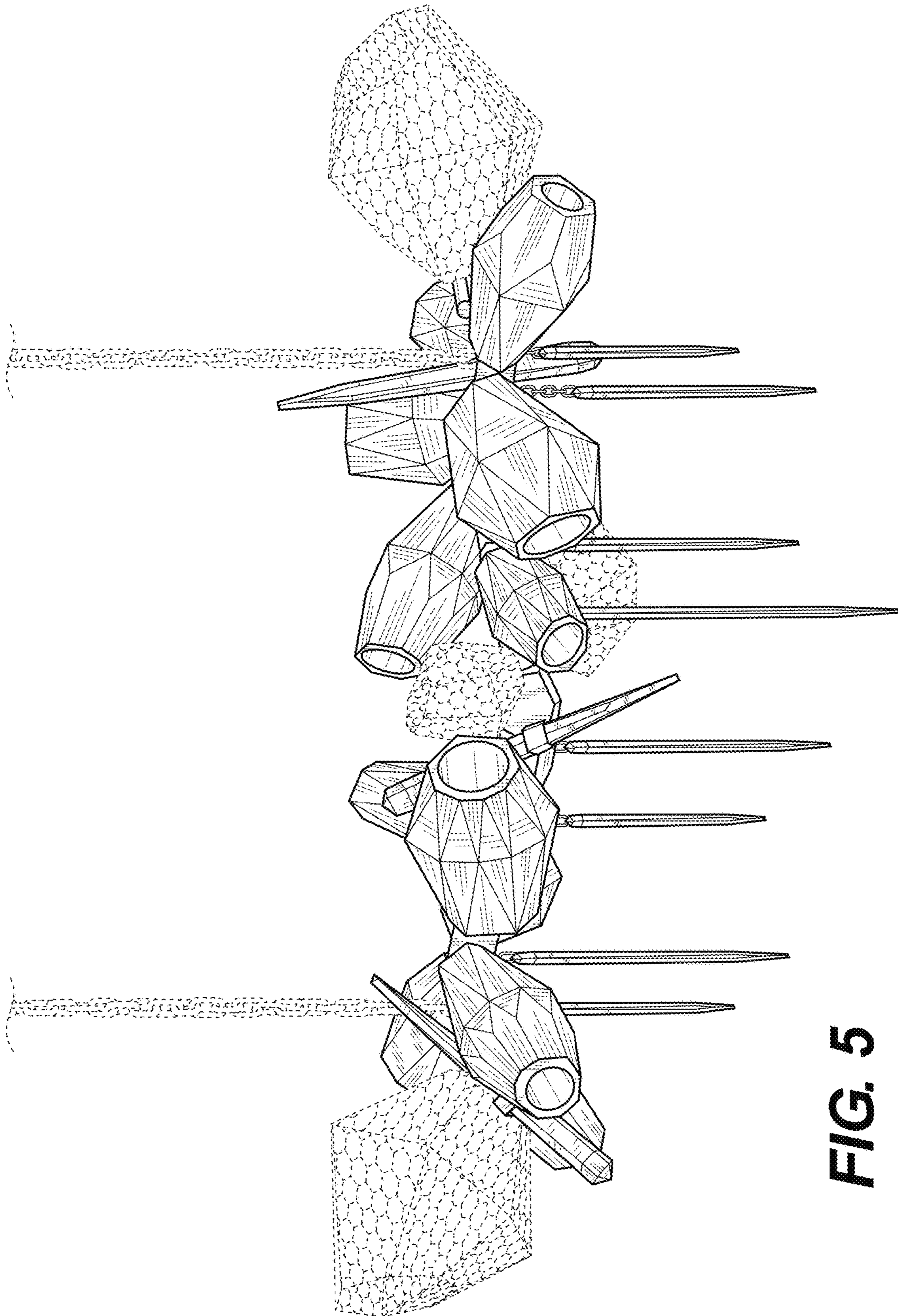


FIG. 5

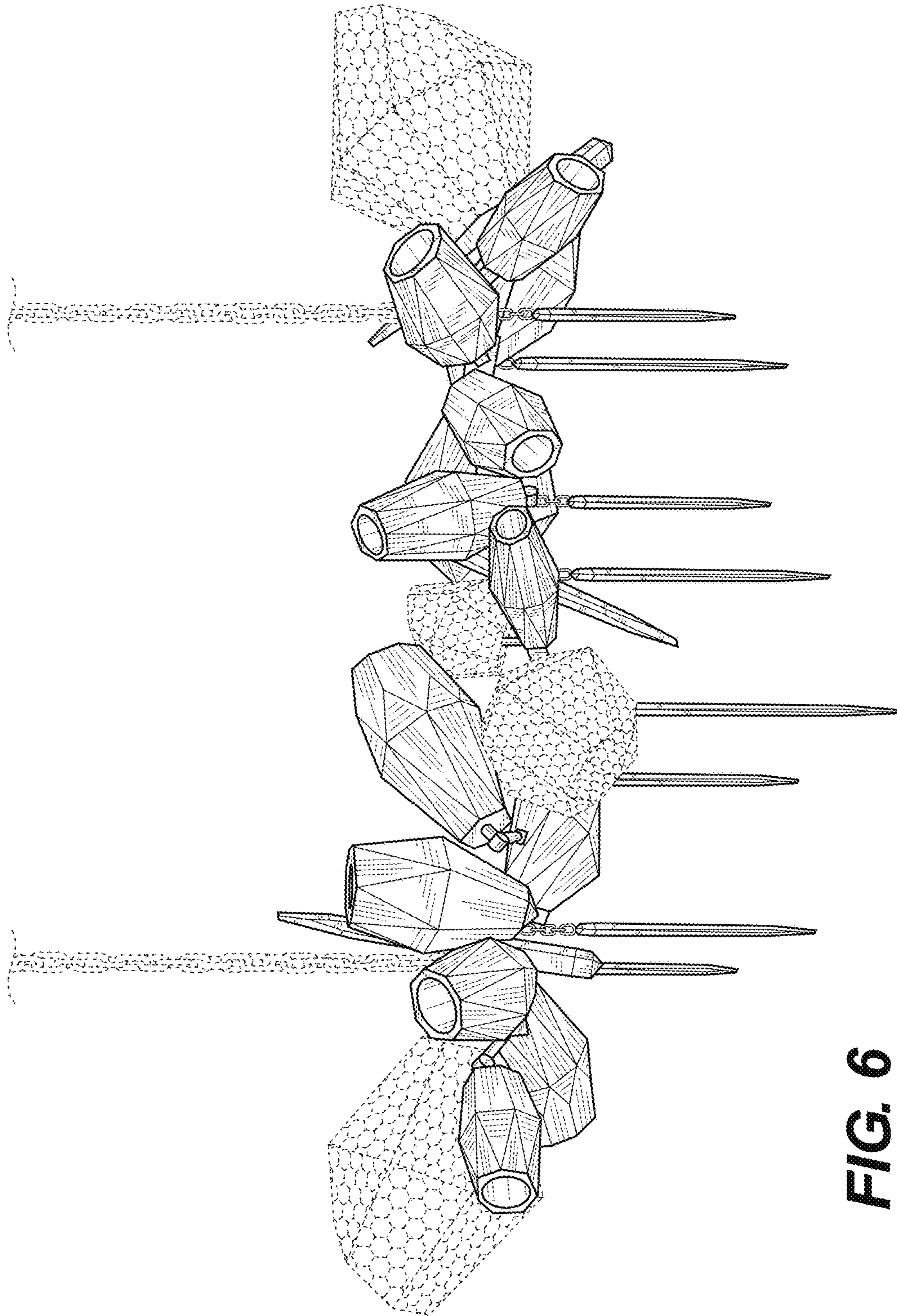


FIG. 6

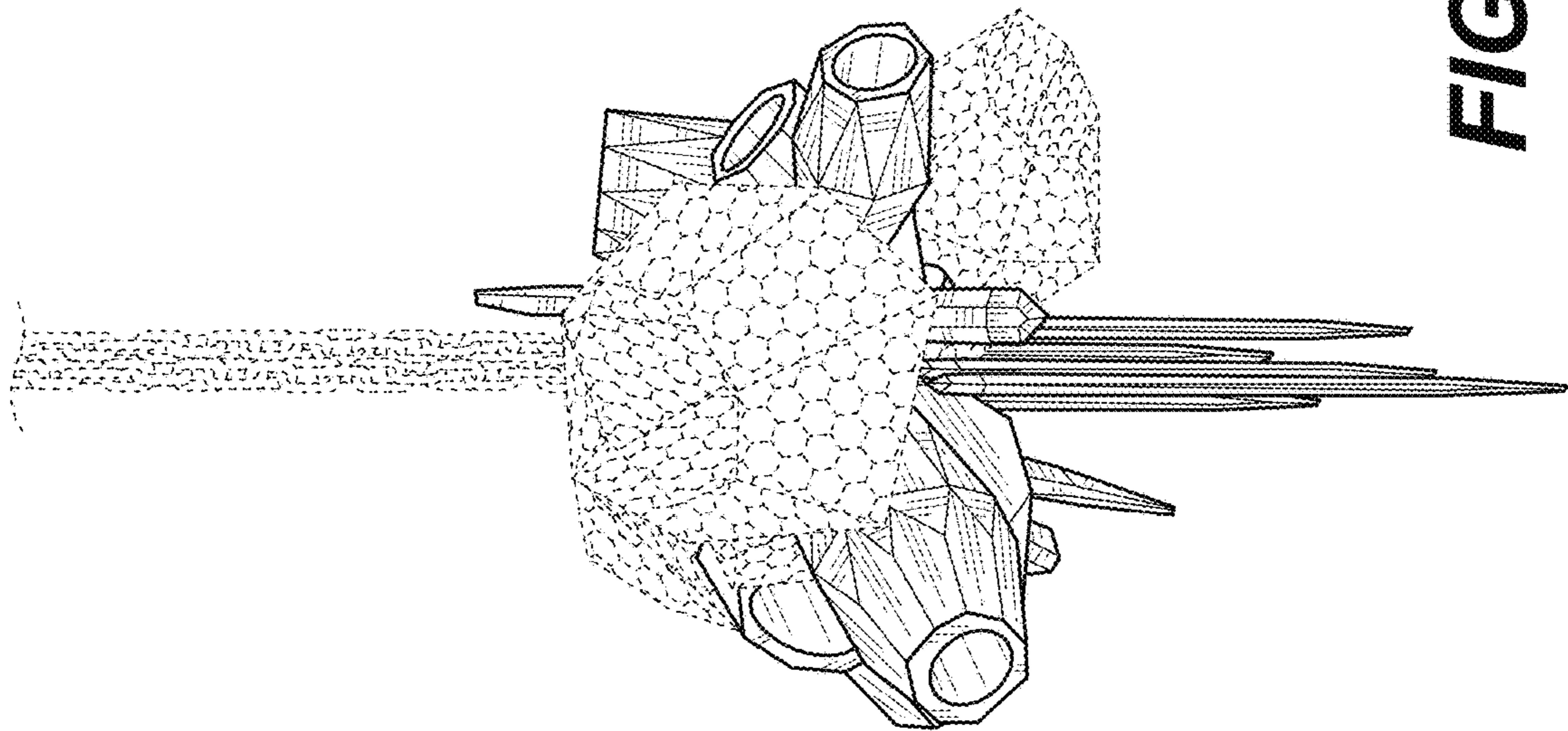


FIG. 7

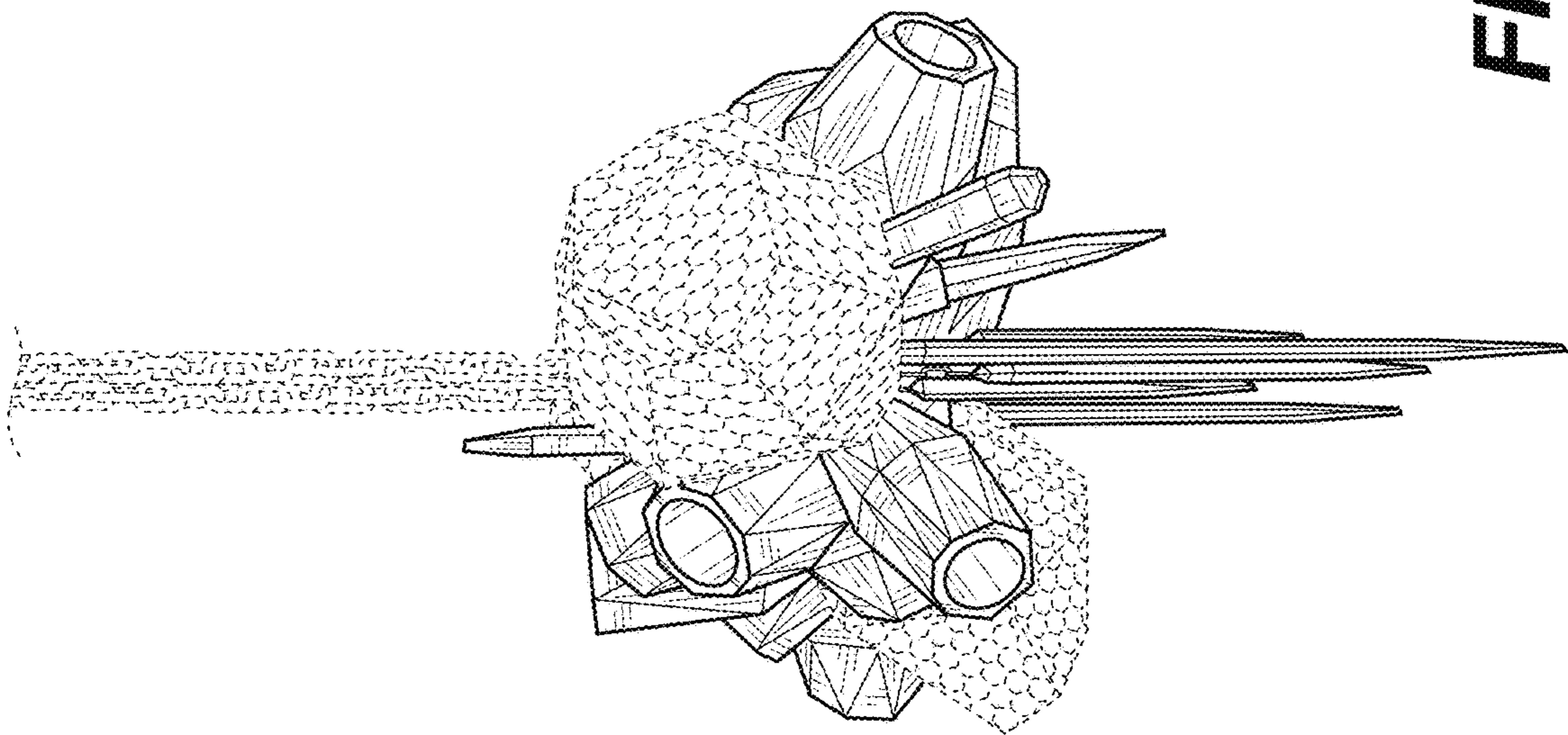


FIG. 8

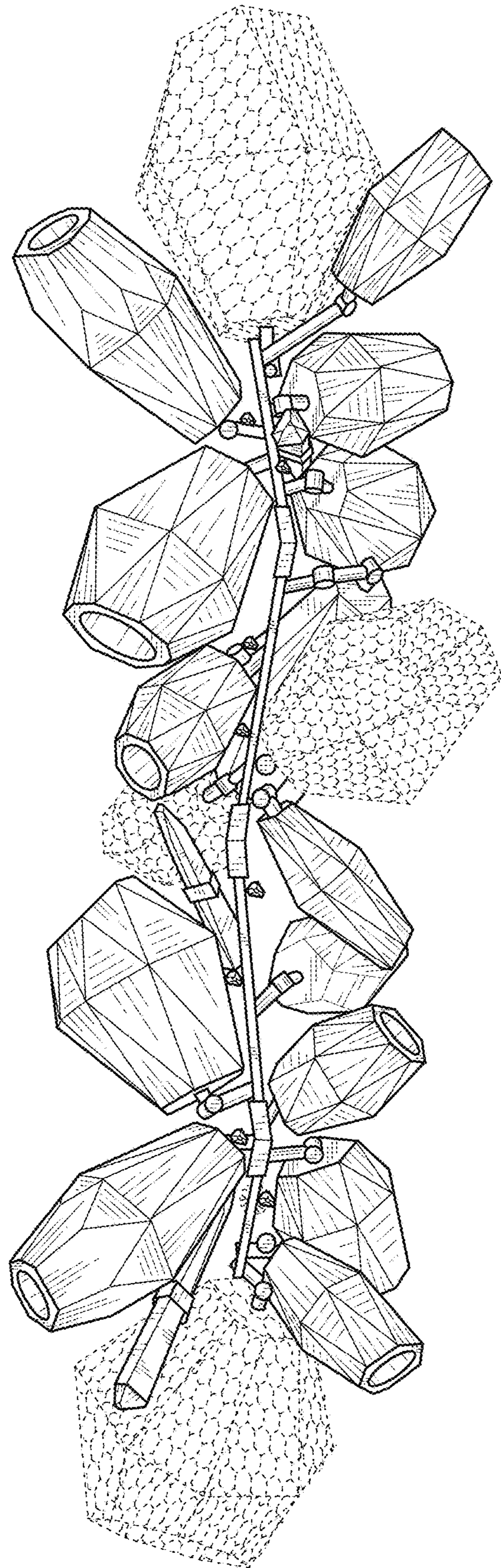


FIG. 9

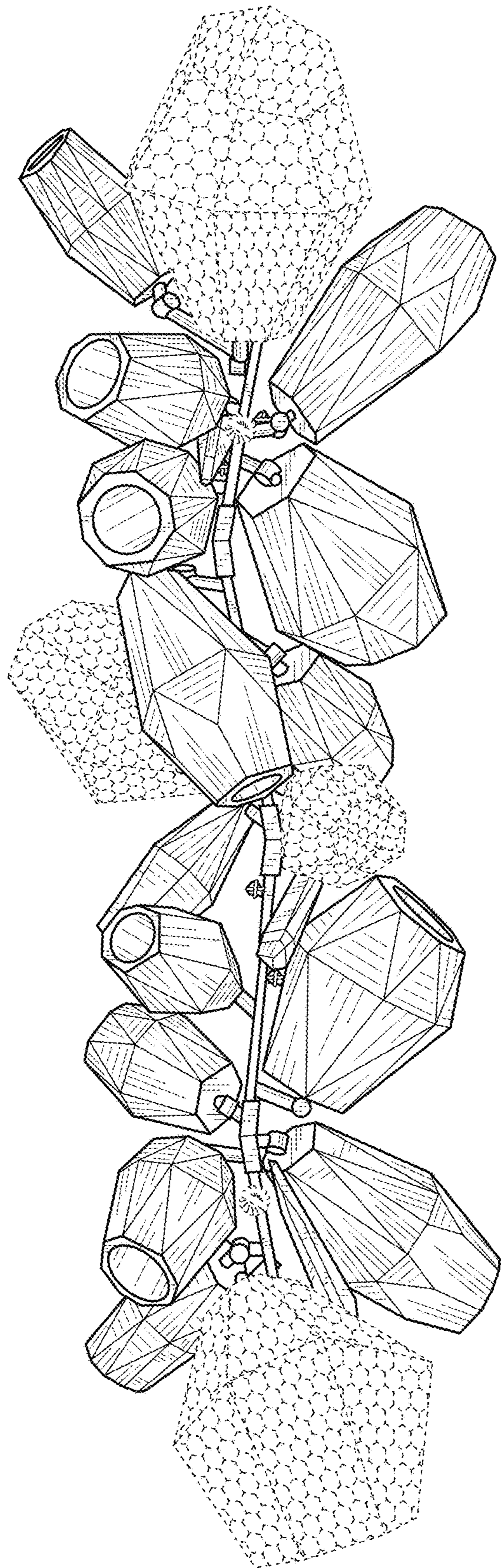


FIG. 10