



US00D794860S

(12) **United States Design Patent**
Khubani et al.

(10) **Patent No.:** **US D794,860 S**

(45) **Date of Patent:** **** Aug. 15, 2017**

(54) **LIGHT PROJECTOR**

(71) Applicant: **Telebrands Corp.**, Fairfield, NJ (US)

(72) Inventors: **Ajit Khubani**, Saddle River, NJ (US);
Yun Pan, Shenzhen (CN)

(73) Assignee: **Telebrands Corp.**, Fairfield, NJ (US)

(**) Term: **15 Years**

(21) Appl. No.: **29/549,933**

(22) Filed: **Dec. 29, 2015**

Related U.S. Application Data

(63) Continuation of application No. 29/544,568, filed on Nov. 4, 2015, now Pat. No. Des. 766,484, and a continuation-in-part of application No. 29/526,591, filed on May 11, 2015, now Pat. No. Des. 766,483.

(51) **LOC (10) Cl.** **26-05**

(52) **U.S. Cl.**
USPC **D26/68; D26/118**

(58) **Field of Classification Search**
USPC D26/60, 63, 67-71, 138
CPC F21V 3/0445; F21V 21/32; F21V 21/0824;
F21S 6/003; F21S 6/005; F21S 6/0032;
F21S 8/081; F21S 8/083; F21S 8/085;
F21S 8/088; F21W 2131/103; F21W
2131/109

See application file for complete search history.

(56) **References Cited**

U.S. PATENT DOCUMENTS

3,104,064 A * 9/1963 Bellek F21S 8/081
362/267
D231,559 S * 4/1974 Darling et al. D26/63
D233,778 S 11/1974 Kennedy
D233,779 S 11/1974 Kennedy
D234,710 S * 4/1975 Beeren D26/63

4,114,112 A 9/1978 Epstein
4,307,528 A 12/1981 Dewees
4,458,124 A 7/1984 Kroth
D278,215 S * 4/1985 Patterson D10/106.6
4,557,055 A 12/1985 Arai
D282,104 S * 1/1986 Taylor D25/131
4,779,176 A 10/1988 Bornhorst

(Continued)

FOREIGN PATENT DOCUMENTS

CN 203431698 2/2014
CN 204141534 2/2015

(Continued)

OTHER PUBLICATIONS

International Search Report PCT/US2016/021354, published Jun. 30, 2016.

(Continued)

Primary Examiner — Clare E Heflin

(74) *Attorney, Agent, or Firm* — Cooper & Dunham, LLP

(57) **CLAIM**

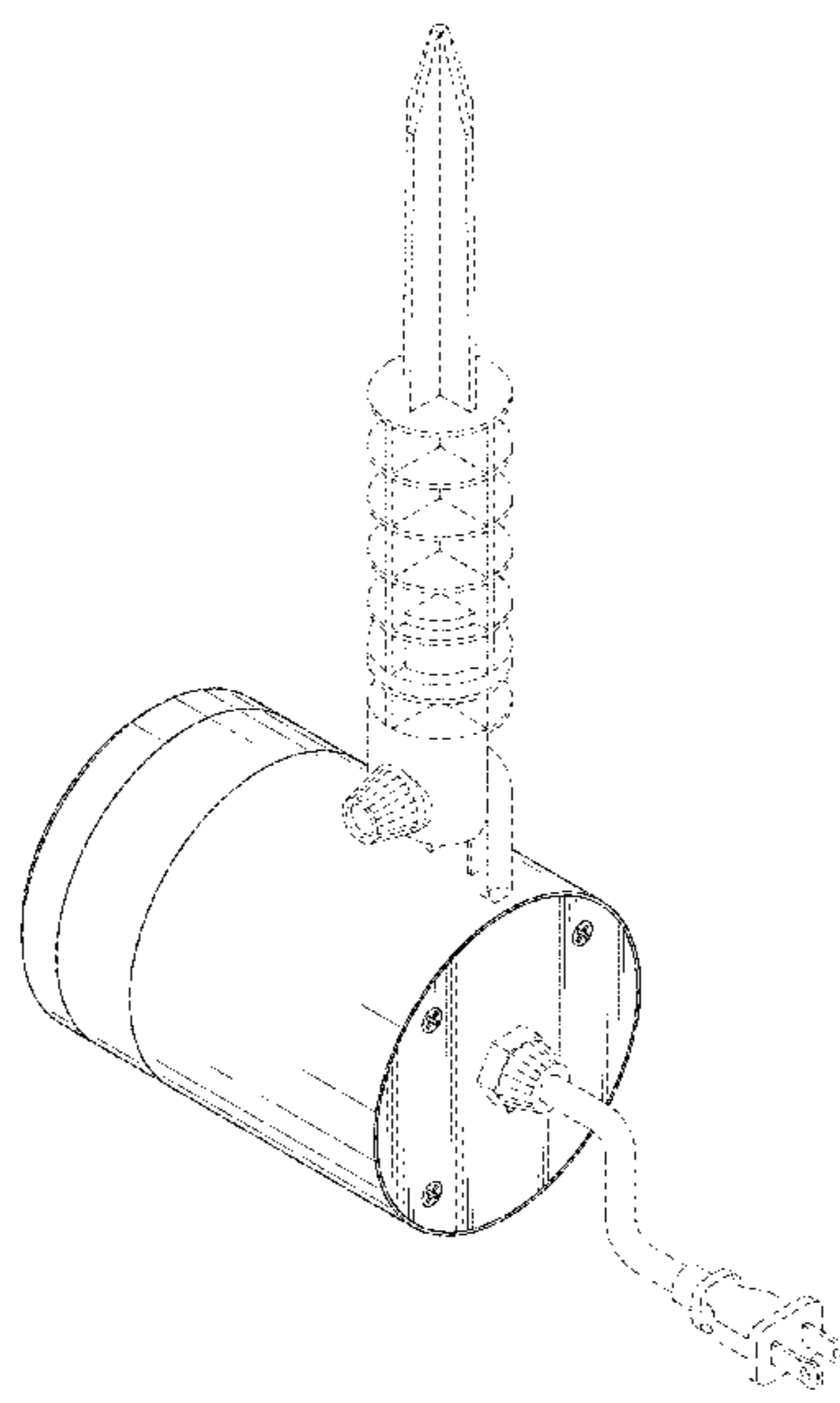
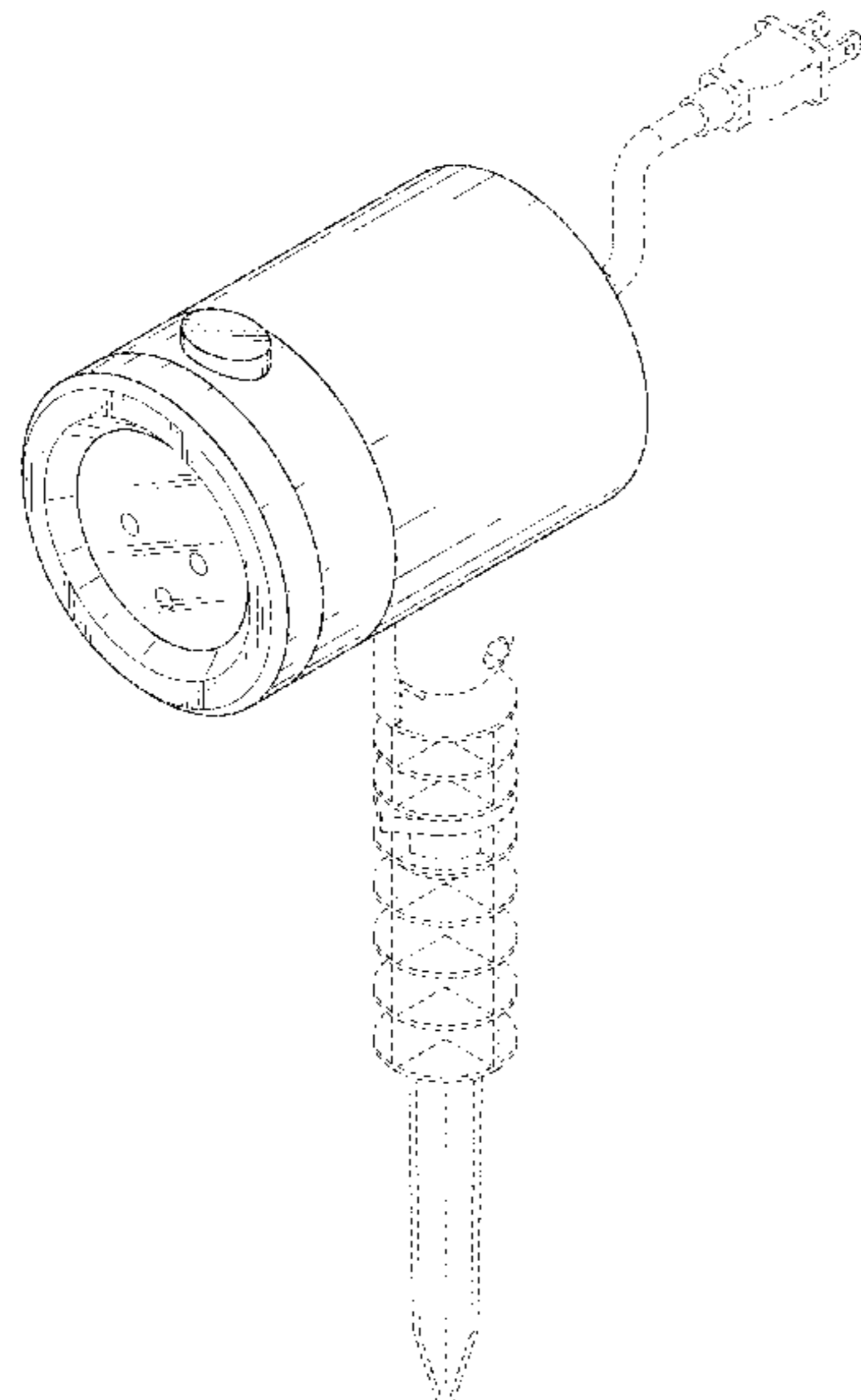
The ornamental design for a light projector, as shown and described.

DESCRIPTION

FIG. 1 is a top perspective view of a light projector in accordance with the present design;
FIG. 2 is a bottom perspective view thereof;
FIG. 3 is a front view thereof;
FIG. 4 is a back view thereof;
FIG. 5 is a right side view thereof;
FIG. 6 is a left side view thereof;
FIG. 7 is a top view thereof; and,
FIG. 8 is a bottom view thereof.

The broken lines shown on the drawings depict portions of the light projector that form no part of the claimed design.

1 Claim, 8 Drawing Sheets



(56)

References Cited

U.S. PATENT DOCUMENTS

4,814,961 A * 3/1989 O'Brien F21S 8/083
362/291
5,036,447 A * 7/1991 Taylor F21S 2/00
248/156
D323,406 S * 1/1992 Fisher D26/68
5,086,379 A * 2/1992 Denison F21S 8/081
248/289.11
5,090,789 A 2/1992 Crabtree
D328,147 S 7/1992 Gecchelin
D333,526 S * 2/1993 Taylor D25/131
D333,529 S 2/1993 Denison
5,280,417 A * 1/1994 Hall F21S 8/081
362/153
5,367,349 A 11/1994 Zeiler
5,398,180 A * 3/1995 Lee F21S 8/081
362/152
5,459,539 A 10/1995 Yamamoto
D365,169 S * 12/1995 Fillipp D21/718
D370,070 S 5/1996 Kay
5,613,799 A 3/1997 Guide
5,626,418 A * 5/1997 Angelis, Sr. F21S 8/081
248/160
D389,935 S 1/1998 Pink
D414,579 S * 9/1999 Denison D26/63
5,971,545 A 10/1999 Haitz
6,000,813 A 12/1999 Krietzman
6,145,228 A 11/2000 LaChance
D437,071 S 1/2001 Andrus
D437,652 S 2/2001 Uhler
D438,999 S * 3/2001 Bossy D26/68
6,304,237 B1 10/2001 Karakawa
6,474,837 B1 11/2002 Belliveau
D482,476 S 11/2003 Kwong
6,655,817 B2 12/2003 Devlin
6,722,771 B1 4/2004 Stephens
6,874,893 B2 4/2005 Park
D506,282 S 6/2005 Benghozi
D506,283 S 6/2005 Benghozi
D541,966 S 5/2007 Bhenghozi
D550,877 S * 9/2007 Mullen D26/63
D551,789 S * 9/2007 Mullen D26/63
7,369,584 B2 5/2008 Goldman
D574,532 S 8/2008 Lee
D577,453 S 9/2008 Metlen
D589,191 S * 3/2009 Sabernig D26/63
D604,880 S 11/2009 Lovegrove
D604,882 S 11/2009 Mier-Langner
RE41,050 E 12/2009 Panasewicz
D605,325 S * 12/2009 Sanoner D26/68
7,641,345 B2 1/2010 Johnson
D616,586 S * 5/2010 Sabernig D26/63
D619,289 S 7/2010 You
D619,290 S 7/2010 You
D625,871 S 10/2010 Huang
7,832,918 B2 11/2010 Chien
D632,414 S 2/2011 Croce
8,003,886 B1 8/2011 Rintz
D649,671 S 11/2011 Ferro
8,057,045 B2 11/2011 Johnson
8,100,537 B2 1/2012 Johnson
8,100,538 B2 1/2012 Kuroda
D654,606 S 2/2012 Chen
D659,871 S * 5/2012 Lee D26/63
D667,981 S 9/2012 Connolly
8,297,825 B2 10/2012 Onishi
8,303,129 B1 11/2012 Thielen
8,366,292 B2 2/2013 McDermott
8,376,574 B2 2/2013 Spartano
8,436,553 B2 5/2013 Zampini
8,480,233 B2 7/2013 Smith
8,693,513 B2 4/2014 Achtenhagen
8,721,160 B2 5/2014 Chien
8,901,827 B1 12/2014 Xu
D723,726 S 3/2015 Reed

D738,023 S 9/2015 Rosello Gratacos
D777,965 S 1/2017 Mirchandani
D779,098 S 2/2017 Tsai
2002/0101571 A1* 8/2002 Panasewicz F21V 21/0824
353/119
2003/0189825 A1 10/2003 Tauch
2004/0119951 A1 6/2004 Vitantonio
2004/0141316 A1 7/2004 Twardawski
2005/0024863 A1 2/2005 Phipps
2005/0243560 A1 11/2005 Chen
2006/0158138 A1 7/2006 Walter
2006/0198153 A1 9/2006 Chien
2007/0064290 A1 3/2007 Hochenbleicher
2008/0224849 A1 9/2008 Sirhan
2008/0316732 A1 12/2008 Blake
2009/0027900 A1 1/2009 Janos
2009/0033814 A1 2/2009 Khan
2009/0067191 A1 3/2009 Faber
2009/0122564 A1* 5/2009 Beadle F21S 8/081
362/431
2009/0168026 A1 7/2009 Chen
2010/0046211 A1 2/2010 Spartano
2010/0053969 A1 3/2010 Weinheimer
2012/0176782 A1 7/2012 Vanderschuit
2013/0088723 A1 4/2013 Feldkhun
2013/0257297 A1 10/2013 Schmidt
2014/0036487 A1* 2/2014 Adams A45F 3/44
362/184
2014/0268703 A1 9/2014 Ehlert
2014/0328060 A1 11/2014 Gadegaard
2015/0035437 A1 2/2015 Panopoulos
2015/0159842 A1 6/2015 Zhang
2015/0308655 A1 10/2015 Holmes
2016/0369996 A1 12/2016 Qin
2017/0045212 A1 2/2017 Ghasabi

FOREIGN PATENT DOCUMENTS

CN 204141534 U 2/2015
CN 303234579 S 6/2015
CN 204629169 U 9/2015
EP 1 024 399 2/2000
GB 2435090 8/2007
WO WO 2006/074205 7/2006
WO WO 2015/094009 6/2015
WO WO 2015/138480 9/2015
WO WO 2015/143450 9/2015
WO WO 2015/149877 10/2015

OTHER PUBLICATIONS

Written Opinion of International Search Authority PCT/US2016/021354, published Jun. 30, 2016.
Examination Report of Application No. 2016101293 by IP Australia, issued Oct. 20, 2016.
Laser Christmas Lights & Outdoor Laser Lights, published Oct. 6, 2015, available at <http://web.archive.org/web/20151006140058/http://www.laserchristmaslights.com>.
Examination Report of Application No. 2016101295 by IP Australia, issued Oct. 20, 2016.
Laser Light, available at www.amazon.com, accessed on Nov. 13, 2015.
Night Stars, available at www.amazon.com, accessed Nov. 13, 2015.
Poeland Garden Laser Landscape, available at www.amazon.com, accessed Nov. 13, 2015.
Remote Controllable RGB Laser, available at www.amazon.com, accessed Nov. 13, 2015.
Newest Garden Tree and Outdoor Wall Decoration Laser, available at www.amazon.com, accessed Nov. 13, 2015.
Pepnice Red and Green Firefly Laser Light, available at www.amazon.com, accessed Nov. 13, 2015.
Klaren Color Laser Light Projector, available at www.amazon.com, accessed Nov. 13, 2015.

(56)

References Cited

OTHER PUBLICATIONS

Garden Tree and Outdoor Wall Decoration Laser Lights for Holiday Lighting, available at www.amazon.com, accessed Nov. 13, 2015.
Green and Red Light Garden Tree and Outdoor Wall Decoration Laser Lights, available at www.amazon.com, accessed Nov. 13, 2015.

Moving Red and Green 2 Color Laser Landscape Projector Light w/ Remote, available at www.amazon.com, accessed Nov. 13, 2015.

SeresRoad Outdoor Waterproof Star Projector, Landscape Projector, available at www.amazon.com, accessed on Nov. 13, 2015.

Us-vision AGO-20RG Modern Outdoor/ Indoor 20 Patterns Gobos Rg Laser Projector, available at www.amazon.com, accessed Nov. 13, 2015.

Sminiker Outdoor Laser Light Sparkle Magic Lights Landscape Light Holiday Light, available at www.amazon.com, accessed Nov. 13, 2015.

Us-vision Outdoor Holiday Waterproof Green Laser Lighting Show, available at www.amazon.com, accessed Nov. 13, 2015.

Improvements All-metal 4-in-1 Projection Light with Remote, available at www.amazon.com, accessed Nov. 13, 2015.

Klaren Color Laser Light Projector—Improvements, available at www.amazon.com, accessed Nov. 13, 2015.

Light Flurries, available at www.lightflurries.com, accessed Mar. 17, 2016.

Examination Report of Application No. 2016101293 by IP Australia, issued Feb. 17, 2017.

Extended European Search Report of Application No. 16197894. 5-1568 by European Patent Office, issued Feb. 17, 2017.

Office Action of Application No. 2,937,150 by Canadian Intellectual Property Office, issued Jan. 26, 2017.

Mr. Christmas Super Green Laser Light Show, available at www.amazon.com, accessed May 2, 2016.

BlissLights Motion Laser, available at www.amazon.com, accessed May 2, 2016.

Color Laser Lights Instructions, published 2014.

BlissLights Spright Smart User Guide, published 2014.

Blisslights Spright Spring Smart Outdoor Indoor Firefly Light Projector with Timer, available at www.amazon.com, accessed May 2, 2016.

Outdoor Indoor Spright Smart Firefly Light with Timer Green, available at www.amazon.com, accessed May 2, 2016.

International Search Report PCT/US2016/021347, published May 17, 2016.

Written Opinion of International Search Authority PCT/US2016/021347, published May 17, 2016.

International Search Report PCT/US2016/021338, published May 16, 2016.

Written Opinion of International Search Authority PCT/US2016/021338, published May 16, 2016.

Extended European Search Report of Application No. 16197893 by European Patent Office, dated Feb. 24, 2017.

Extended European Search Report of Application No. 16197896 by European Patent Office, dated Mar. 13, 2017.

Peatross, Physics of Light and Optics, Mar. 22, 2017, pp. 288-295, 303.

Laser Light Prime, <https://www.youtube.com/watch?v=ygPEISRdaRo>, accessed May 25, 2017, published Nov. 29, 2014.

Laser Projector Yard Stake Sell Sheet by YFC-BonEagle, Copyright 2011.

Consumer Electronics Show Flyer by Prime, Jan. 2014.

Extended European Search Report of Application No. 16197895 by European Patent Office, dated Apr. 28, 2017.

* cited by examiner

FIG. 1

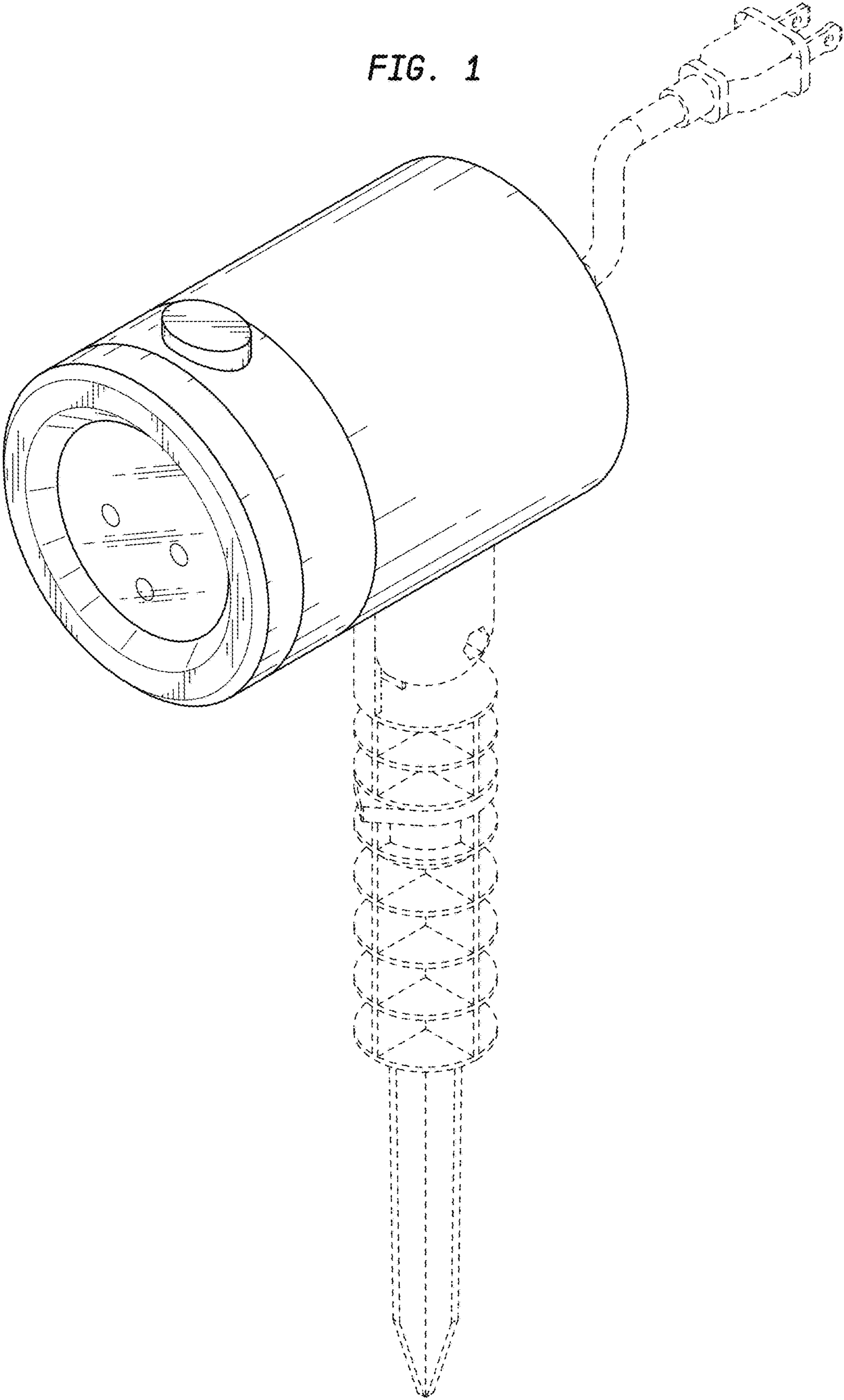


FIG. 2

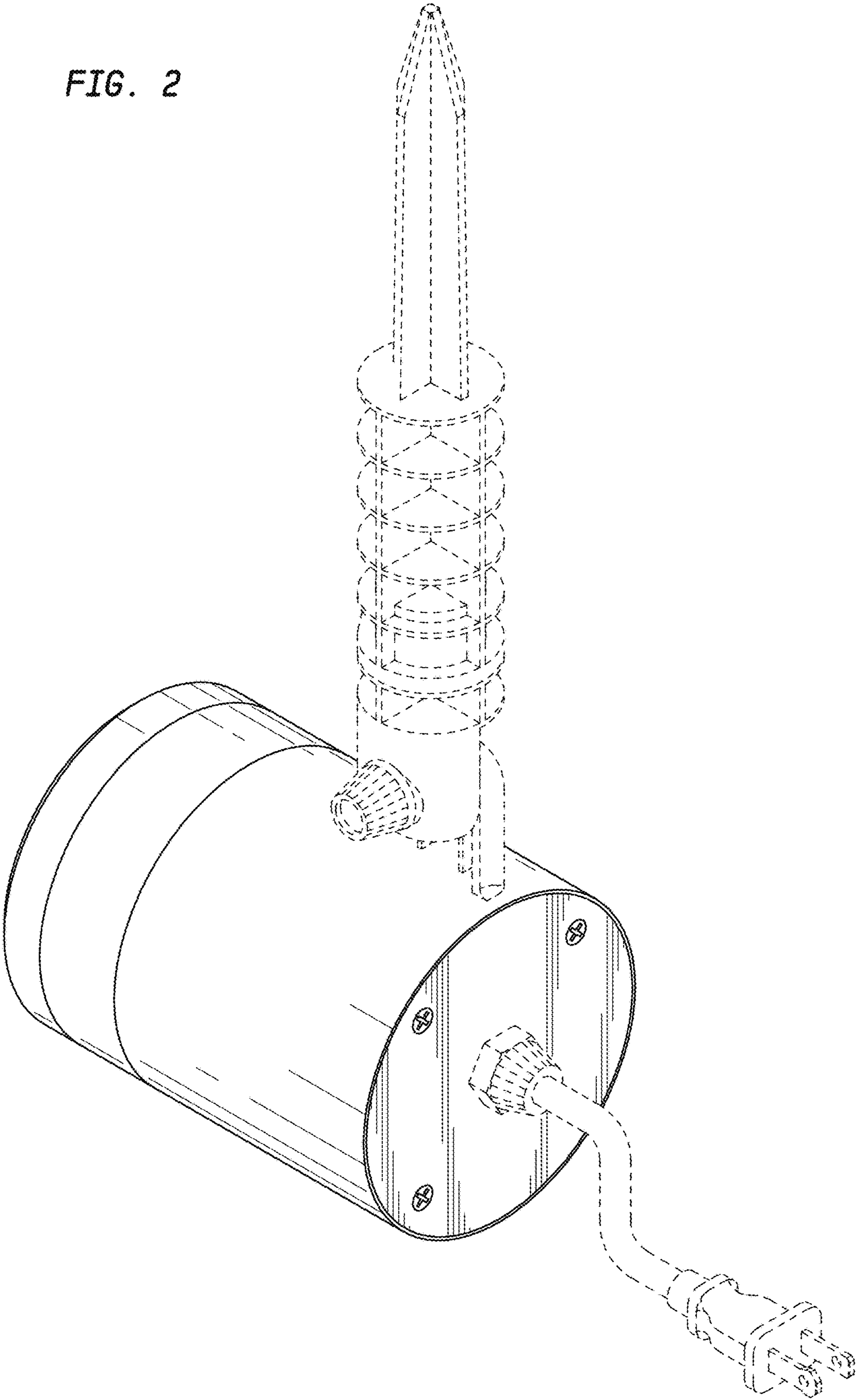


FIG. 3

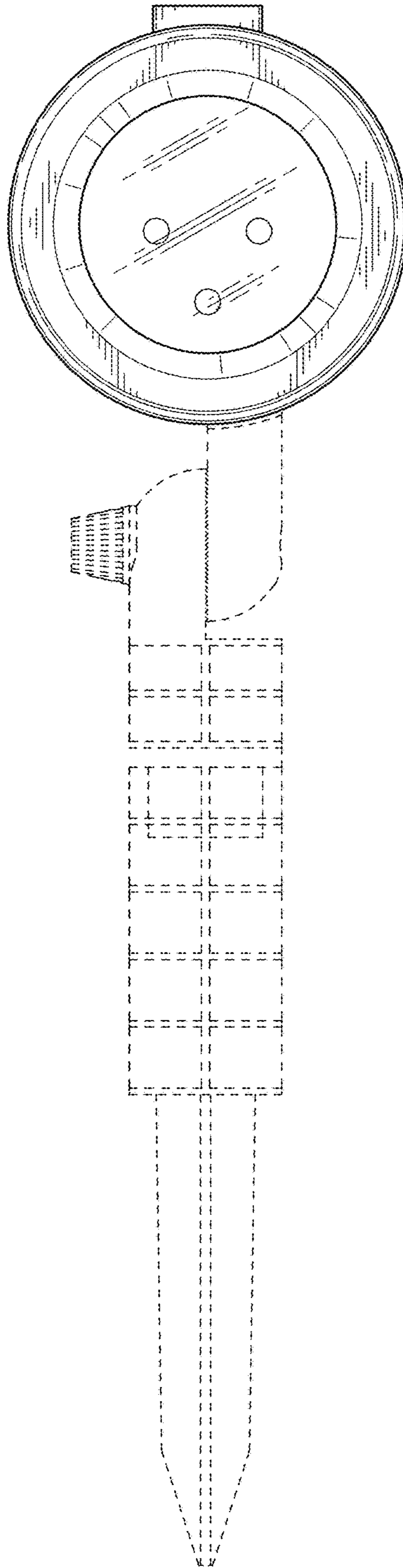


FIG. 4

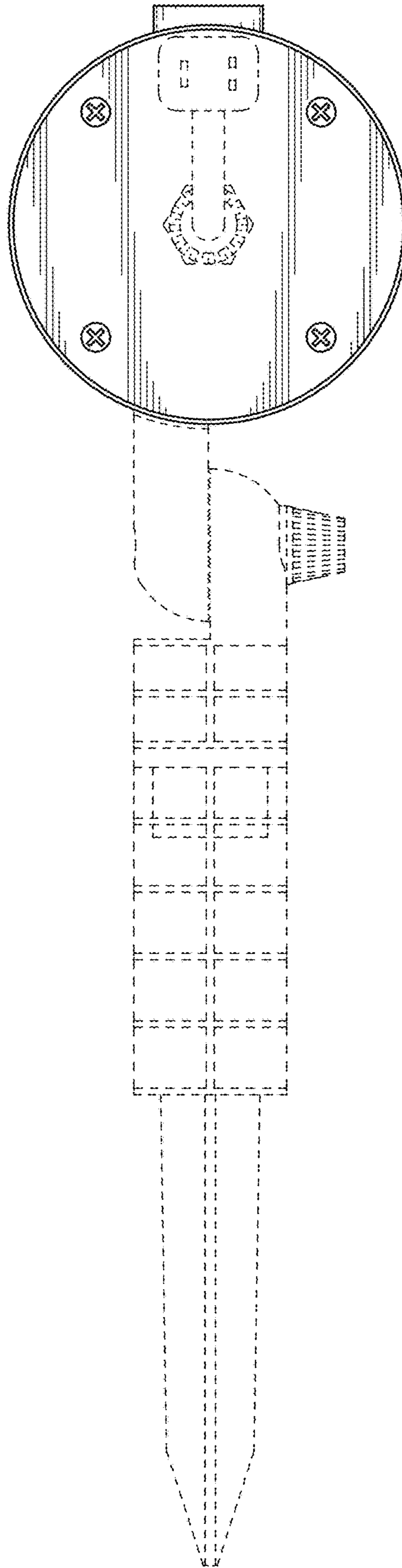


FIG. 5

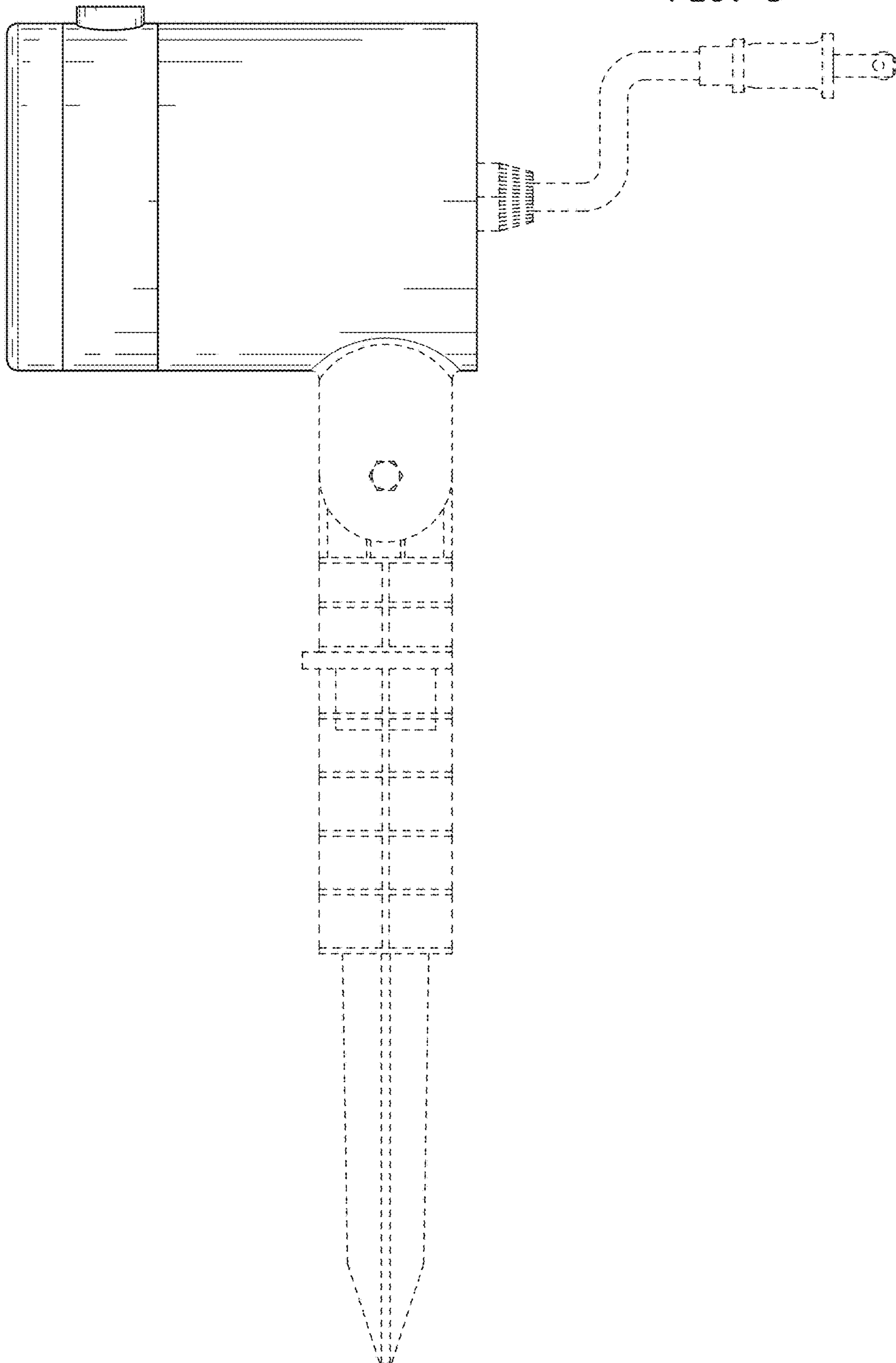


FIG. 6

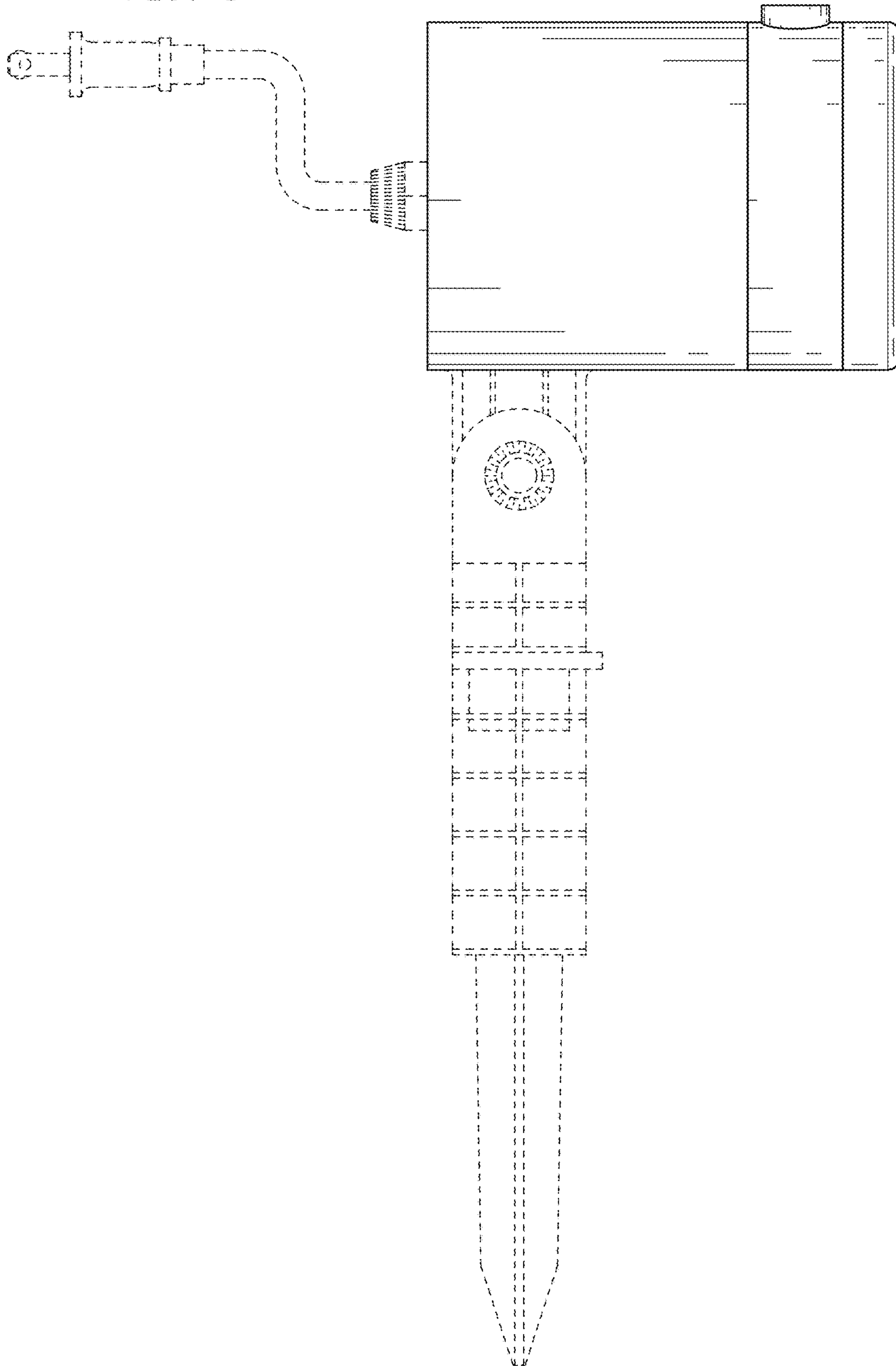


FIG. 7

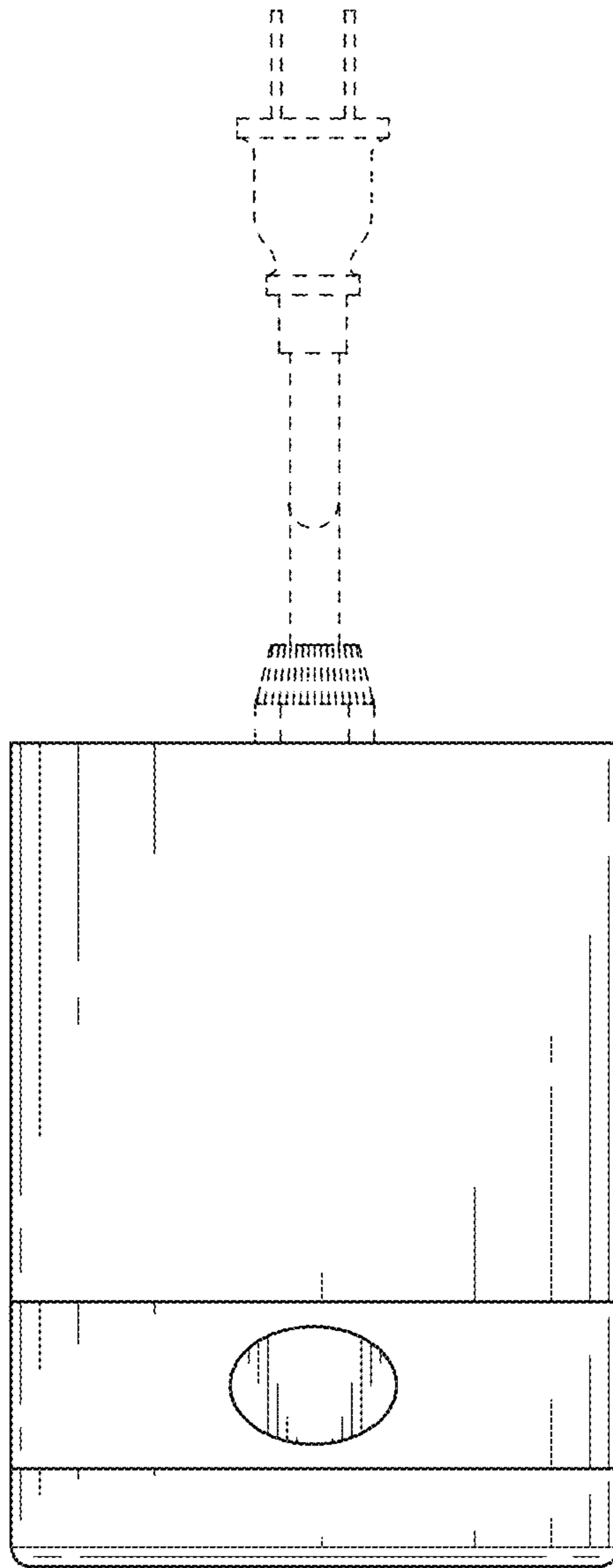


FIG. 8

