



US00D794858S

(12) **United States Design Patent** (10) **Patent No.:** **US D794,858 S**
Ferlauto et al. (45) **Date of Patent:** **** Aug. 15, 2017**

(54) **LASER LIGHT PROJECTOR**

(71) Applicant: **Prime Wire & Cable, Inc.**, La Jolla, CA (US)

(72) Inventors: **Bill Ferlauto**, Mooresville, NC (US);
Jeff Millar-Sax, Yucaipa, CA (US);
Jerzy Marcinkowski, Corona, CA (US);
Liang-Hsu Kuo, Dongguan (CN)

7,004,588 B2 2/2006 Sadler
D542,959 S * 5/2007 Yao D26/63
D559,091 S * 1/2008 Skorka D8/367
D574,532 S * 8/2008 Lee D26/63
D625,871 S * 10/2010 Huang D26/63
D659,871 S * 5/2012 Lee D26/63
8,662,707 B2 3/2014 Scott et al.

(Continued)

FOREIGN PATENT DOCUMENTS

(**) Term: **15 Years**

CN 2211610 Y 11/1995
CN 102644852 A 8/2012

(Continued)

(21) Appl. No.: **29/555,230**

Primary Examiner — Brian N Vinson
(74) *Attorney, Agent, or Firm* — Buche & Associates,
P.C.; John K. Buche; Bryce A. Johnson

(22) Filed: **Feb. 19, 2016**

(51) **LOC (10) Cl.** **26-03**

(52) **U.S. Cl.**
USPC **D26/63**

(58) **Field of Classification Search**
USPC D26/1, 24, 61, 63, 65, 85, 92
CPC F21V 21/14; F21V 15/01; F21V 14/02;
F21V 21/30; F21V 21/00; F21V 14/00;
F21S 8/00; F21S 8/003; F21S 8/043;
F21Y 2105/001
See application file for complete search history.

(57) **CLAIM**

I claim the ornamental design for a “laser light projector,” as shown.

DESCRIPTION

FIG. 1 is a perspective view of the laser light projector; and, FIG. 2 is a left side view of the laser light projector of FIG. 1;
FIG. 3 is a right side view of the laser light projector of FIG. 1;
FIG. 4 is a front side view of the laser light projector of FIG. 1;
FIG. 5 is a back side view of the laser light projector of FIG. 1;
FIG. 6 is a top view of the laser light projector of FIG. 1;
FIG. 7 is a bottom view of the laser light projector of FIG. 1; and,
FIG. 8 is an environmental view of the laser light projector of FIG. 1.

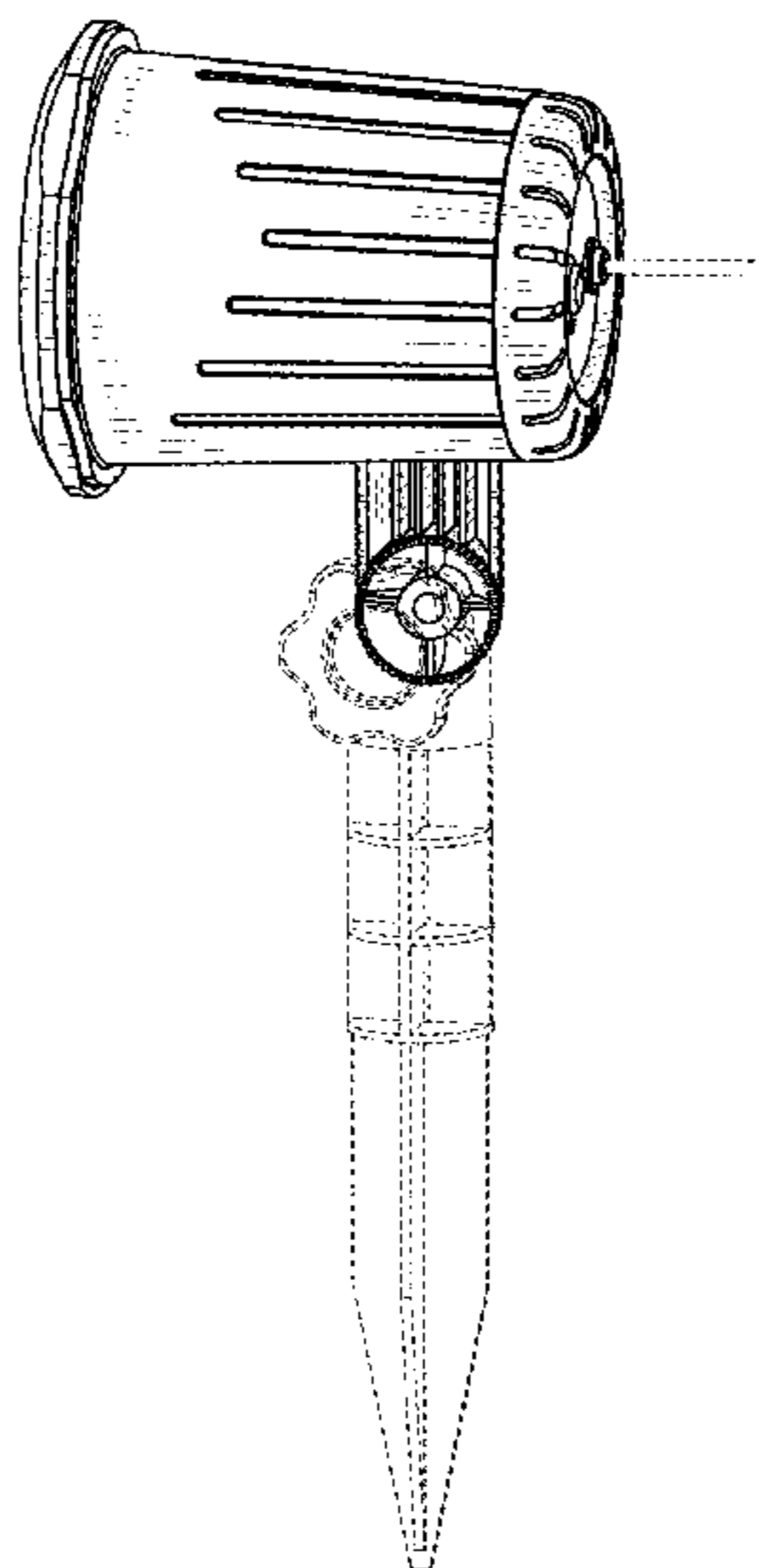
The broken lines in the views represent portions of the projector which form no part of the claimed design.

(56) **References Cited**

U.S. PATENT DOCUMENTS

2,493,238 A 10/1945 Eddy
2,607,269 A 8/1952 Elsaesser
3,541,323 A 11/1970 Stewart et al.
3,635,545 A 1/1972 VanKerkhove et al.
3,767,299 A 10/1973 Fisher
3,851,961 A 12/1974 Winzer
4,109,304 A 8/1978 Khvalovsky et al.
4,779,176 A 10/1988 Bornhorst
5,082,447 A 1/1992 Hinkle
5,450,148 A 9/1995 Shu et al.
D414,579 S * 9/1999 Denison D26/63
6,623,126 B2 9/2003 Sekiguchi et al.
6,769,778 B1 8/2004 Lloyd

1 Claim, 4 Drawing Sheets



(56)

References Cited

U.S. PATENT DOCUMENTS

D716,982 S 11/2014 Corey
8,894,216 B2 11/2014 Reichow et al.
D773,707 S * 12/2016 Lentine D26/63
2005/0195456 A1 9/2005 Houde-Walter et al.
2007/0291477 A1 12/2007 Khubani
2009/0180283 A1 7/2009 Chu
2010/0165297 A1 7/2010 Mizushima et al.
2012/0305230 A1 12/2012 Breen, IV et al.

FOREIGN PATENT DOCUMENTS

CN 202972945 U 6/2013
EP 1085307 A1 3/2001

* cited by examiner

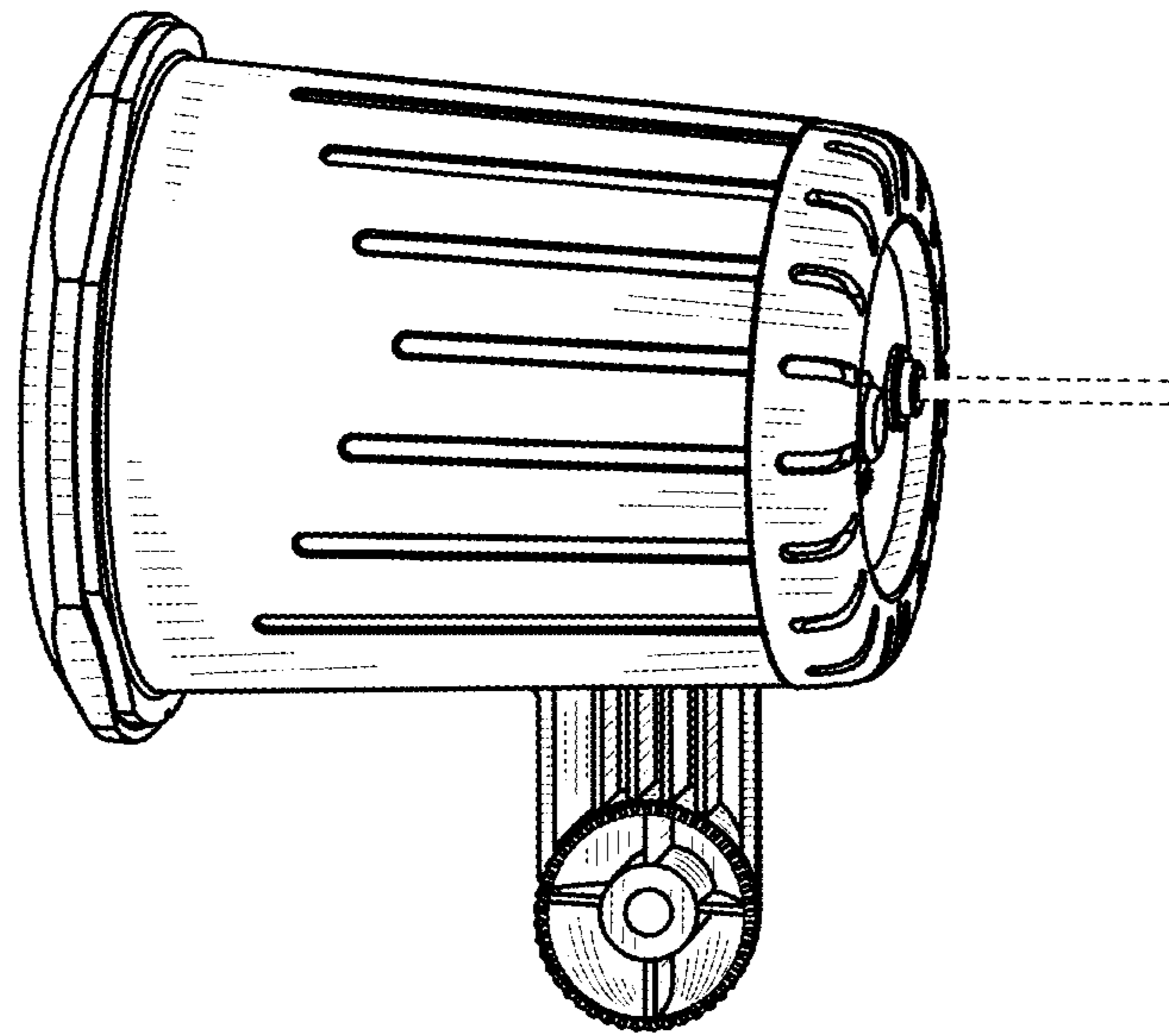


FIG. 1

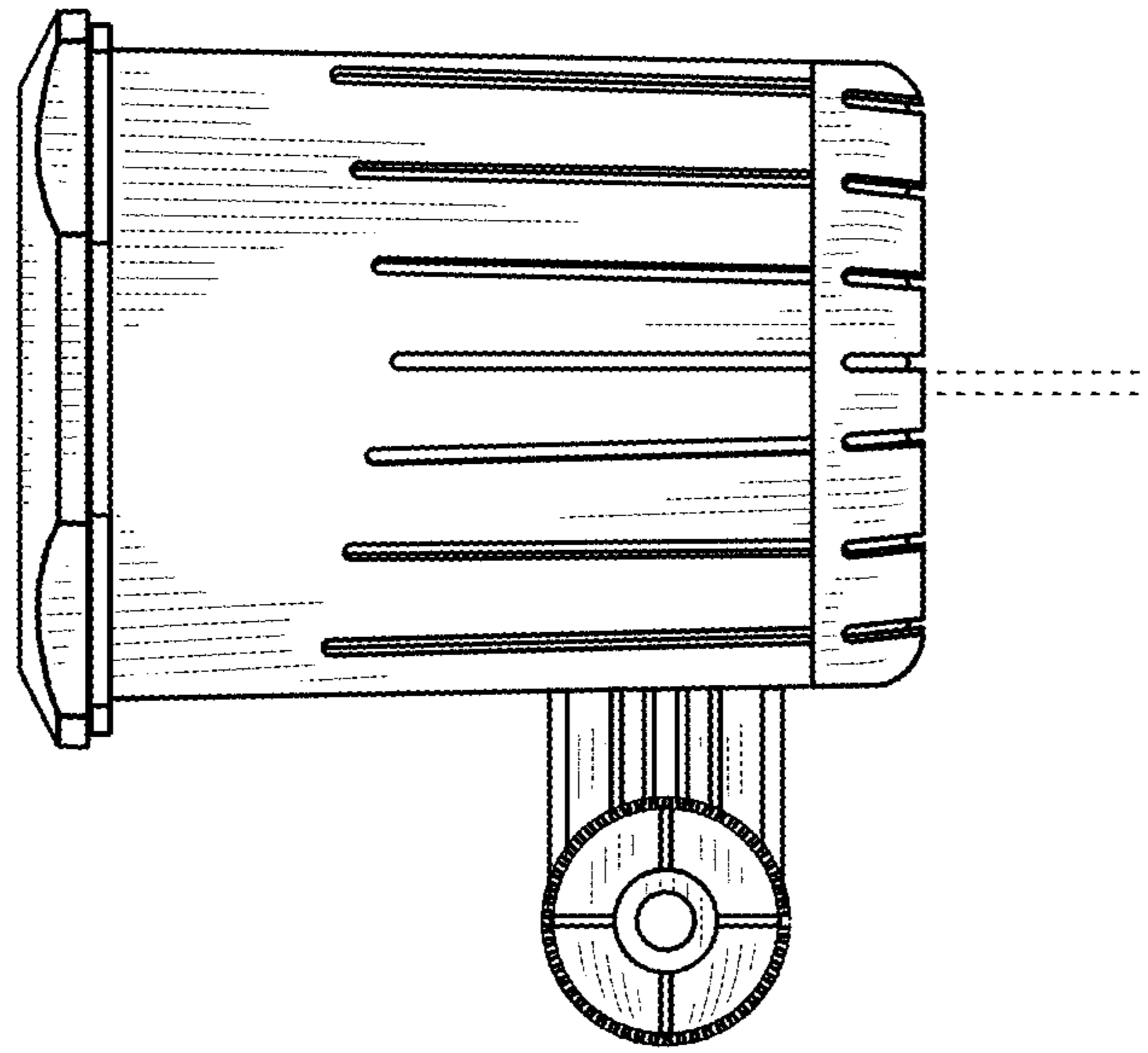


FIG. 2

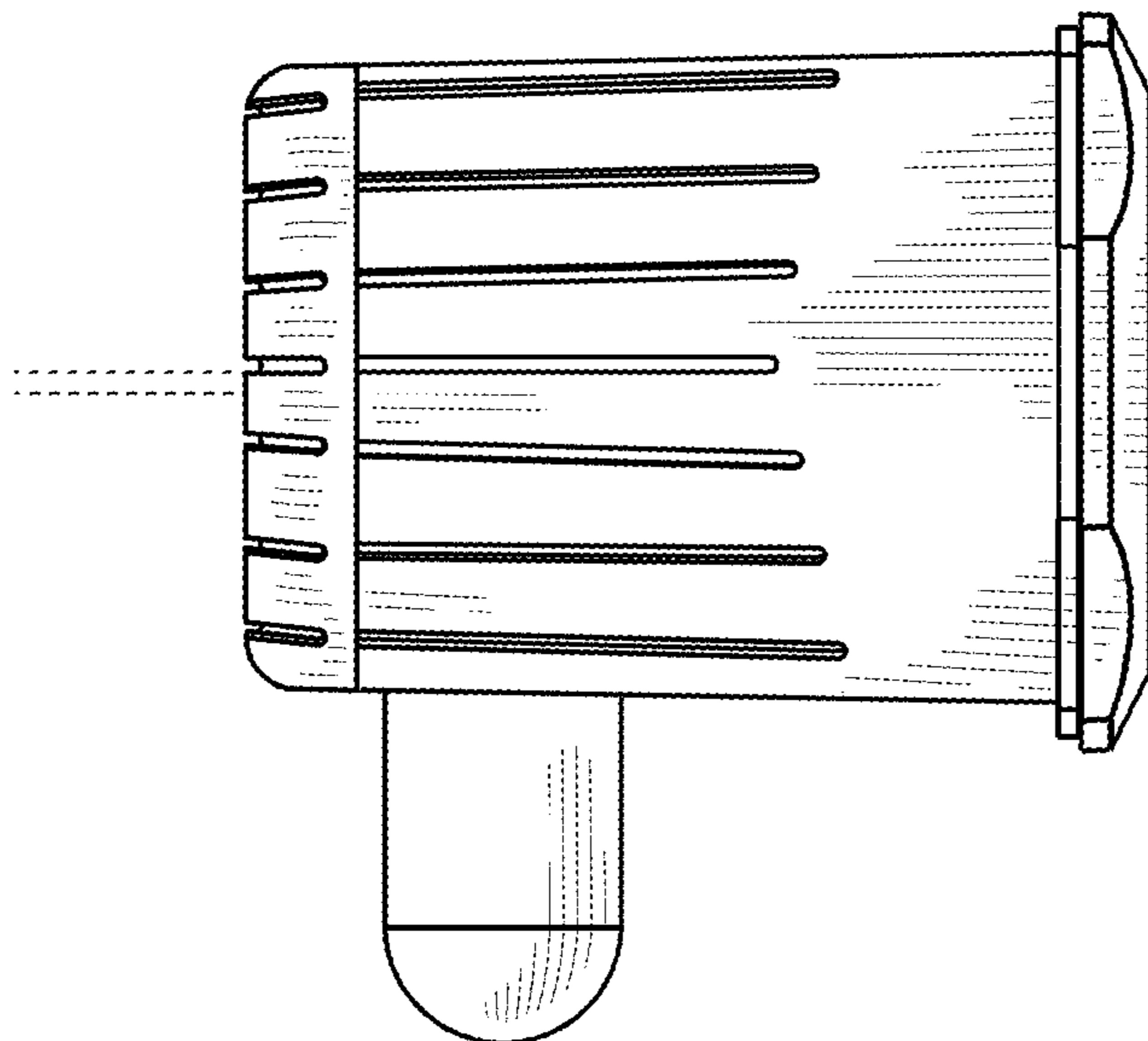


FIG. 3

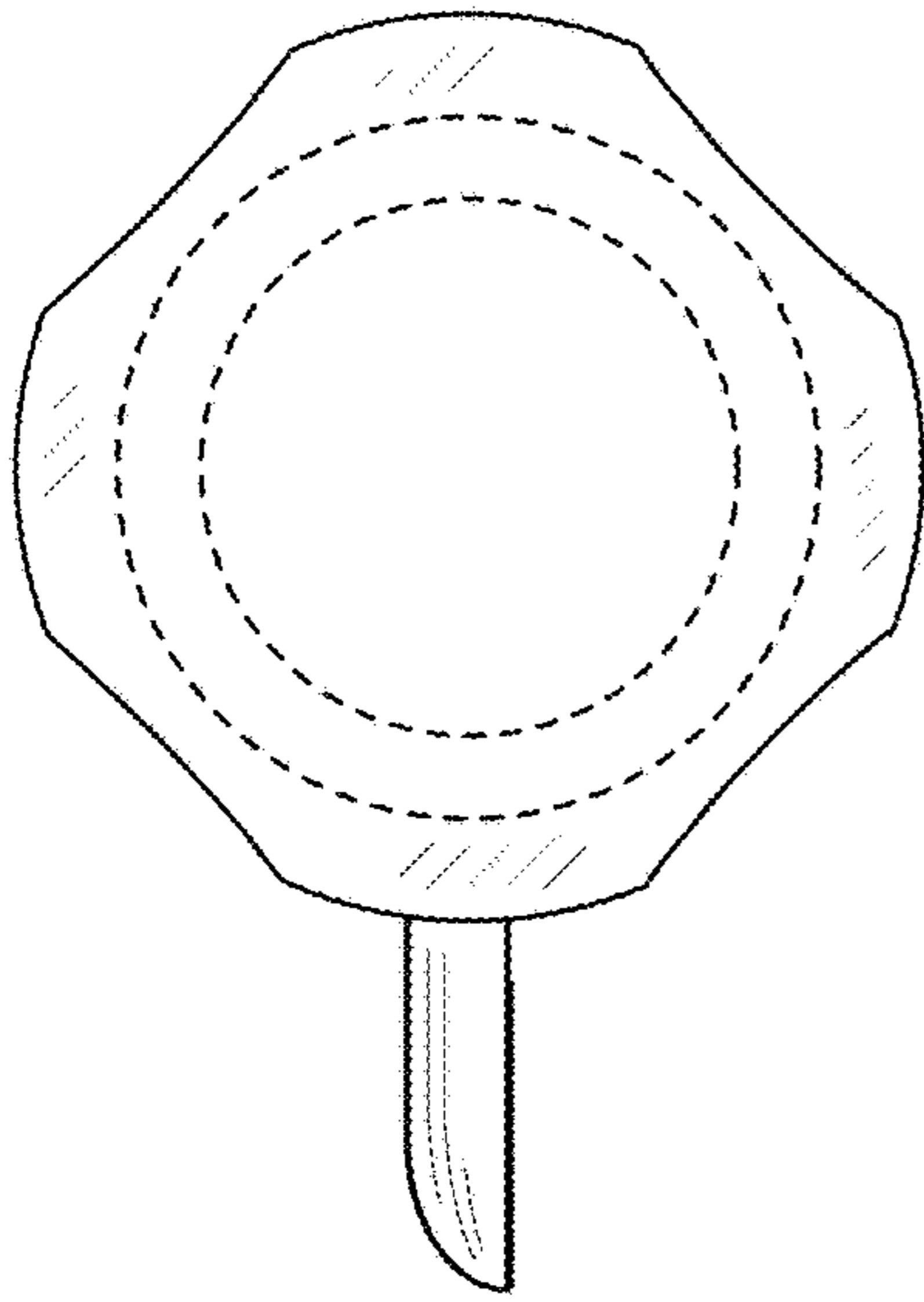


FIG. 4

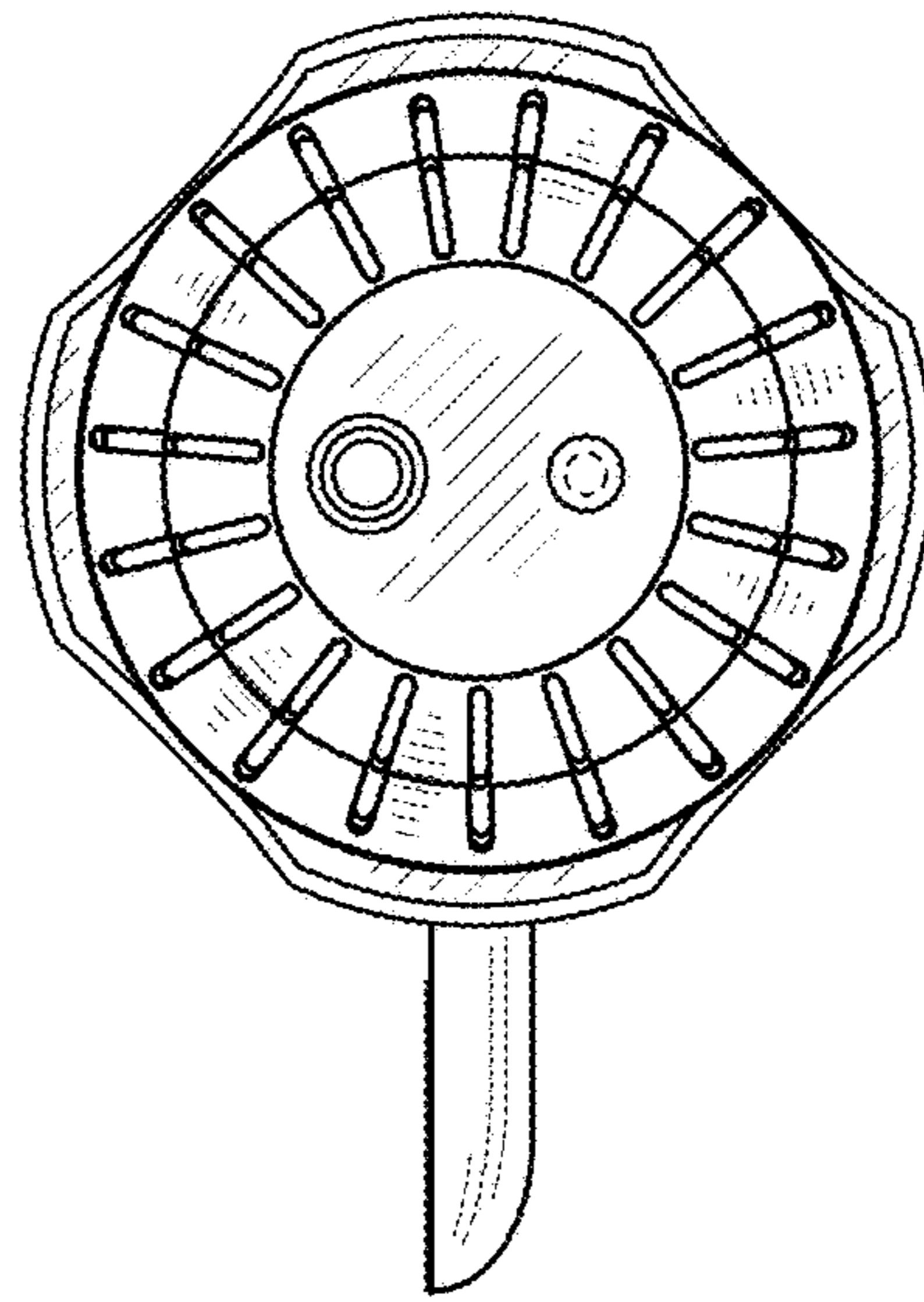


FIG. 5

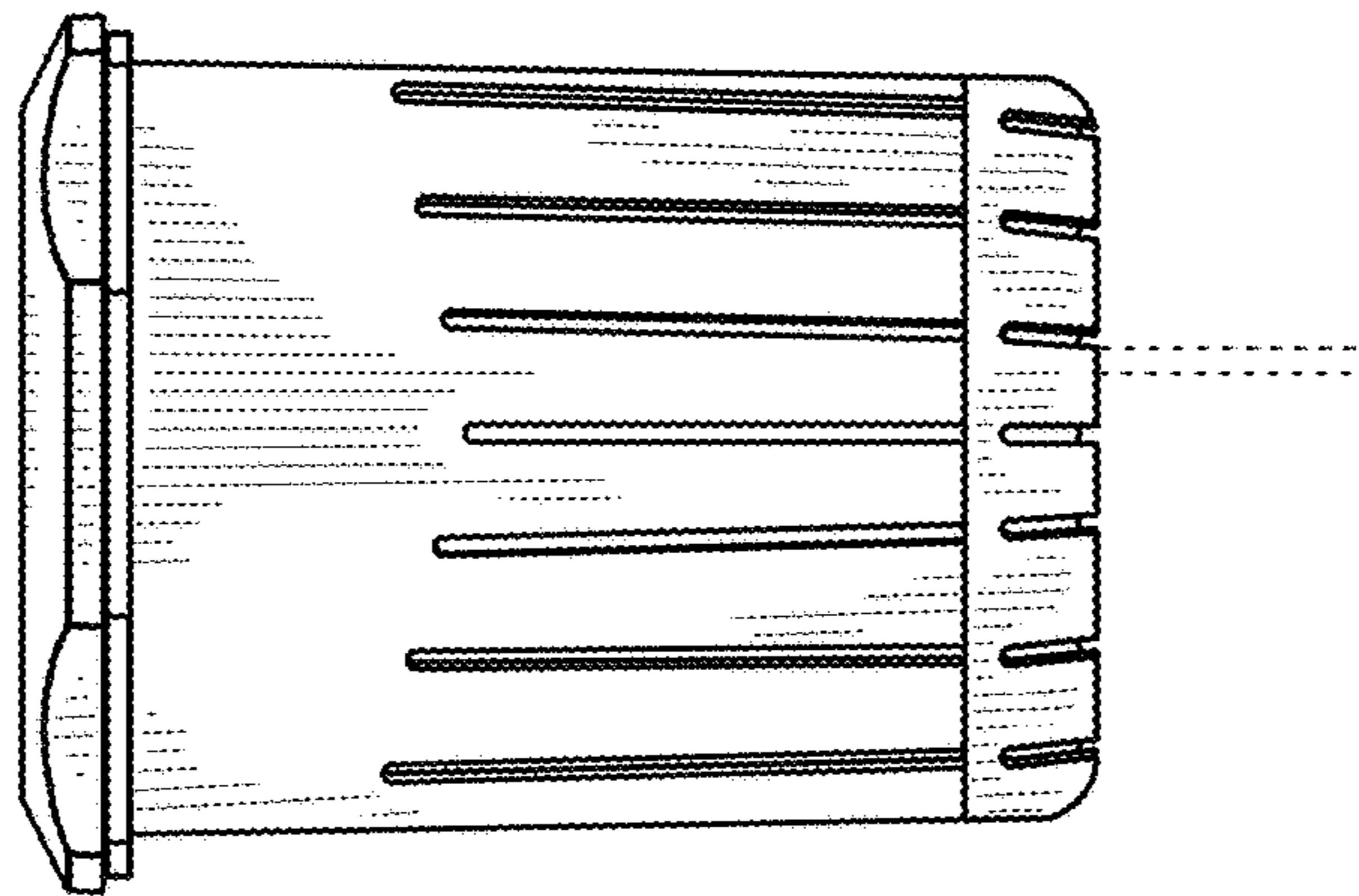


FIG. 6

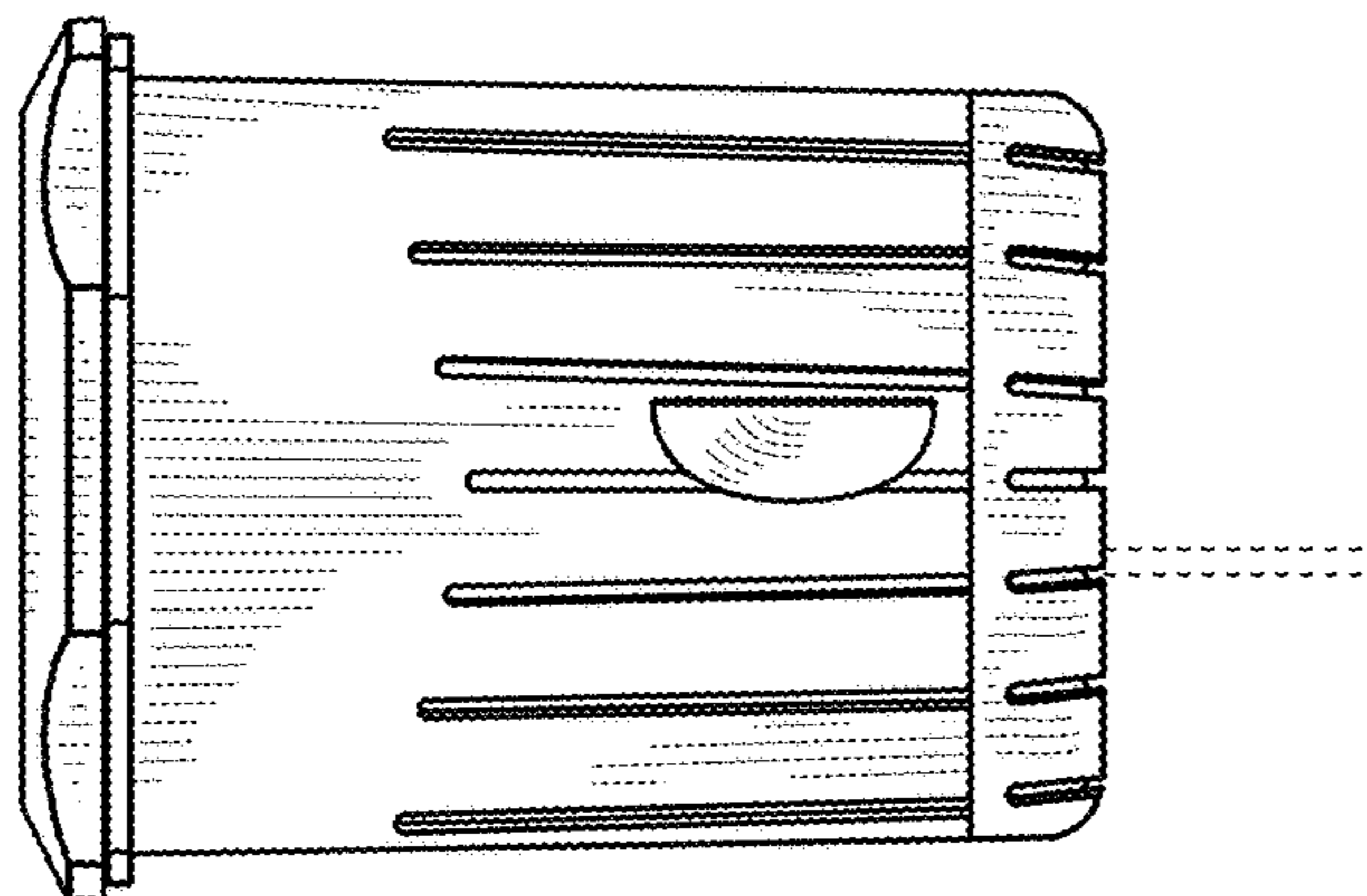


FIG. 7

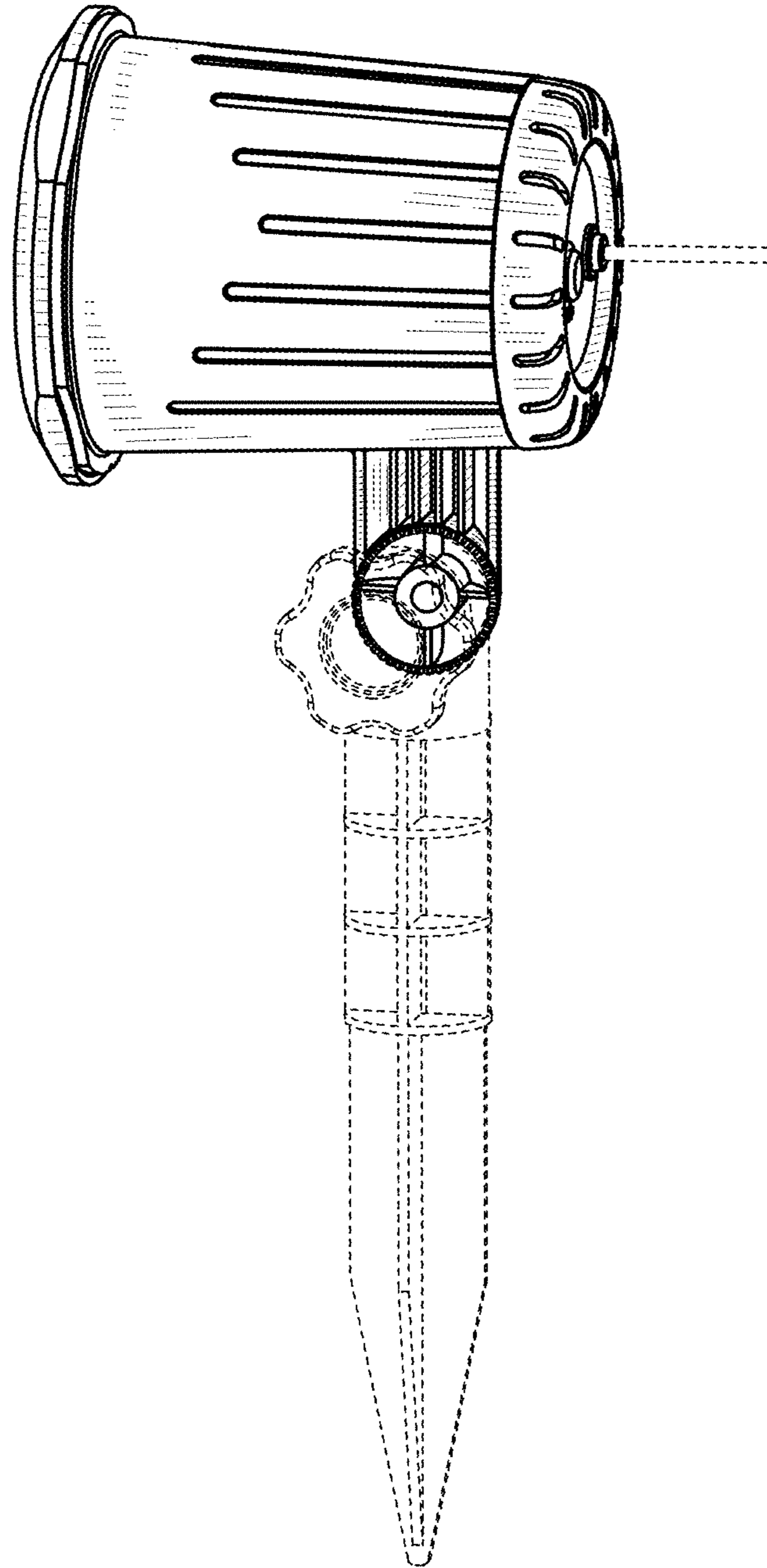


FIG. 8