



US00D794856S

(12) **United States Design Patent** (10) **Patent No.:** **US D794,856 S**
Green (45) **Date of Patent:** **** Aug. 15, 2017**

(54) **LANTERN**
(71) Applicant: **Home Depot Product Authority, LLC**,
Atlanta, GA (US)
(72) Inventor: **Adam Green**, Atlanta, GA (US)
(73) Assignee: **Home Depot Product Authority, LLC**,
Atlanta, GA (US)
(**) Term: **15 Years**

D548,864 S 8/2007 Lee
D606,685 S * 12/2009 Holsinger D26/40
D608,920 S * 1/2010 Loibl D26/40
D610,283 S 2/2010 Loibl
D658,324 S * 4/2012 Reimann D26/40
D694,444 S * 11/2013 Poon D26/40

(21) Appl. No.: **29/556,195**
(22) Filed: **Feb. 29, 2016**

Related U.S. Application Data

(62) Division of application No. 29/500,255, filed on Aug. 22, 2014, now Pat. No. Des. 754,379.
(51) **LOC (10) Cl.** **26-02**
(52) **U.S. Cl.**
USPC **D26/40; D26/113**
(58) **Field of Classification Search**
USPC D26/37-51, 56-60, 67, 113;
362/103-105, 184, 194-196, 202-206
CPC ... F21L 4/00; F21L 4/022; F21L 4/025; F21L
4/027; F21L 7/00; F21L 19/00; F21V
21/084; F21V 21/0085; F21W 2111/10
See application file for complete search history.

(56) **References Cited**
U.S. PATENT DOCUMENTS

D509,921 S * 9/2005 Lam D26/40
D535,771 S * 1/2007 Shiu D26/40

OTHER PUBLICATIONS

Office Action Received in Mexican Counterpart Application No. MX/f/2015/000572, dated Jun. 28, 2016 (1 page).

* cited by examiner

Primary Examiner — Sandra Morris
(74) *Attorney, Agent, or Firm* — Greenberg Traurig, LLP

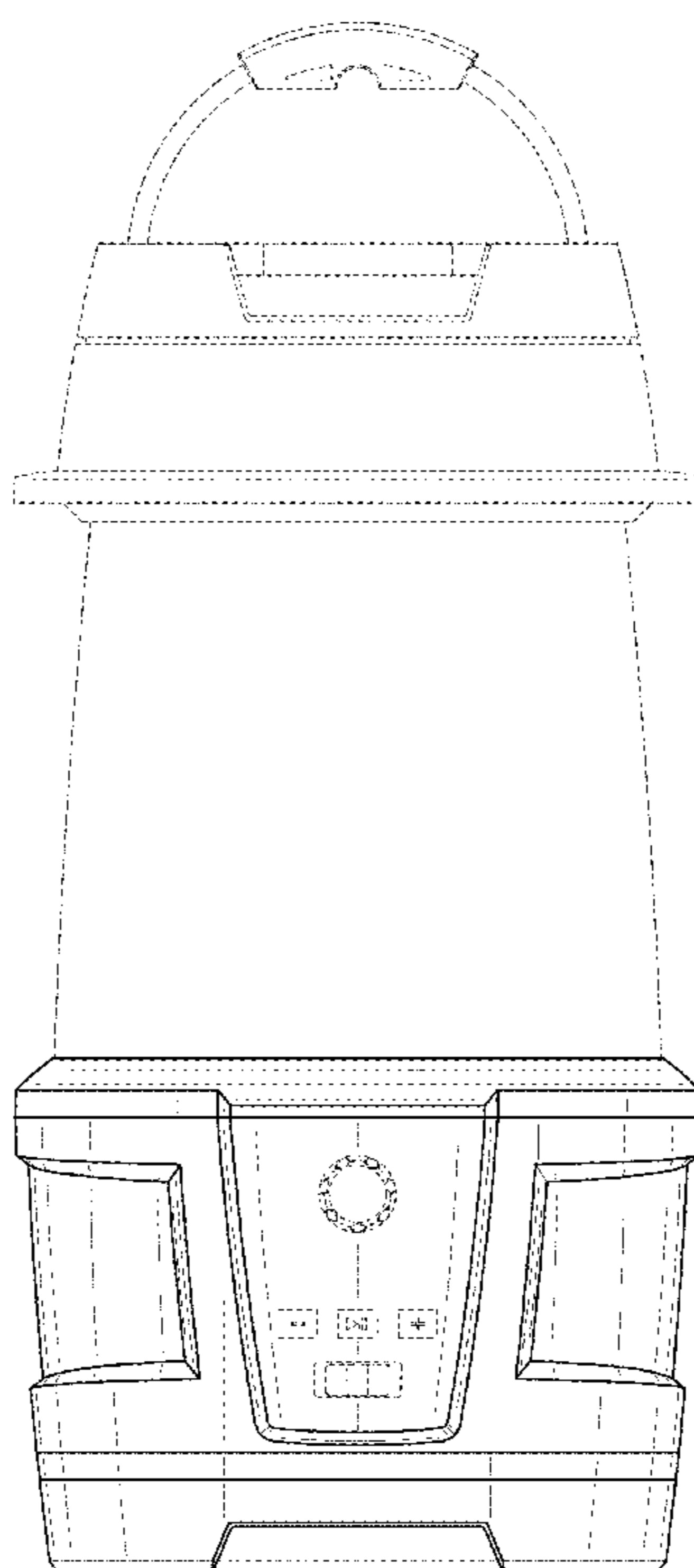
(57) **CLAIM**

The ornamental design for a lantern, as shown and described.

DESCRIPTION

FIG. 1 is a perspective view of my lantern;
FIG. 2 is a front view thereof;
FIG. 3 is a left side view thereof, the right side being a mirror image thereof; and,
FIG. 4 is a back view thereof.
The dashed lines in the figures form no part of the claimed design. All other surface(s) or portion(s) of my lantern not shown in the figures or otherwise described in the specification, such as the bottom thereof, form no part of the claimed design.

1 Claim, 4 Drawing Sheets



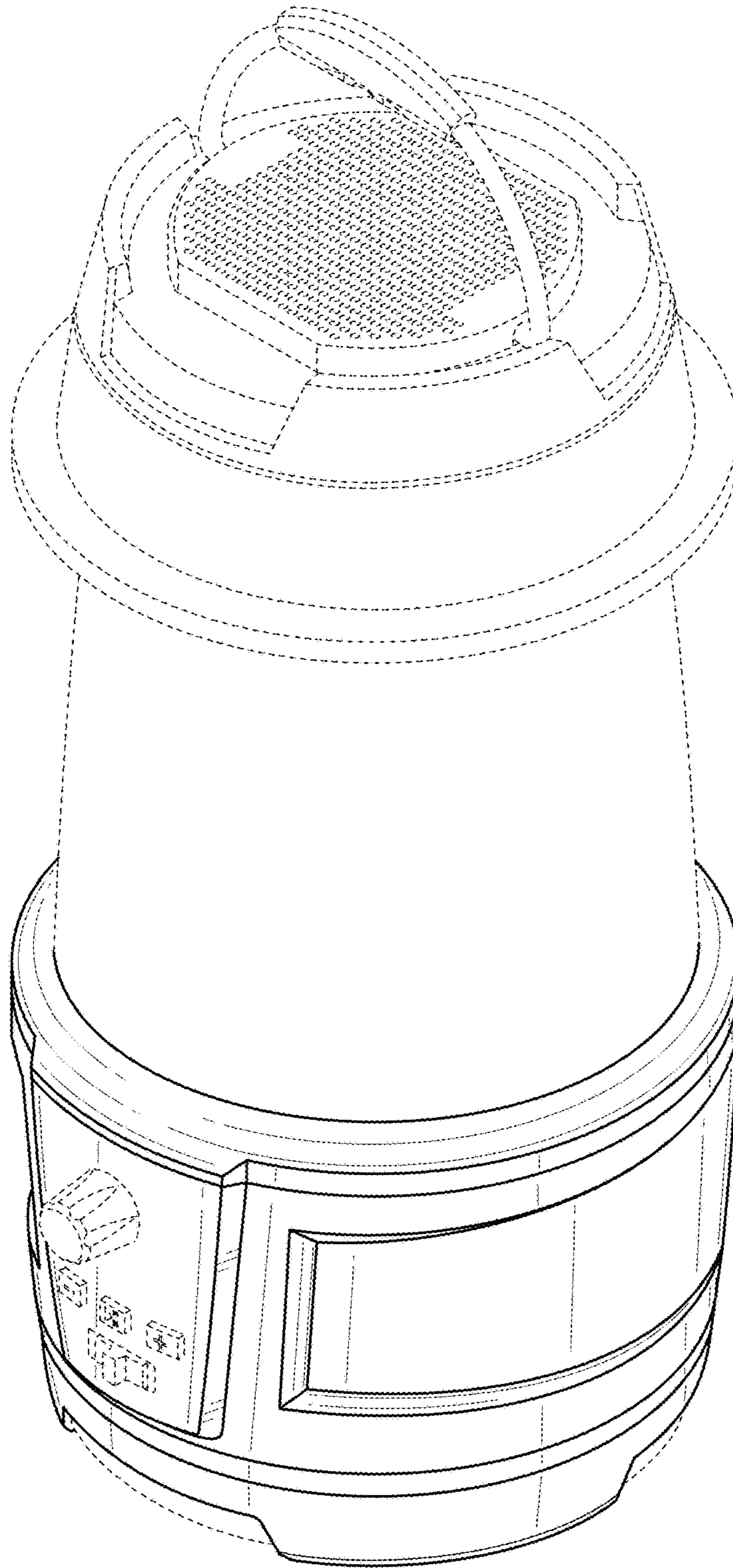


FIG. 1

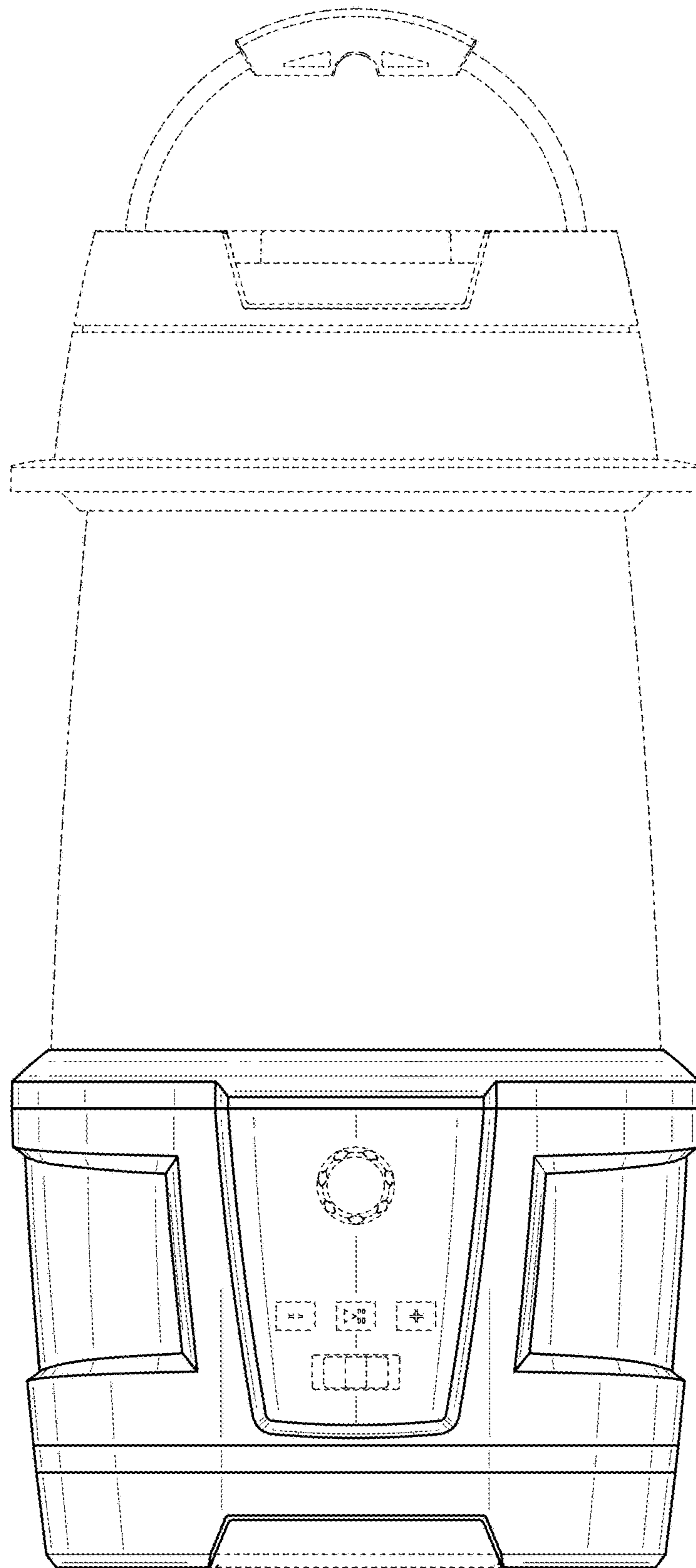


FIG. 2

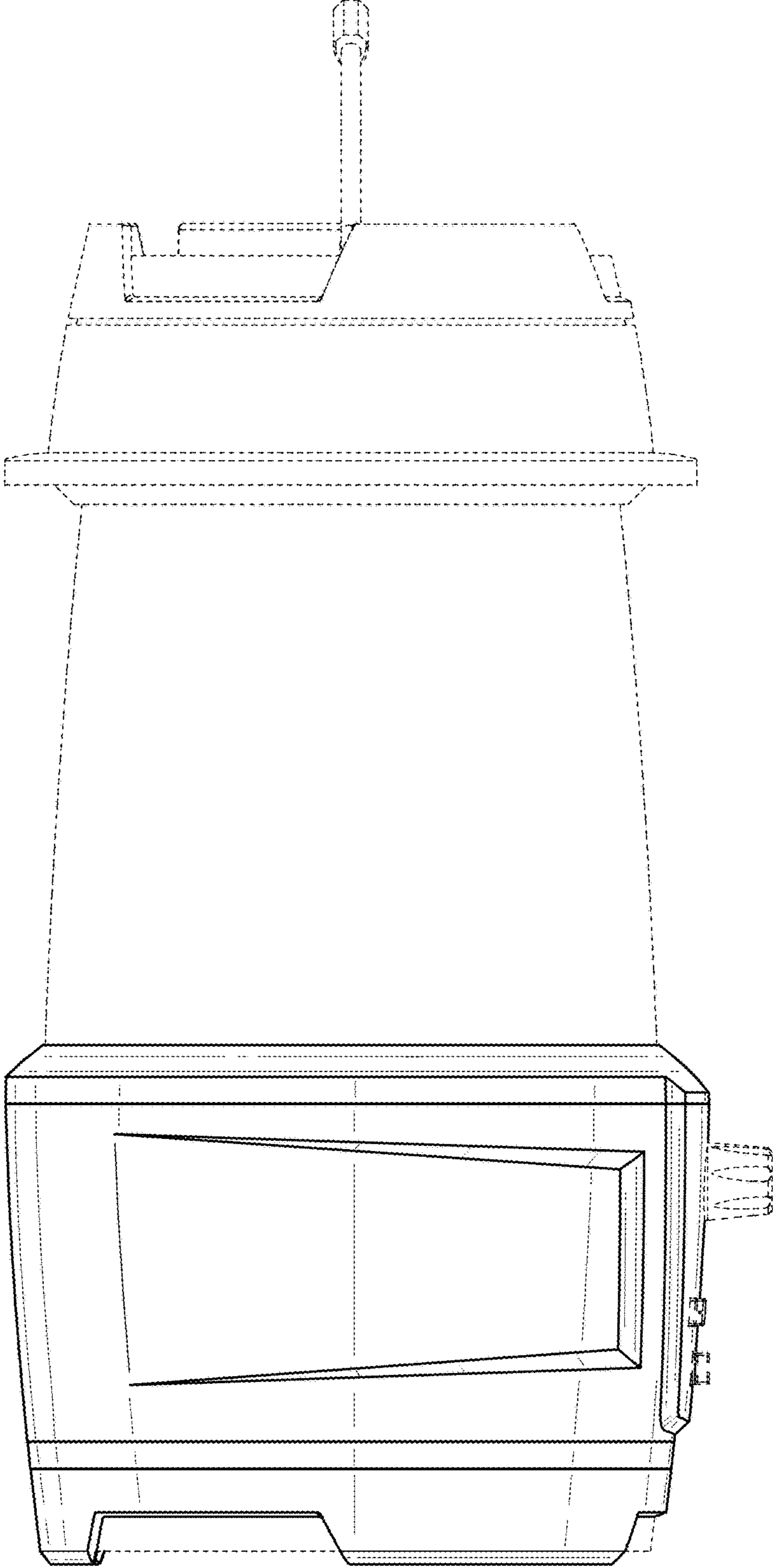


FIG. 3

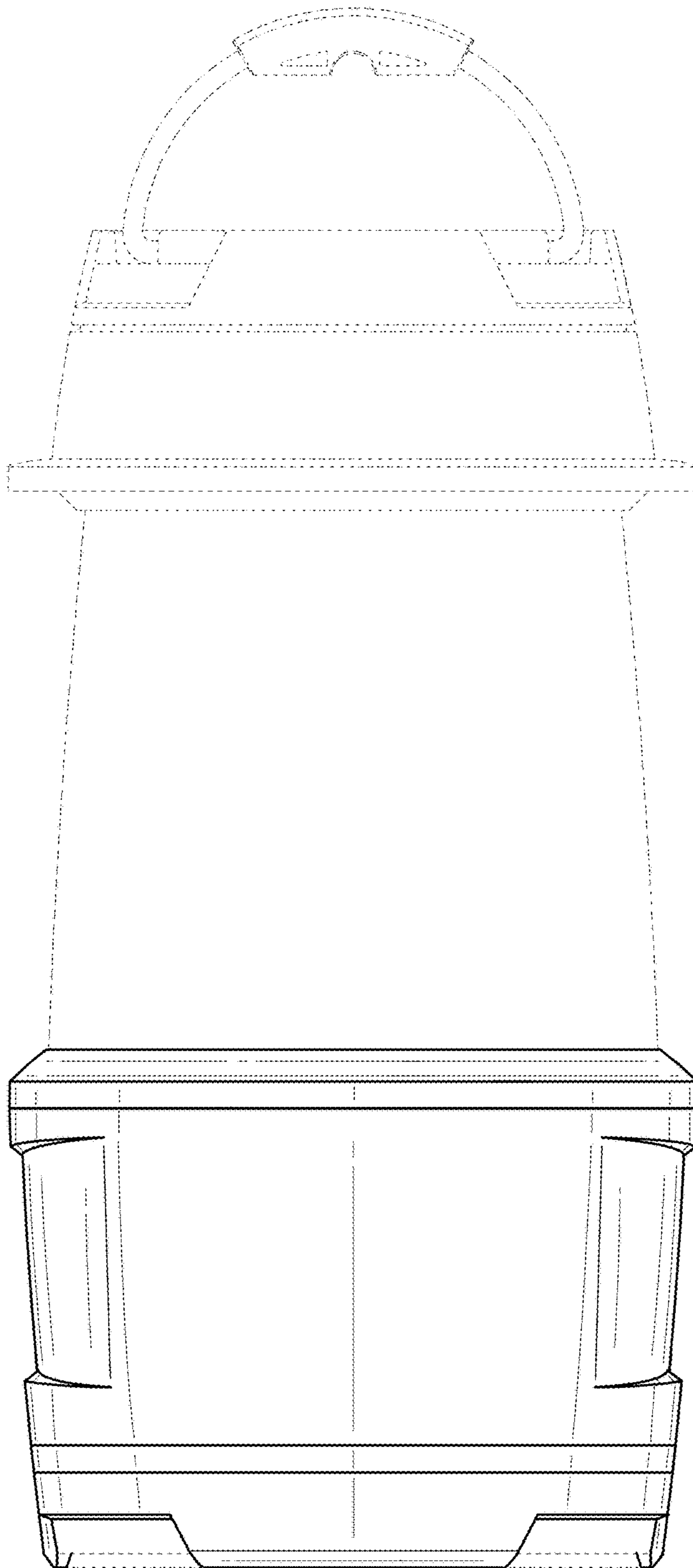


FIG. 4