



US00D794855S

(12) **United States Design Patent** (10) **Patent No.:** **US D794,855 S**
Prestidge-Kadrlik et al. (45) **Date of Patent:** **** Aug. 15, 2017**

- (54) **FLASHLIGHT WITH BOTTLE OPENER**
- (71) Applicant: **Spectrum Brands, Inc.**, Middleton, WI (US)
- (72) Inventors: **Christina Y. Prestidge-Kadrlik**, Madison, WI (US); **Daniel Teteak**, Madison, WI (US)
- (73) Assignee: **Spectrum Brands, Inc.**, Middleton, WI (US)
- (**) Term: **15 Years**

D456,252 S	4/2002	Weil	
D462,615 S	9/2002	Weil	
D467,672 S	12/2002	Galli	
D484,263 S	* 12/2003	Kelleghan	D26/37
D492,807 S	* 7/2004	Dalton	D26/49
D501,781 S	* 2/2005	Galli	D26/37
D503,005 S	* 3/2005	Fujita	D26/37
D512,168 S	* 11/2005	Suzuki	D26/37
D516,234 S	2/2006	Holsinger et al.	
D519,343 S	* 4/2006	Mazzei	D8/40
D528,689 S	9/2006	Opolka	
D544,118 S	* 6/2007	Osiecki	D26/37
D591,118 S	* 4/2009	Eide	D8/40
D593,694 S	6/2009	Bent	
D606,221 S	12/2009	Kung	

(Continued)

- (21) Appl. No.: **29/563,257**
- (22) Filed: **May 3, 2016**
- (51) **LOC (10) Cl.** **26-02**
- (52) **U.S. Cl.**
USPC **D26/38; D8/18**
- (58) **Field of Classification Search**
USPC D26/37, 38, 44, 42, 43, 46, 48, 49, 51;
D8/16-19, 33-43, 20, 367, 105
CPC F21L 2003/00; F21L 4/00; F21L 4/005;
F21L 4/02; F21L 4/025; F21L 4/027;
F21L 4/04; F21L 4/08; F21L 2005/00;
F21L 7/00; F21L 11/00; F21L 13/00;
B67B 7/14; B67B 7/16; B67B 7/18;
B67B 7/20; B67B 7/24
See application file for complete search history.

(56) **References Cited**

U.S. PATENT DOCUMENTS

D205,370 S	*	7/1966	Roeschlaub	81/3.57
D290,516 S		6/1987	Liu	
D342,800 S		12/1993	Petterson et al.	
D375,374 S		11/1996	Yuen	
D407,171 S		3/1999	Yuen	
D416,343 S		11/1999	Dalton et al.	
D440,334 S		4/2001	Yuen	
D455,059 S	*	4/2002	Stirling	D8/40

FOREIGN PATENT DOCUMENTS

EM	002813865-0001	10/2015
EM	003017672-0001	3/2016

Primary Examiner — Lakiya Rogers
Assistant Examiner — Carissa C Fitts

(74) *Attorney, Agent, or Firm* — Banner & Witcoff, Ltd.

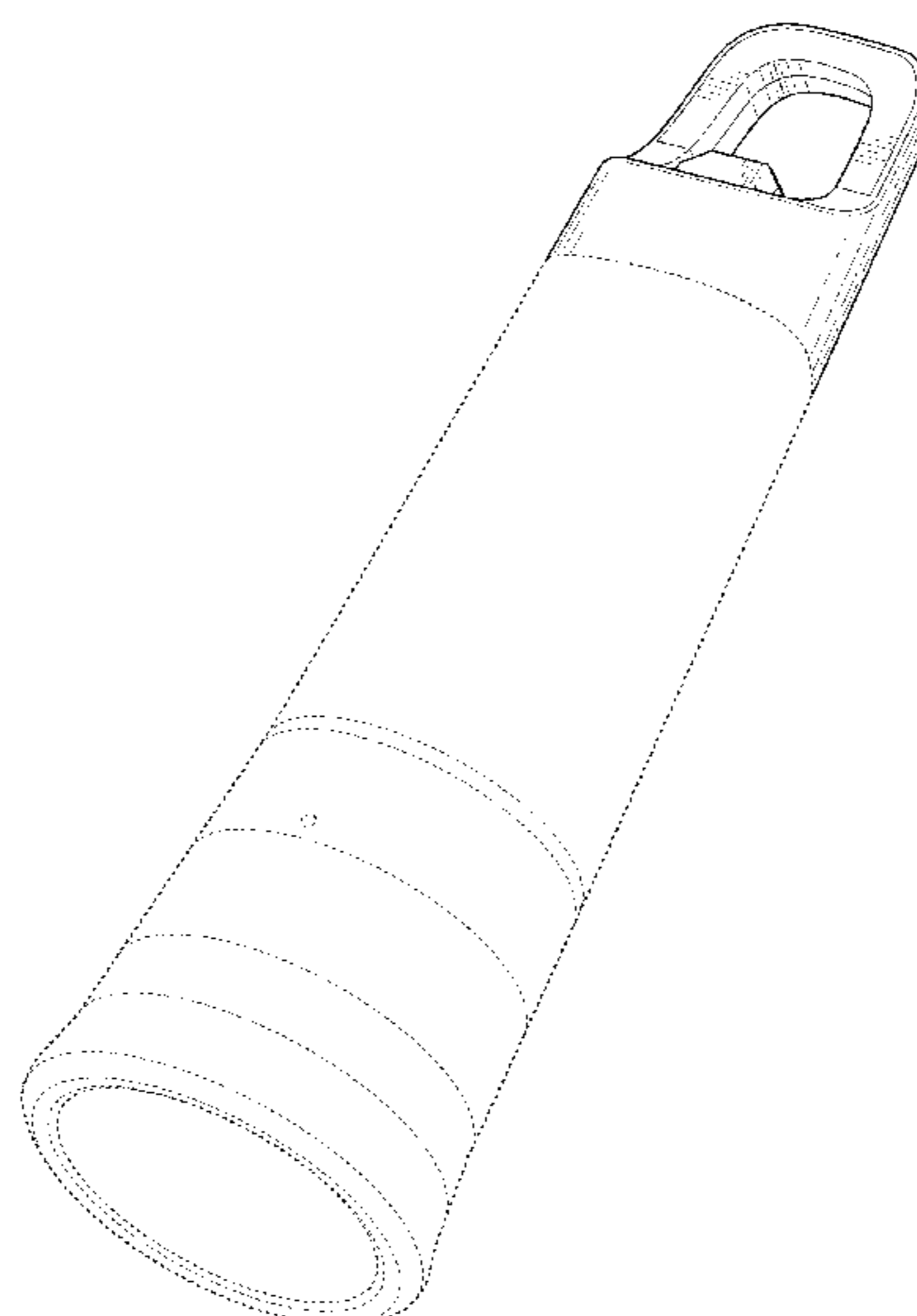
(57) **CLAIM**

The ornamental design for a flashlight with bottle opener, as shown and described.

DESCRIPTION

FIG. 1 is a front perspective view of a flashlight with bottle opener showing our new design; FIG. 2 is a top view thereof; FIG. 3 is a bottom view thereof; FIG. 4 is a right side view thereof; FIG. 5 is a left side view thereof; FIG. 6 is a rear view thereof; and, FIG. 7 is a front view thereof. The broken line showing of the remainder of the flashlight with bottle opener represents unclaimed subject matter and forms no part of the claimed design.

1 Claim, 7 Drawing Sheets



(56)

References Cited

U.S. PATENT DOCUMENTS

D606,689 S	12/2009	Bent	
D609,069 S *	2/2010	Fischer	D8/34
D652,971 S *	1/2012	Ormsbee	D26/38
D660,487 S *	5/2012	Wu	D26/38
D670,134 S *	11/2012	Di Lollo	D7/300.1
D677,412 S	3/2013	Smith	
D686,475 S	7/2013	Wu	
D698,960 S	2/2014	Wu	
D724,592 S *	3/2015	Han	D14/420
D725,809 S *	3/2015	Ford	D26/37
D738,021 S	9/2015	Wang	
D746,498 S	12/2015	Zhou	
D752,792 S	3/2016	Grandadam	

* cited by examiner

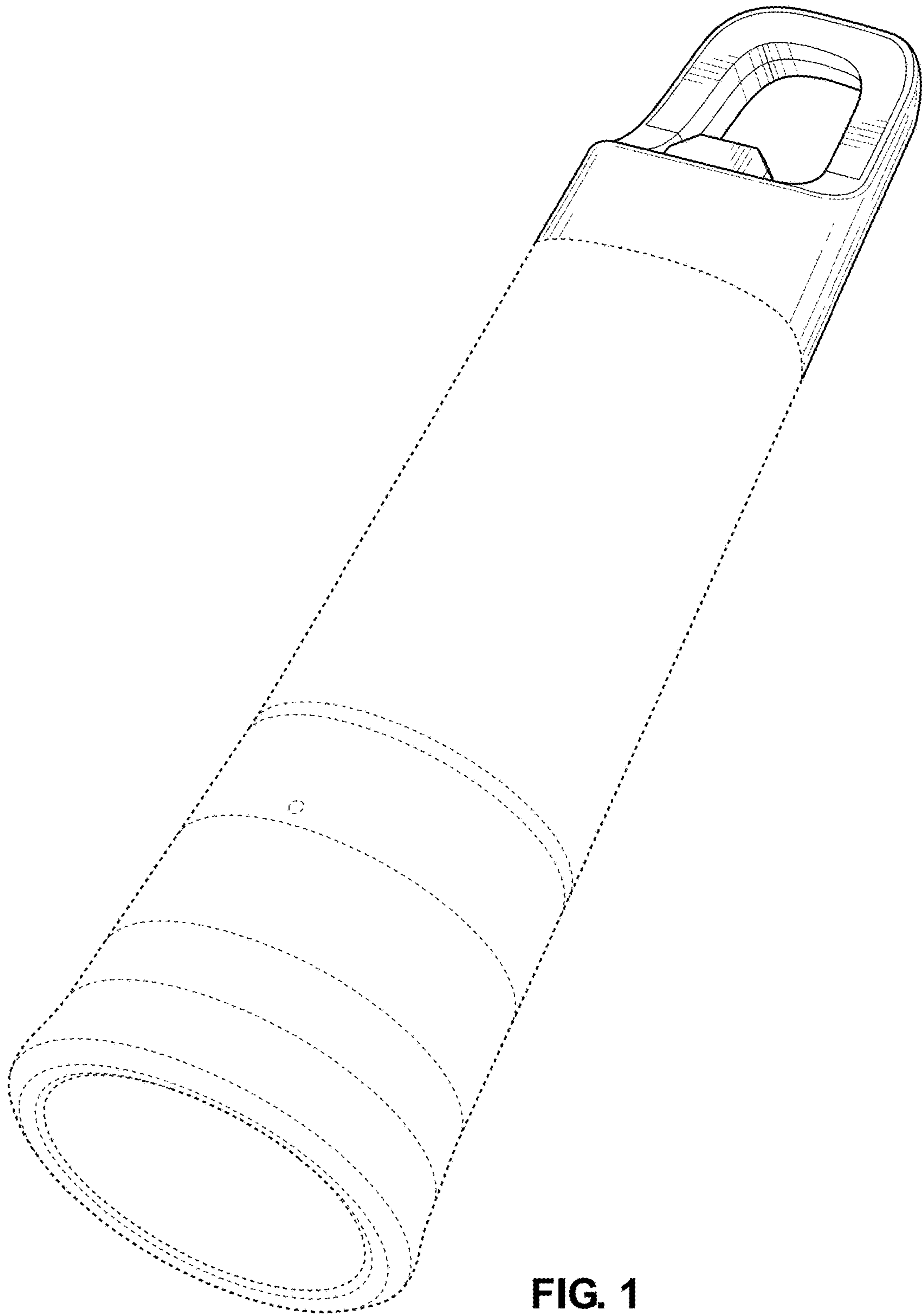


FIG. 1

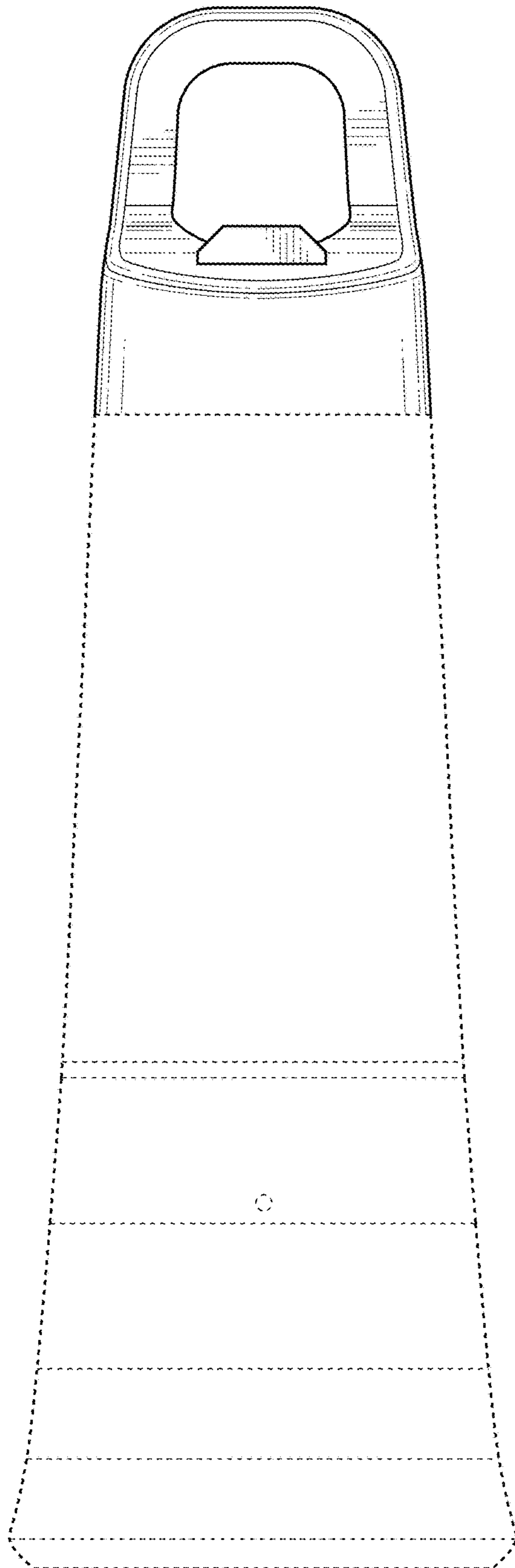


FIG. 2

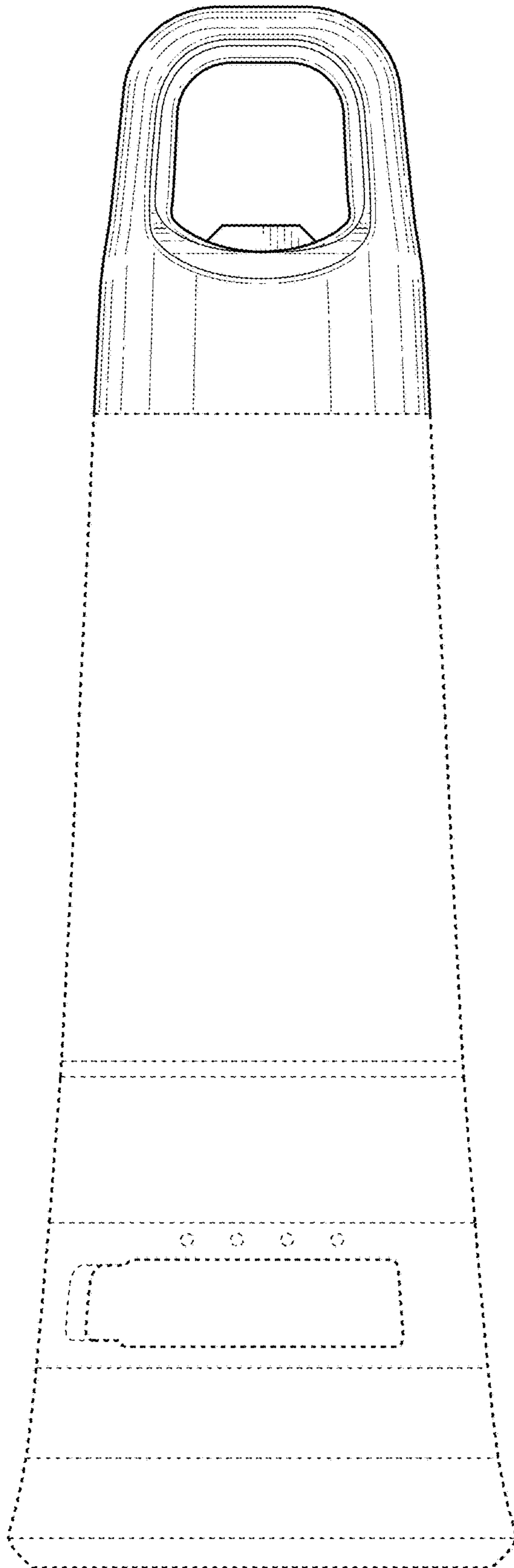


FIG. 3

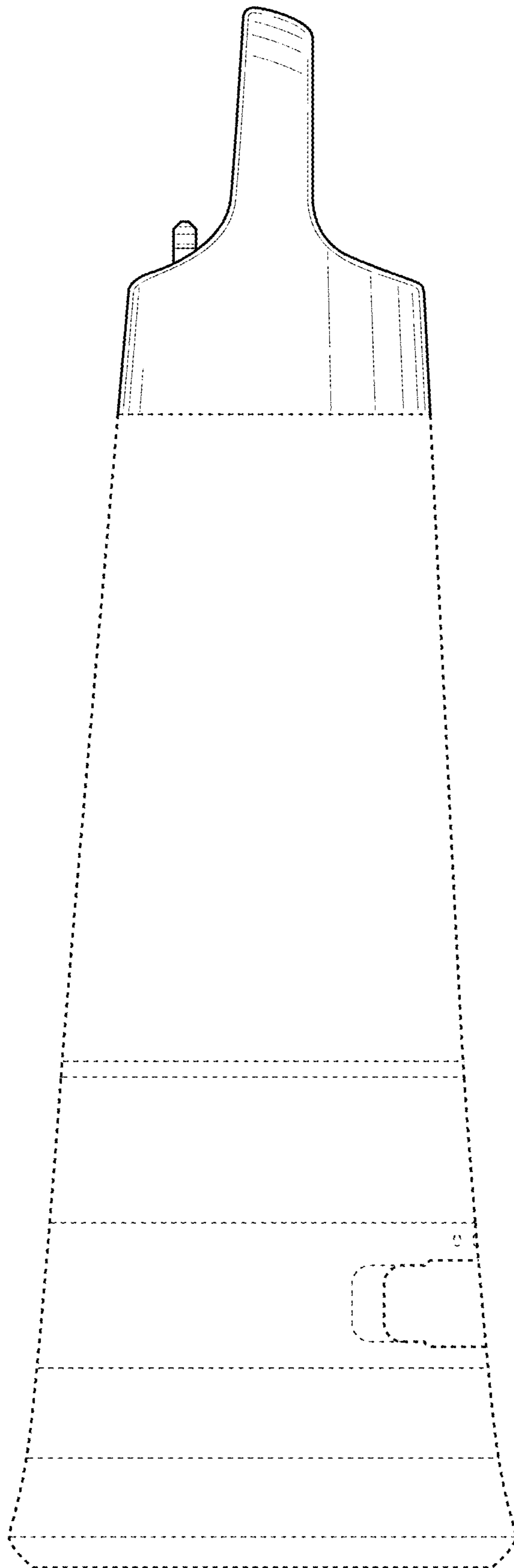


FIG. 4

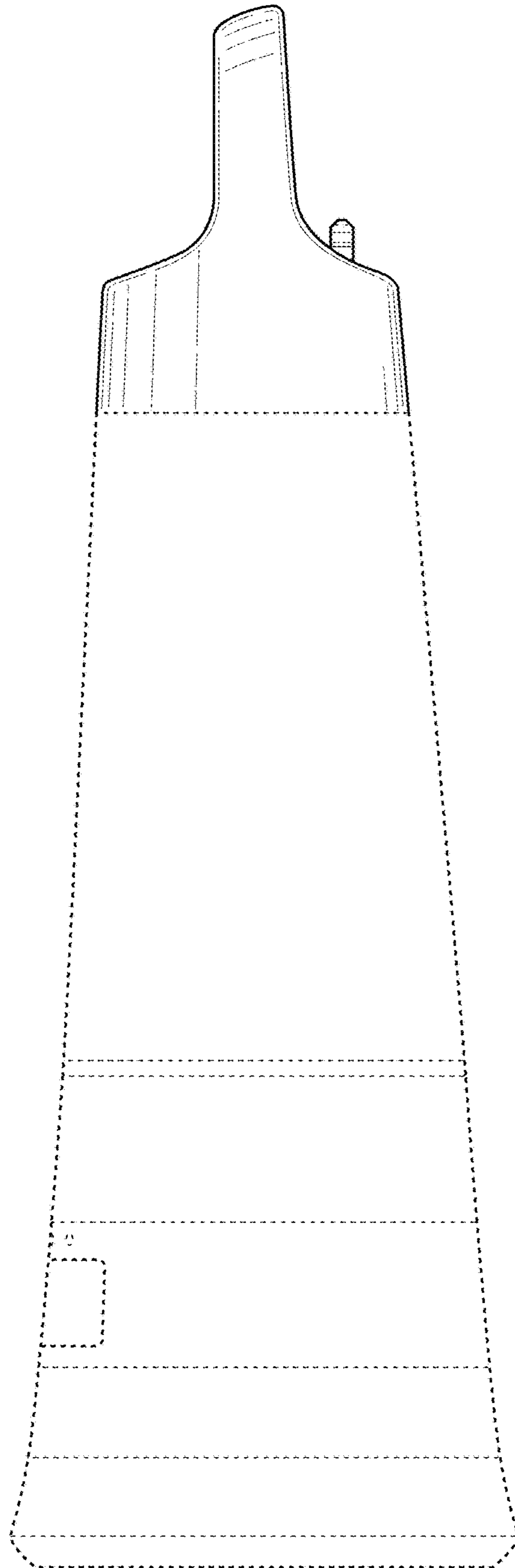


FIG. 5

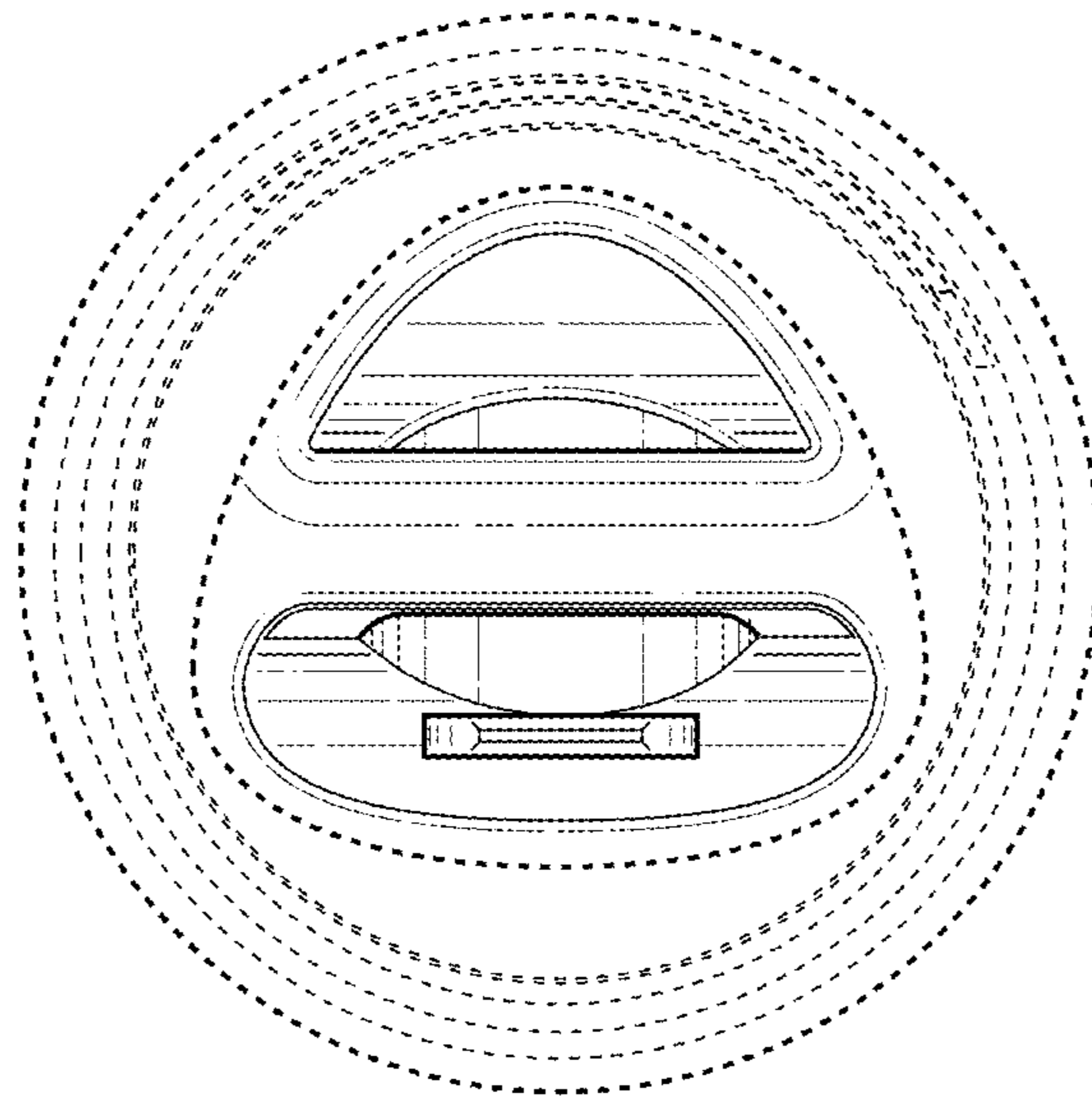


FIG. 6

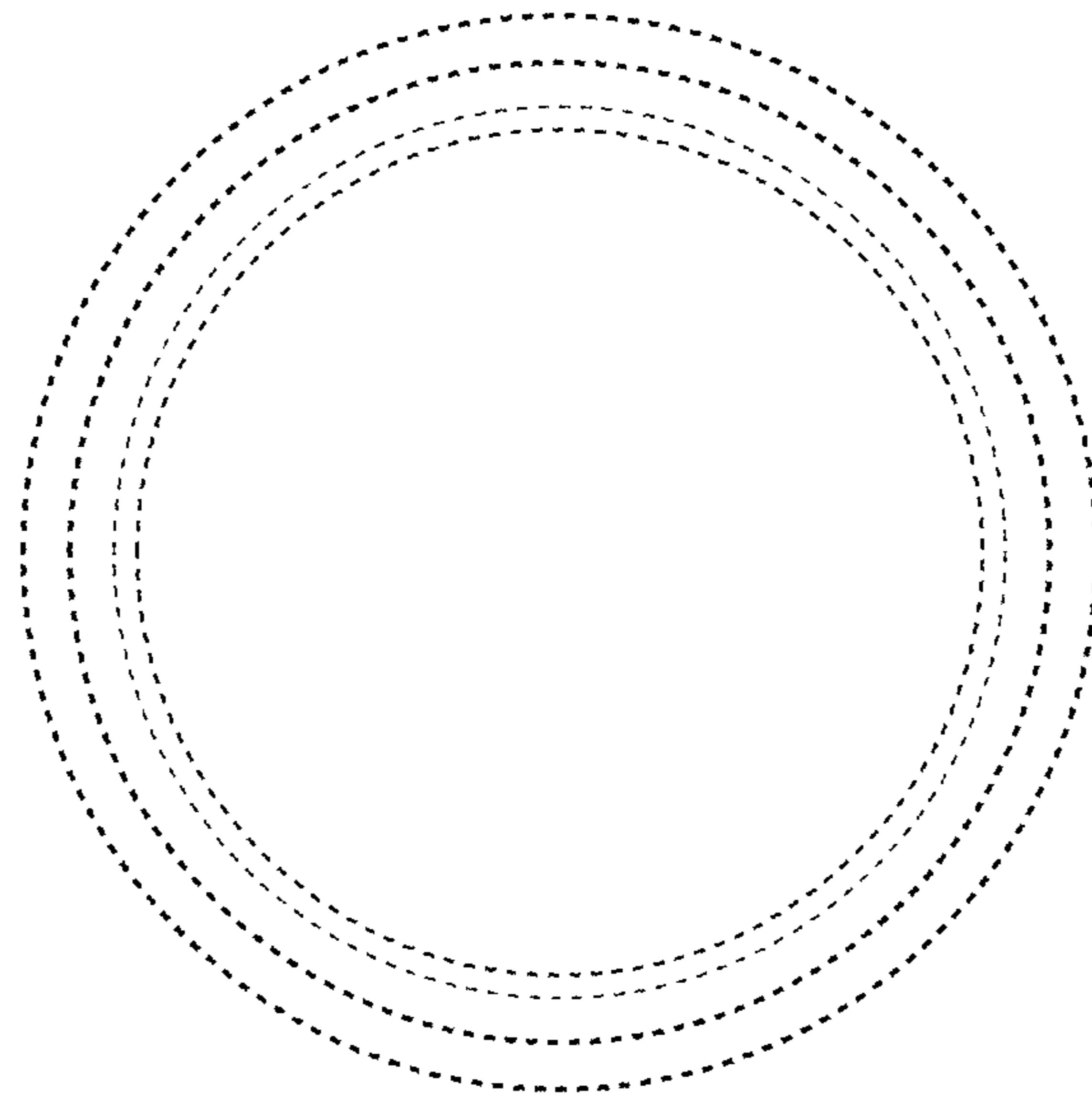


FIG. 7