



US00D794853S

(12) **United States Design Patent**
Lai

(10) **Patent No.:** **US D794,853 S**

(45) **Date of Patent:** **** Aug. 15, 2017**

(54) **VEHICLE HEADLIGHT**

(71) Applicant: **Ching-Tsung Lai**, Tainan (TW)

(72) Inventor: **Ching-Tsung Lai**, Tainan (TW)

(**) Term: **15 Years**

(21) Appl. No.: **29/576,186**

(22) Filed: **Aug. 31, 2016**

(51) **LOC (10) Cl.** **26-06**

(52) **U.S. Cl.**
USPC **D26/28**

(58) **Field of Classification Search**

USPC D26/28-36; 362/80-83, 267-269,
362/459-468, 475-478, 485-487

CPC F21S 48/00; F21S 48/10; F21S 48/115;
F21S 48/1233; F21S 48/1266; F21S
48/1388; F21S 48/2268; F21V 21/004;
B60Q 9/13; B60Q 9/135; B60Q 9/1375

See application file for complete search history.

(56) **References Cited**

U.S. PATENT DOCUMENTS

D538,956 S * 3/2007 Ishii D26/28
D544,614 S * 6/2007 Markefka D26/28

D561,358 S * 2/2008 Tachibana D26/28
D570,007 S * 5/2008 Hsu D26/28
D593,232 S * 5/2009 Koman D26/28
D635,694 S * 4/2011 Yang D26/28
D748,303 S 1/2016 Sato

* cited by examiner

Primary Examiner — Marcus Jackson

(74) *Attorney, Agent, or Firm* — Alexander Chen, Esq.

(57) **CLAIM**

An ornamental design for an vehicle headlight, as shown and described.

DESCRIPTION

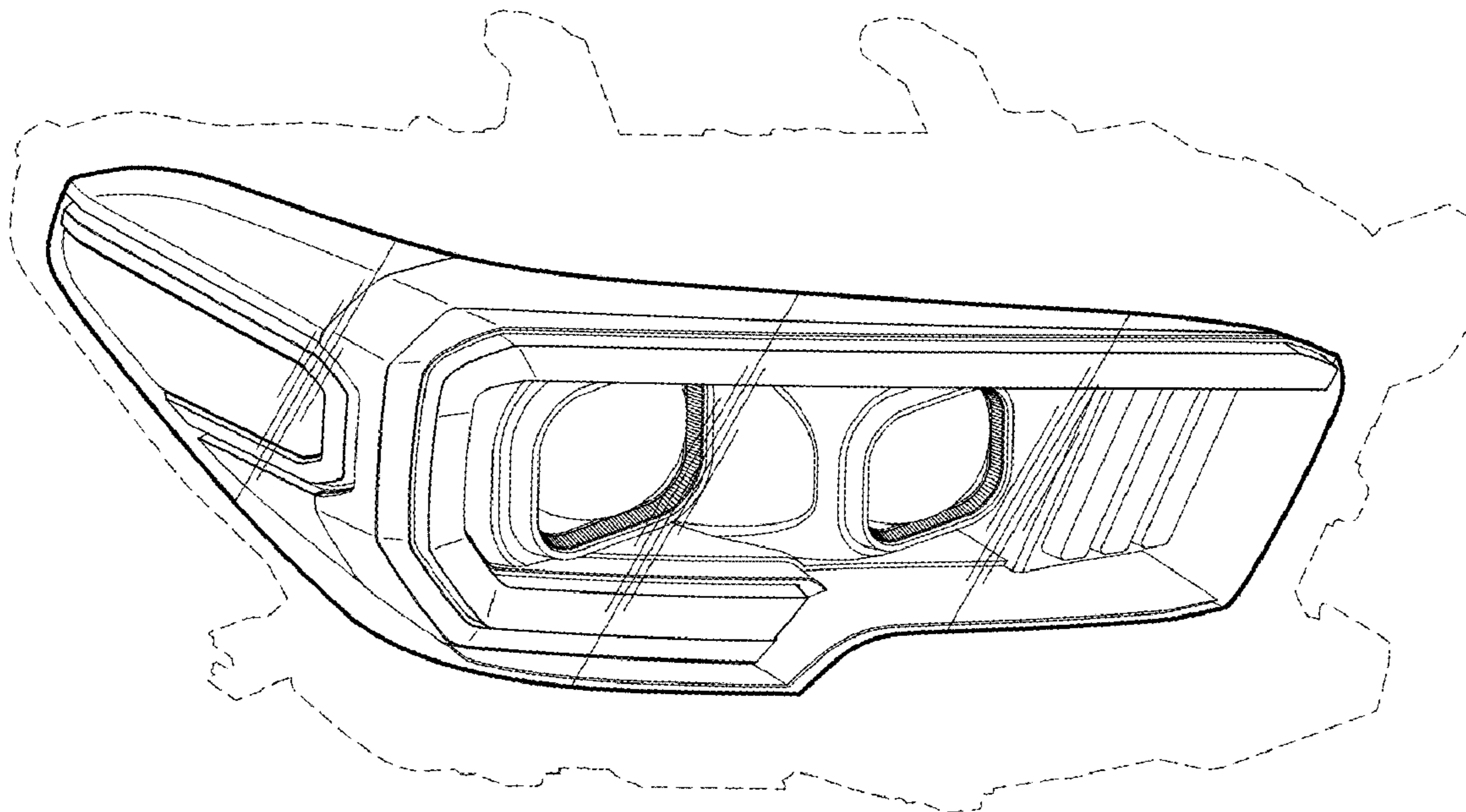
FIG. 1 is a perspective view of an vehicle headlight. The dash line included denotes environment and is not part of the claimed design.

FIG. 2 is a front view thereof;

FIG. 3 is a side view thereof; and,

FIG. 4 is a top view thereof.

1 Claim, 4 Drawing Sheets



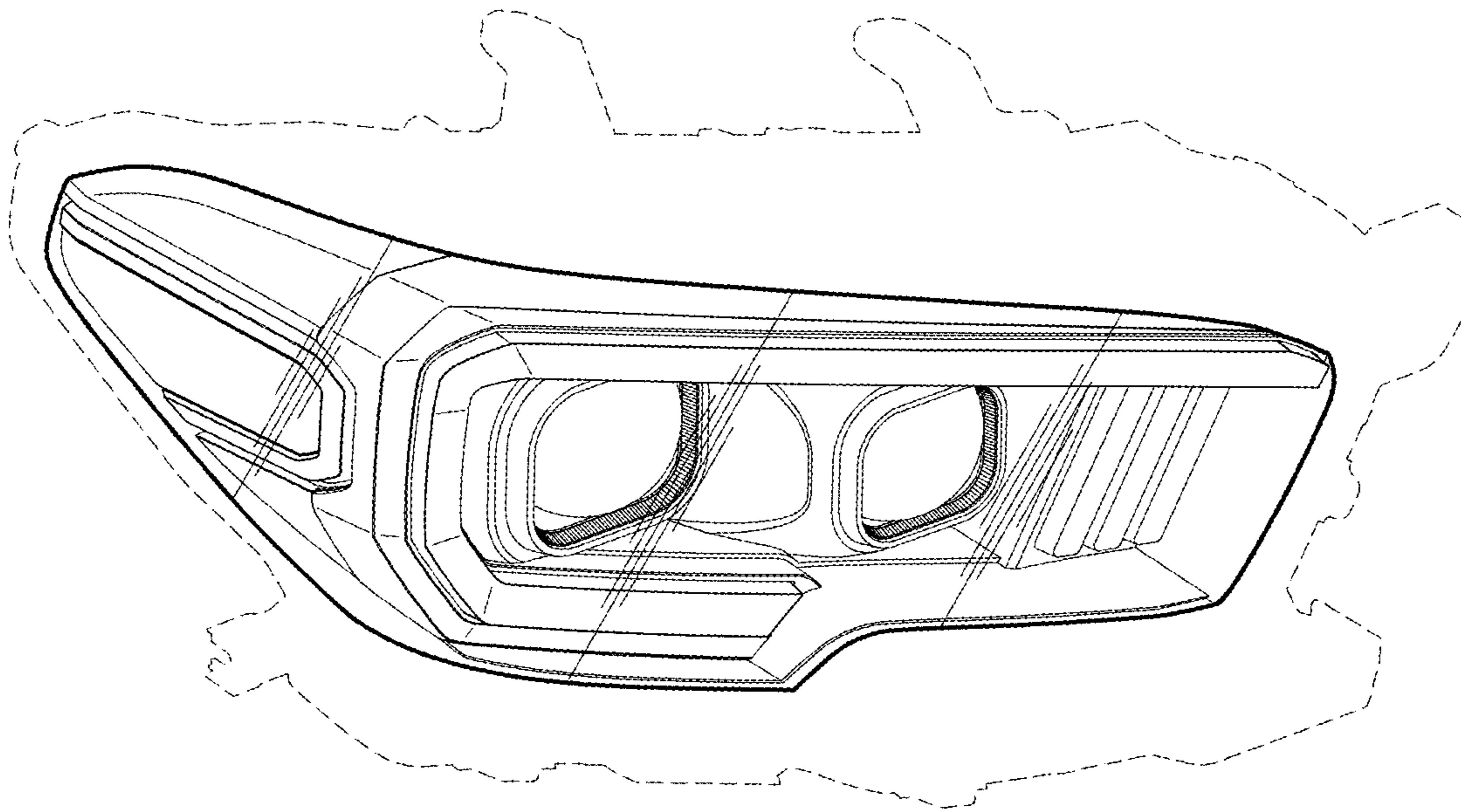


FIG. 1

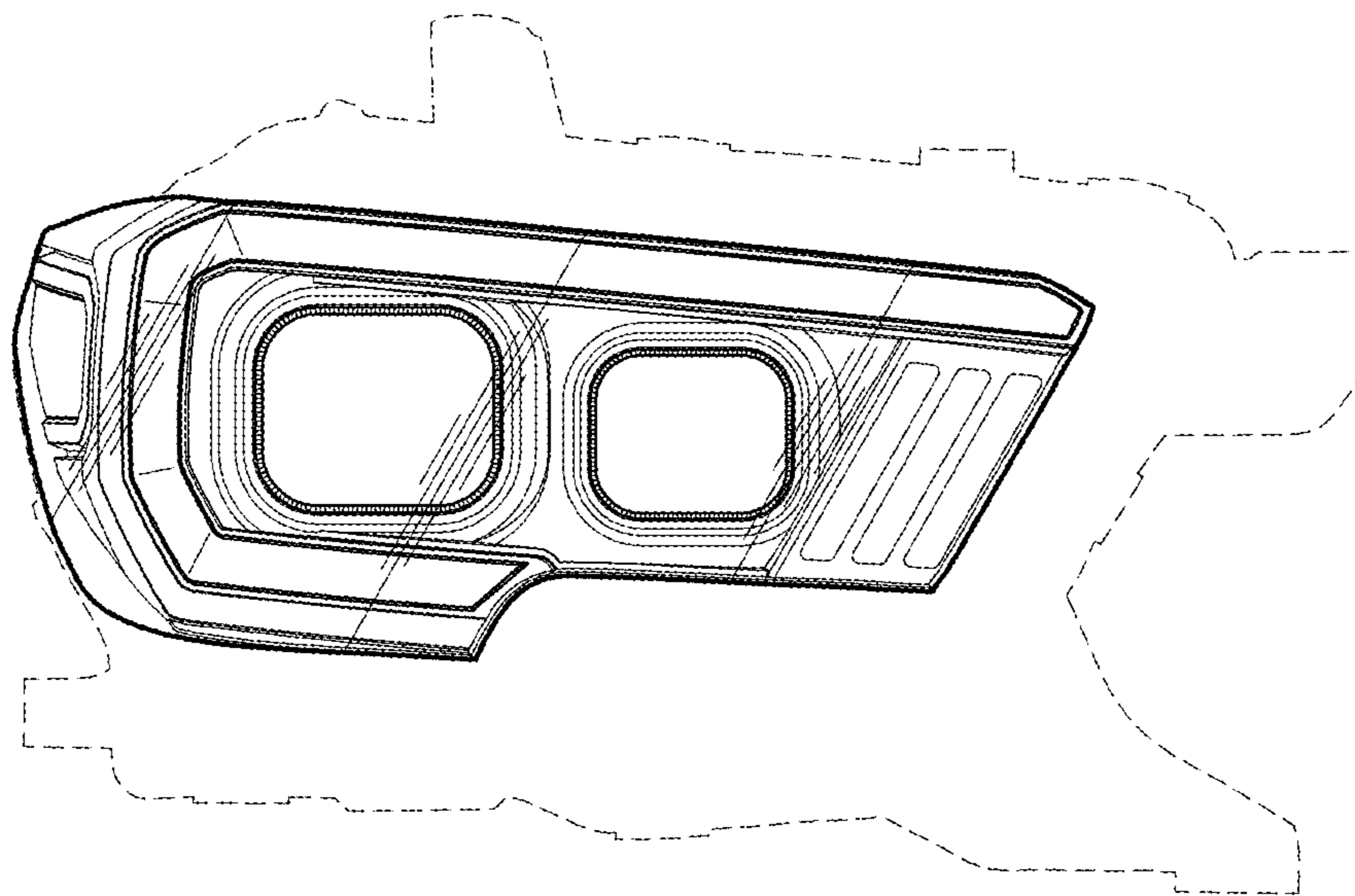


FIG. 2

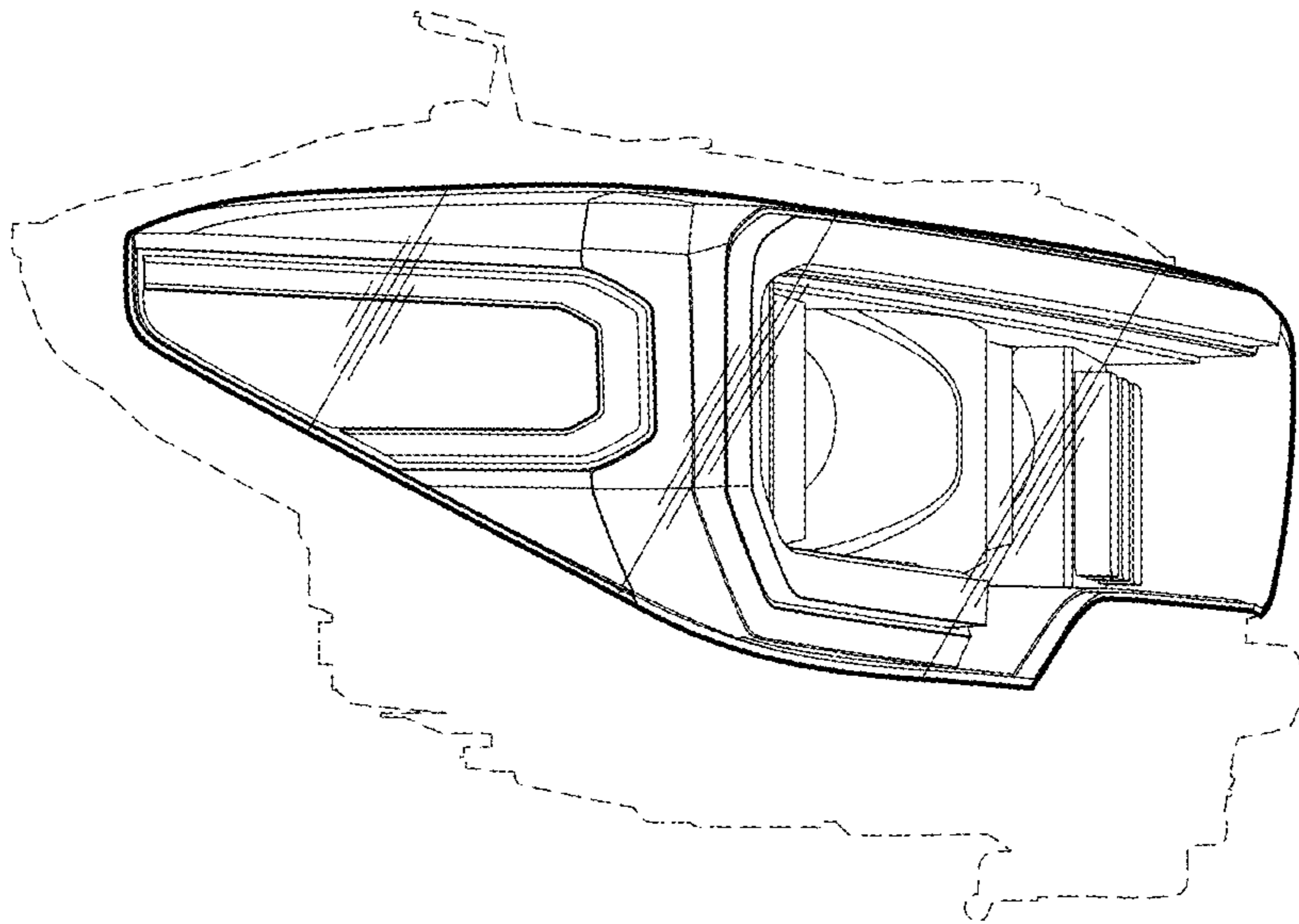


FIG. 3

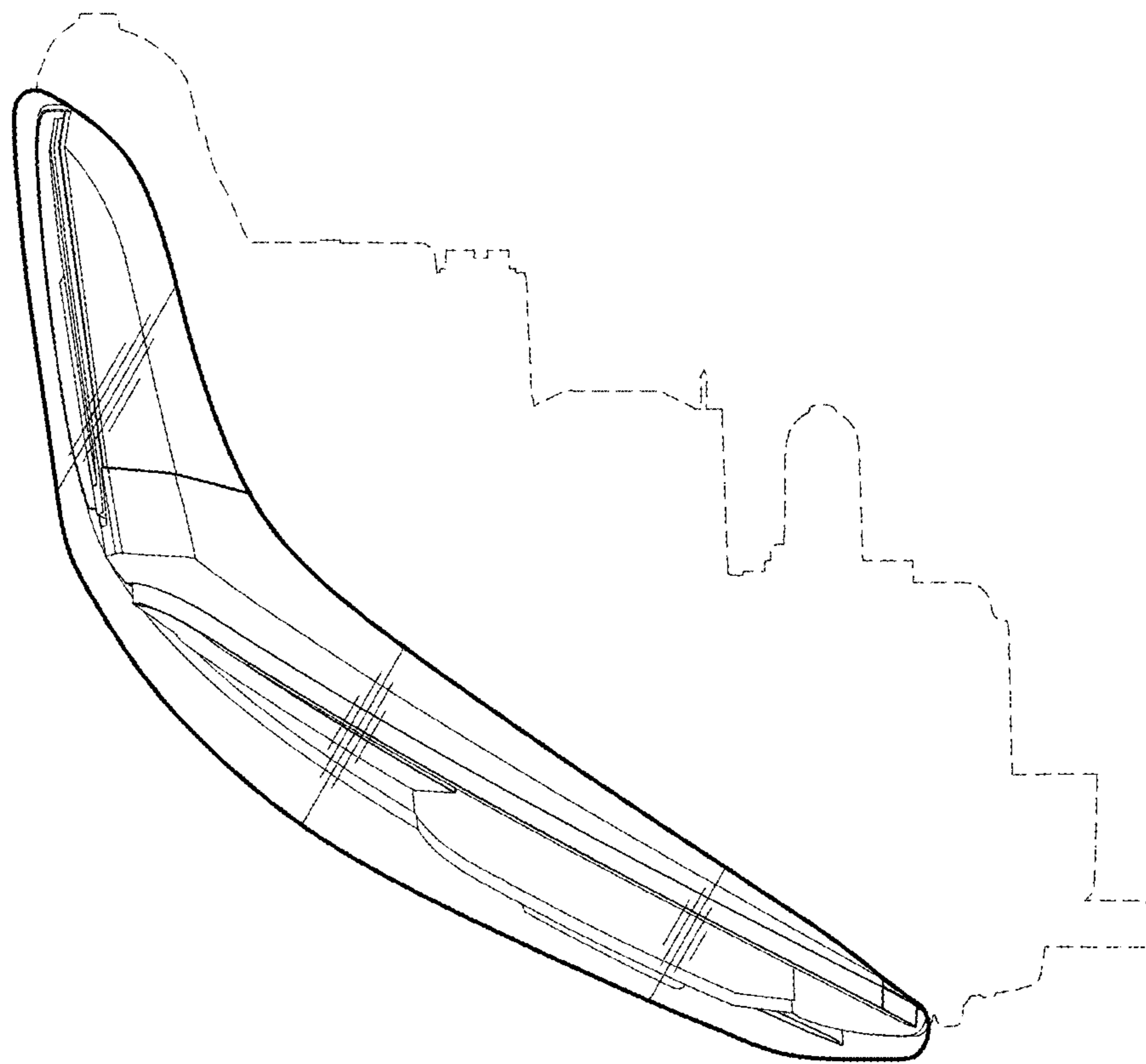


FIG. 4