



US00D794847S

(12) **United States Design Patent**
Fujiwara et al.

(10) **Patent No.:** **US D794,847 S**

(45) **Date of Patent:** **** Aug. 15, 2017**

(54) **REAR COMBINATION LAMP FOR AN
AUTOMOBILE**

(71) Applicant: **Nissan Motor Co., Ltd.**, Yokohama,
Kanagawa (JP)

(72) Inventors: **Masahide Fujiwara**, Kanagawa (JP);
En Hung Liu, Beijing (CN)

(73) Assignee: **Nissan Motor Co., Ltd.**, Yokohama
(JP)

(**) Term: **15 Years**

(21) Appl. No.: **29/563,166**

(22) Filed: **May 3, 2016**

(30) **Foreign Application Priority Data**

Nov. 4, 2015 (JP) 2015-024568

(51) **LOC (10) Cl.** **26-06**

(52) **U.S. Cl.**
USPC **D26/28**

(58) **Field of Classification Search**
USPC D26/28–36; 362/80–83, 267–269,
362/459–468, 475–478, 485–487

(Continued)

(56) **References Cited**

U.S. PATENT DOCUMENTS

D596,323 S 7/2009 Ishizuka et al.
D671,248 S 11/2012 Fuchigami et al.

(Continued)

FOREIGN PATENT DOCUMENTS

JP D1268594 S 4/2006
JP D1268599 S 4/2006

(Continued)

Primary Examiner — Marcus Jackson

(74) *Attorney, Agent, or Firm* — Global IP Counselors,
LLP

(57) **CLAIM**

The ornamental design for a rear combination lamp for an automobile, as shown and described.

DESCRIPTION

FIG. 1 is a front elevational view of a rear combination lamp for an automobile in accordance with a first embodiment of our new design;

FIG. 2 is a rear elevational view of the rear combination lamp in accordance with the first embodiment of our new design of FIG. 1;

FIG. 3 is a top plan view of the rear combination lamp in accordance with the first embodiment of our new design of FIGS. 1 and 2;

FIG. 4 is a bottom plan view of the rear combination lamp in accordance with the first embodiment of our new design of FIGS. 1 to 3;

FIG. 5 is a right side elevational view of the rear combination lamp in accordance with the first embodiment of our new design of FIGS. 1 to 4;

FIG. 6 is a left side elevational view of the rear combination lamp in accordance with the first embodiment of our new design of FIGS. 1 to 5; and,

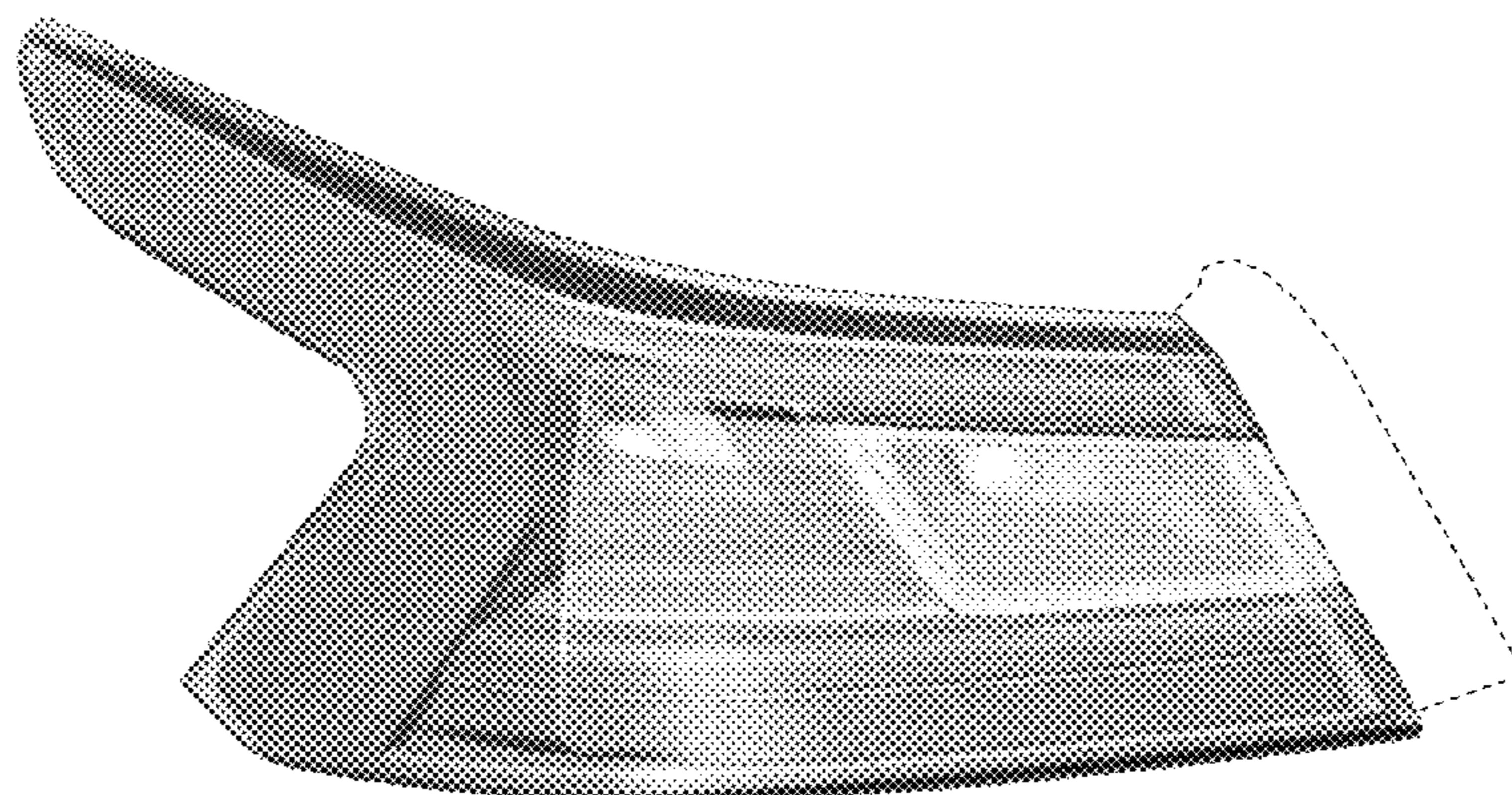
FIG. 7 is a front side perspective view of the rear combination lamp in accordance with the first embodiment of our new design of FIGS. 1 to 6.

The rear elevational view of FIG. 2 and the left side elevational view of FIG. 6 form no part of the claimed design. In addition, the rear combination lamp is configured to be mounted to an automobile. The mounting structure and support structure of the rear combination lamp, visible in FIGS. 2 to 7, form no part of the claimed design since the mounting structure and support structure are hidden when the rear combination lamp is mounted to the automobile.

In addition, the appearance of the rear side structures and inside side structures of the rear combination lamp as seen in FIGS. 2 to 7 is for purpose of illustrating the boundaries of the exterior surface of the outside of the rear combination lamp, and forms no part of the claimed design.

A second embodiment of our new design is identical to the first embodiment except that the second embodiment of our

(Continued)



new design includes the mirror image of the rear combination lamp shown in FIGS. 1 to 7.

1 Claim, 7 Drawing Sheets

(58) Field of Classification Search

CPC F21S 48/00; F21S 48/10; F21S 48/115;
F21S 48/225; F21S 48/1233; F21S
48/1266; F21S 48/1388; F21S 48/2268;
F21V 21/04

See application file for complete search history.

(56) References Cited

U.S. PATENT DOCUMENTS

D674,940 S * 1/2013 Lai D26/28
D709,632 S 7/2014 Sato et al.

D709,633 S 7/2014 Kabata
D718,893 S * 12/2014 Lai D26/28
D720,870 S * 1/2015 Lim D26/28
D721,196 S * 1/2015 Lai D26/28
D739,578 S * 9/2015 Han D26/28
D747,512 S * 1/2016 Lai D26/28
D747,515 S * 1/2016 McMahan D26/28
D752,255 S * 3/2016 Futschik D26/28
D752,784 S 3/2016 Whang et al.

FOREIGN PATENT DOCUMENTS

JP D1271817 S 5/2006
JP D1348561 S 1/2009
JP D1419129 S 7/2012
JP D1474632 S 7/2013
JP D1479645 S 9/2013
JP D1501253 S 6/2015
JP D1517397 S 2/2016

* cited by examiner

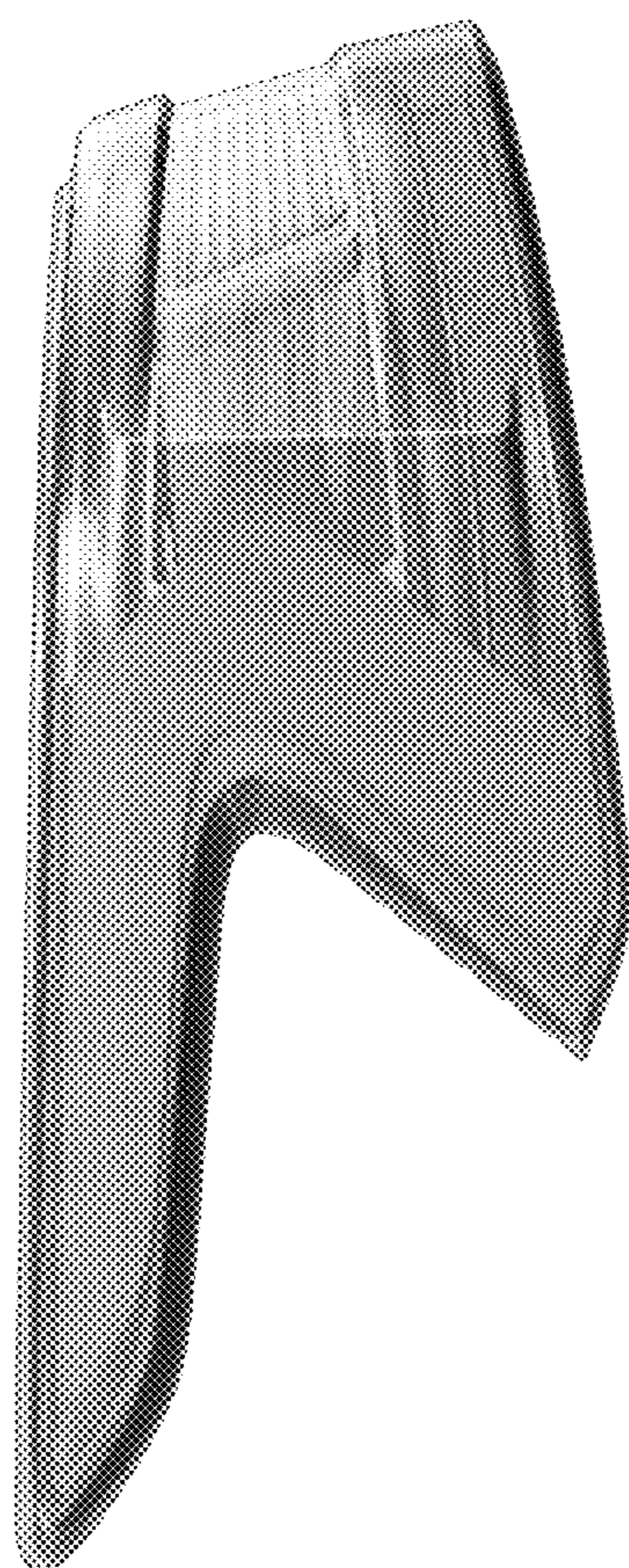


FIG. 1



FIG. 2



FIG. 3

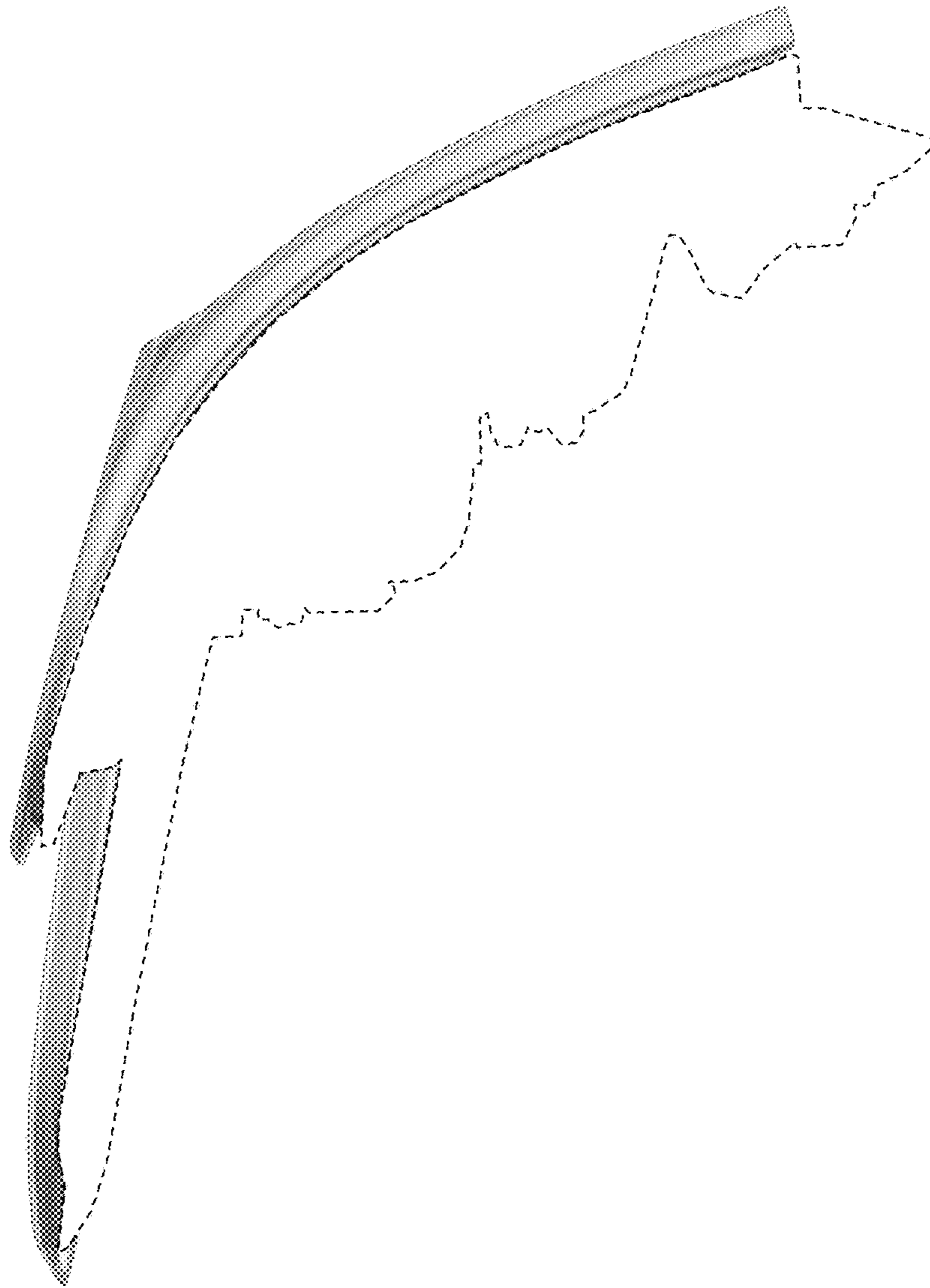


FIG. 4

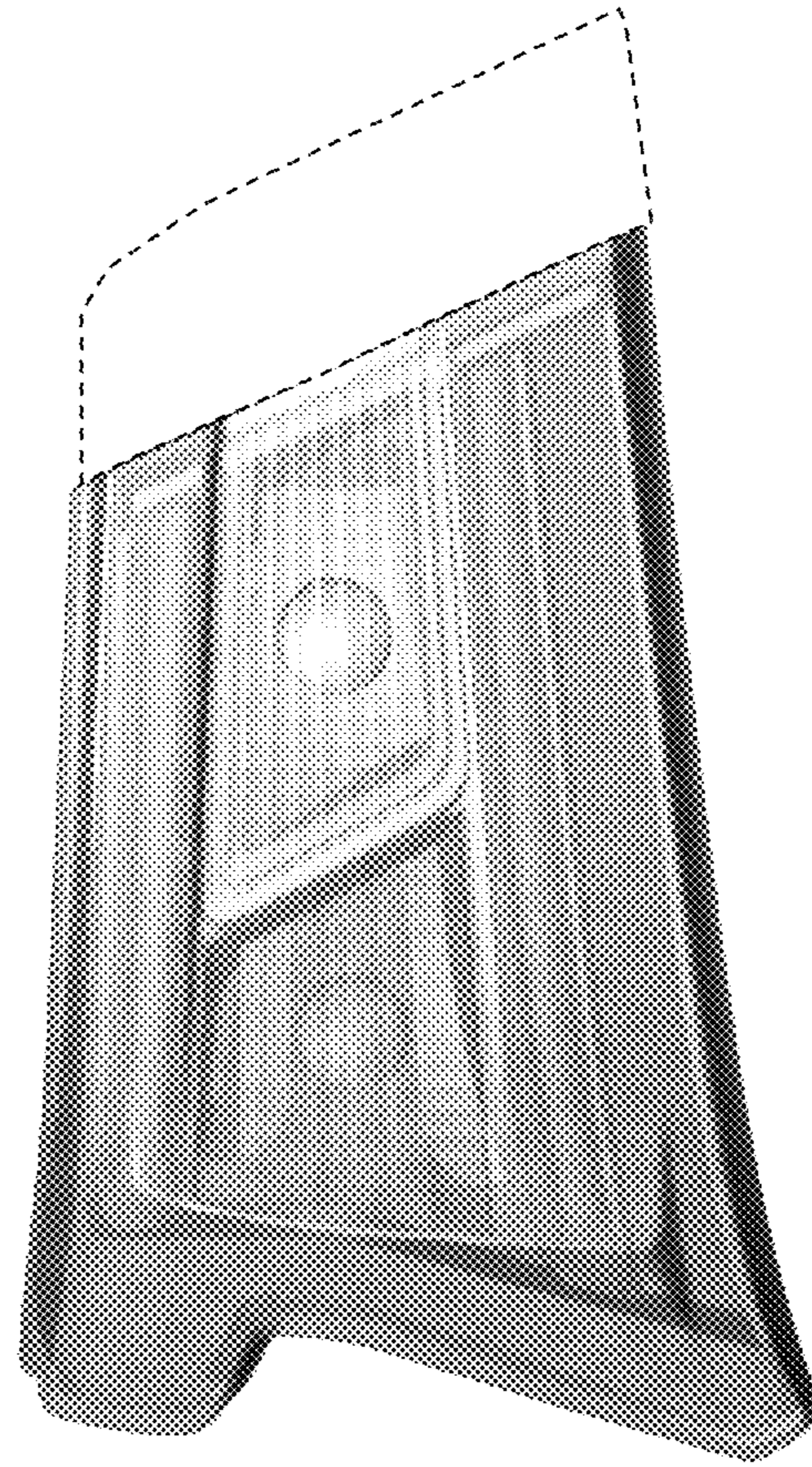


FIG. 5

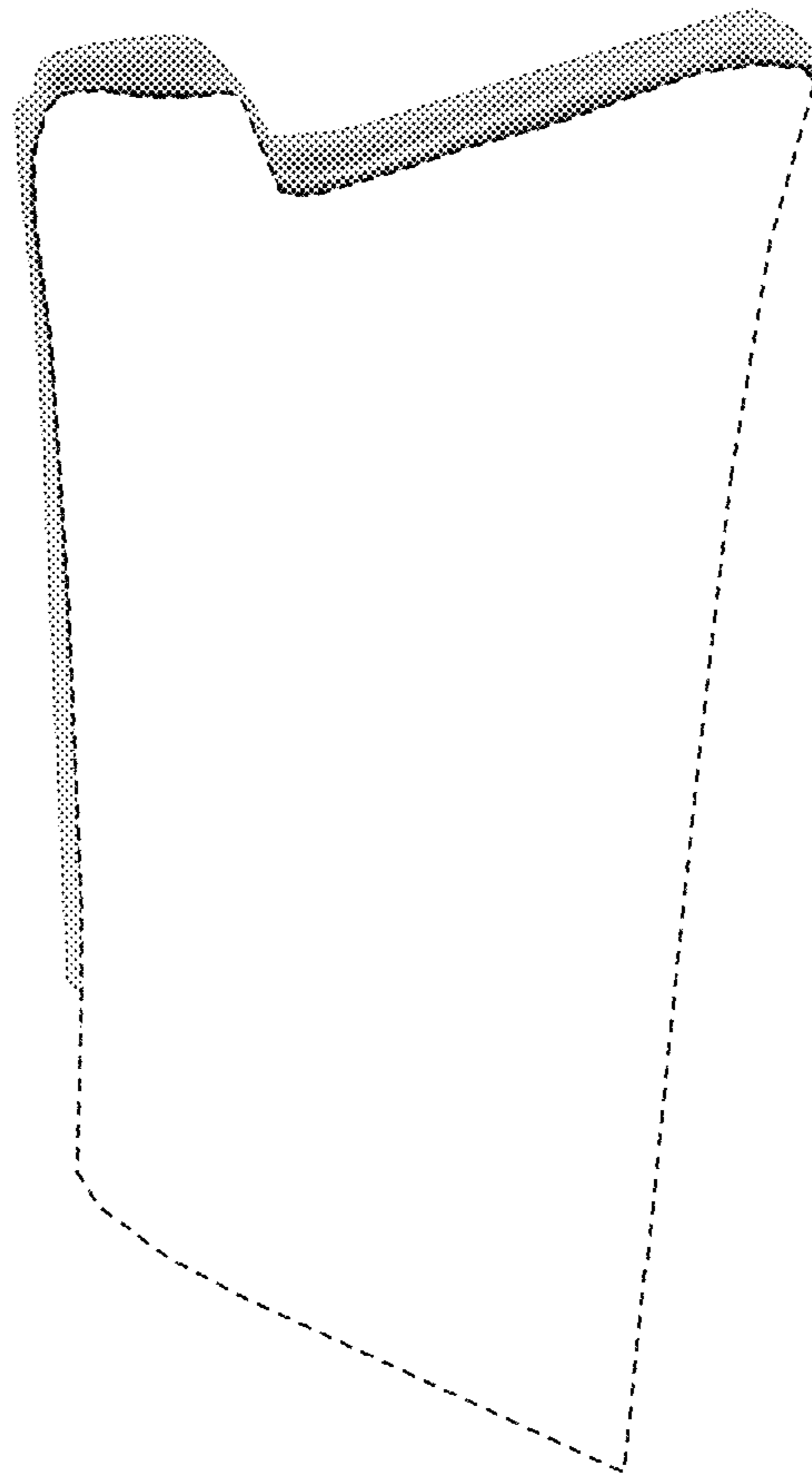


FIG. 6

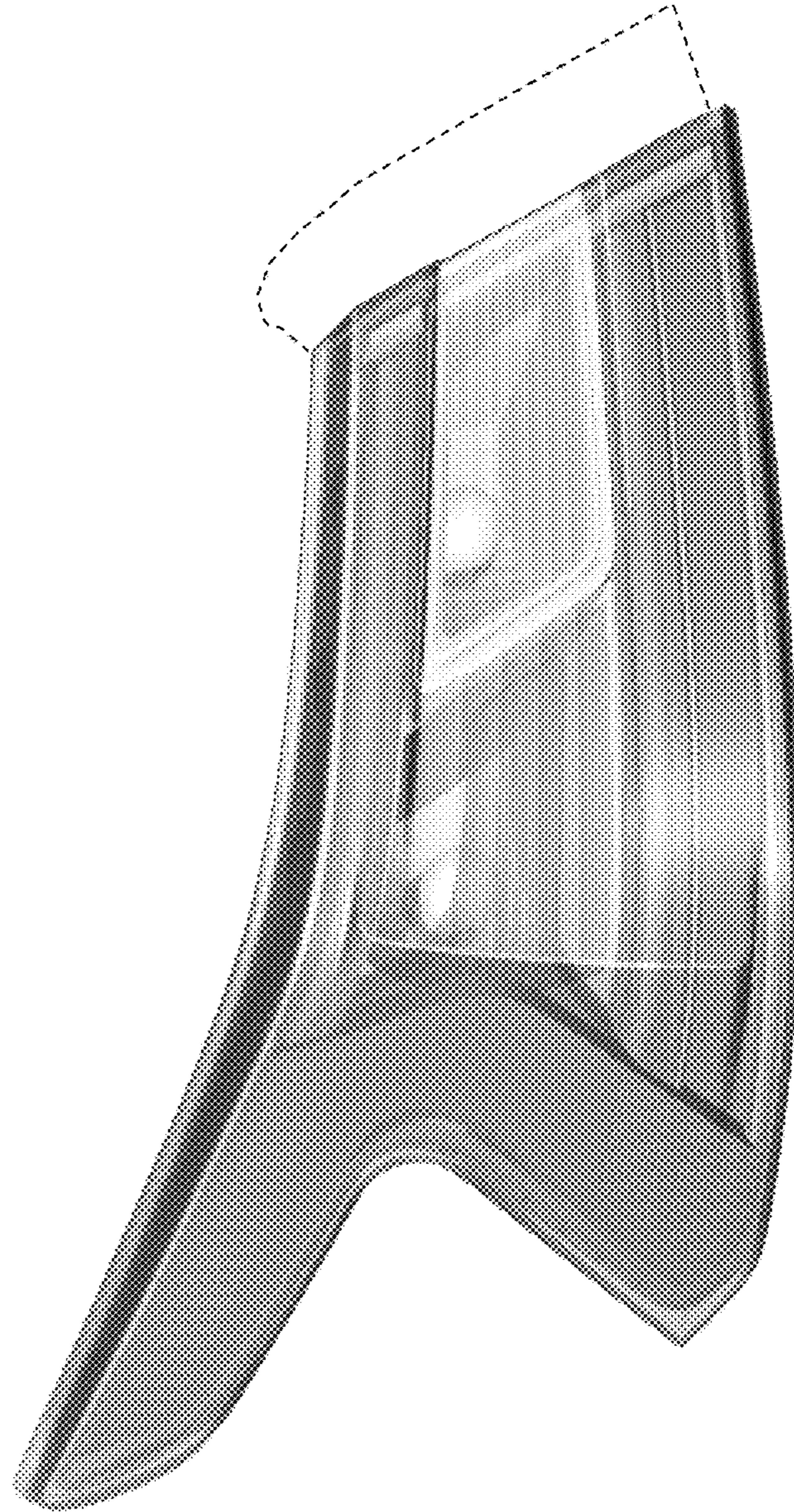


FIG. 7