



US00D794844S

(12) **United States Design Patent** (10) **Patent No.:** **US D794,844 S**  
**Leban et al.** (45) **Date of Patent:** **\*\* Aug. 15, 2017**

(54) **DRIVING LIGHT**

(56) **References Cited**

(71) Applicant: **ARB Corporation, Ltd.**, Kilsyth (AU)

U.S. PATENT DOCUMENTS

(72) Inventors: **Joe Leban**, Melbourne (AU); **Steve Adams**, Mesa, AZ (US)

D601,727 S	*	10/2009	Huang	.....	D26/28
D605,789 S	*	12/2009	Ko	.....	D26/28
D626,670 S	*	11/2010	Metzger	.....	D26/28
D657,081 S	*	4/2012	Alisaukas	.....	D26/28
D670,839 S	*	11/2012	Smarslik	.....	D26/28
D694,920 S	*	12/2013	Jurgens	.....	D26/28

(73) Assignee: **ARB CORPORATION, LTD.**, Kilsyth (AU)

(\*\*) Term: **15 Years**

OTHER PUBLICATIONS

(21) Appl. No.: **29/549,566**

Information Disclosure Statement Transmittal filed herewith.

(22) Filed: **Dec. 22, 2015**

\* cited by examiner

**Related U.S. Application Data**

(60) Division of application No. 29/498,859, filed on Aug. 8, 2014, now Pat. No. Des. 754,891, which is a continuation of application No. 29/430,750, filed on Aug. 29, 2012, now Pat. No. Des. 712,077.

*Primary Examiner* — Marcus Jackson

(74) *Attorney, Agent, or Firm* — Davis Wright Tremaine LLP; Heather M. Colburn

(30) **Foreign Application Priority Data**

Mar. 26, 2012 (AU) ..... 11519/2012

(57) **CLAIM**

The ornamental design for a driving light, as shown and described.

(51) **LOC (10) Cl.** ..... **26-06**

**DESCRIPTION**

(52) **U.S. Cl.**

USPC ..... **D26/28**

(58) **Field of Classification Search**

USPC ..... D26/28-36; 362/80-83, 267-269, 362/459-468, 475-478, 485-487

CPC ..... F21S 48/00; F21S 48/10; F21S 48/115;

F21S 48/225; F21S 48/1233; F21S

48/1266; F21S 48/1388; F21S 48/2268;

F21V 21/04

See application file for complete search history.

FIG. 1 is an isometric view of the driving light showing our new design;

FIG. 2 is a front elevation thereof;

FIG. 3 is a side elevation thereof; and,

FIG. 4 is a back elevation thereof.

The broken lines represent portions of the driving light that form no part of the claim.

**1 Claim, 4 Drawing Sheets**

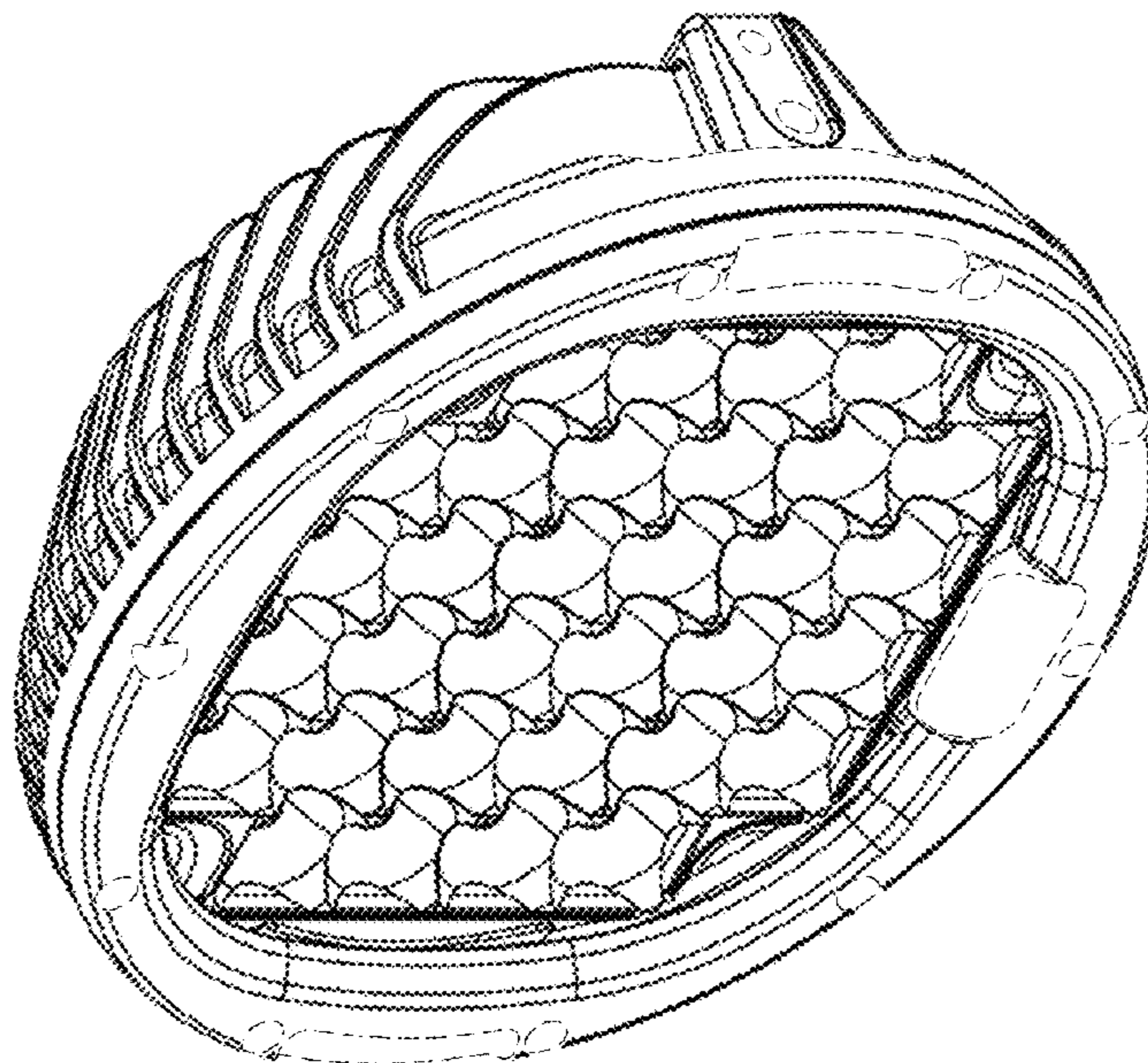


FIGURE 1

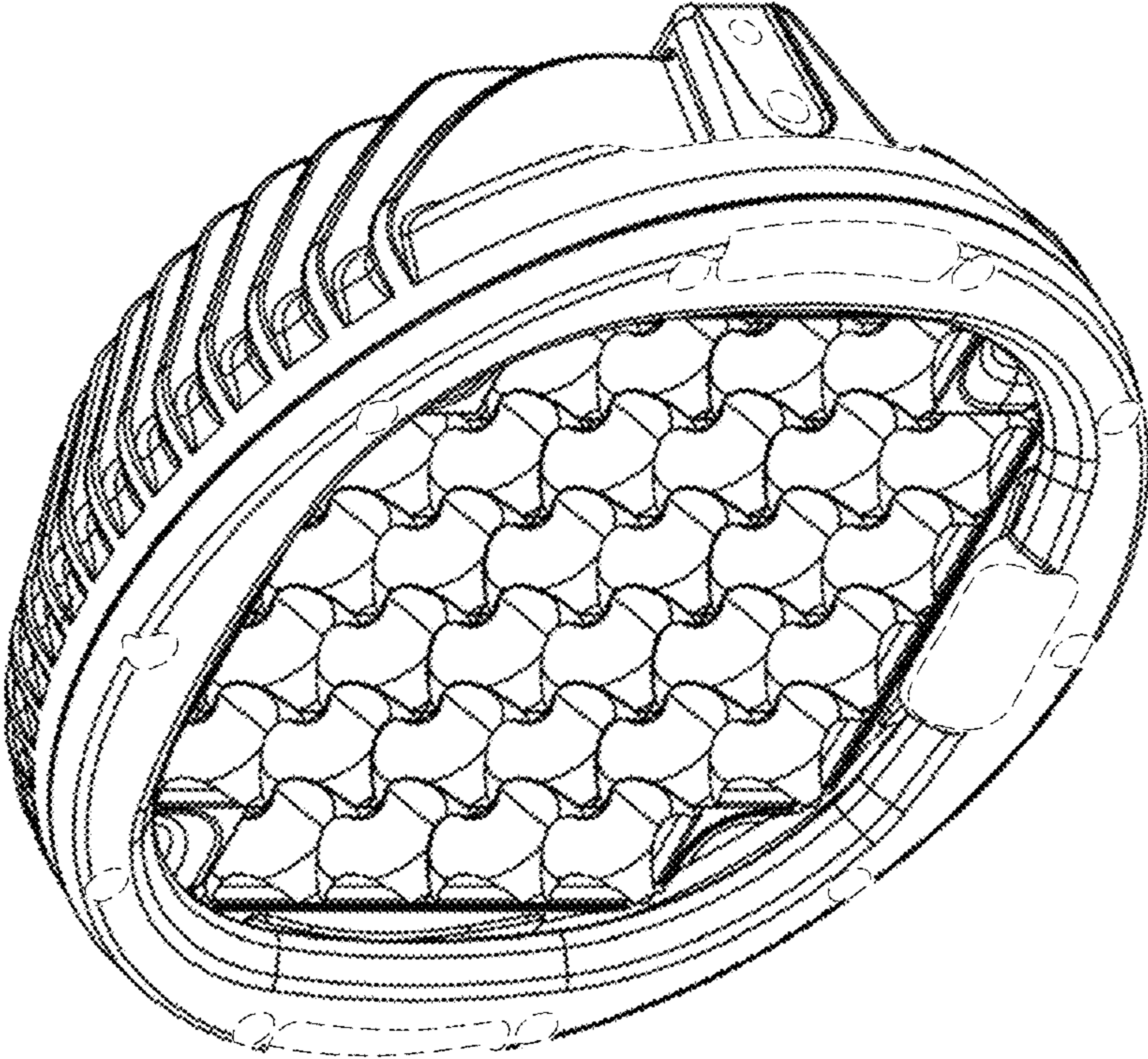




FIGURE 2

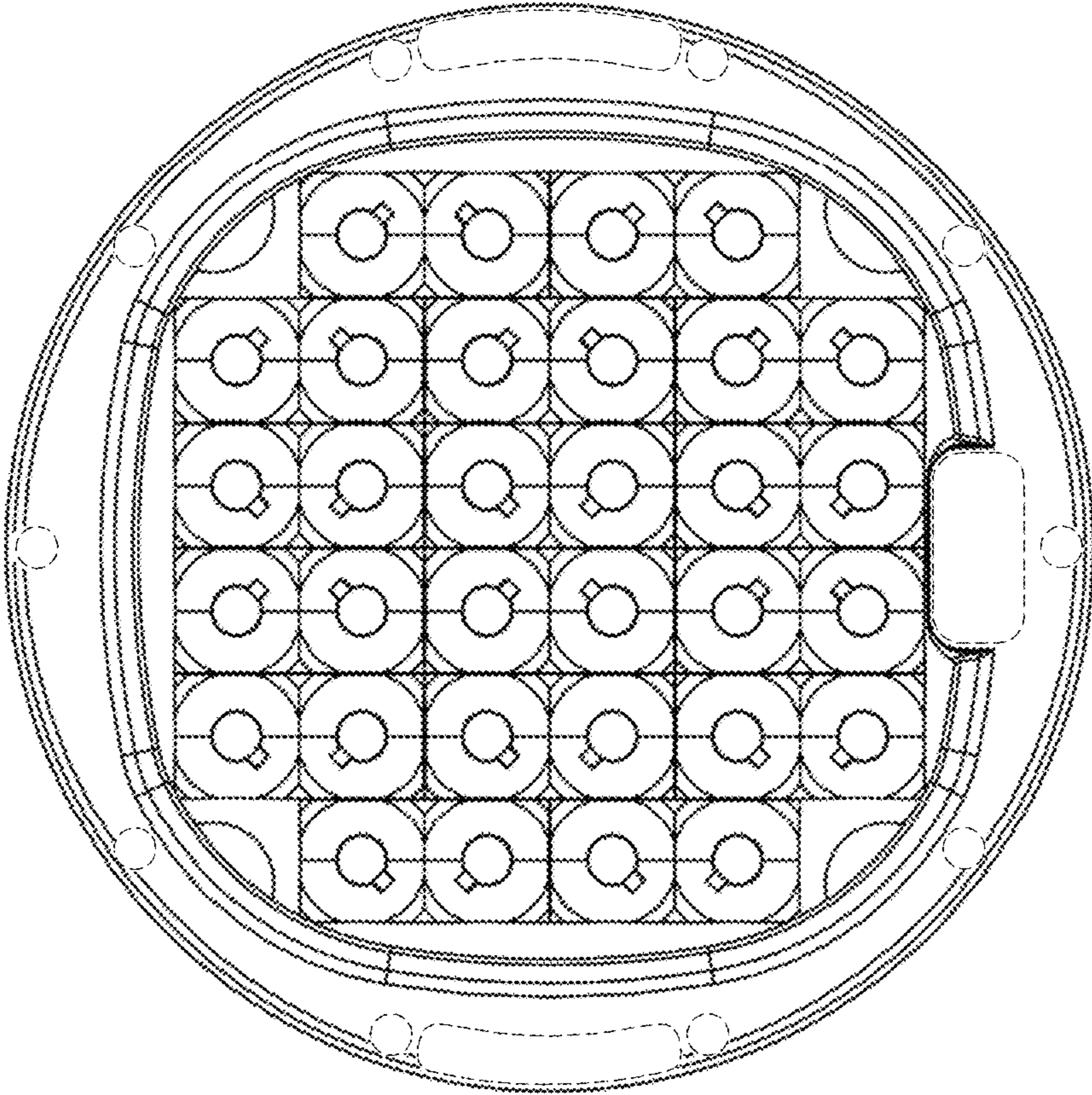


FIGURE 3

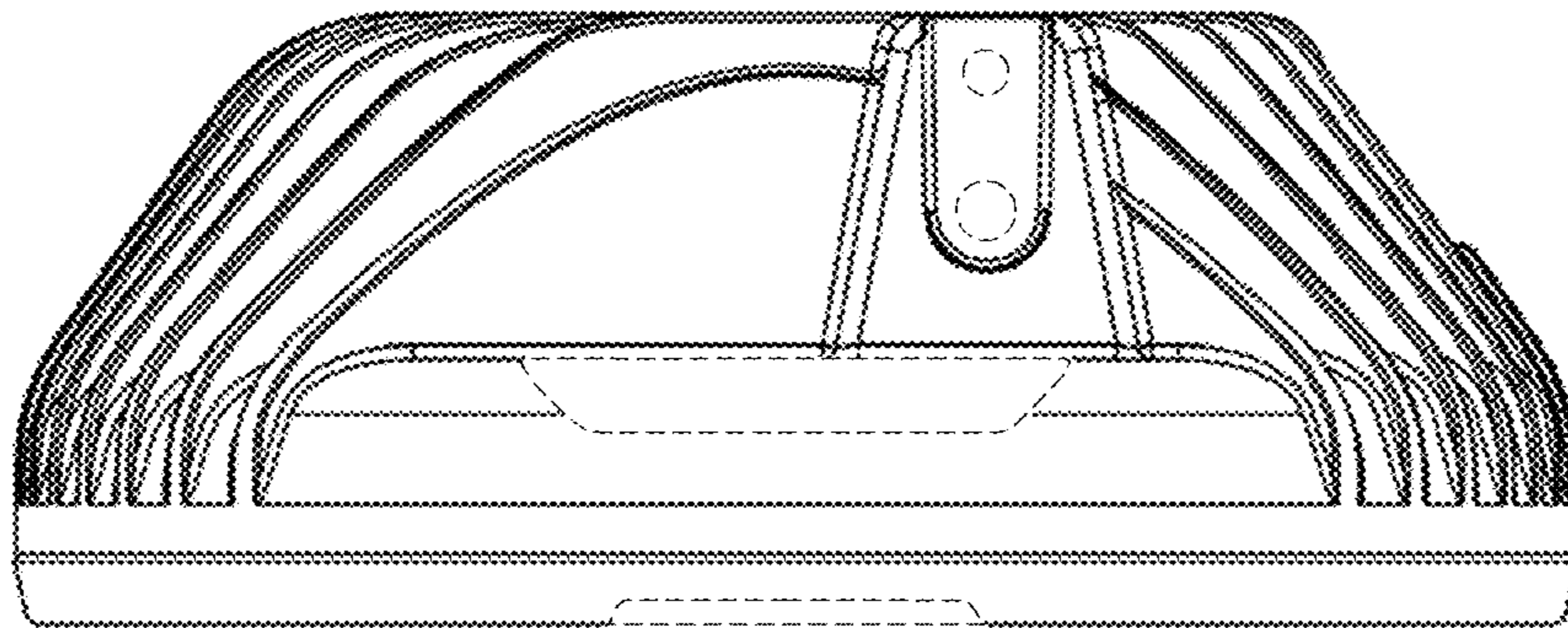


FIGURE 4

