



US00D794842S

(12) **United States Design Patent** (10) **Patent No.:** **US D794,842 S**
Keen et al. (45) **Date of Patent:** **** Aug. 15, 2017**

(54) **THERMALLY ISOLATED HIGH INTENSITY LIGHT SOURCE WITH SPACERS**

Primary Examiner — Brian N Vinson
(74) *Attorney, Agent, or Firm* — Lathrop & Gage LLP

(71) Applicant: **SURNA INC.**, Boulder, CO (US)

(57) **CLAIM**

(72) Inventors: **Stephen Keen**, Erie, CO (US); **Chris Pearson**, Boulder, CO (US); **Brady Schultz**, Boulder, CO (US); **Jordan Johnson**, Longmont, CO (US)

The ornamental design for a thermally isolated high intensity light source with spacers, as shown and described.

(73) Assignee: **Surna Inc.**, Boulder, CO (US)

DESCRIPTION

(**) Term: **15 Years**

(21) Appl. No.: **29/543,451**

(22) Filed: **Oct. 23, 2015**

(51) **LOC (10) Cl.** **26-03**

(52) **U.S. Cl.**
USPC **D26/24**

(58) **Field of Classification Search**
USPC D26/1, 2, 3, 24, 25, 37, 72, 74-75;
362/26, 31, 555, 800, 552, 171, 178
(Continued)

FIG. 1 is a top, front, right perspective view of a thermally isolated high intensity light source with the bulb, sleeve, spacer clips, and connectors in an assembled configuration; FIG. 2 is a bottom, front perspective view thereof; FIG. 3 is a right view thereof; FIG. 4 is a left view thereof; FIG. 5 is a bottom view thereof; FIG. 6 is a front view thereof, the rear view being a mirror view thereof; FIG. 7 is a top view thereof; FIG. 8 is an exploded view of FIGS. 1-7, illustrating the separate components thereof that are the bulb, sleeve, spacer clips and connectors (see FIGS. 9-12 for the connectors and FIGS. 13-19 for the spacer clips), it being understood that the pair of spacer clips are identical to each other and the pair of connectors are identical to each other; FIG. 9 is a top, front, left perspective view of the connector of FIGS. 1-8; FIG. 10 is a bottom, rear, left perspective view thereof; FIG. 11 is a top, front, right perspective view thereof; FIG. 12 is a bottom, rear, right perspective view thereof; FIG. 13 is a top perspective view of the spacer clip of FIGS. 1-8; FIG. 14 is a bottom perspective view thereof; FIG. 15 is a top view thereof; FIG. 16 is a front view thereof, the rear view being a mirror image thereof; FIG. 17 is a right side view thereof, the left side view being a mirror image thereof; and, FIG. 18 is a bottom view thereof.

(56) **References Cited**

U.S. PATENT DOCUMENTS

3,193,001 A 7/1965 Meckler
3,777,199 A 12/1973 Davis
(Continued)

FOREIGN PATENT DOCUMENTS

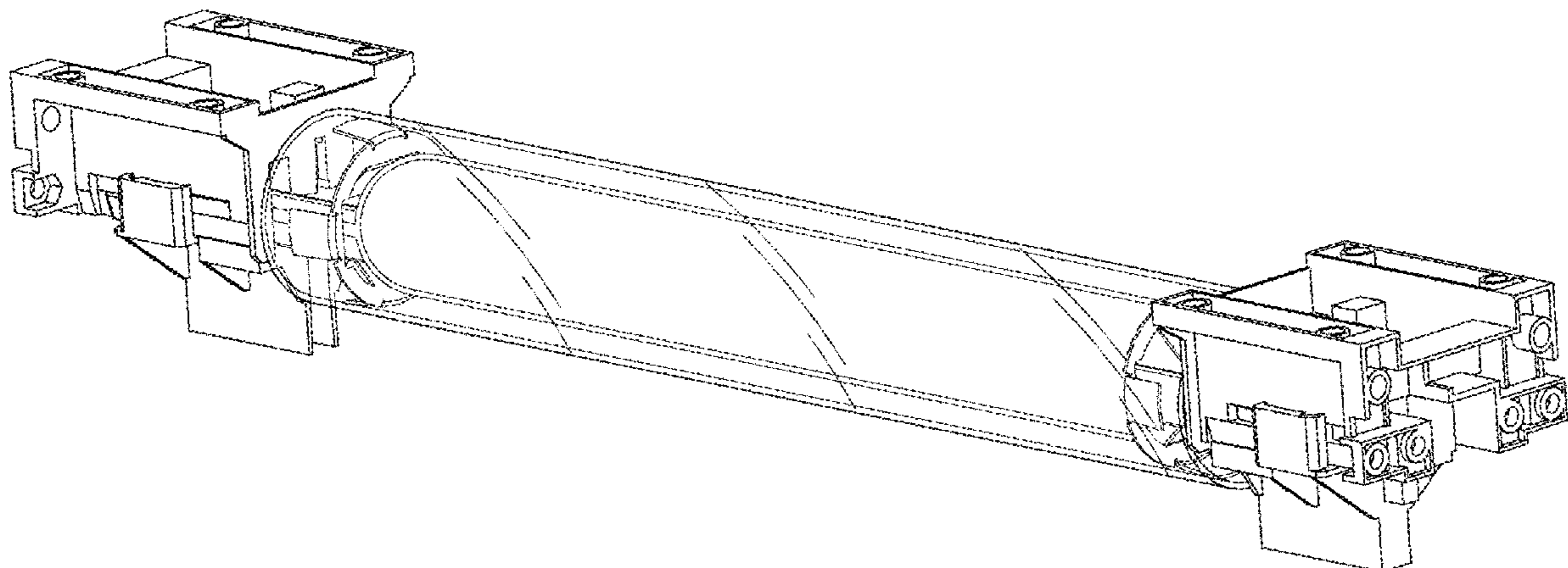
CH 292579 A 11/1953
WO WO2008/036930 3/2008
(Continued)

OTHER PUBLICATIONS

Dimlux Expert Series 315 Watt Full Spectrum flyer, 2 pages, Jul. 2014.

(Continued)

1 Claim, 8 Drawing Sheets



(58) **Field of Classification Search**
 CPC . G02B 6/0068; G02B 6/0073; F21Y 2101/02;
 F21Y 2103/003; F21Y 21/005
 See application file for complete search history.

(56) **References Cited**

U.S. PATENT DOCUMENTS

4,078,169	A	3/1978	Armstrong	
4,101,424	A	7/1978	Schooley et al.	
D280,025	S *	8/1985	Waters	D26/24
5,025,356	A	6/1991	Gawad	
D366,226	S	1/1996	Foutes	
5,489,813	A	2/1996	Jung	
5,612,585	A	3/1997	Verschueren	
D381,734	S *	7/1997	Murphy	D26/75
5,990,599	A	11/1999	Jackson et al.	
6,247,830	B1	6/2001	Winnett et al.	
6,267,483	B1	7/2001	Hembery	
6,329,742	B1	12/2001	Nelson et al.	
7,083,309	B2	8/2006	Chan et al.	
7,245,081	B2	7/2007	Ashida et al.	
7,425,793	B2	9/2008	Haga et al.	
7,441,915	B2	10/2008	Shouse	
7,456,556	B2	11/2008	Bonnin et al.	
D605,809	S *	12/2009	Noh	D26/76
D611,643	S *	3/2010	Owen	D26/76

7,722,228	B2	5/2010	Broer	
7,982,376	B2	7/2011	Keen et al.	
8,040,031	B2	10/2011	Sasai et al.	
8,319,199	B2	11/2012	Garcia	
D715,466	S *	10/2014	Wang	D26/24
D715,467	S *	10/2014	Bretschneider	D26/24
D746,491	S *	12/2015	Bendtsen	D26/2
D748,319	S	1/2016	Johnson et al.	
D748,320	S	1/2016	Johnson et al.	
D748,847	S	2/2016	Johnson et al.	
D748,850	S	2/2016	Johnson et al.	
2004/0037081	A1	2/2004	Blandford	
2008/0074880	A1	3/2008	Keen et al.	
2009/0273921	A1	11/2009	Chiang	
2013/0003382	A1	1/2013	Ohura et al.	

FOREIGN PATENT DOCUMENTS

WO	WO2015/168559	11/2015
WO	WO2016/077058	5/2016

OTHER PUBLICATIONS

Dimlux Expert Series 1000 Watt DE EL UHF flyer, 2 pages, Jul. 2014.
 Epapillon 1000W flyer, 1 page, accessed Sep. 10, 2014.

* cited by examiner

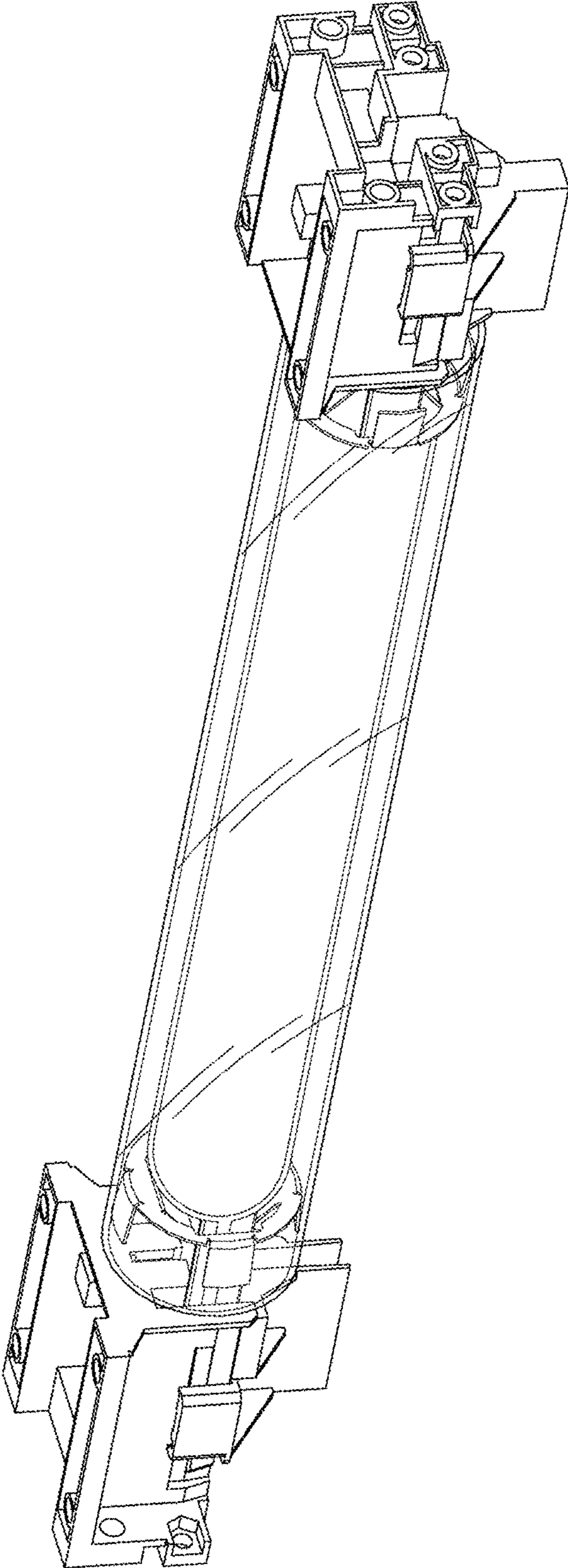


FIG. 1

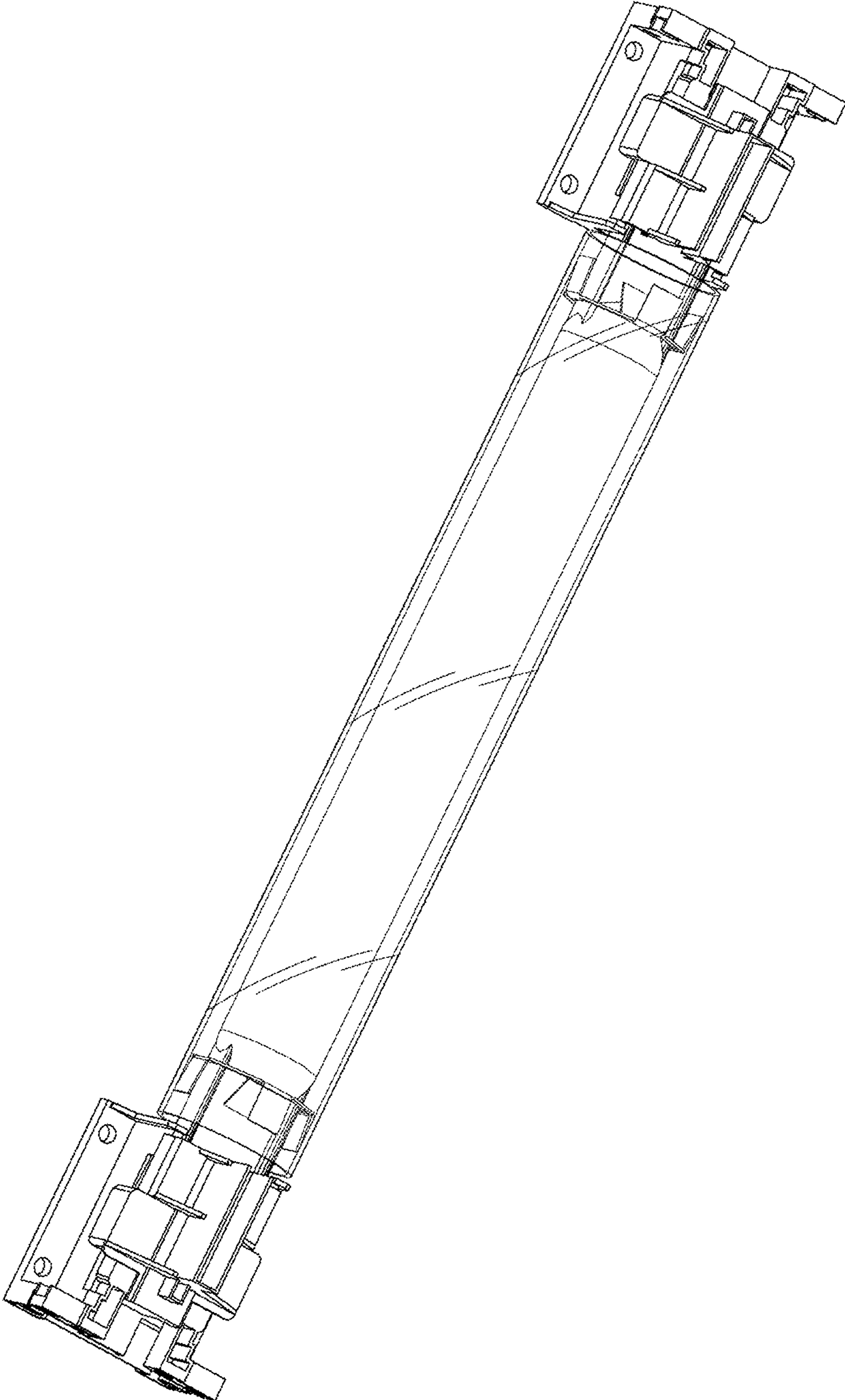


FIG. 2

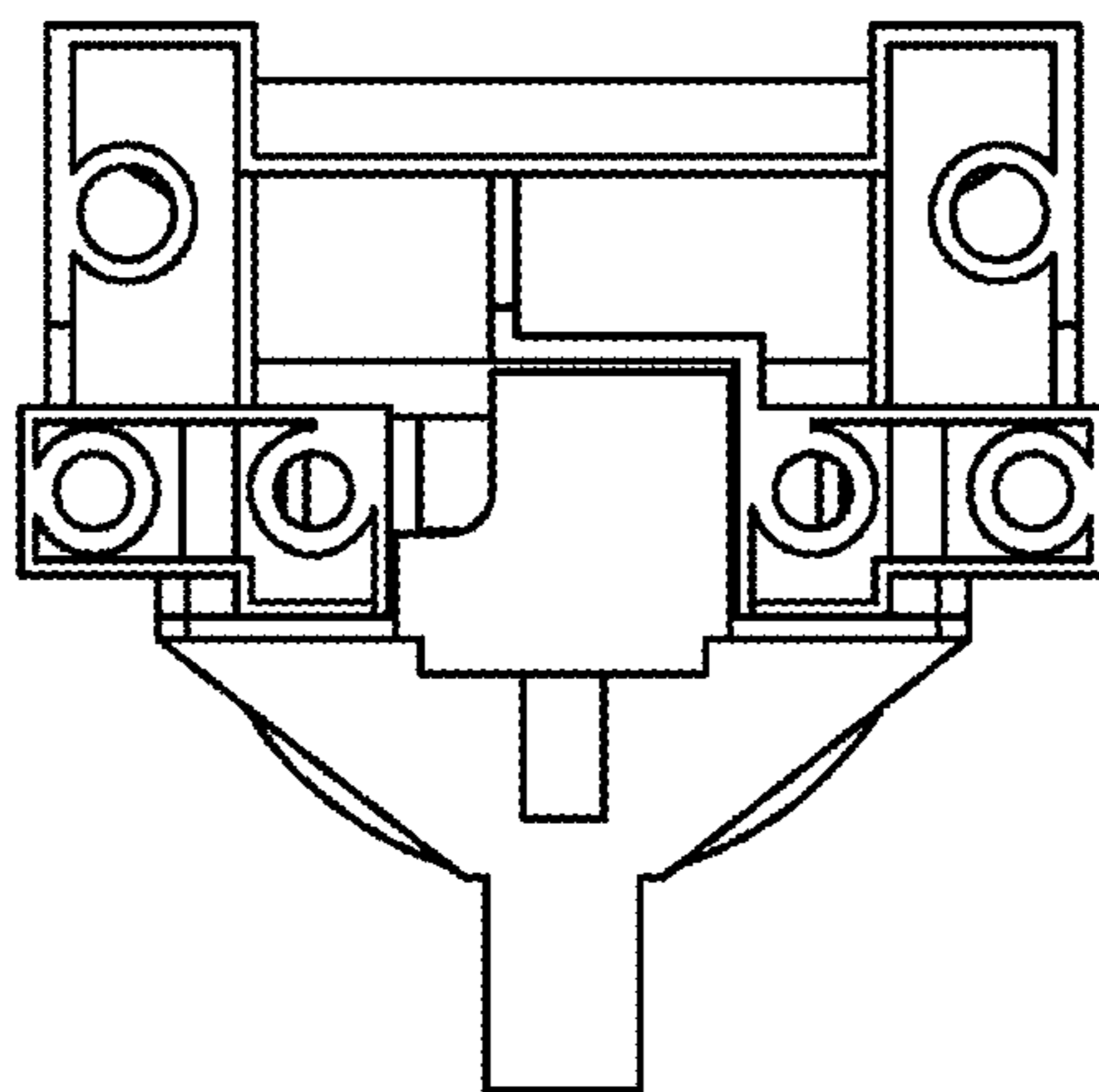


FIG. 3

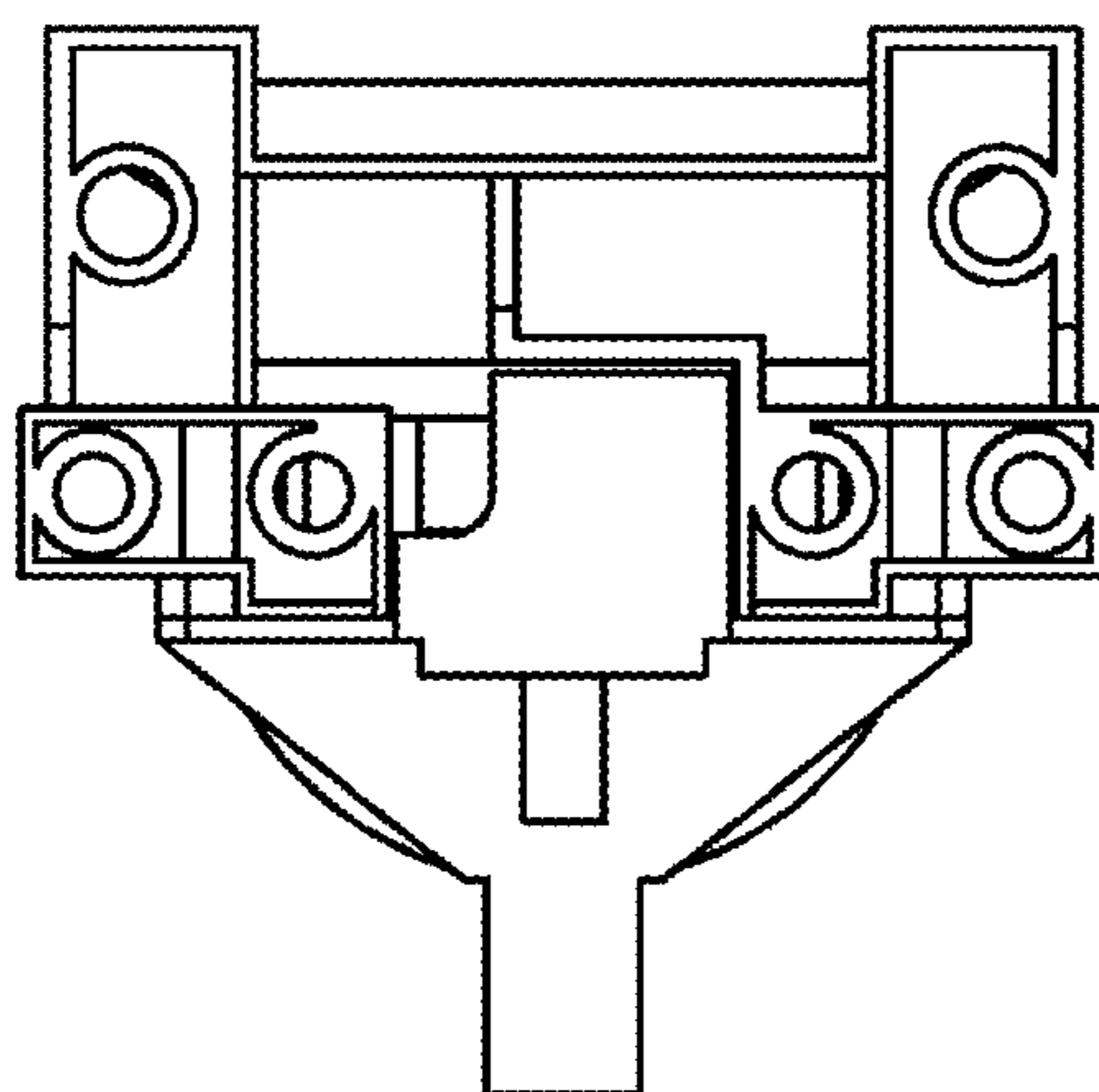


FIG. 4

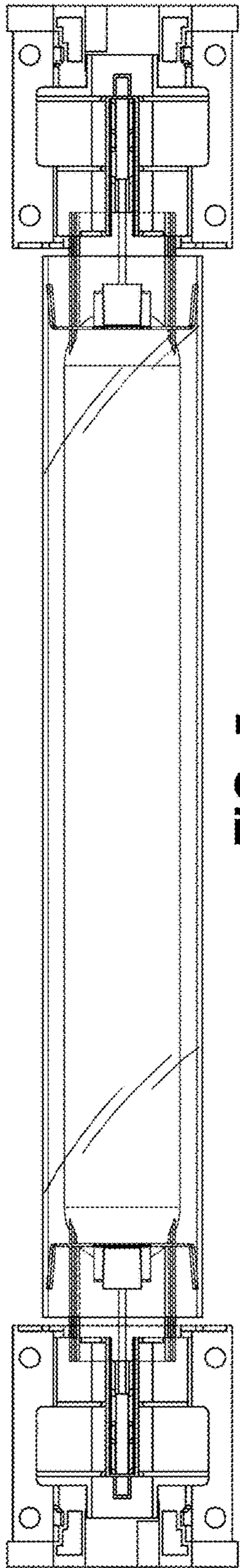


FIG. 5

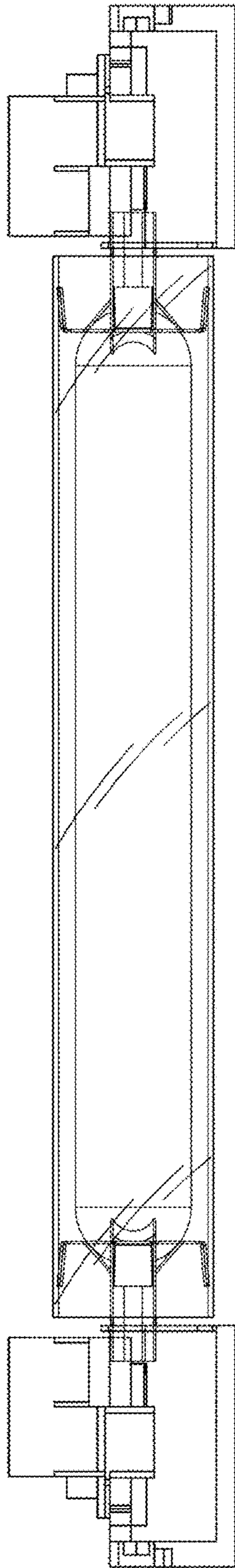


FIG. 6

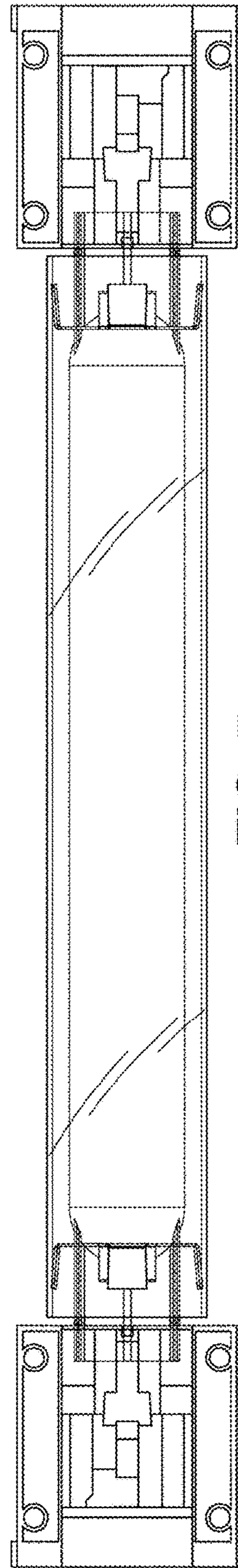


FIG. 7

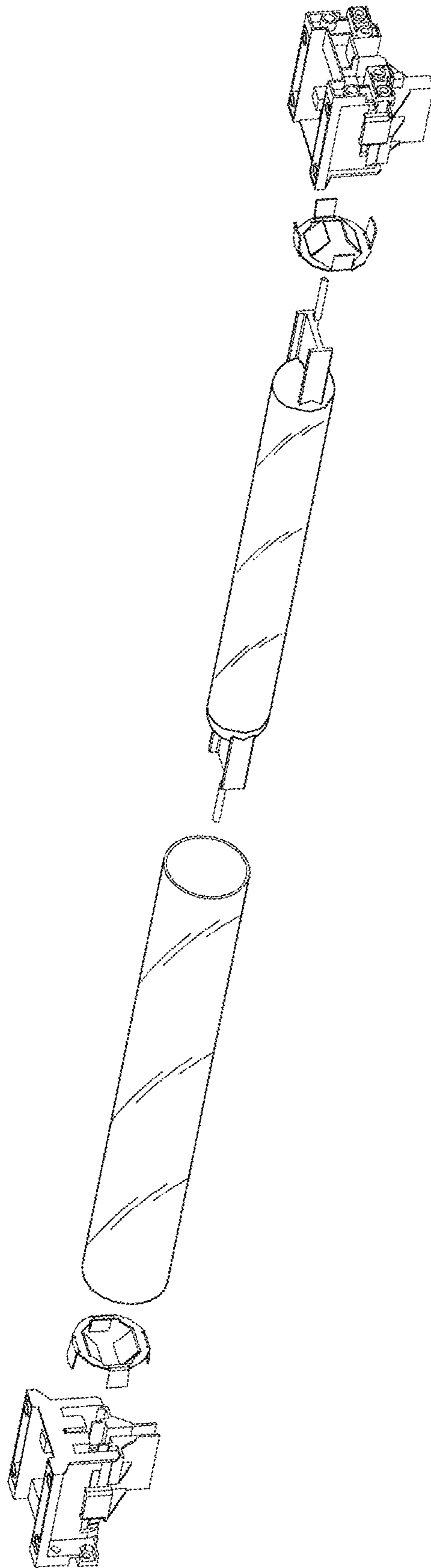


FIG. 8

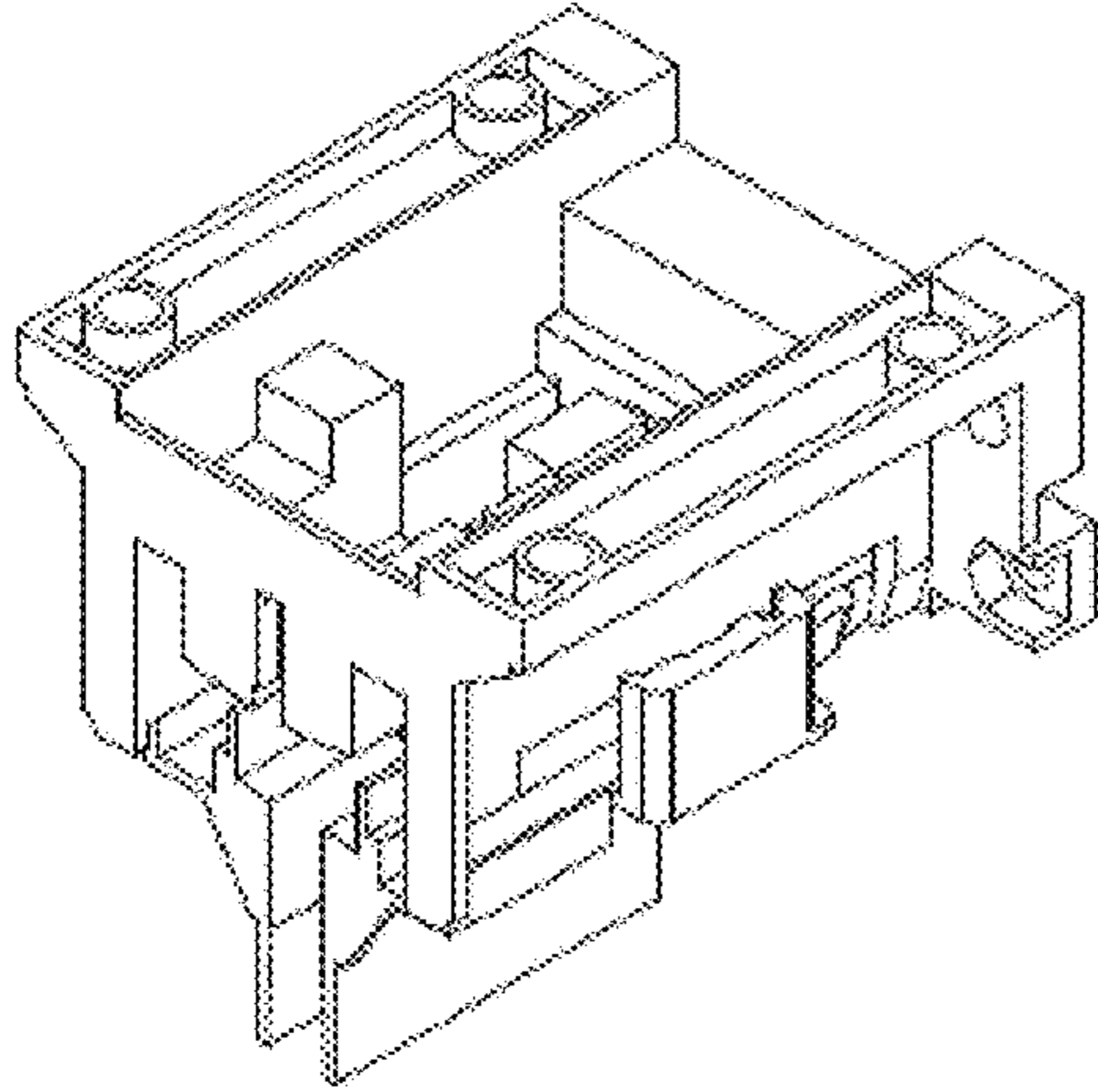


FIG. 9

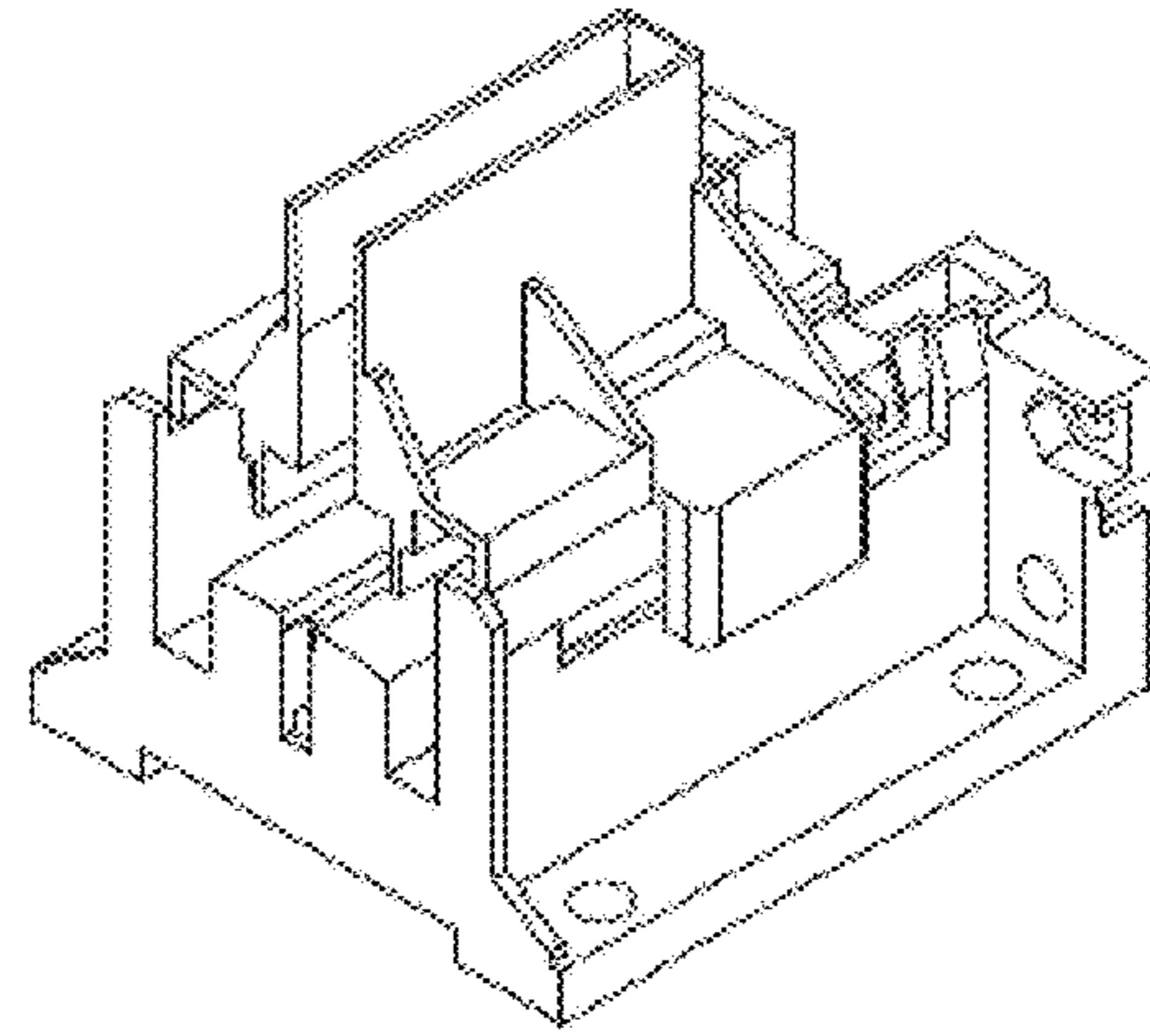


FIG. 10

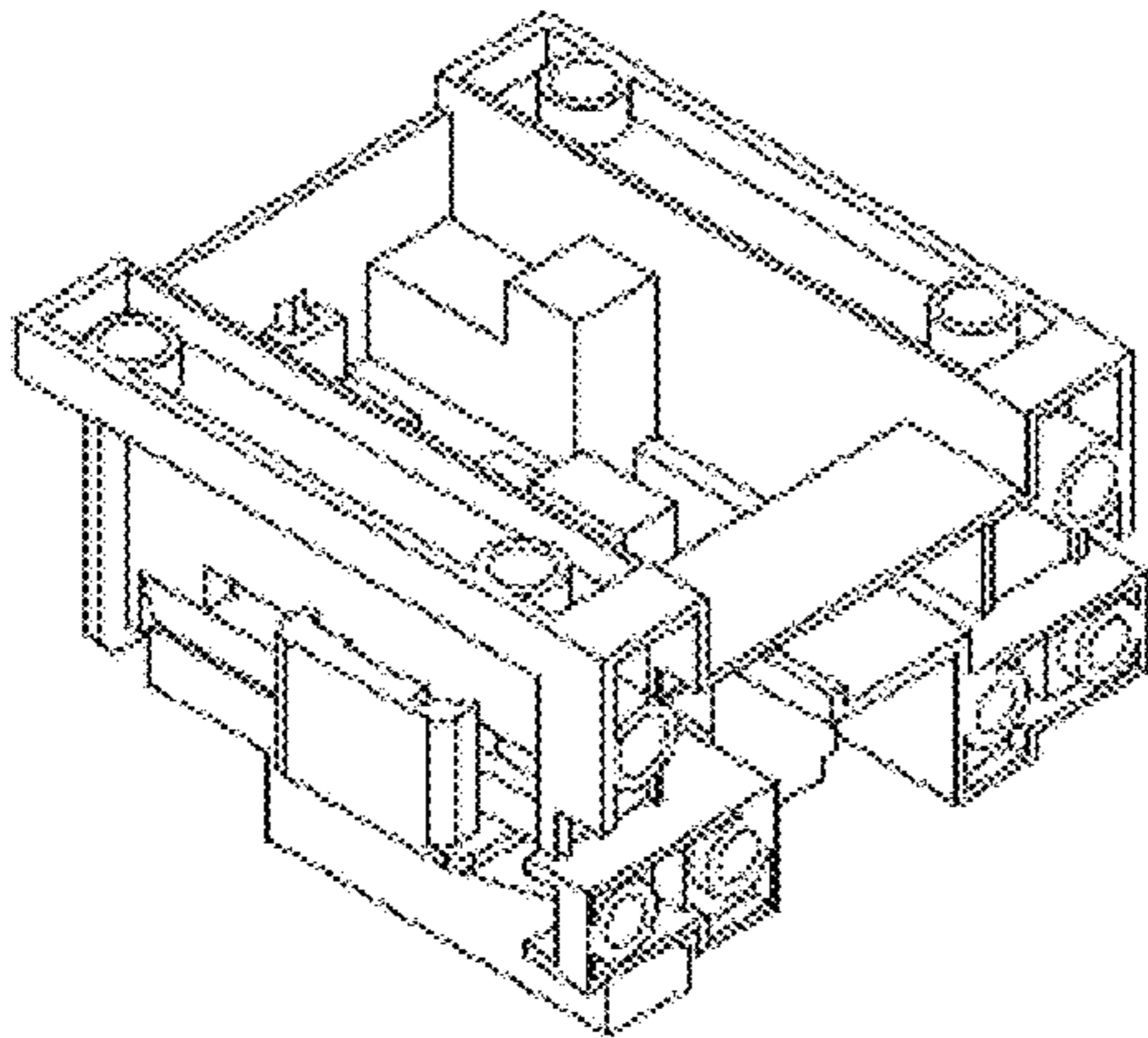


FIG. 11

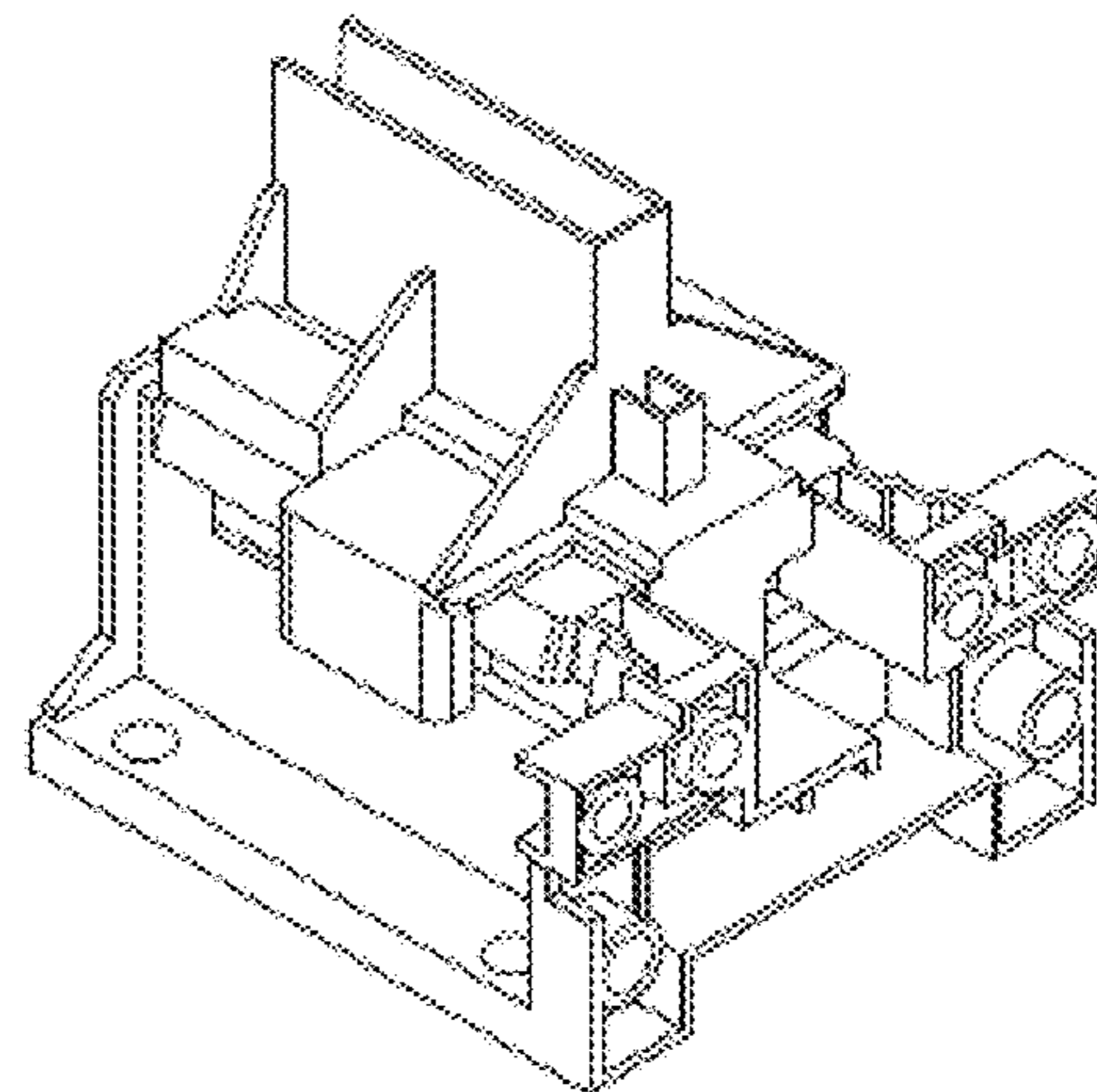


FIG. 12

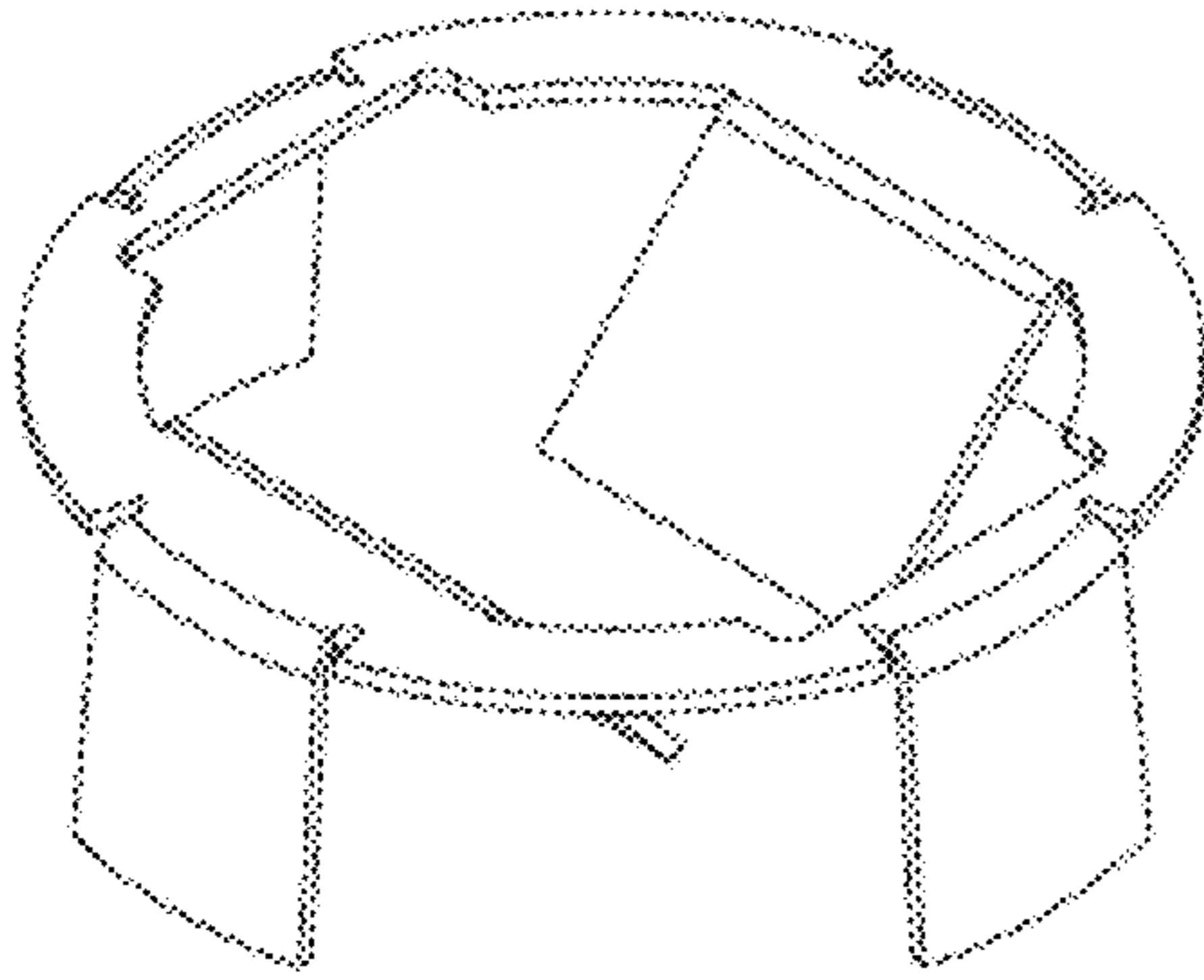


FIG. 13

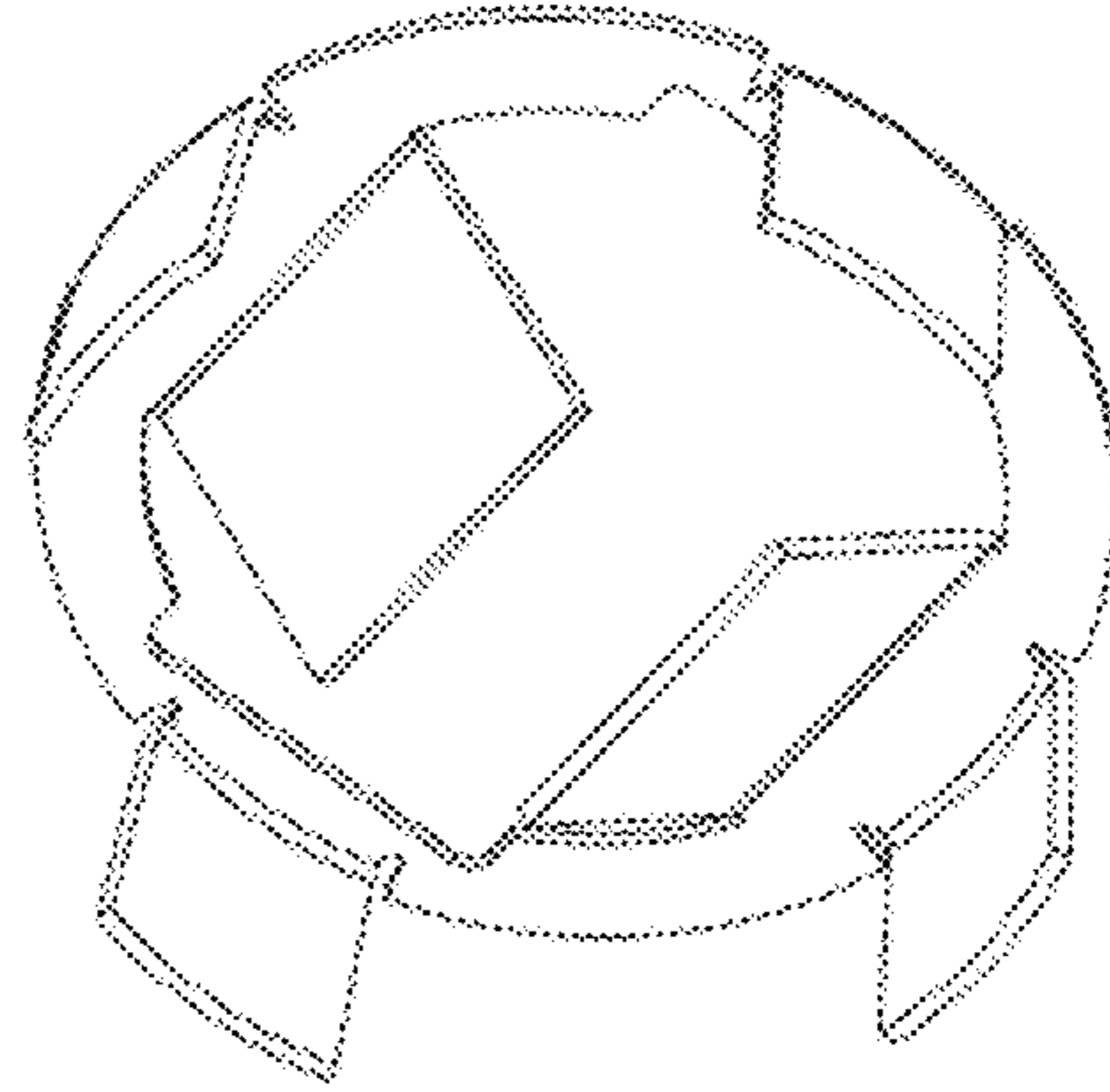


FIG. 14

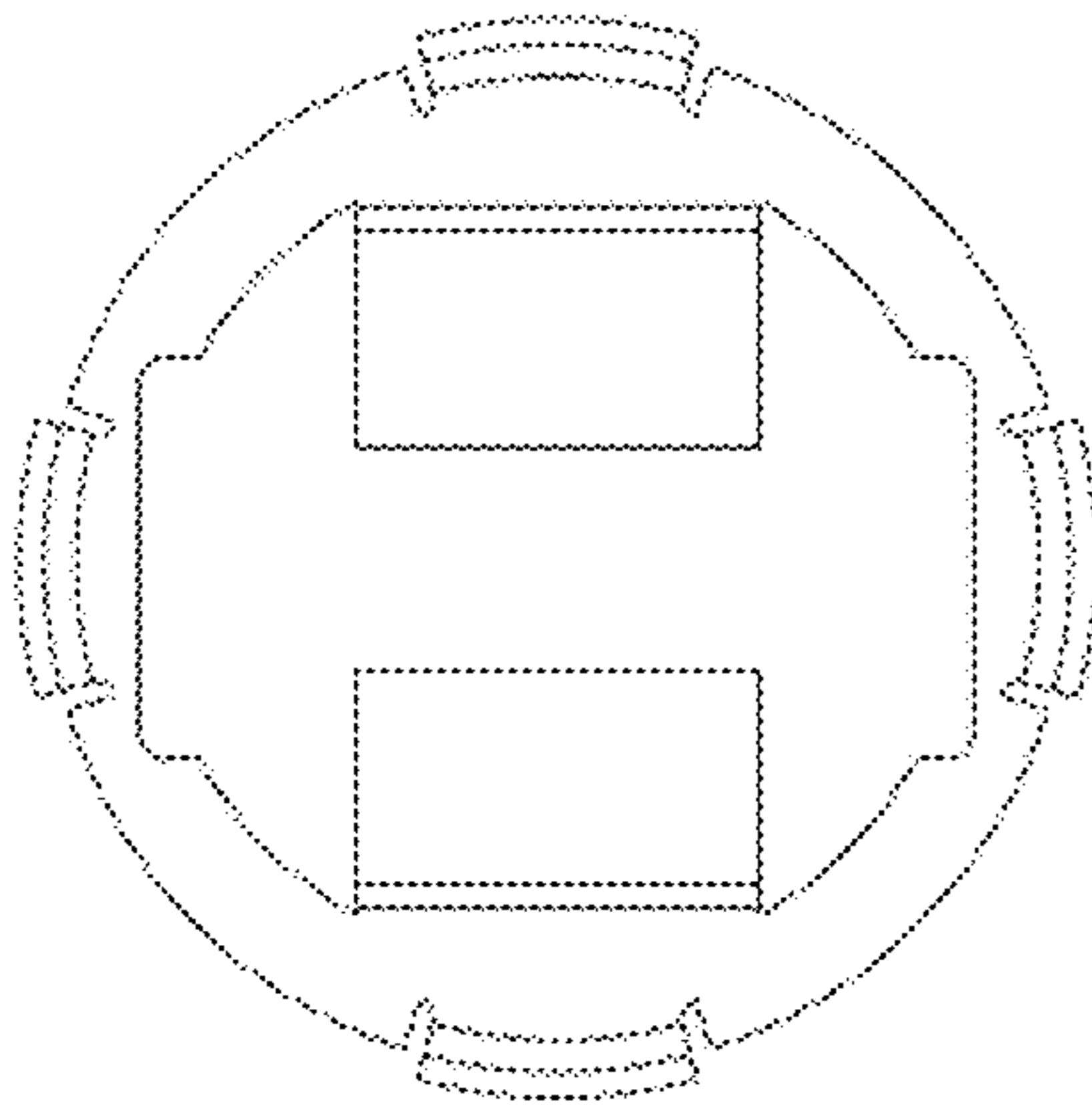


FIG. 15

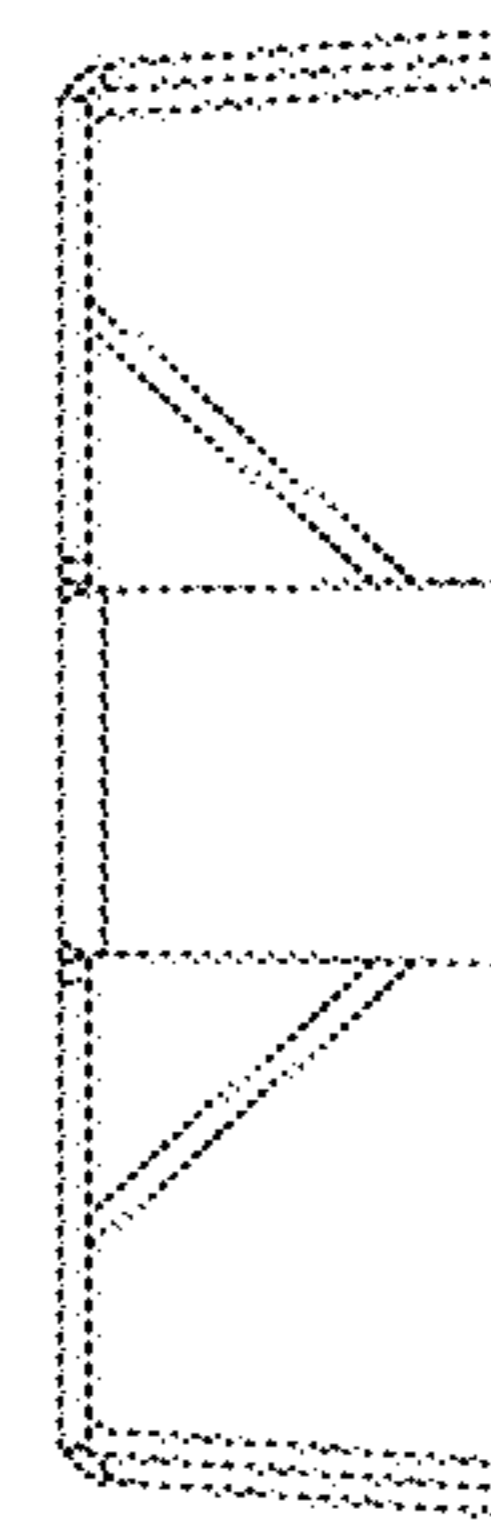


FIG. 16

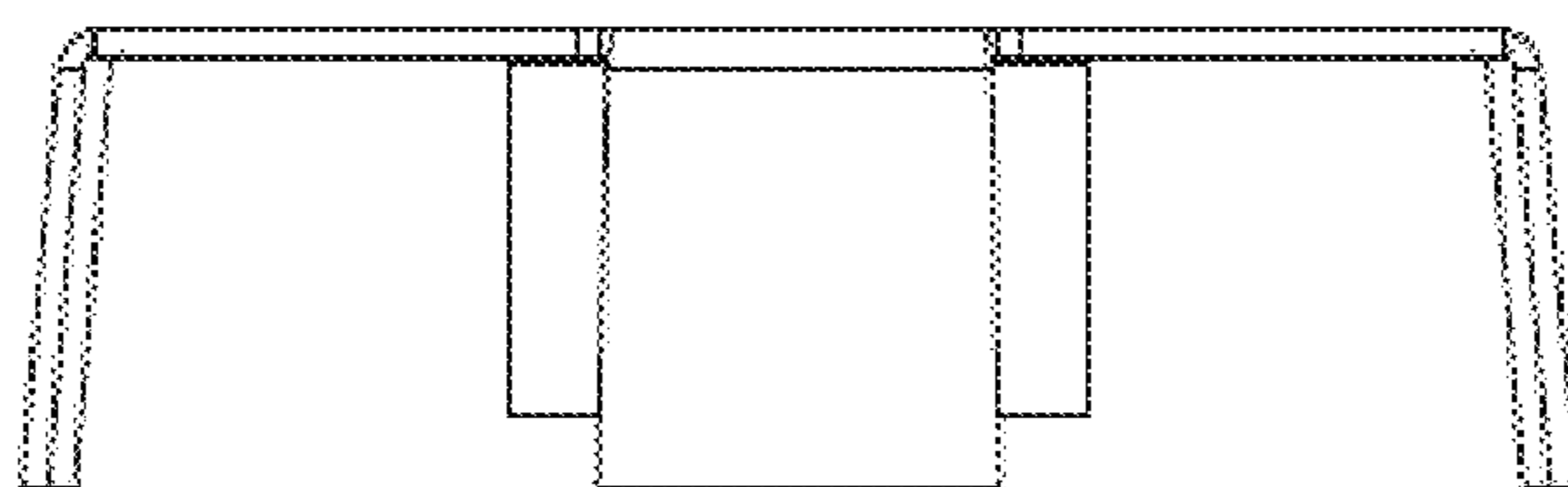


FIG. 17

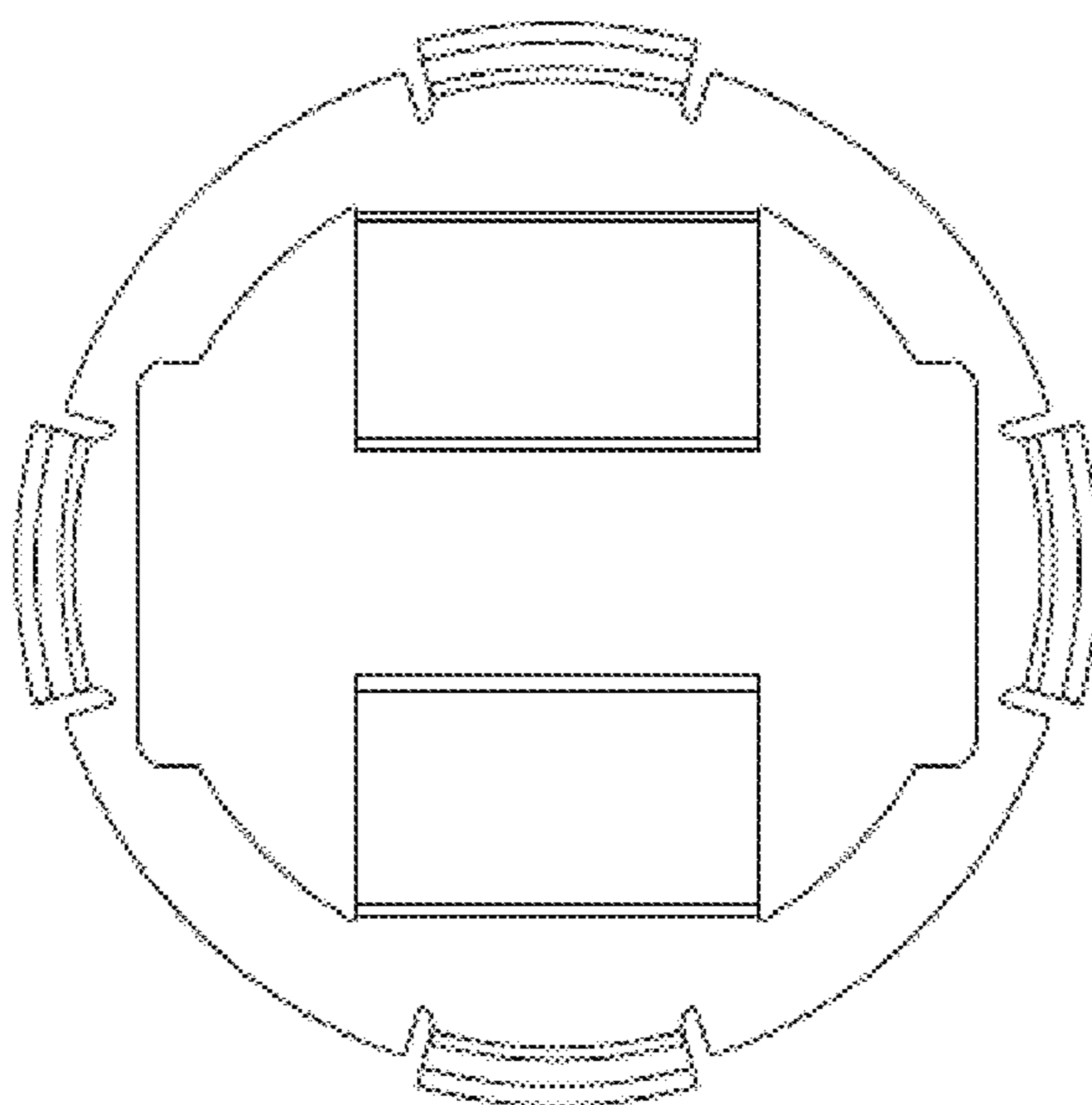


FIG. 18