



US00D794839S

(12) **United States Design Patent** (10) **Patent No.:** **US D794,839 S**
Zhou et al. (45) **Date of Patent:** **** Aug. 15, 2017**

(54) **LED LAMP**
(71) Applicant: **GE Lighting Solutions, LLC**, East Cleveland, OH (US)
(72) Inventors: **Huisheng Zhou**, Shanghai (CN); **Anyong Wang**, Shanghai (CN)
(73) Assignee: **GE LIGHTING SOLUTIONS, LLC**, East Cleveland, OH (US)

D498,310 S 11/2004 Gagnon et al.
D532,532 S * 11/2006 Maxik D26/2
D544,110 S * 6/2007 Hooker D26/2
D566,300 S * 4/2008 Lo D26/2
D581,555 S * 11/2008 To D26/2
D610,722 S * 2/2010 Bi D26/2
D638,574 S 5/2011 Kling et al.
D663,049 S 7/2012 Wada et al.
D677,806 S * 3/2013 Jiang D26/2

(**) Term: **15 Years**

(21) Appl. No.: **29/555,687**

(22) Filed: **Feb. 24, 2016**

(30) **Foreign Application Priority Data**

Aug. 24, 2015 (CN) 2015 3 0318687

(51) **LOC (10) Cl.** **26-04**

(52) **U.S. Cl.**
USPC **D26/2**

(58) **Field of Classification Search**
USPC D26/1-4; 313/313, 315, 316, 317, 318, 313/493; 315/52, 53, 56, 57, 58
CPC H01J 1/02; H01J 5/00; H01J 5/16; H01J 15/00; H01J 5/48; H01J 5/50; H01J 19/54; H01R 5/00; H01R 13/46; H01R 13/514; H01R 31/048; H01R 31/02; F21V 5/00
See application file for complete search history.

(56) **References Cited**

U.S. PATENT DOCUMENTS

D435,306 S 12/2000 McBride
D468,456 S * 1/2003 Bobel D26/2
D469,890 S * 2/2003 Bobel D26/2
D470,608 S 2/2003 Bobel
D470,610 S * 2/2003 Bobel D26/2
D498,006 S 11/2004 Bobel

FOREIGN PATENT DOCUMENTS

CA 96914 S 10/2002

OTHER PUBLICATIONS

Rintamaki et al., "Led Directional Lamp With Lens", U.S. Appl. No. 29/506,035, Oct. 13, 2014.

* cited by examiner

Primary Examiner — Marcus Jackson
(74) *Attorney, Agent, or Firm* — GE Global Patent Operation; Peter T. DiMauro

(57) **CLAIM**

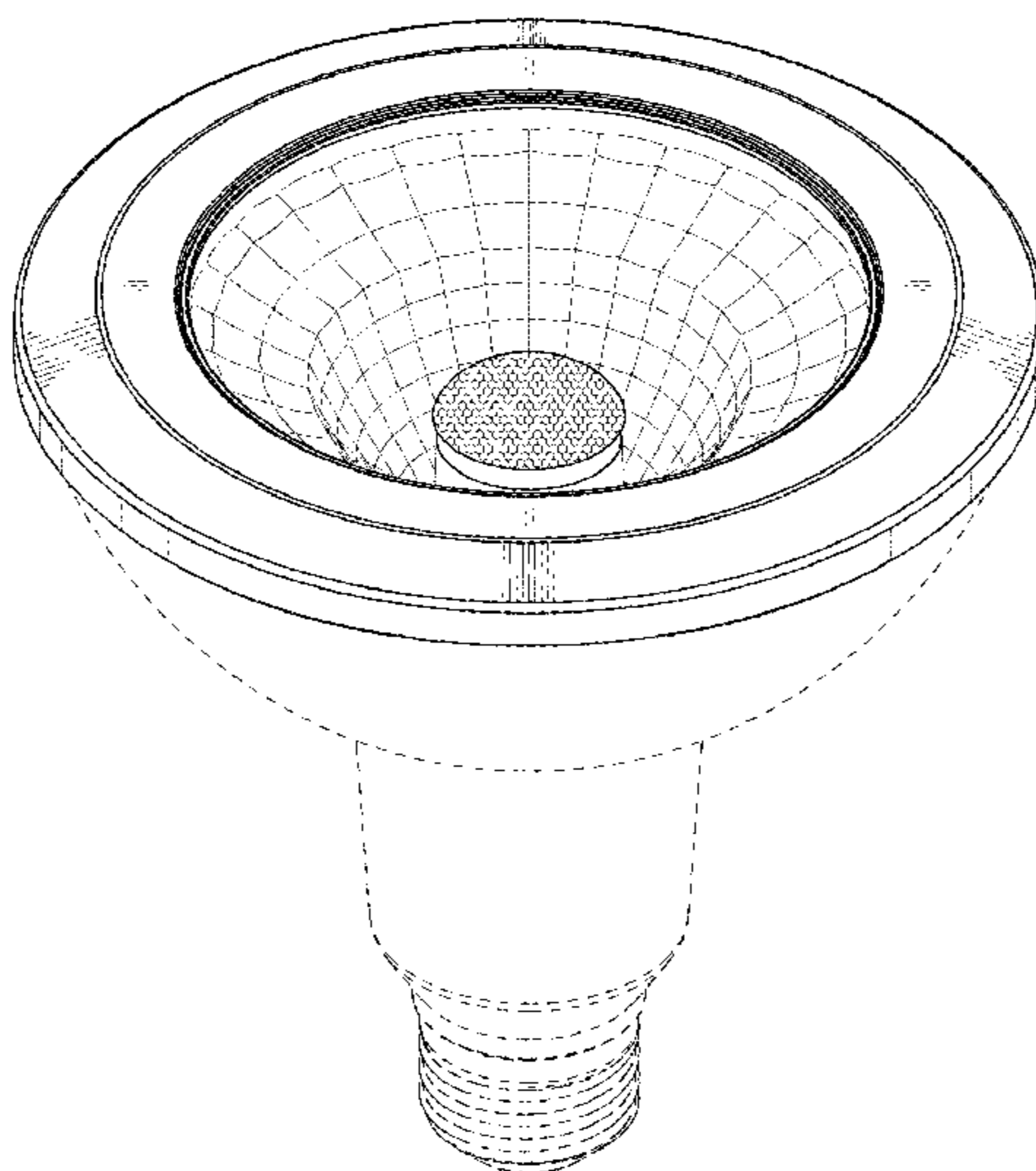
The ornamental design for an LED lamp, as shown and described.

DESCRIPTION

FIG. 1 is a perspective view of an LED lamp in accordance with the present design;
FIG. 2 is a top plan view thereof;
FIG. 3 is a bottom plan view thereof; and,
FIG. 4 is a side view thereof, with the other sides being symmetrical.

The broken line portions of the drawings are for illustrative purposes only and form no part of the claimed design. Any shading forms no part of the claimed design and is provided to illustrate contour only and is not an indication of texture, gloss, and the like.

1 Claim, 4 Drawing Sheets



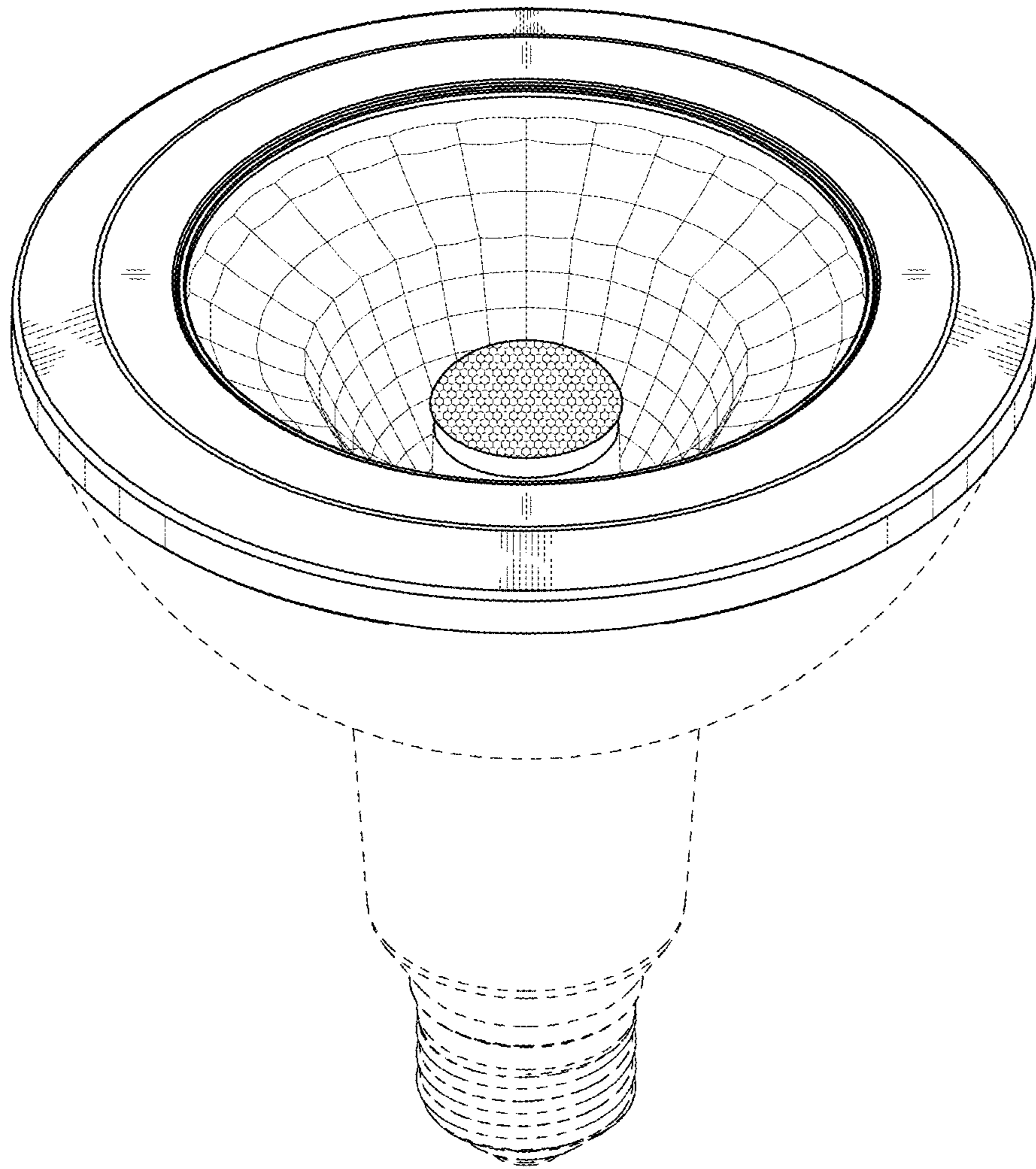


FIG. 1

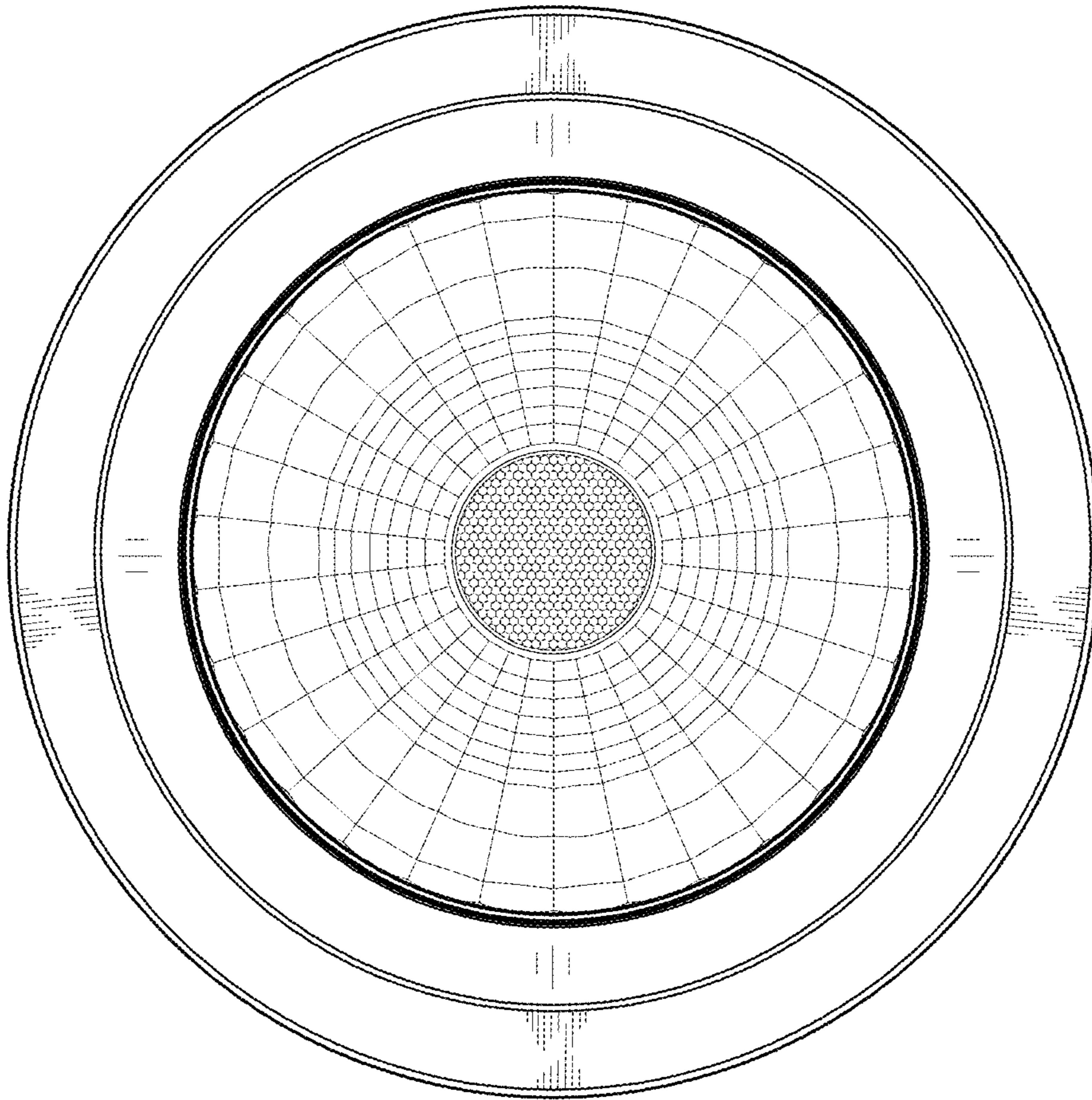


FIG. 2

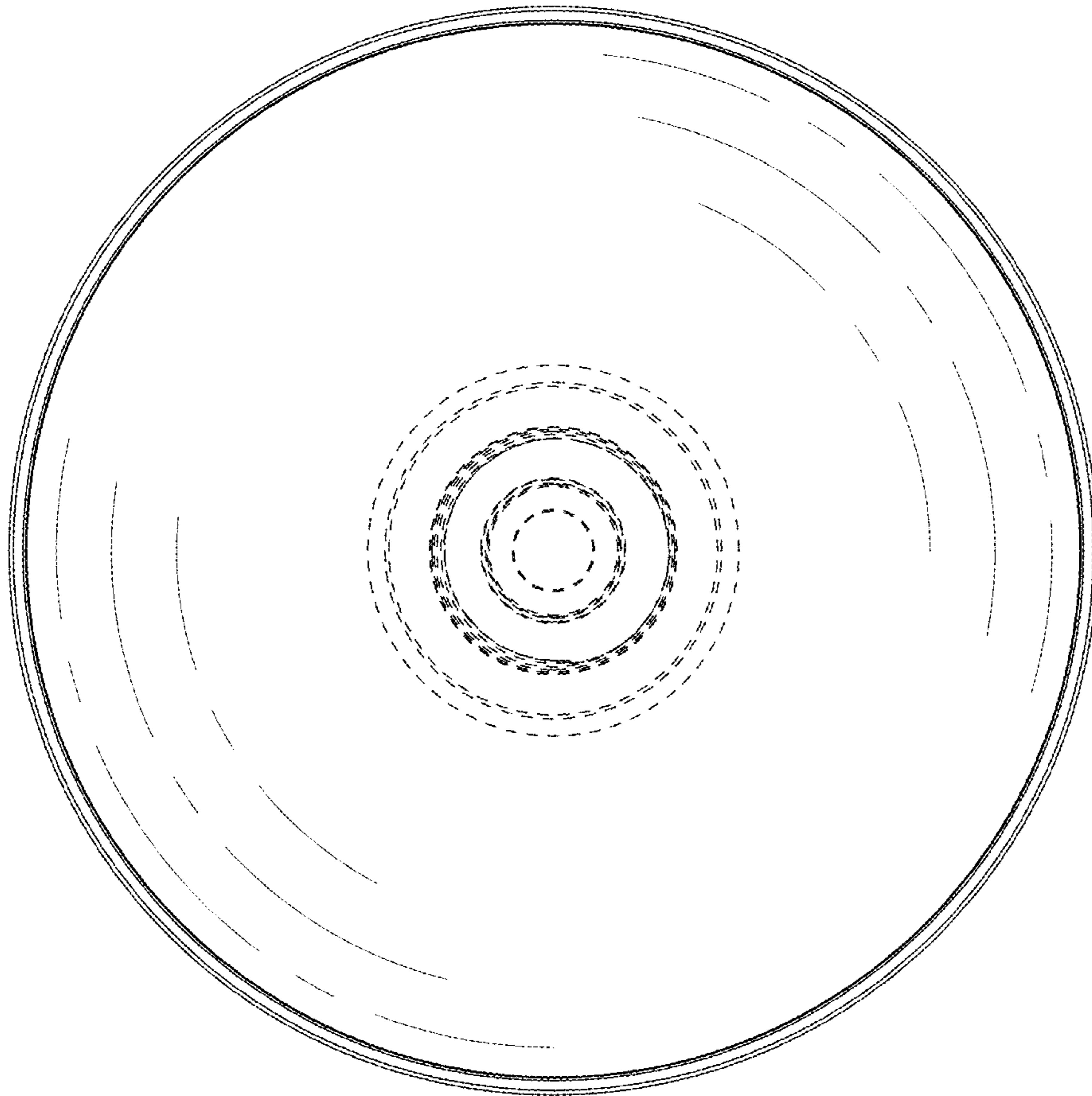


FIG. 3

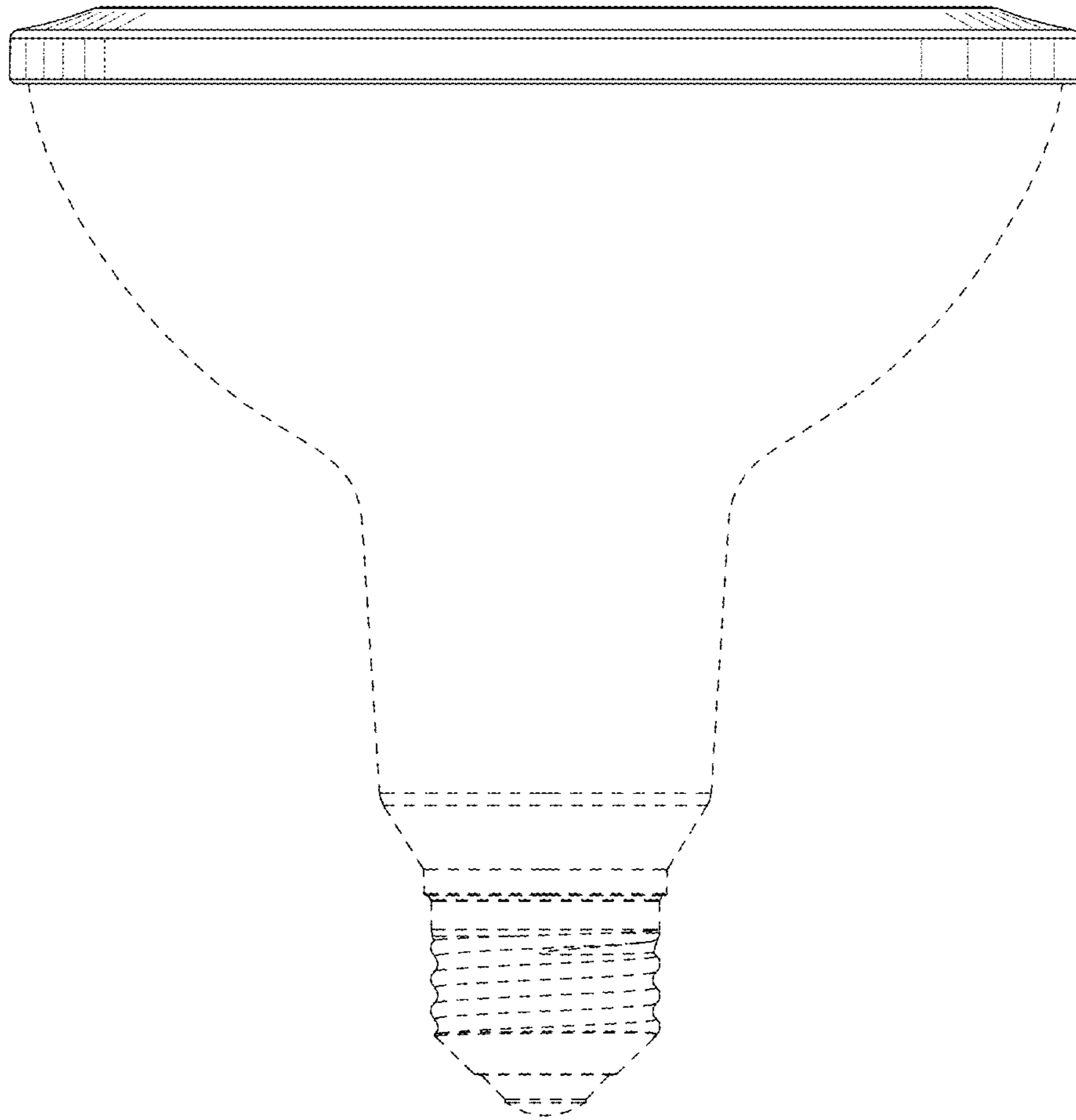


FIG. 4