



US00D794837S

(12) **United States Design Patent** (10) **Patent No.:** **US D794,837 S**  
**Rintamaki et al.** (45) **Date of Patent:** **\*\* Aug. 15, 2017**

- (54) **LED DIRECTIONAL LAMP WITH LENS**
- (71) Applicant: **GE Lighting Solutions, LLC**, East Cleveland, OH (US)
- (72) Inventors: **Joshua Ian Rintamaki**, Westlake, OH (US); **Huisheng Zhou**, Shanghai (CN); **Wubin Zhang**, Shanghai (CN); **Anyong Wang**, Shanghai (CN)
- (73) Assignee: **GE LIGHTING SOLUTIONS, LLC**, East Cleveland, OH (US)

D663,049 S	7/2012	Wada et al.	
D663,051 S *	7/2012	Xu .....	D26/2
D672,480 S *	12/2012	Maxik .....	D26/2
D674,923 S *	1/2013	Maxik .....	D26/2
D677,806 S *	3/2013	Jiang .....	D26/2
D698,050 S *	1/2014	Jiang .....	D26/2
D698,051 S *	1/2014	Jiang .....	D26/2
D705,456 S *	5/2014	Yan .....	D26/2
D732,710 S *	6/2015	Anderson .....	D26/2
D738,000 S *	9/2015	Li .....	D26/2
D739,052 S *	9/2015	Shum .....	D26/2
D739,569 S *	9/2015	Shum .....	D26/2

(Continued)

(\*\*) Term: **14 Years**

(21) Appl. No.: **29/506,035**

(22) Filed: **Oct. 13, 2014**

(51) **LOC (10) Cl.** ..... **26-04**

(52) **U.S. Cl.**  
USPC ..... **D26/2**

(58) **Field of Classification Search**  
USPC ..... D26/1-4; 313/313, 315, 316, 317, 318, 313/493; 315/52, 53, 56, 57, 58  
CPC ..... F21K 9/00; F21K 9/13; F21K 9/23; H01J 5/48; H01J 5/50; H01J 19/54; F21V 5/00; F21Y 2107/10

See application file for complete search history.

(56) **References Cited**

U.S. PATENT DOCUMENTS

D398,407 S	9/1998	O'Connell et al.	
D435,306 S	12/2000	McBride	
D468,456 S	1/2003	Bobel	
D470,608 S	2/2003	Bobel	
D470,610 S	2/2003	Bobel	
D498,006 S	11/2004	Bobel	
D498,310 S	11/2004	Gagnon et al.	
D539,939 S *	4/2007	Mama .....	D26/2
D624,215 S *	9/2010	Moon .....	D26/2
D638,574 S	5/2011	Kling et al.	
D646,406 S *	10/2011	Tsai .....	D26/2

FOREIGN PATENT DOCUMENTS

CA 96914 S 10/2002

*Primary Examiner* — Lakiya Rogers

*Assistant Examiner* — Harold E Blackwell, II

(74) *Attorney, Agent, or Firm* — GE Global Patent Operation; Peter T. DiMauro

(57) **CLAIM**

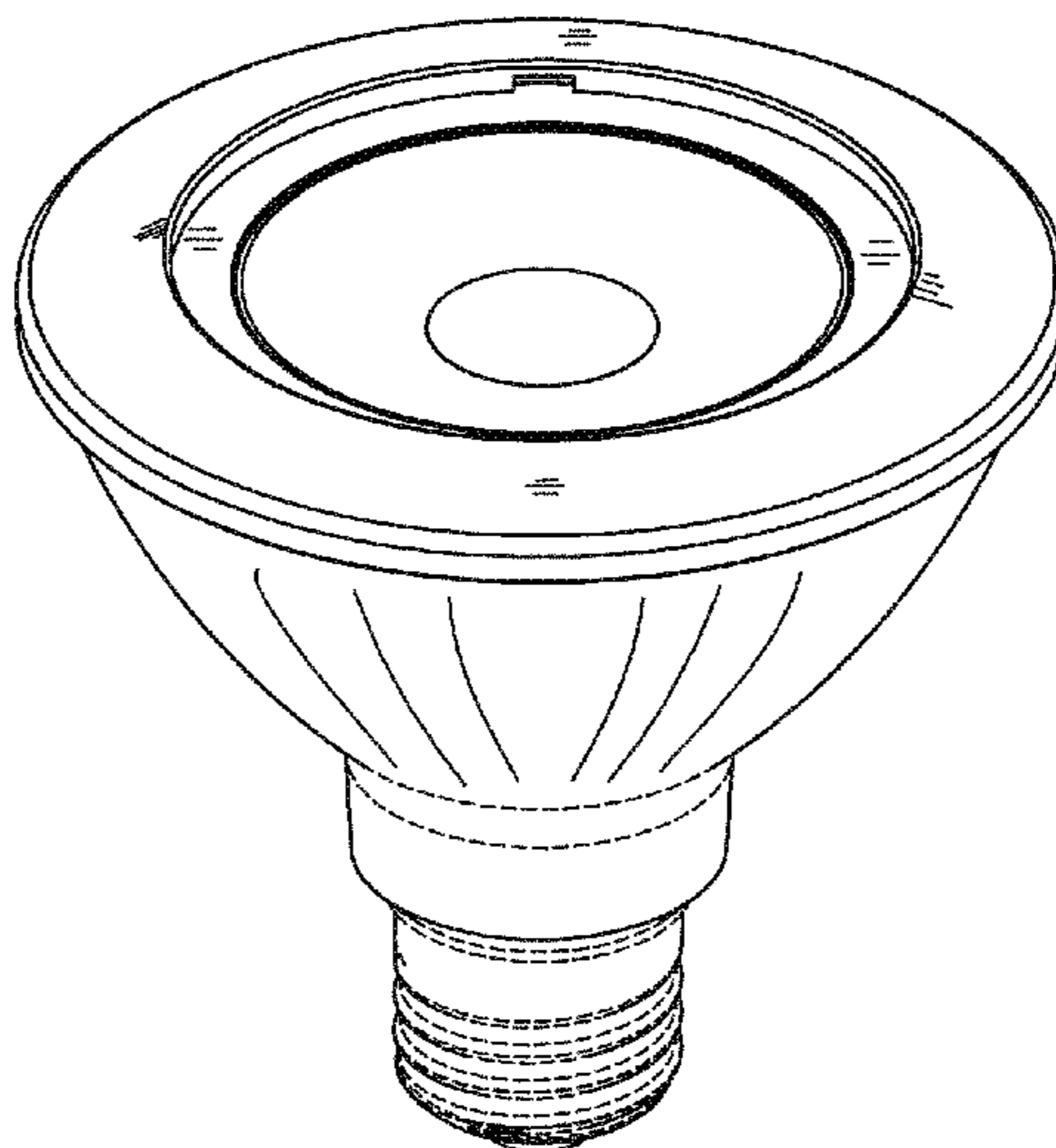
The ornamental design for a LED directional lamp with lens, as shown and described.

**DESCRIPTION**

FIG. 1 is a perspective view of a LED directional lamp with lens in accordance with the present design;  
FIG. 2 is a side view of the LED directional lamp with lens shown in FIG. 1;  
FIG. 3 is a top plan view of the LED directional lamp with lens shown in FIG. 1; and,  
FIG. 4 is a bottom plan view of the LED directional lamp with lens shown in FIG. 1.

The broken lines illustrate portions of the LED directional lamp with lens which form no part of the claimed design. Any shading forms no part of the claimed design and is provided to illustrate contour only and is not an indication of texture, gloss, and the like.

**1 Claim, 4 Drawing Sheets**



(56)

**References Cited**

U.S. PATENT DOCUMENTS

D739,570 S \* 9/2015 Shum ..... D26/2  
2012/0243240 A1\* 9/2012 Hashimoto ..... F21V 23/006  
362/368  
2013/0039070 A1\* 2/2013 Mathieu ..... F21V 7/0008  
362/294  
2015/0062897 A1\* 3/2015 Treurniet ..... F21K 9/233  
362/235  
2016/0273717 A1\* 9/2016 Krames ..... G02B 6/0073

\* cited by examiner

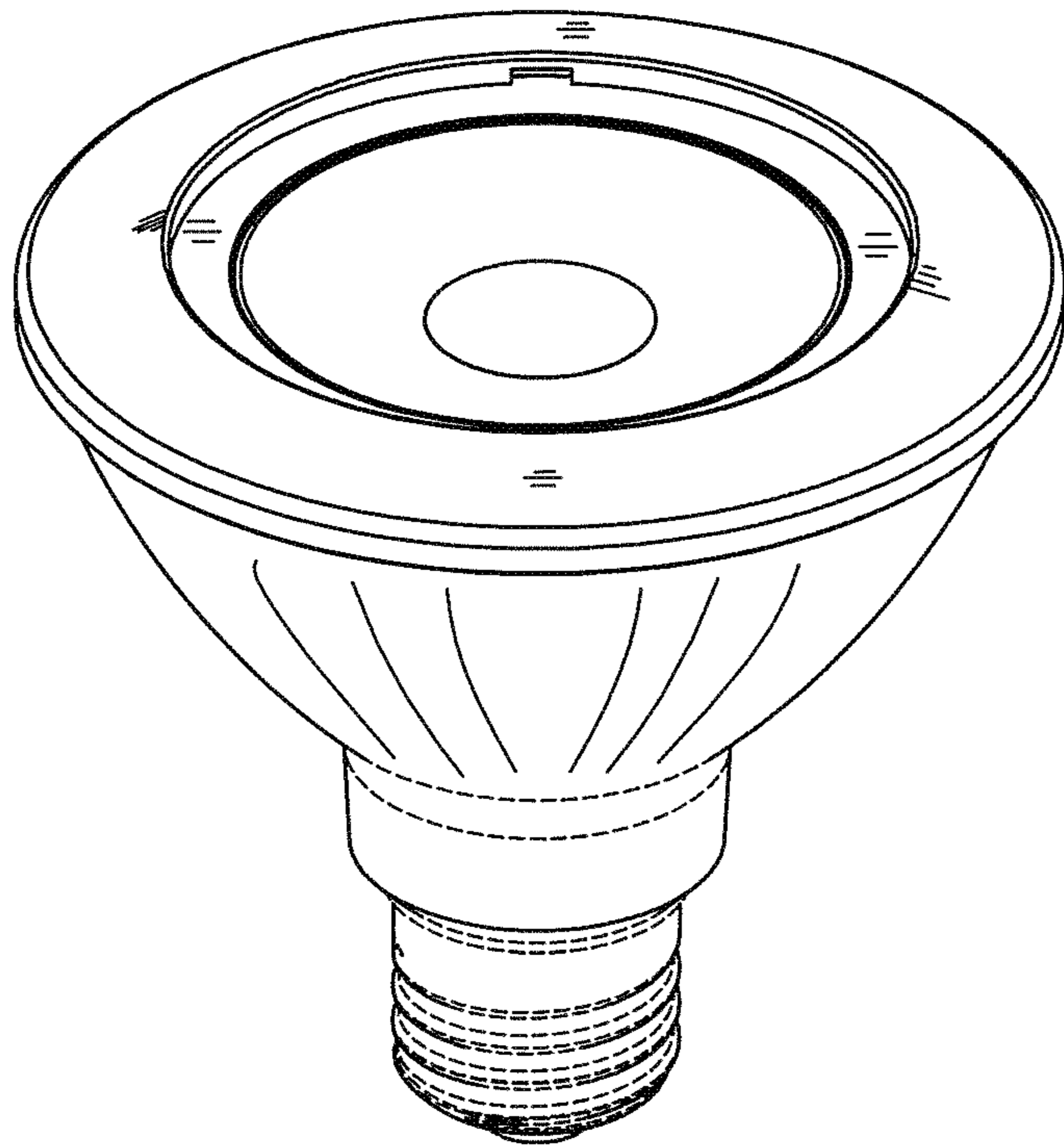


FIG. 1

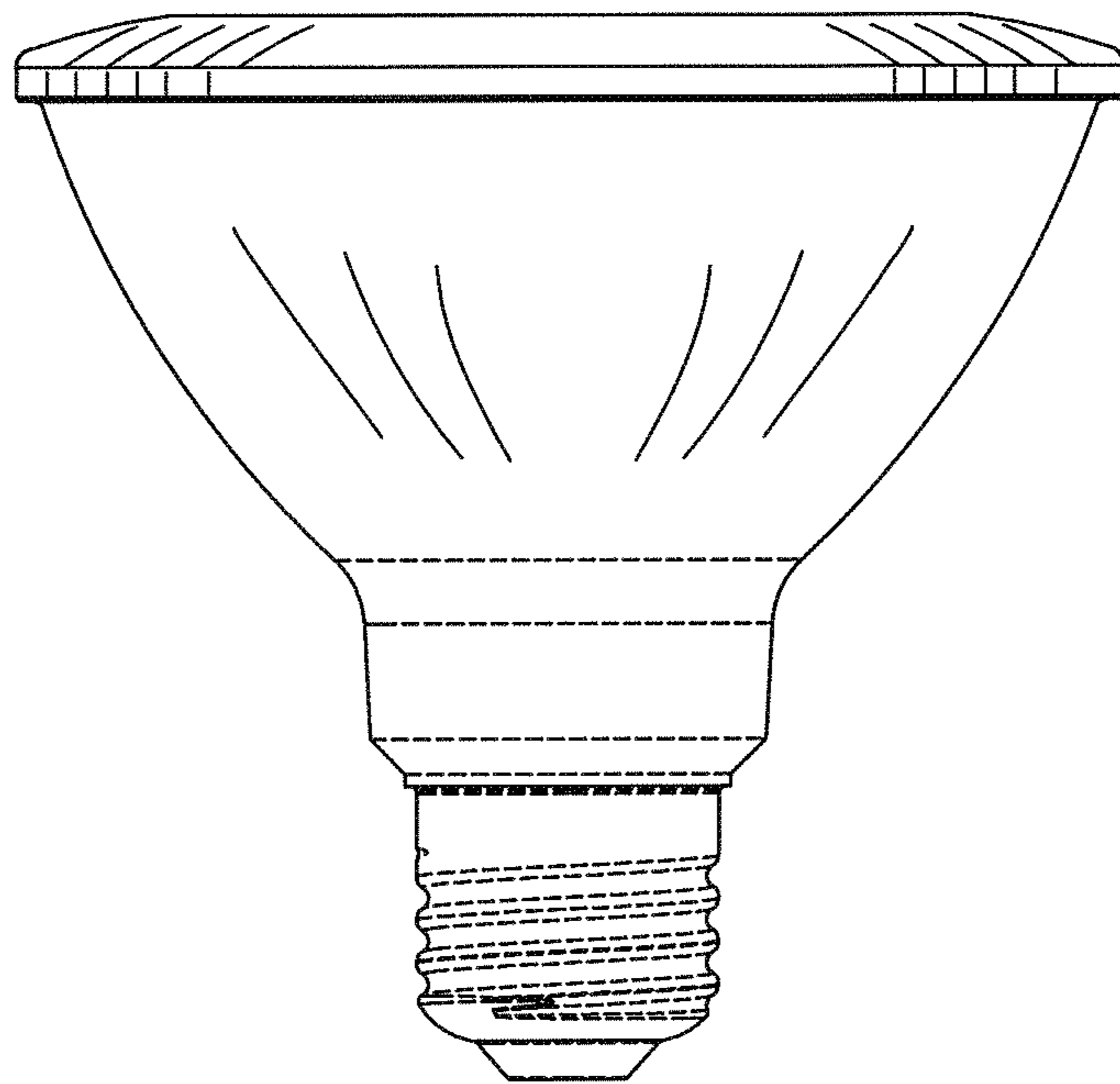


FIG. 2

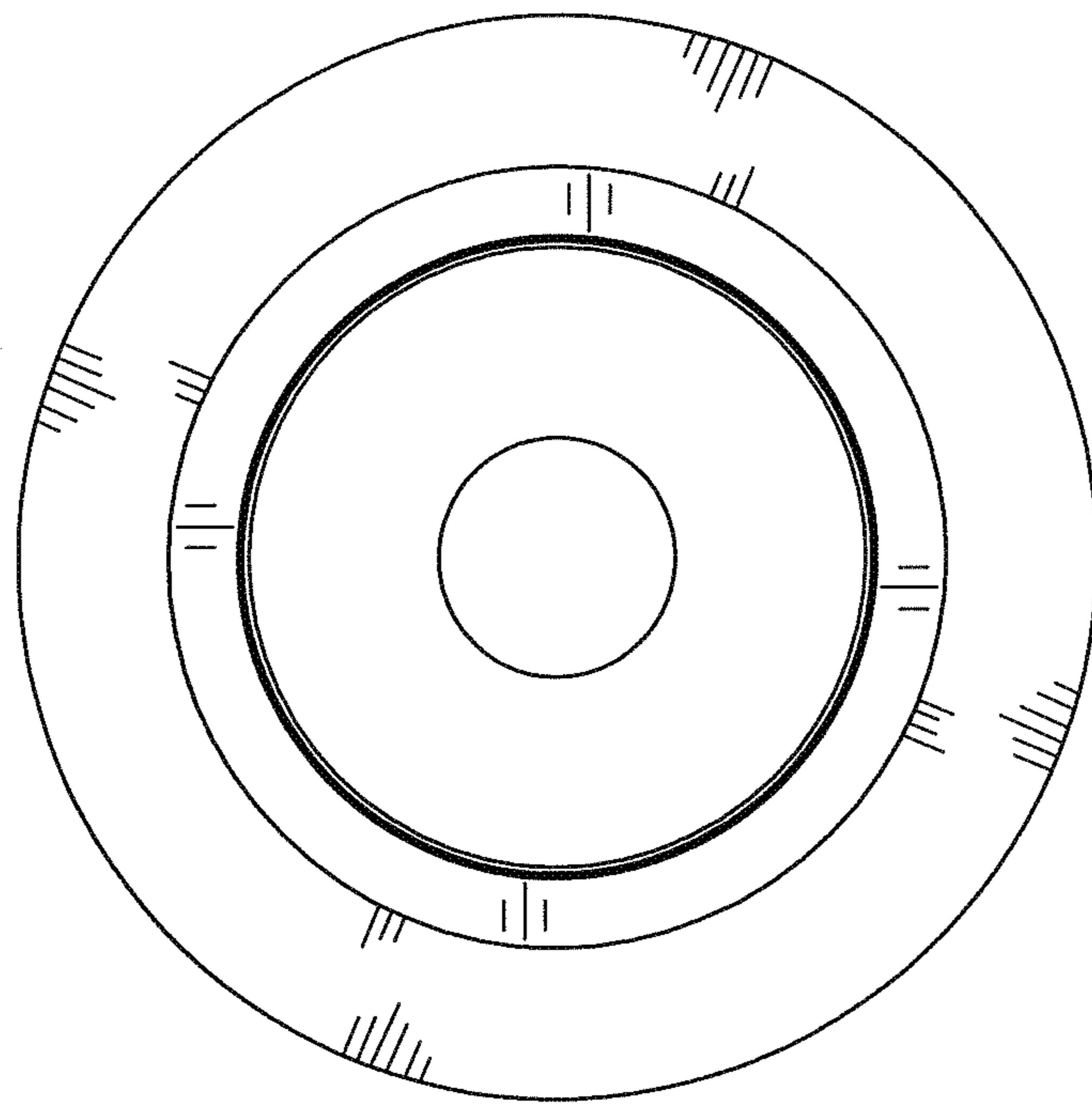


FIG. 3

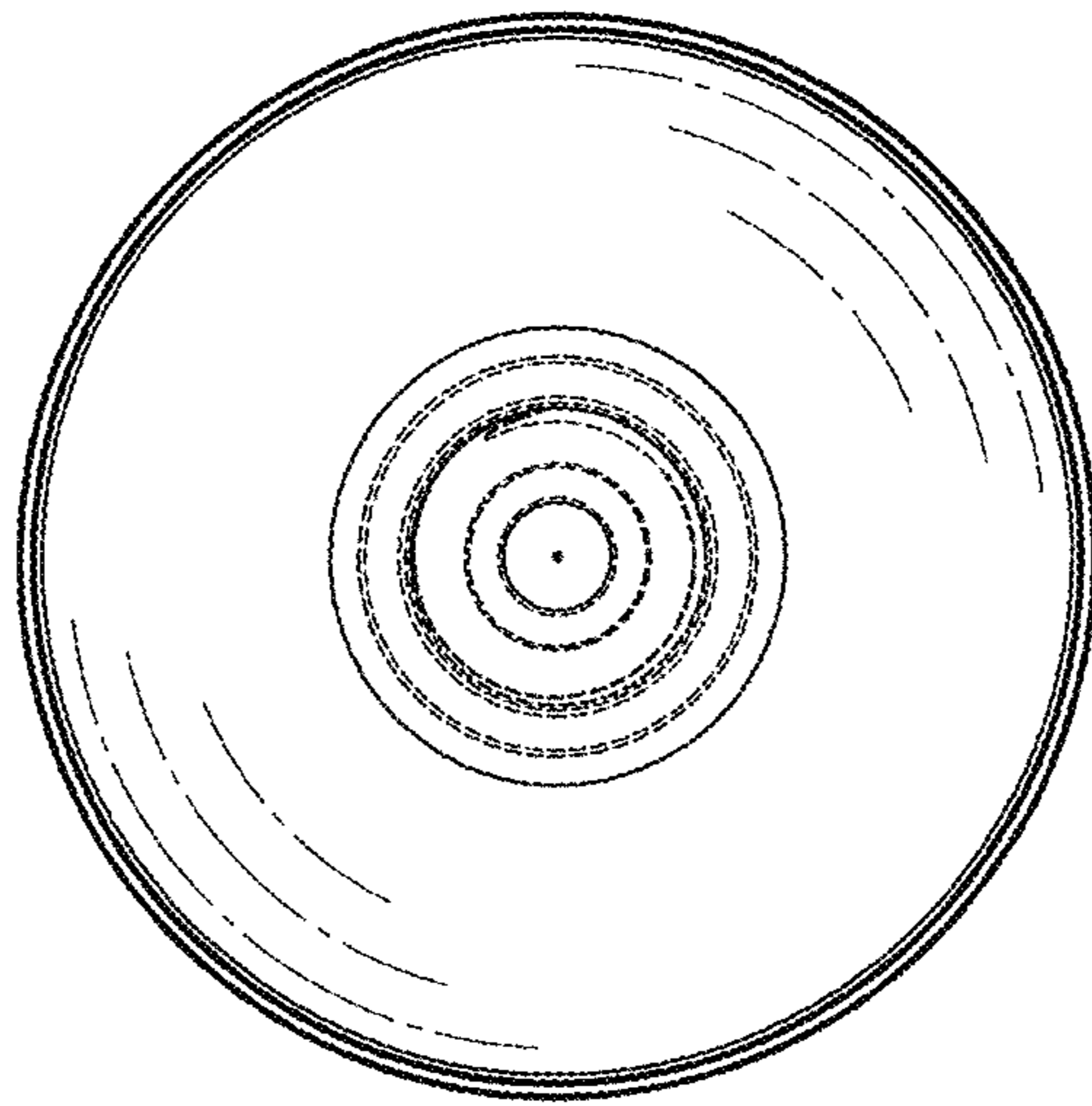


FIG. 4