



US00D794835S

(12) **United States Design Patent** (10) **Patent No.:** **US D794,835 S**
Van Dore et al. (45) **Date of Patent:** **** Aug. 15, 2017**

(54) **ARCHITECTURAL CEILING PANEL APPARATUS**

(71) Applicant: **ARMSTRONG WORLD INDUSTRIES, INC.**, Lancaster, PA (US)

(72) Inventors: **Jonathan P. Van Dore**, Lititz, PA (US); **Ryan D. Hanuschak**, Lancaster, PA (US)

(73) Assignee: **AWI Licensing LLC**, Wilmington, DE (US)

(**) Term: **14 Years**

(21) Appl. No.: **29/512,813**

(22) Filed: **Dec. 23, 2014**

(51) **LOC (10) Cl.** **25-01**

(52) **U.S. Cl.**
USPC **D25/138**

(58) **Field of Classification Search**
USPC D6/387, 347; D7/6, 9, 12, 23, 32, 35, D7/39; D14/451, 125; D20/11, 26;
(Continued)

(56) **References Cited**

U.S. PATENT DOCUMENTS

3,391,504 A 7/1968 McLorg
3,638,368 A 2/1972 Pierson
(Continued)

Primary Examiner — Susan Bennett Hattan

Assistant Examiner — Camelia H Styles

(74) *Attorney, Agent, or Firm* — Craig M Sterner

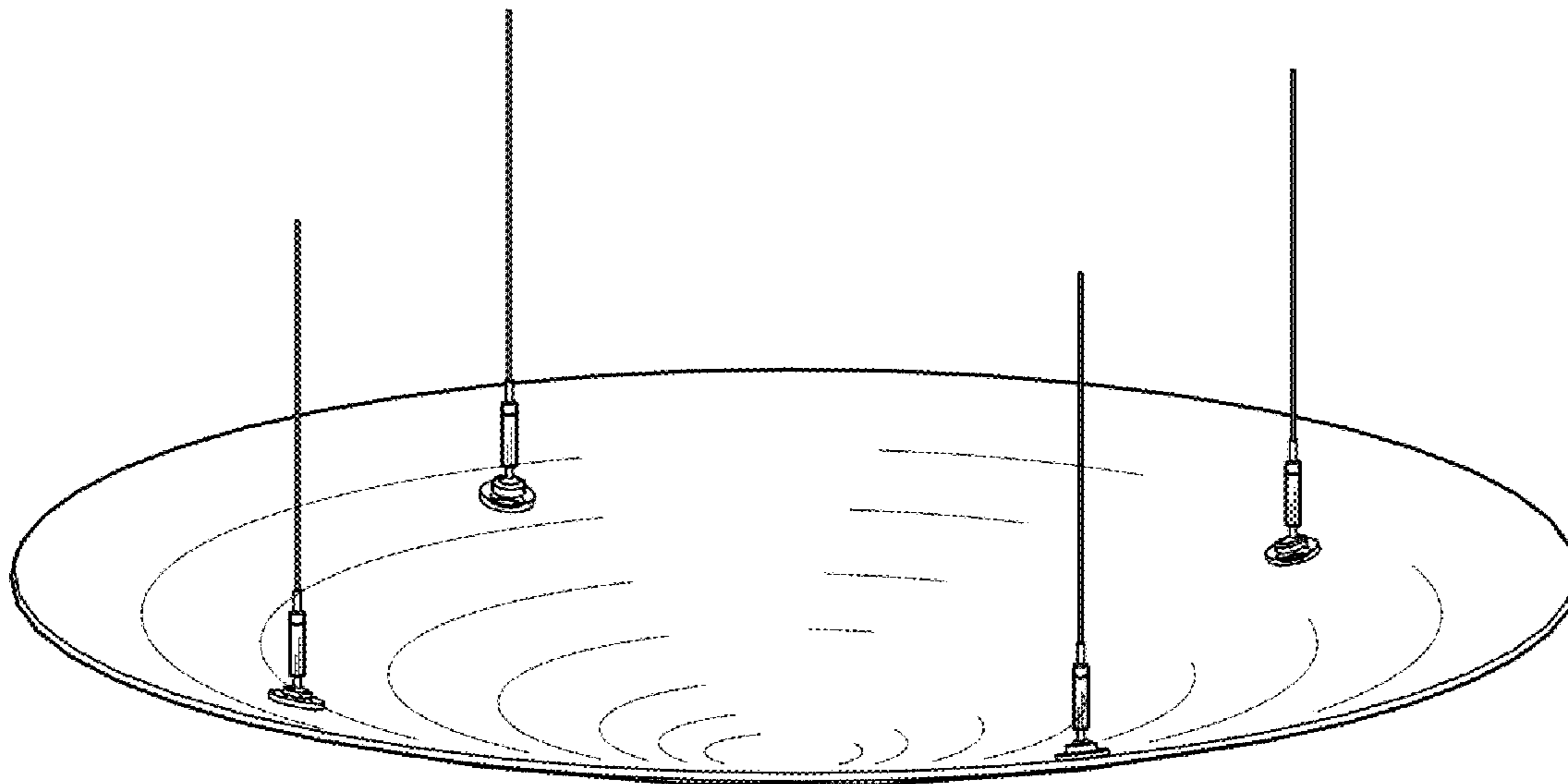
(57) **CLAIM**

We claim the ornamental design for an architectural ceiling panel apparatus, as shown and described.

DESCRIPTION

FIG. 1 is an elevated perspective view of an architectural ceiling panel apparatus showing my new design in accordance with a first embodiment of the present invention; FIG. 2 is a bottom perspective view of the architectural ceiling panel apparatus of FIG. 1; FIG. 3 is a right-side plan view of the architectural ceiling panel apparatus of FIG. 1; FIG. 4 is a left-side plan view of the architectural ceiling panel apparatus of FIG. 1; FIG. 5 is a front plan view of the architectural ceiling panel apparatus of FIG. 1; FIG. 6 is a rear plan view of the architectural ceiling panel apparatus of FIG. 1; FIG. 7 is a top plan view of the architectural ceiling panel apparatus of FIG. 1; FIG. 8 is a bottom plan view of the architectural ceiling panel apparatus of FIG. 1; FIG. 9 is an elevated perspective view of an architectural ceiling panel apparatus showing my new design in accordance with a second embodiment of the present invention; FIG. 10 is a bottom perspective view of the architectural ceiling panel apparatus of FIG. 9; FIG. 11 is a right-side plan view of the architectural ceiling panel apparatus of FIG. 9; FIG. 12 is a left-side plan view of the architectural ceiling panel apparatus of FIG. 9; FIG. 13 is a front plan view of the architectural ceiling panel apparatus of FIG. 9; FIG. 14 is a rear plan view of the architectural ceiling panel apparatus of FIG. 9; FIG. 15 is a top plan view of the architectural ceiling panel apparatus of FIG. 9; and, FIG. 16 is a bottom plan view of the architectural ceiling panel apparatus of FIG. 9.

1 Claim, 8 Drawing Sheets



(58) **Field of Classification Search**

USPC D25/58, 103, 138, 150, 157; D26/9, 72,
 D26/75, 76, 80, 686, 88, 90, 91, 92, 118,
 D26/120, 84-85, 128-129; D59/1 D;
 D64/2 E; D92/1 A, 1 B, 1 C; 5/104,
 5/120; 52/506.07, 80.1, 22, 506.09, 752,
 52/763, 309.1, 316, 222, 220.6, 236.1,
 52/313, 390, 506.01, 506.06, 506.08;
 280/18, 18.1; 297/273; 362/278, 307,
 362/355, 490, 606; 428/51, 52, 106;
 432/259; 434/127
 CPC F21S 8/06; F21S 8/061; F21S 8/063; F21S
 8/065; F21S 8/068; E04B 9/061; E04B
 9/26; E04B 9/122; E04B 9/003; E04B
 9/0435; E04B 9/0478; E04B 9/068
 See application file for complete search history.

(56) **References Cited**

U.S. PATENT DOCUMENTS

4,393,631 A 7/1983 Krent
 4,666,171 A 5/1987 Sellers
 5,149,117 A 9/1992 Wilkens, Sr. et al.
 D341,443 S * 11/1993 Shapiro D26/118
 D361,151 S * 8/1995 Corbett D26/90
 D364,002 S * 11/1995 von Kluck D26/110
 5,511,258 A 4/1996 Barr, Sr.
 6,015,222 A * 1/2000 Schindler B60Q 3/0279
 362/307

D441,119 S * 4/2001 Crosby D26/85
 D469,209 S * 1/2003 Homann D26/118
 D536,820 S * 2/2007 Crosby D26/84
 D552,293 S * 10/2007 Silver D26/88
 7,406,802 B2 * 8/2008 Stackenwalt E04B 9/0414
 52/22
 D577,850 S * 9/2008 Nicholas D26/88
 D578,244 S * 10/2008 Porter D26/90
 D595,890 S * 7/2009 Sabernig D26/84
 D600,394 S * 9/2009 Ambruster D26/90
 D607,137 S * 12/2009 Chen D26/88
 D609,844 S * 2/2010 Ngai D26/88
 D620,180 S * 7/2010 Sabernig D26/84
 D624,938 S 10/2010 Kelly et al.
 D649,282 S * 11/2011 McDonald D26/118
 D649,945 S * 12/2011 Kim D14/125
 D659,886 S * 5/2012 Wauters D26/90
 D669,621 S * 10/2012 Sabernig D26/84
 8,454,450 B1 6/2013 Cordray
 8,528,266 B2 9/2013 Ellen
 D700,989 S * 3/2014 Rampolla D26/88
 D716,490 S * 10/2014 De Bevilacqua D26/90
 D722,066 S * 2/2015 Baker D14/451
 D725,817 S * 3/2015 Schaefer D26/118
 D728,145 S * 4/2015 Shiqiang D26/88
 D740,480 S * 10/2015 Thompson D26/90
 D751,752 S * 3/2016 Dodge D26/120
 2010/0095606 A1 4/2010 Bankston
 2014/0153257 A1 * 6/2014 Smith F21V 21/00
 362/355
 2015/0345139 A1 * 12/2015 Underkofler E04B 9/003
 52/506.08

* cited by examiner

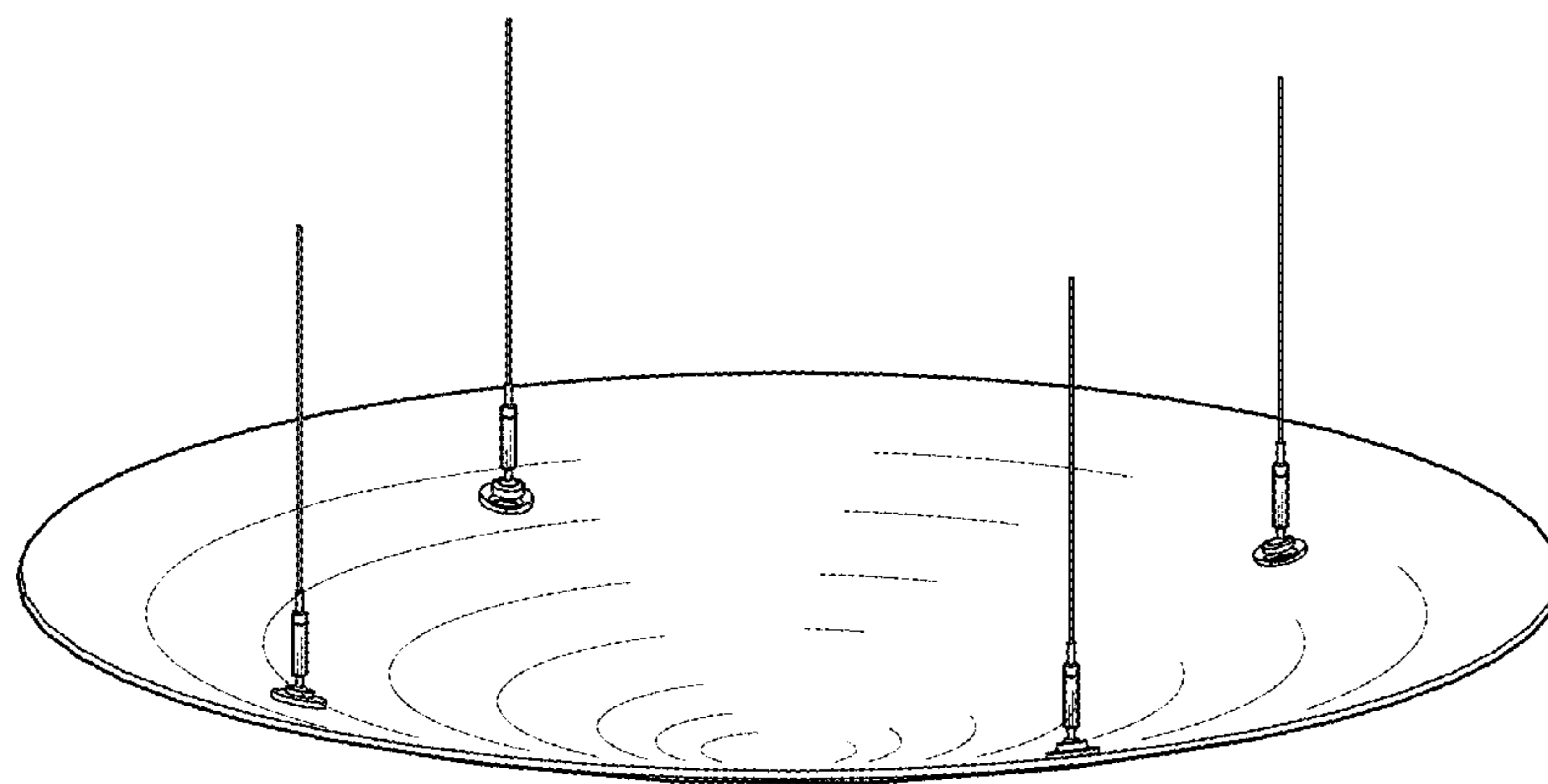


FIG. 1

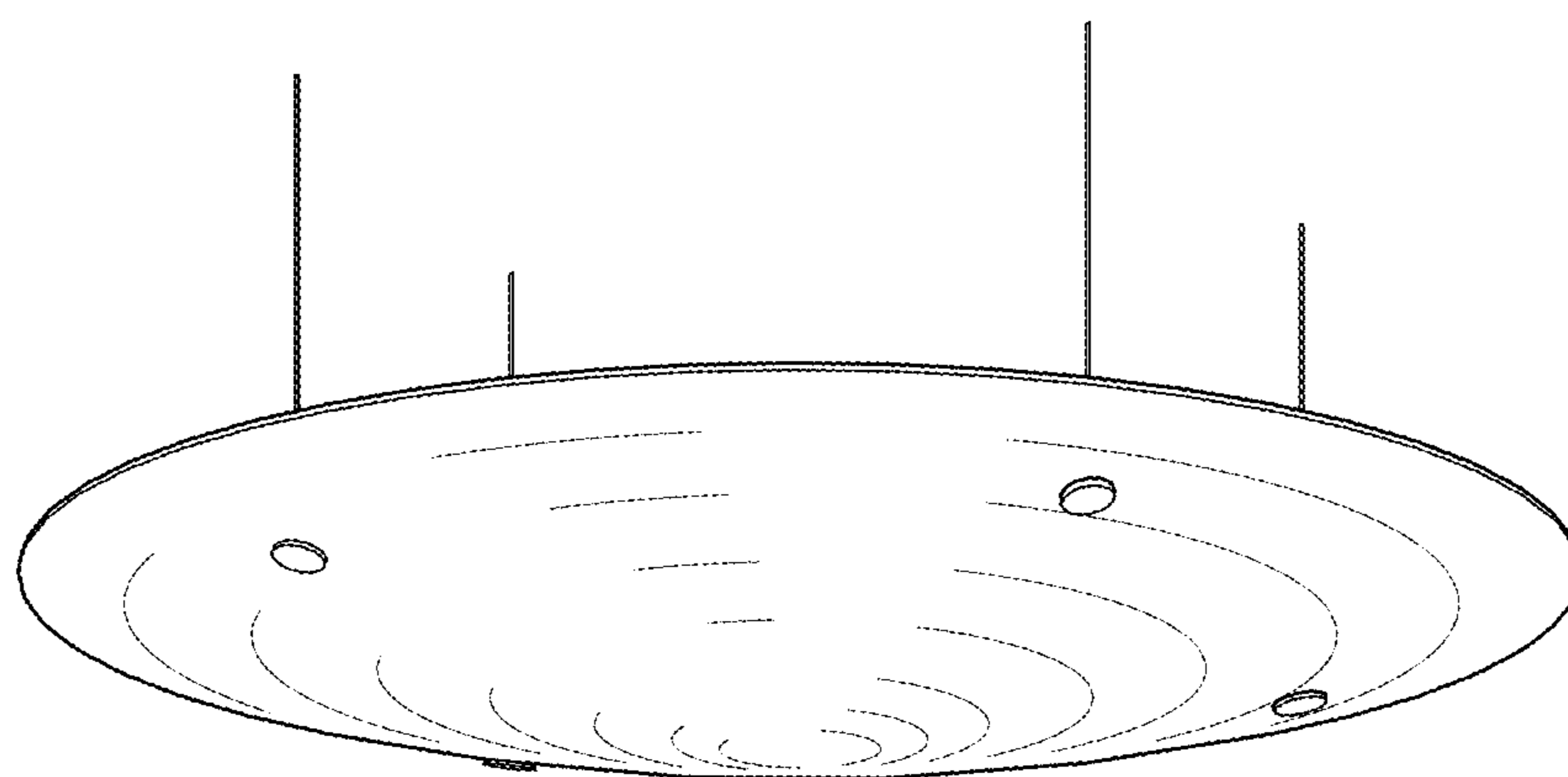


FIG. 2

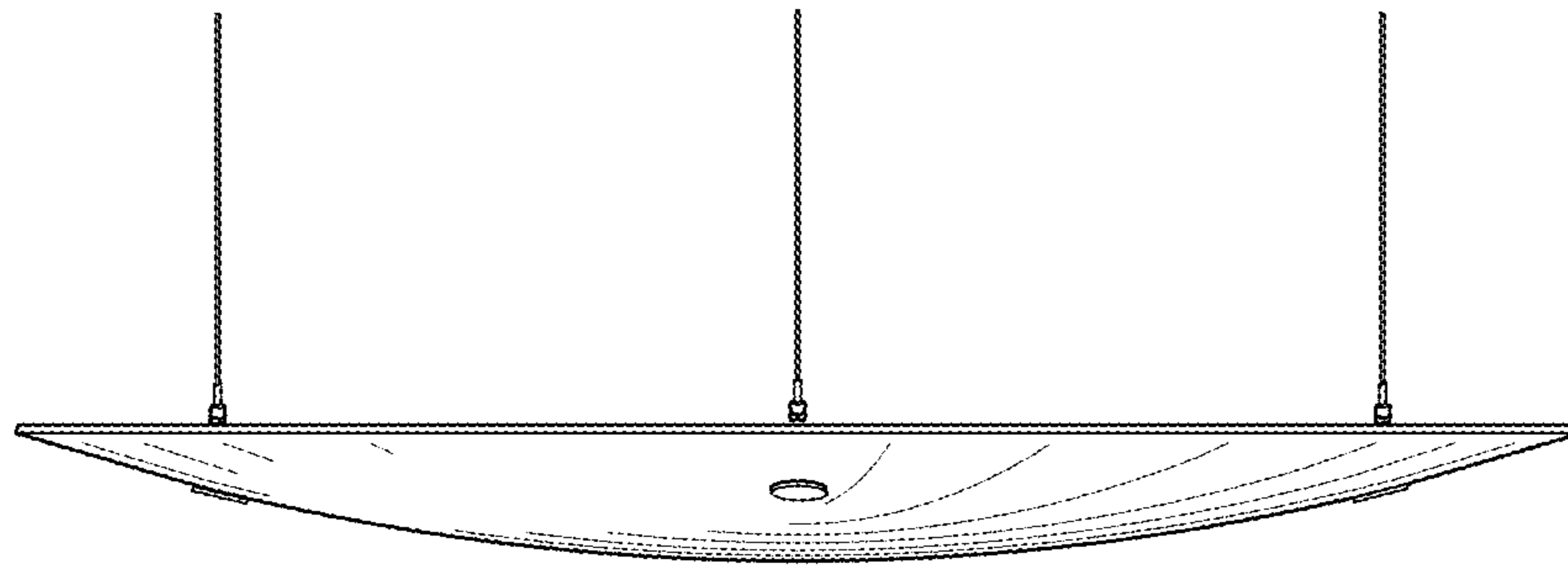


FIG. 3

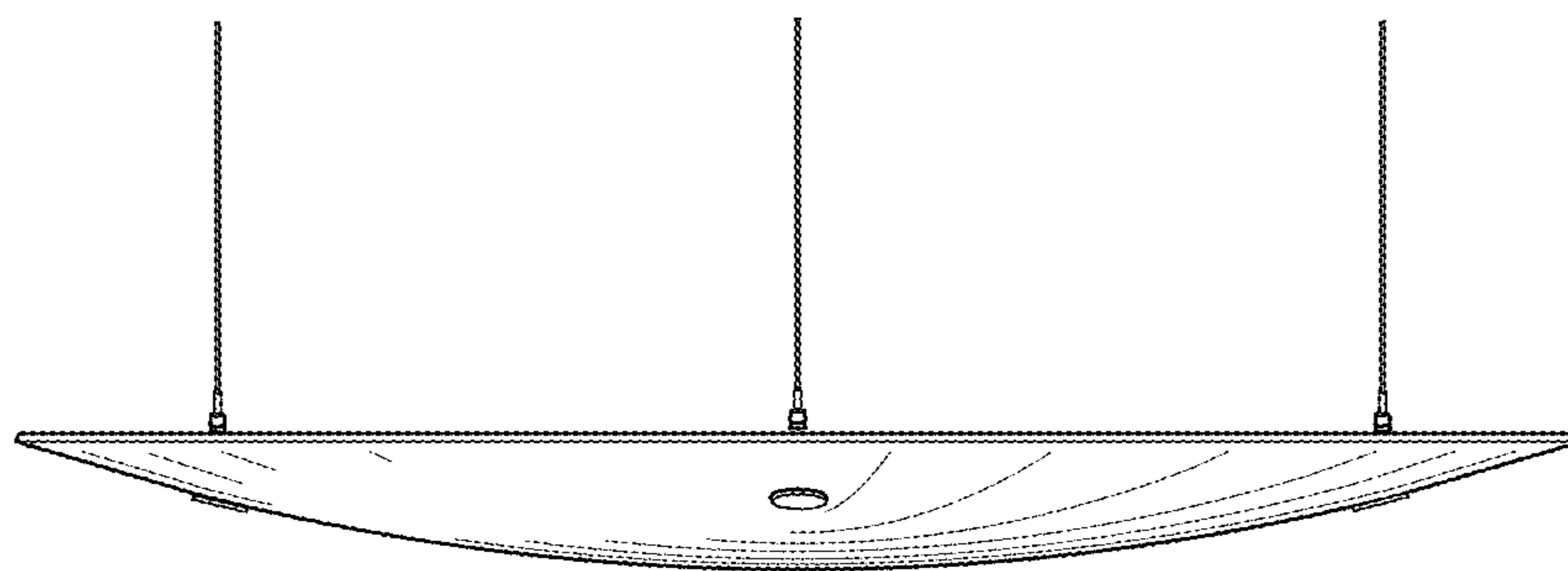


FIG. 4

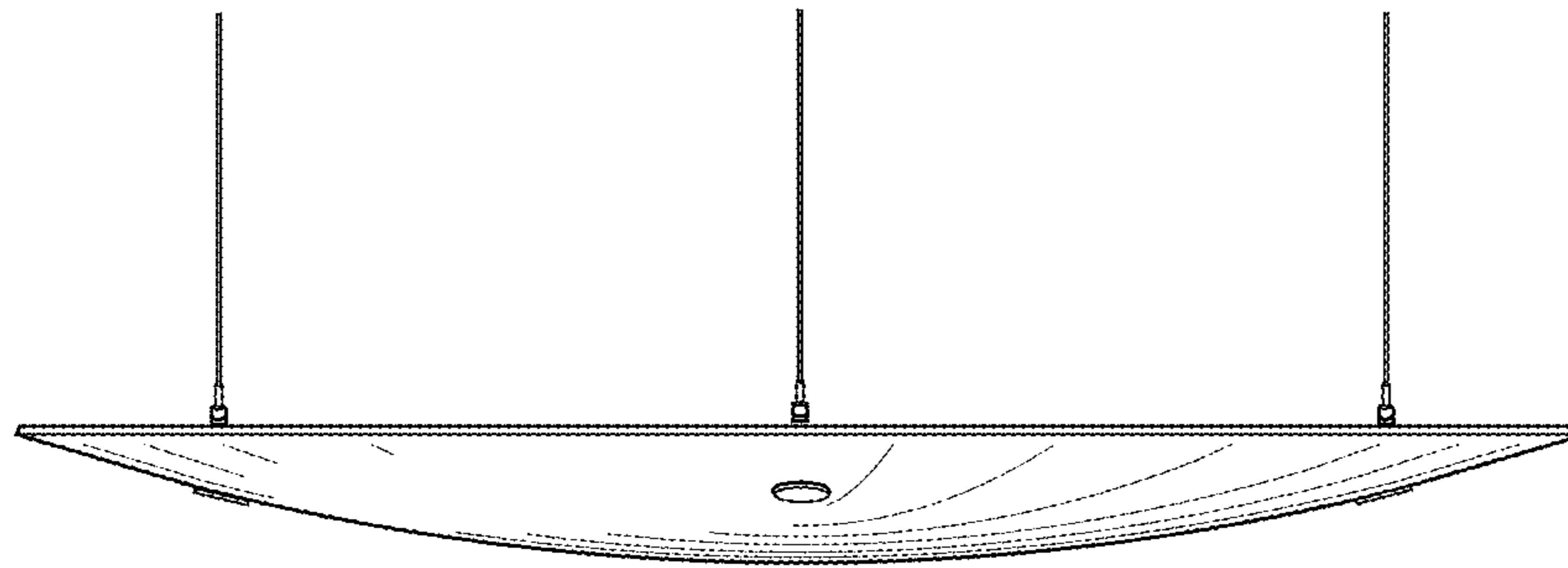


FIG. 5

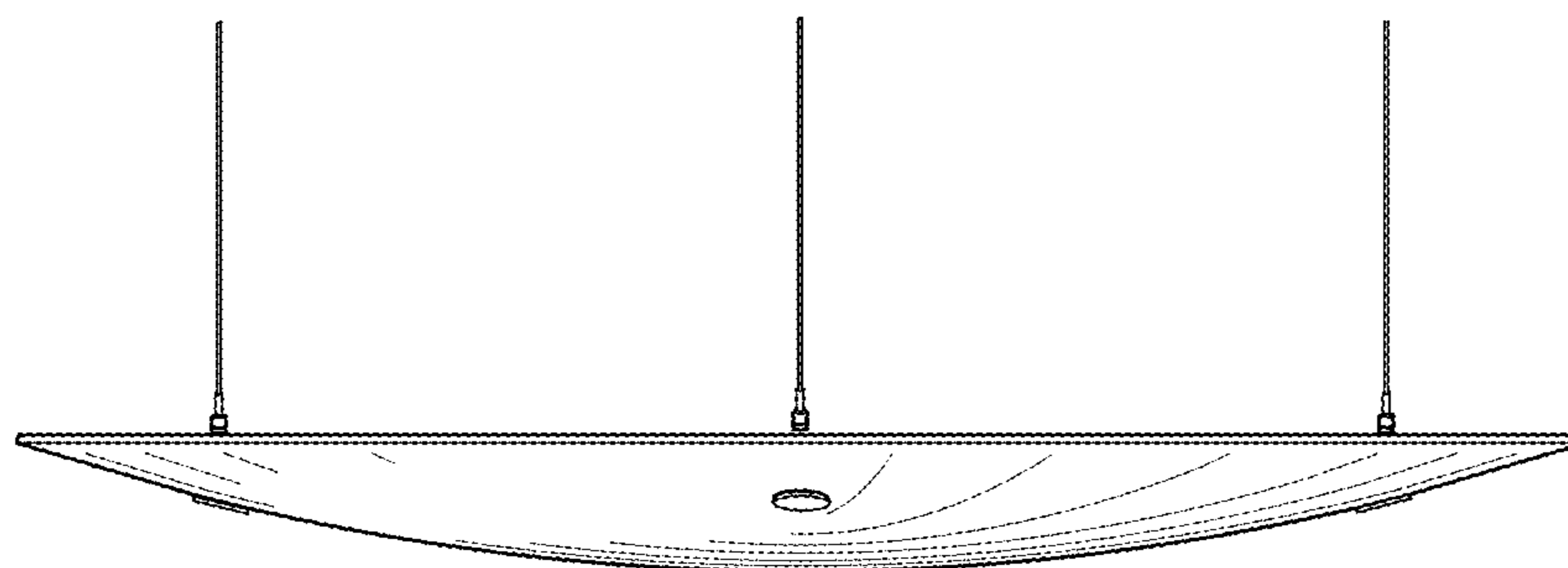


FIG. 6

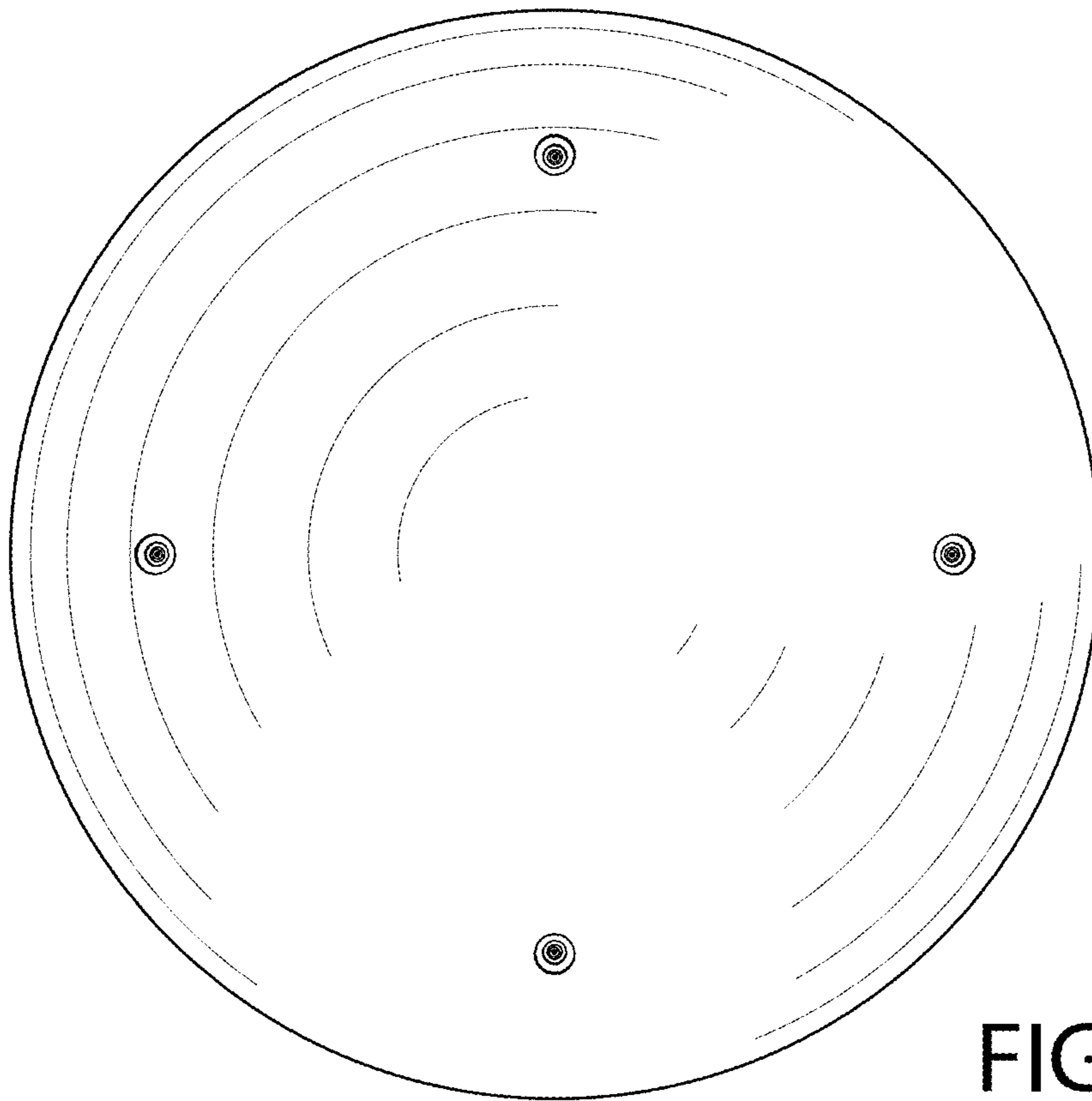


FIG. 7

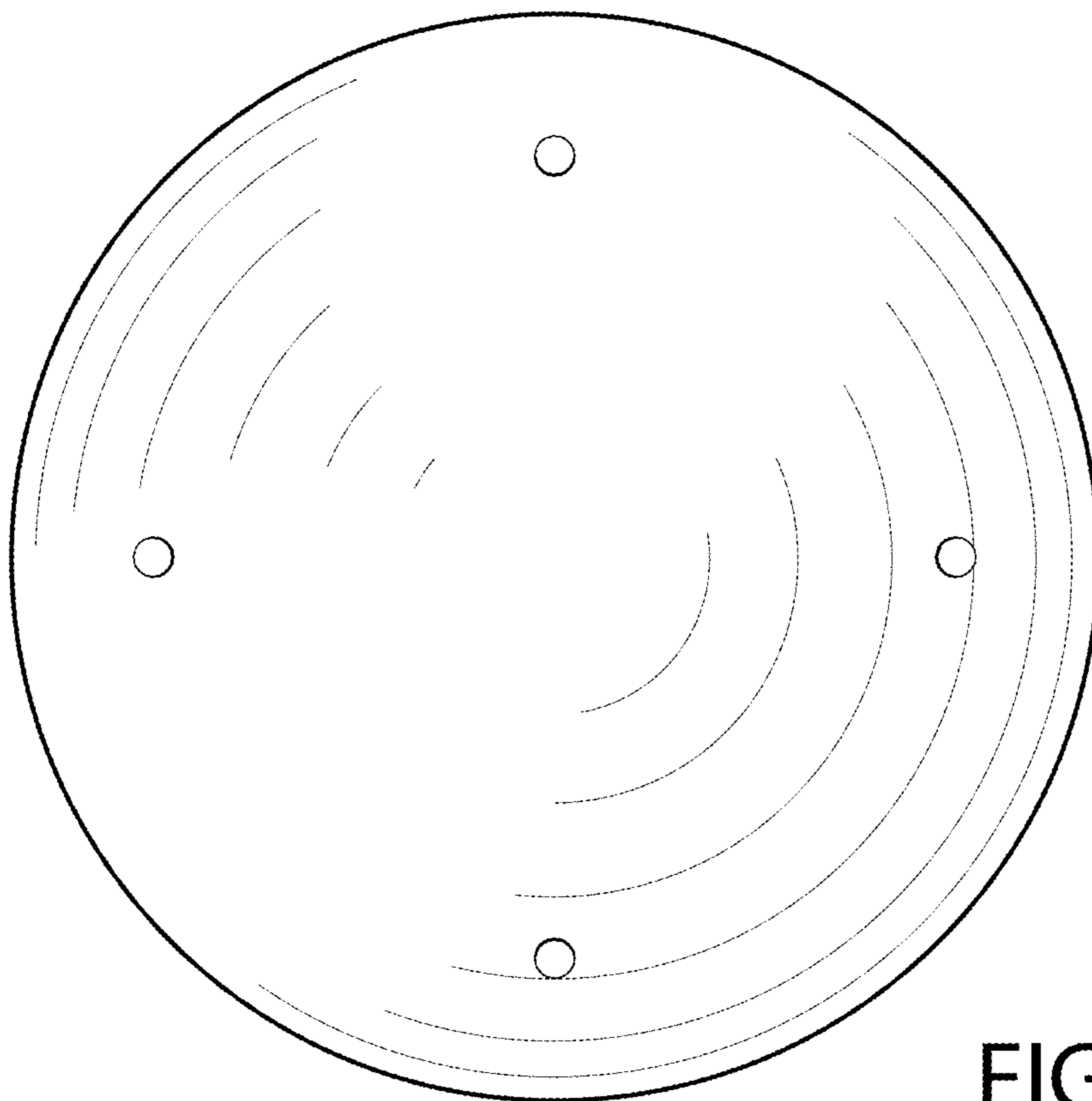


FIG. 8

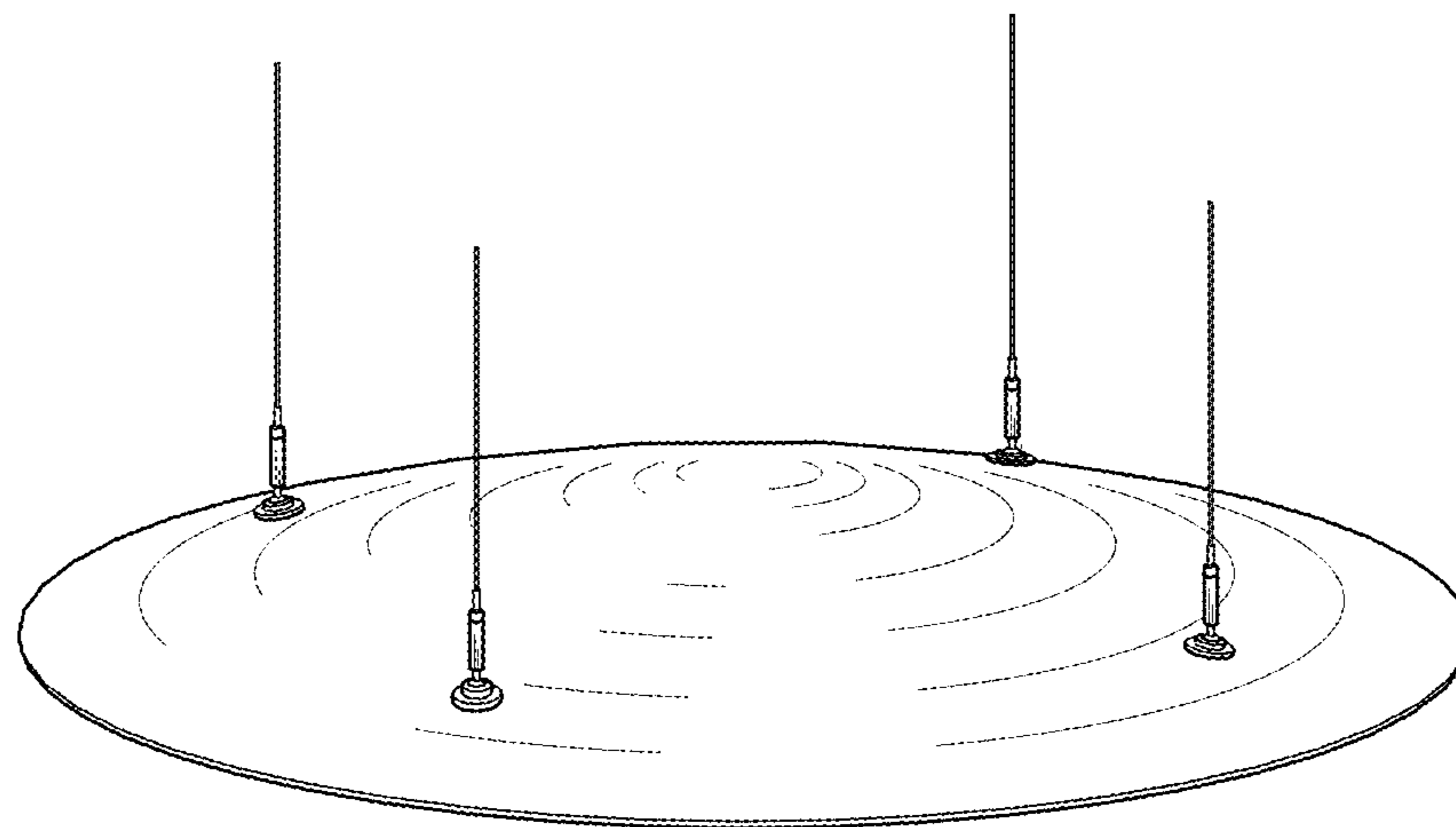


FIG. 9

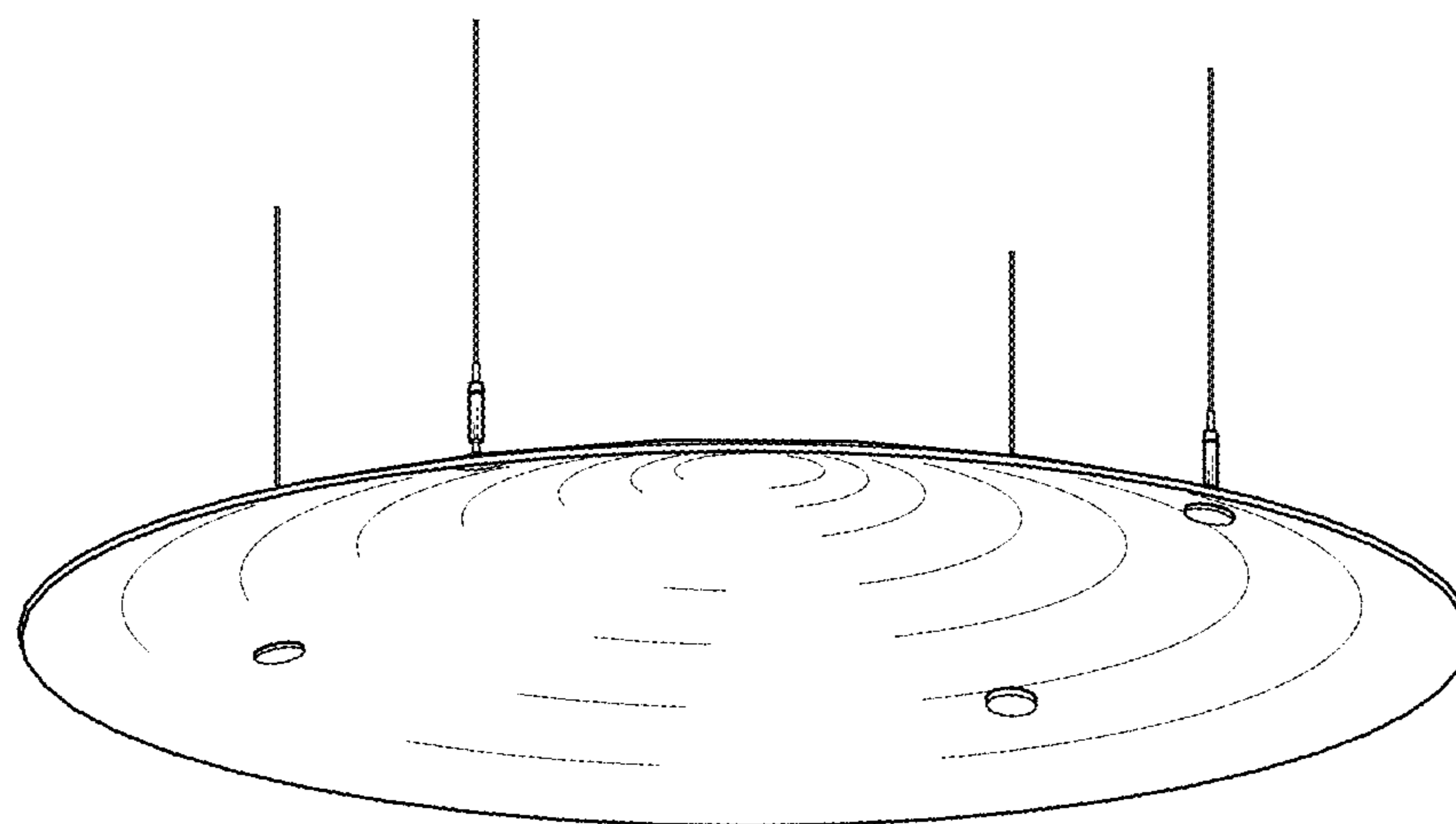


FIG. 10

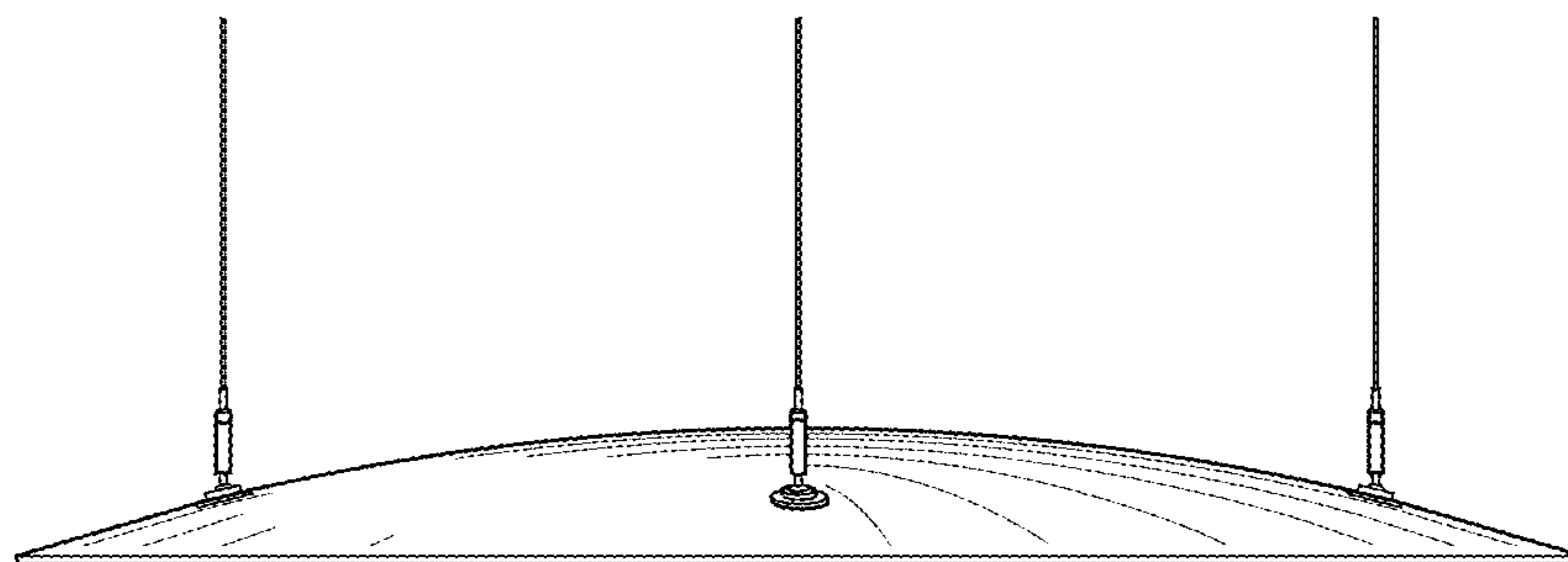


FIG. 11

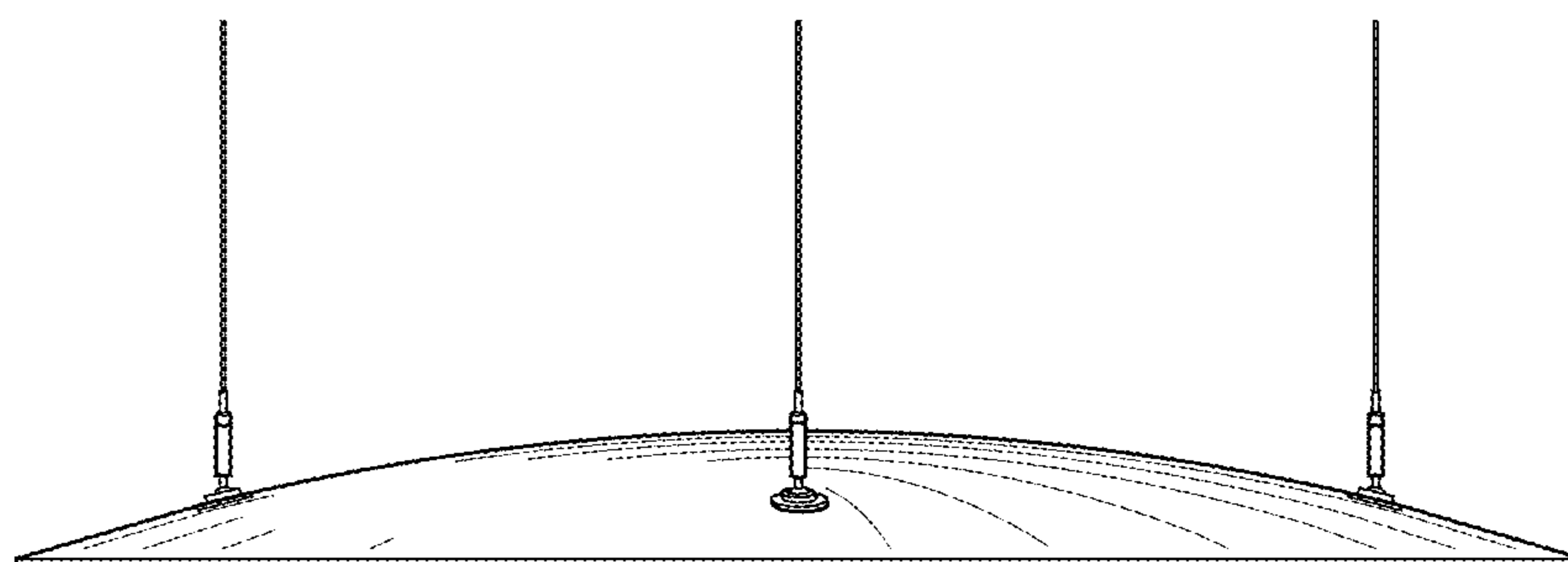


FIG. 12

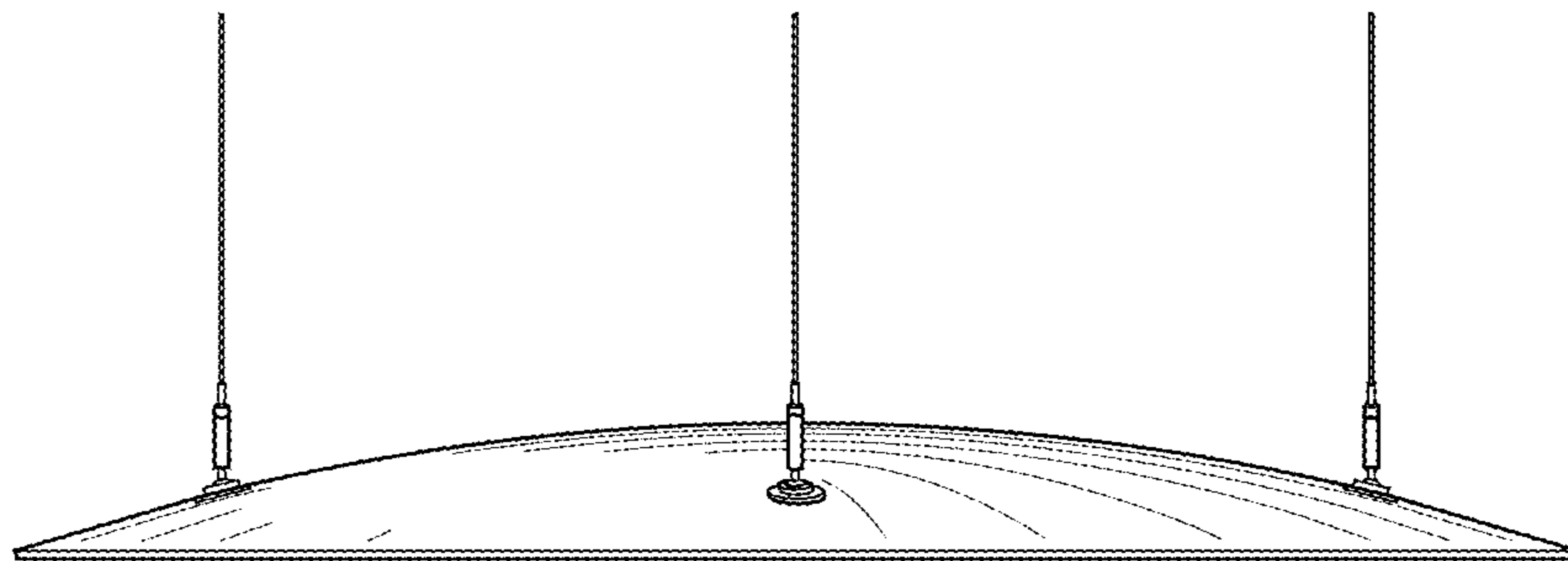


FIG. 13

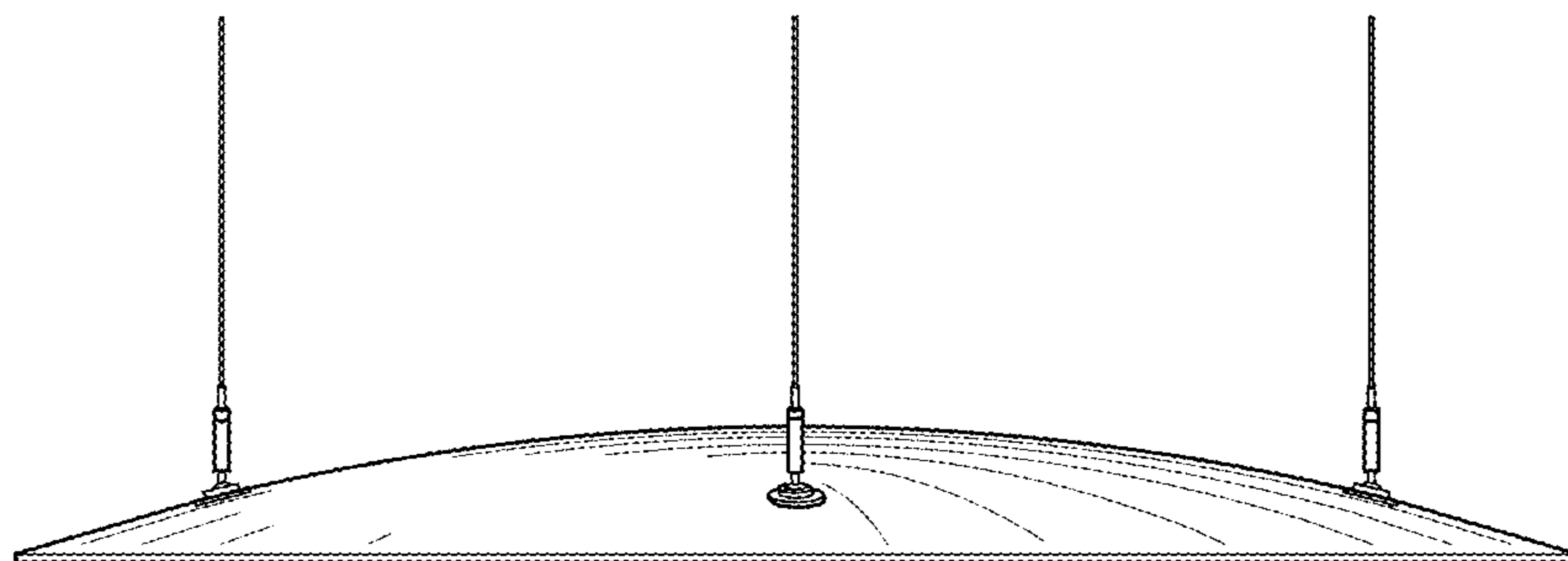


FIG. 14

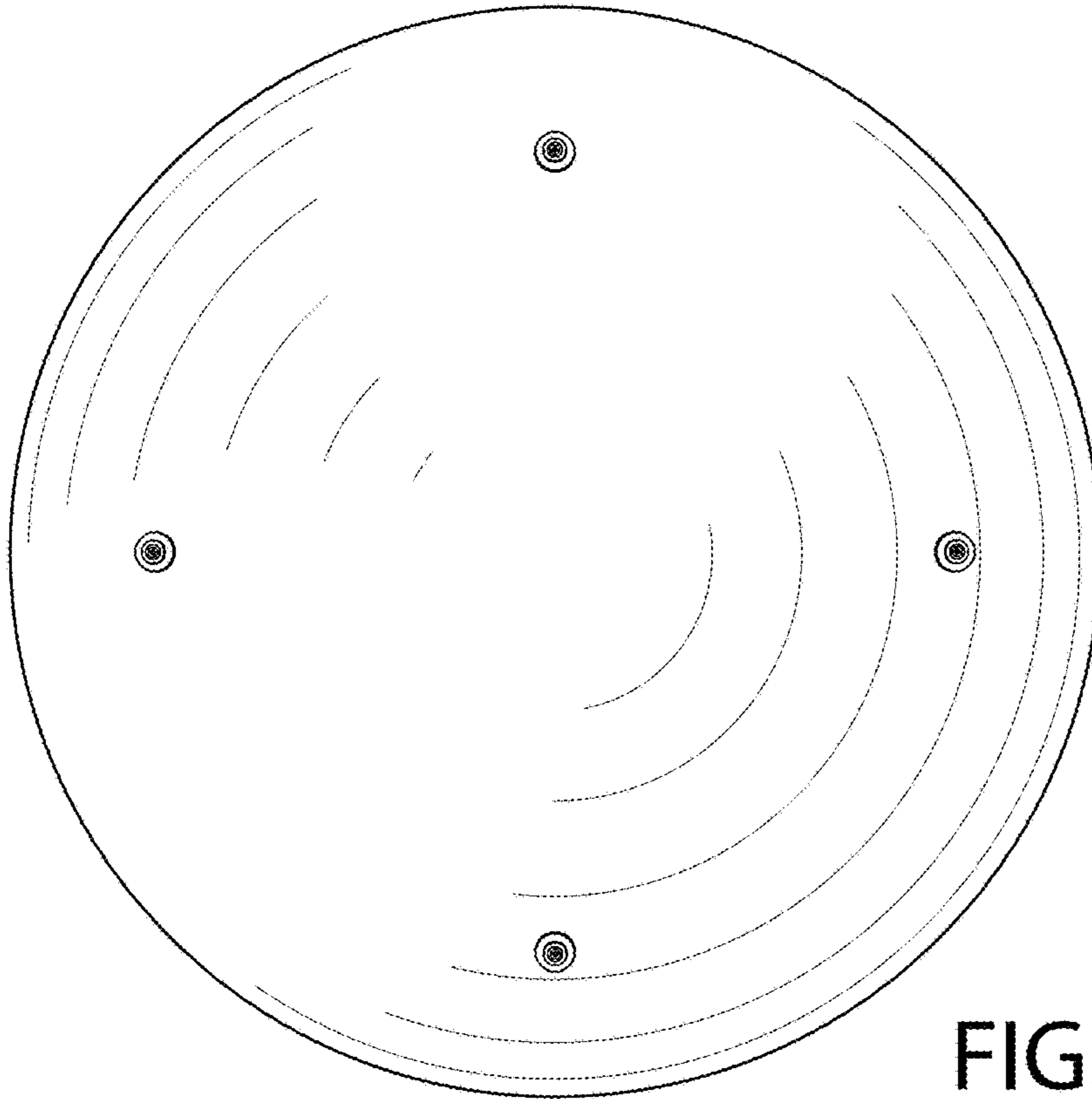


FIG. 15

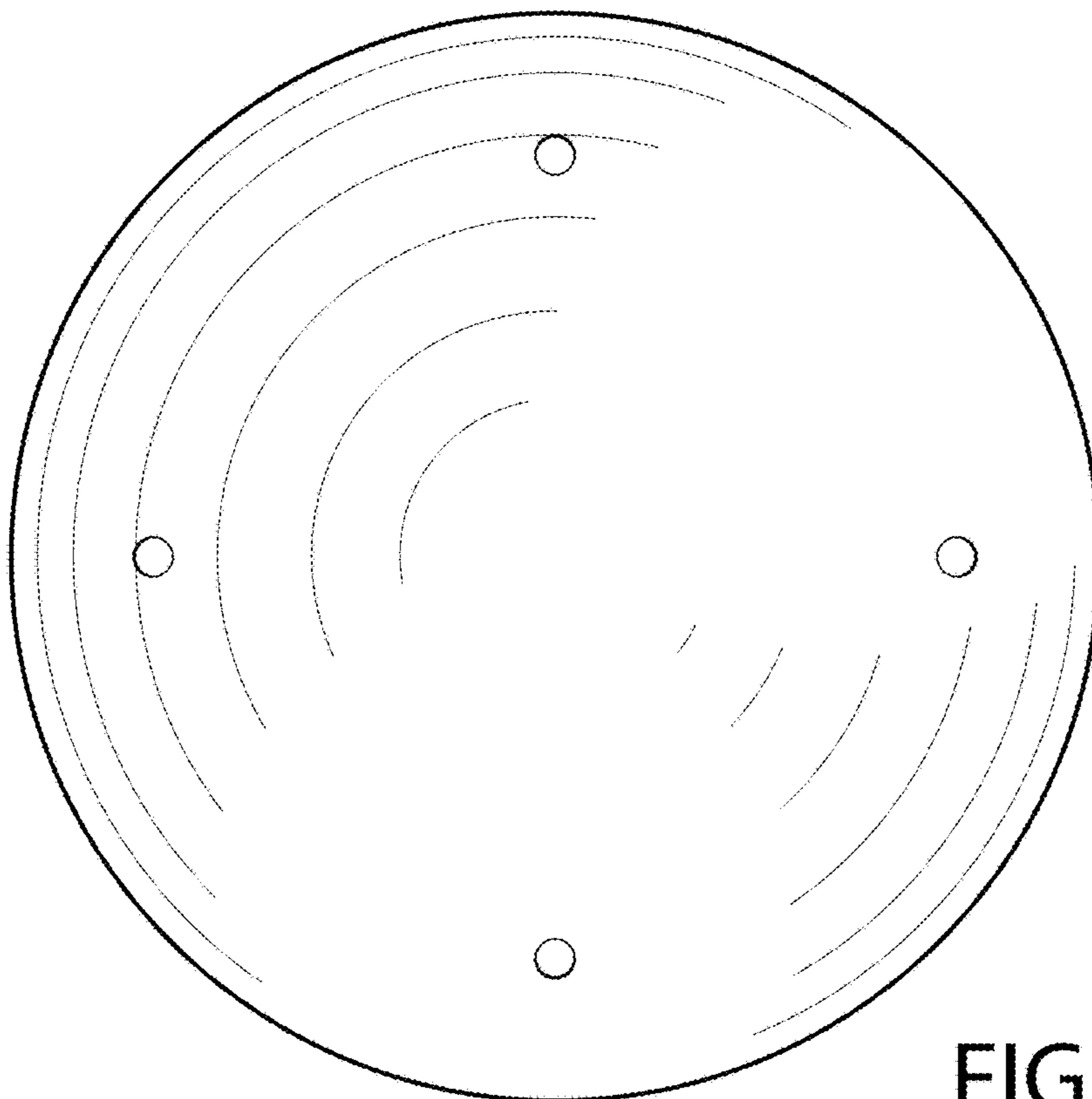


FIG. 16