



US00D794833S

(12) **United States Design Patent** (10) **Patent No.:** **US D794,833 S**
Singh (45) **Date of Patent:** **** Aug. 15, 2017**

(54) **TRIM REVEAL EXTRUSION**
(71) Applicant: **Joshua George Singh**, Calgary (CA)
(72) Inventor: **Joshua George Singh**, Calgary (CA)
(**) Term: **15 Years**
(21) Appl. No.: **29/559,896**
(22) Filed: **Mar. 31, 2016**
(51) **LOC (10) Cl.** **25-01**
(52) **U.S. Cl.**
USPC **D25/119**
(58) **Field of Classification Search**
USPC D25/35, 38.1, 41.1, 42, 43, 44, 47.1,
D25/48.1, 48.4, 58, 119-123, 125, 136,
D25/137, 164, 199; 52/62, 169.5, 254,
52/255, 281, 282.1, 287.1, 288.1, 371,
52/459, 461, 465, 471, 472, 716.2, 706,
52/717.01; 160/368.1, 395; D8/349,
D8/354, 355, 366, 373, 377, 380, 381,
D8/403; D20/10, 43, 44
CPC E04F 2013/063; E04F 13/00; E04F 13/06;
E04F 15/142; E04F 19/02; E04F 19/0436;
E04F 19/0495; E04F 19/061; E04F 19/04;
B60R 13/04; B60R 13/0206; B60R 13/02;
A47B 95/00; A47B 96/201; E04C 2/08
See application file for complete search history.

D598,138 S * 8/2009 Bergmann D25/121
D598,139 S * 8/2009 Bergmann D25/122
D611,743 S * 3/2010 Mitten D8/377
D656,603 S * 3/2012 Egan D25/136
D689,199 S * 9/2013 Elizarraras D25/136
8,745,950 B2 * 6/2014 Ito E04F 13/0803
52/311.1
D711,021 S * 8/2014 Singh D25/119
D711,555 S * 8/2014 Singh D25/119
D742,540 S * 11/2015 Singh D25/119
D742,543 S * 11/2015 Singh D25/119
D742,548 S * 11/2015 Singh D25/119
D746,669 S * 1/2016 McBride E04F 19/061
D25/121
D752,422 S * 3/2016 Veilleux D8/377
D767,382 S * 9/2016 Libreiro D25/119
2003/0182889 A1 * 10/2003 Takagi E04F 19/02
52/579

(Continued)

Primary Examiner — Cynthia Ramirez
Assistant Examiner — Llorellys Martinez-Rivera
(74) *Attorney, Agent, or Firm* — Tai W. Nahm; Miller
Thomson LLP

(57) **CLAIM**

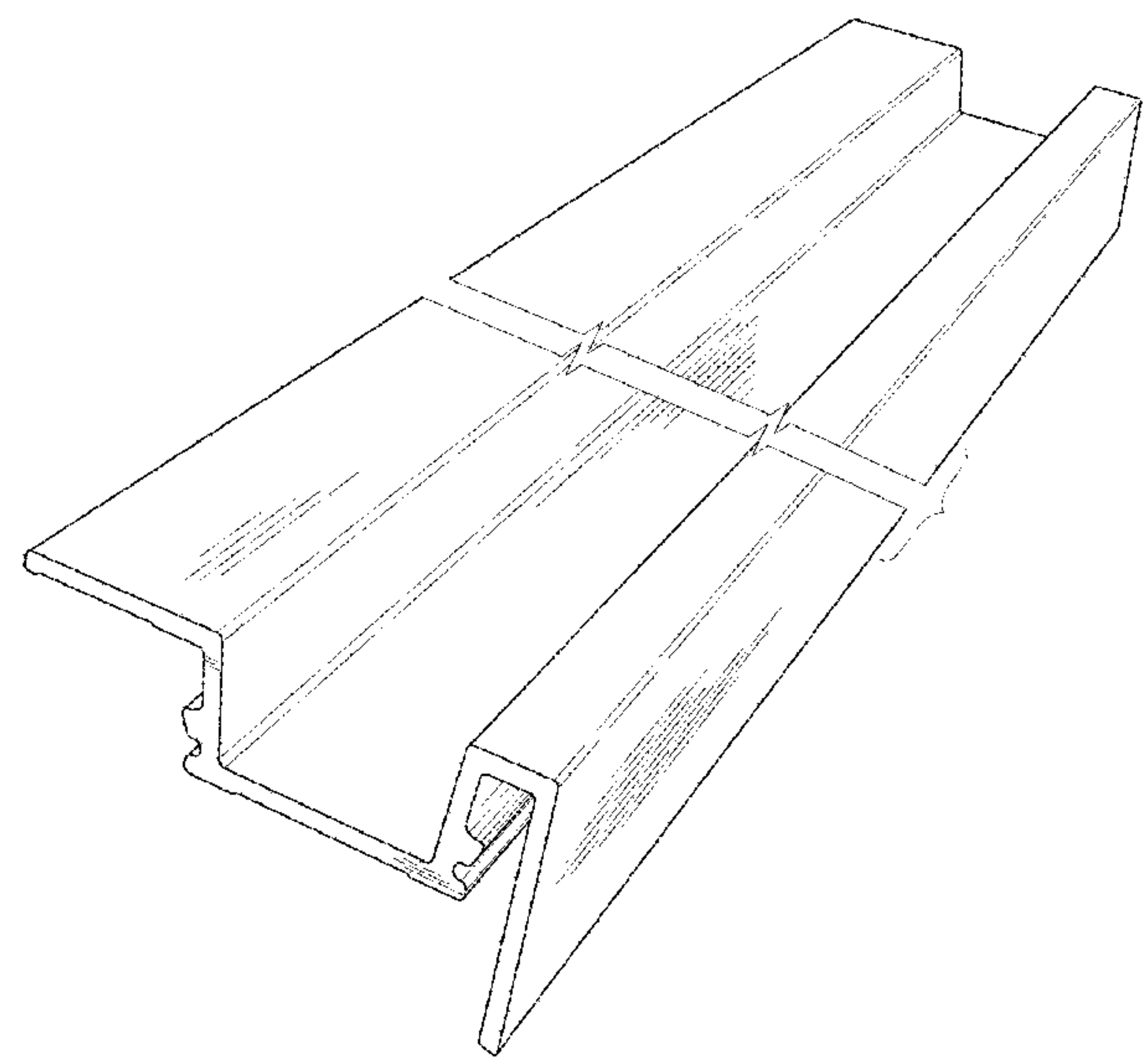
The ornamental design for a trim reveal extrusion, as shown and described.

DESCRIPTION

FIG. 1 is a perspective view of a trim reveal extrusion showing my new design.
FIG. 2 is a cross-sectional view thereof; and,
FIG. 3 is an end elevational view thereof, showing the trim reveal extrusion in an environment of use.
The broken lines in FIG. 3 illustrate environmental structure only and form no part of the claimed design. The trim reveal extrusion is shown with a symbolic break in its length. The appearance of any portion of the trim reveal extrusion between the jagged break lines forms no part of the claimed design.

1 Claim, 1 Drawing Sheet

(56) **References Cited**
U.S. PATENT DOCUMENTS
3,868,803 A * 3/1975 Bice E06B 9/02
D25/48.1
4,000,597 A * 1/1977 Burton E04F 19/02
52/716.1
D357,407 S * 4/1995 Pate D8/381
D441,876 S * 5/2001 Eaton D25/121
D443,368 S * 6/2001 Eaton D25/121
D554,775 S * 11/2007 Antonic D25/119
D582,569 S * 12/2008 Moreau D25/119



(56)

References Cited

U.S. PATENT DOCUMENTS

2012/0255249 A1* 10/2012 Singh E04F 19/061
52/302.1
2015/0082738 A1* 3/2015 Austin E04F 15/126
52/717.06

* cited by examiner

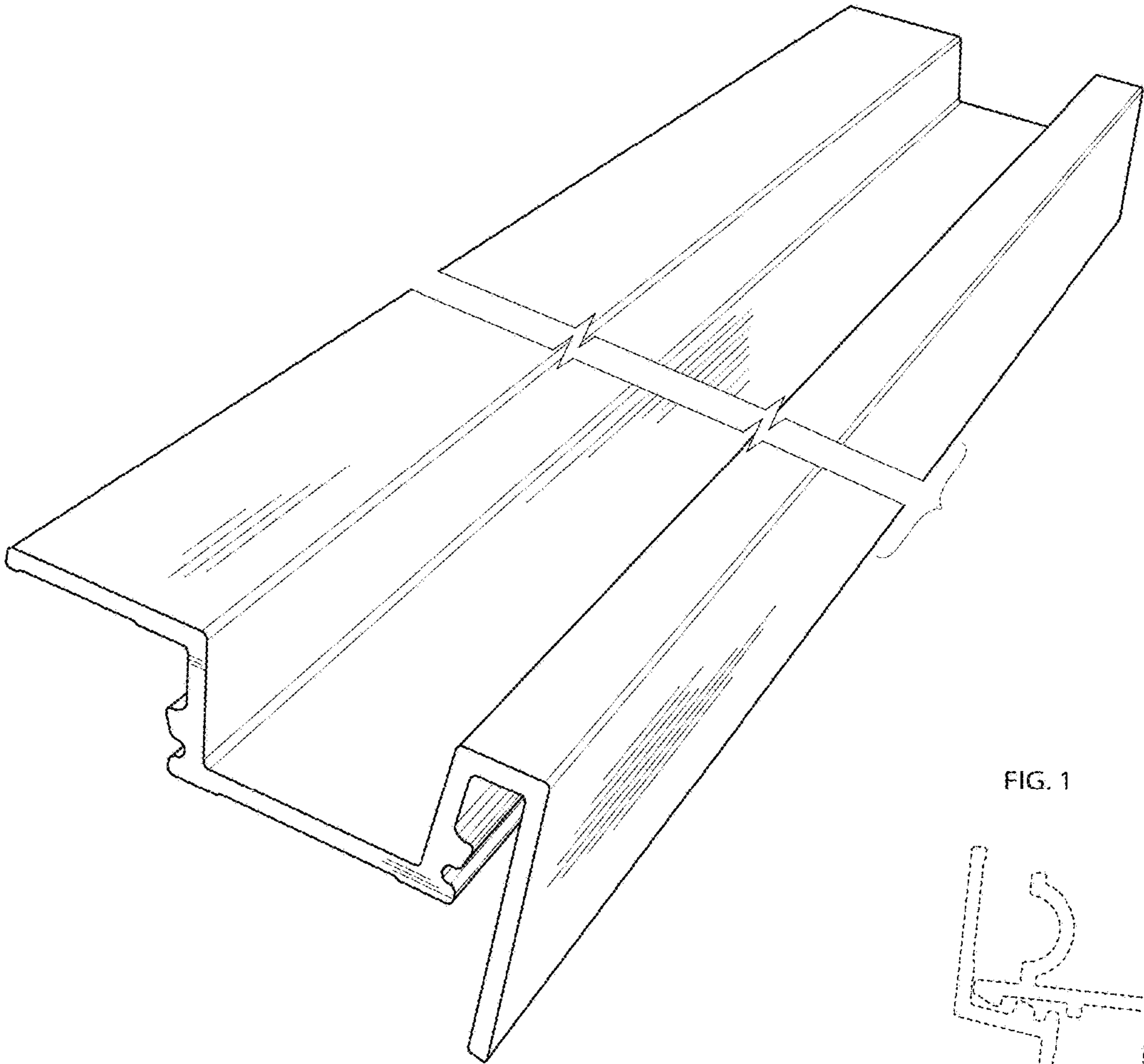


FIG. 1

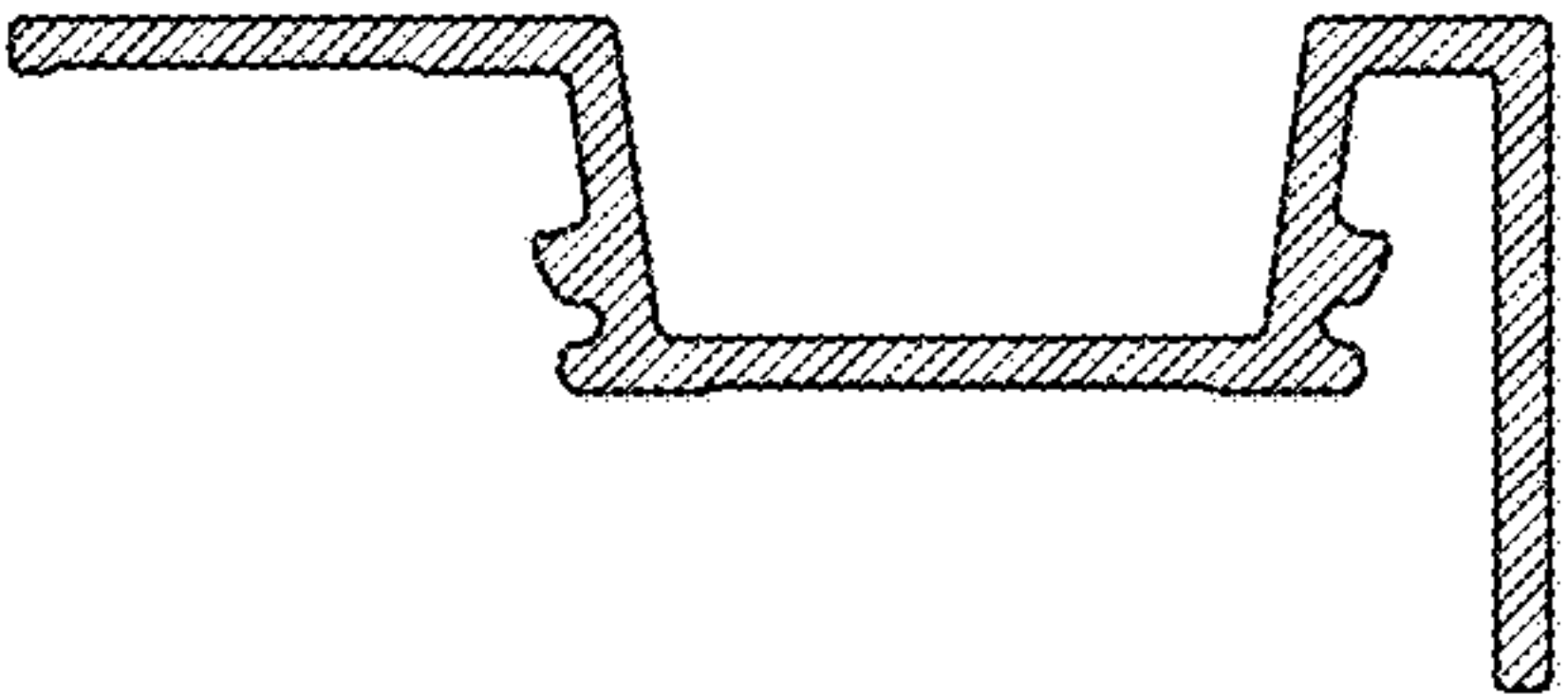


FIG. 2

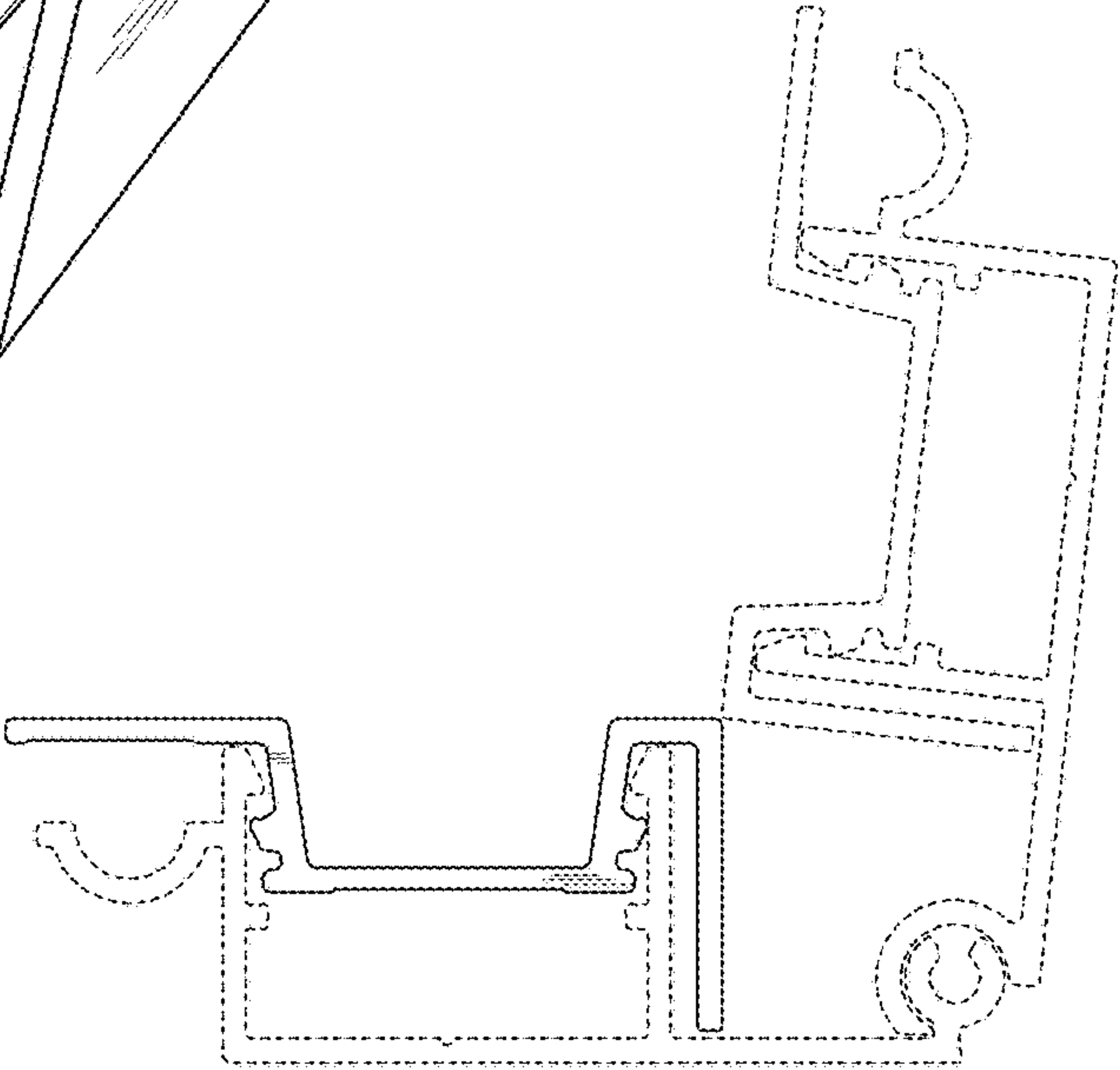


FIG. 3