



US00D794832S

(12) **United States Design Patent**
Gomes et al.

(10) **Patent No.:** **US D794,832 S**

(45) **Date of Patent:** **** Aug. 15, 2017**

(54) **BUILDING BLOCK**

(71) Applicant: **Board of Regents, The University of Texas System**, Austin, TX (US)

(72) Inventors: **Francisco Henning Gomes**, Austin, TX (US); **Dabney Staub Gomes**, Austin, TX (US)

(73) Assignee: **Board of Regents, The University of Texas System**, Austin, TX (US)

(**) Term: **15 Years**

(21) Appl. No.: **29/556,139**

(22) Filed: **Feb. 26, 2016**

(51) **LOC (10) Cl.** **25-01**

(52) **U.S. Cl.**
USPC **D25/114**

(58) **Field of Classification Search**
USPC D21/484-486; D25/102, 112-118;
52/503-505, 574, 575, 596, 600-605;
404/29, 30, 34, 37, 41, 42; 405/284, 286
(Continued)

(56) **References Cited**

U.S. PATENT DOCUMENTS

1,064,498 A 6/1913 Landis
1,485,007 A 2/1924 Zahn
(Continued)

FOREIGN PATENT DOCUMENTS

GB 882577 11/1961

OTHER PUBLICATIONS

Inglesby, Tom "Pass the Post, Please" Sep. 16, 2002, Mason Contractors Association of America, 4pp.
(Continued)

Primary Examiner — Susan Bennett Hattan

Assistant Examiner — Leanne Was-Englehart

(74) *Attorney, Agent, or Firm* — Meunier Carlin & Curfman LLC

(57) **CLAIM**

The ornamental design for a building block, as shown and described.

DESCRIPTION

FIG. 1 is a rear perspective view of a top surface of a building block showing our new design, according to one implementation.

FIG. 2 is a rear perspective view of a bottom surface of the building block in FIG. 1.

FIG. 3 is a front perspective view of the top surface of the building block in FIG. 1.

FIG. 4 is a front perspective view of the bottom surface of the building block in FIG. 1.

FIG. 5 is a top view of the building block in FIG. 1.

FIG. 6 is a bottom view of the building block in FIG. 1.

FIG. 7 is a front view of the building block in FIG. 1.

FIG. 8 is a rear view of the building block in FIG. 1.

FIG. 9 is a right side view of the building block in FIG. 1.

FIG. 10 is a left side view of the building block in FIG. 1.

FIG. 11 is a cross sectional view of the building block shown in FIG. 1 as taken through the 11-11 line.

FIG. 12 is a cross sectional view of the building block shown in FIG. 1 as taken through the 12-12 line.

FIG. 13 is a rear perspective view of a top surface of a building block showing our new design, according to another implementation.

FIG. 14 is a rear perspective view of a bottom surface of the building block in FIG. 13.

FIG. 15 is a front perspective view of the bottom surface of the building block in FIG. 13.

FIG. 16 is a front perspective view of the top surface of the building block in FIG. 13.

FIG. 17 is a top view of the building block in FIG. 13.

FIG. 18 is a bottom view of the building block in FIG. 13.

FIG. 19 is a front view of the building block in FIG. 13.

FIG. 20 is a rear view of the building block in FIG. 13.

FIG. 21 is a right side view of the building block in FIG. 13.

FIG. 22 is a left side view of the building block in FIG. 13.

(Continued)

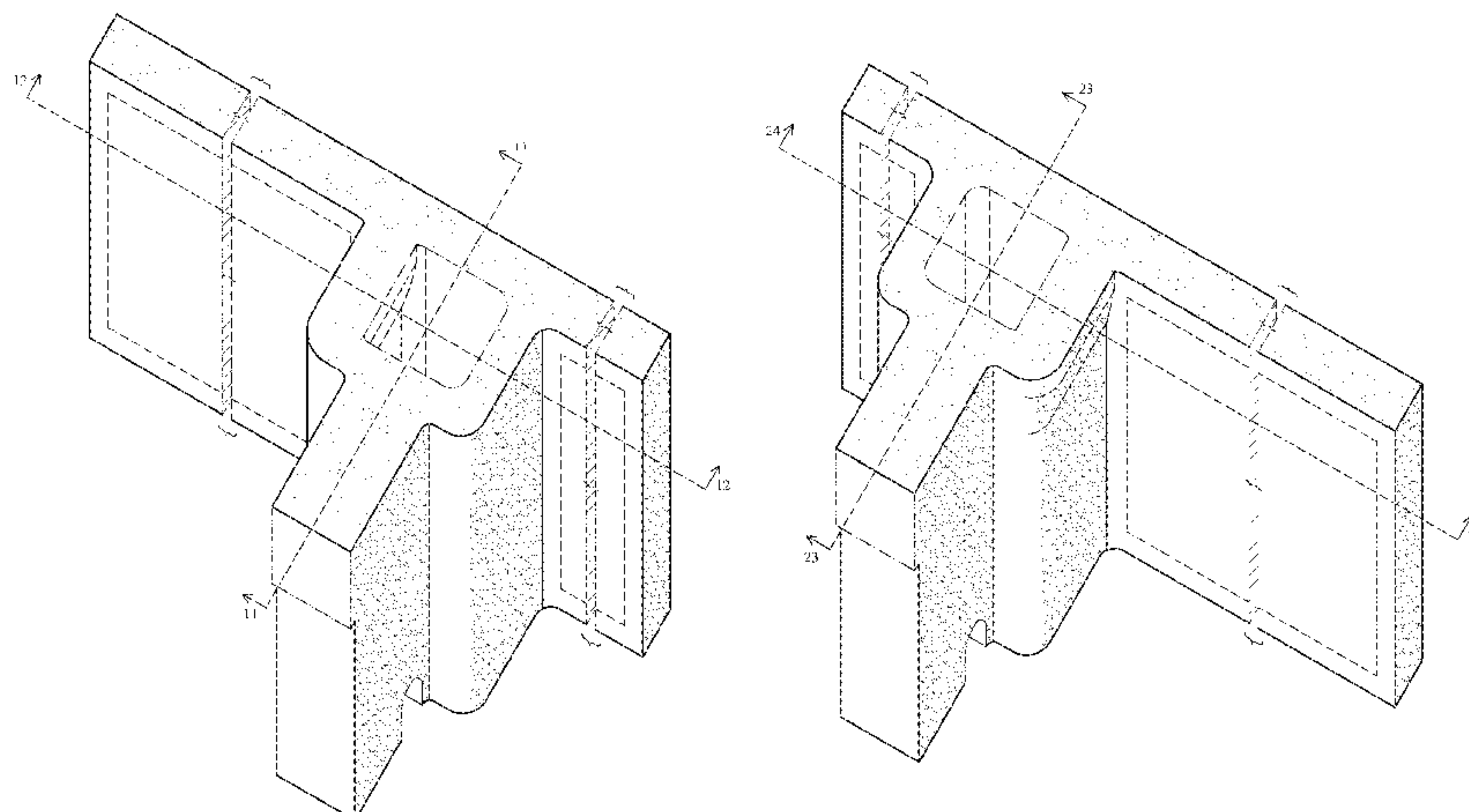


FIG. 23 is a cross sectional view of the building block shown in FIG. 13 as taken through the 23-23 line.

FIG. 24 is a cross sectional view of the building block shown in FIG. 13 as taken through the 24-24 line.

FIG. 25 is a rear perspective view of the building block of FIG. 1 shown in an assembled wall having a plurality of building blocks; and,

FIG. 26 is a front perspective view of the building block of FIG. 1 shown in the assembled wall shown in FIG. 25.

The break lines depict the boundaries of the claim. The area between the break lines forms no part of the claimed design.

The broken lines, consisting of only short dashes and showing the remaining portions of the building block and its environment, form no part of the claimed design.

The broken lines consisting of dot-dot-dash are boundary lines that show that the claimed design extends to the boundary line.

1 Claim, 18 Drawing Sheets

(58) **Field of Classification Search**

CPC . E04B 1/043; E04C 1/40; E04C 1/395; E02D 29/02

See application file for complete search history.

(56) **References Cited**

U.S. PATENT DOCUMENTS

1,675,093	A	6/1928	Patrick	
2,008,775	A	7/1935	Staman	
2,684,589	A	7/1954	Perretton	
2,881,613	A	4/1959	Johnson et al.	
2,929,236	A	3/1960	Steward et al.	
3,222,830	A	12/1965	Ivany	
3,233,380	A	2/1966	Rosenfeld	
3,562,988	A	2/1971	Gregoire	
3,968,615	A	7/1976	Ivany	
4,123,881	A	11/1978	Muse	
4,167,843	A	9/1979	Kampman et al.	
4,640,071	A	2/1987	Haener	
4,655,018	A	4/1987	Pardo	
4,704,832	A *	11/1987	Vassiliadis	E04B 2/22 52/279
4,707,832	A	11/1987	Glenn et al.	
4,986,049	A	1/1991	Kennedy et al.	
5,007,218	A	4/1991	Bengtson et al.	
5,066,440	A	11/1991	Kennedy et al.	

5,138,808	A	8/1992	Bengtson et al.	
5,163,261	A *	11/1992	O'Neill	B28B 7/0079 405/284
5,209,037	A	5/1993	Kennedy et al.	
5,321,926	A	6/1994	Kennedy	
5,528,874	A	6/1996	Schmid	
5,901,520	A	5/1999	Abdul-Baki	
6,065,265	A	5/2000	Stenekes	
6,082,067	A	7/2000	Bott	
6,223,493	B1	5/2001	Ruggeri	
6,250,038	B1 *	6/2001	Akamine	E02D 29/02 52/421
6,513,293	B2	2/2003	Miller	
6,735,915	B1	5/2004	Johnson	
6,978,581	B1	12/2005	Spakousky	
7,086,811	B2	8/2006	Lewis	
7,096,636	B1	8/2006	Neill et al.	
D530,832	S *	10/2006	Rainey	D25/114
D574,517	S	8/2008	Foster	
7,497,646	B2	3/2009	Price	
7,739,841	B1	6/2010	Puckett	
7,739,845	B2	6/2010	Kennedy	
D626,662	S *	11/2010	Bott	D25/113
7,823,360	B1	11/2010	Cottle	
D632,805	S *	2/2011	Bott	D25/113
D636,897	S *	4/2011	Bott	D25/113
8,266,855	B1	9/2012	Altararwah	
8,800,235	B2 *	8/2014	LaCroix	B28B 3/021 405/284
9,476,200	B2 *	10/2016	Gomes	E04B 2/22
2006/0059839	A1	3/2006	Azar	
2006/0150559	A1	7/2006	Haener	
2010/0018150	A1	1/2010	Azar	
2010/0043335	A1	2/2010	O'Connor	
2012/0167516	A1	7/2012	Dyson	
2015/0052837	A1 *	2/2015	Gomes	E04B 2/22 52/405.3

OTHER PUBLICATIONS

National Concrete Masonry Association, "NCMA TEK 3-14", Construction (2002).

National Concrete Masonry Association, "NCMA Tek 14-20A", Construction (2002).

Ostag, William peter "Post-Tensioned Single Wythe Concrete Masonry Walls" May 1986, A Thesis in Architectural Engineering, The Pennsylvania State University, The Graduate School, Department of Architectural Engineering.

Co-pending U.S. Appl. No. 14/465,421, filed Aug. 21, 2014 and its file history.

* cited by examiner

FIG. 1

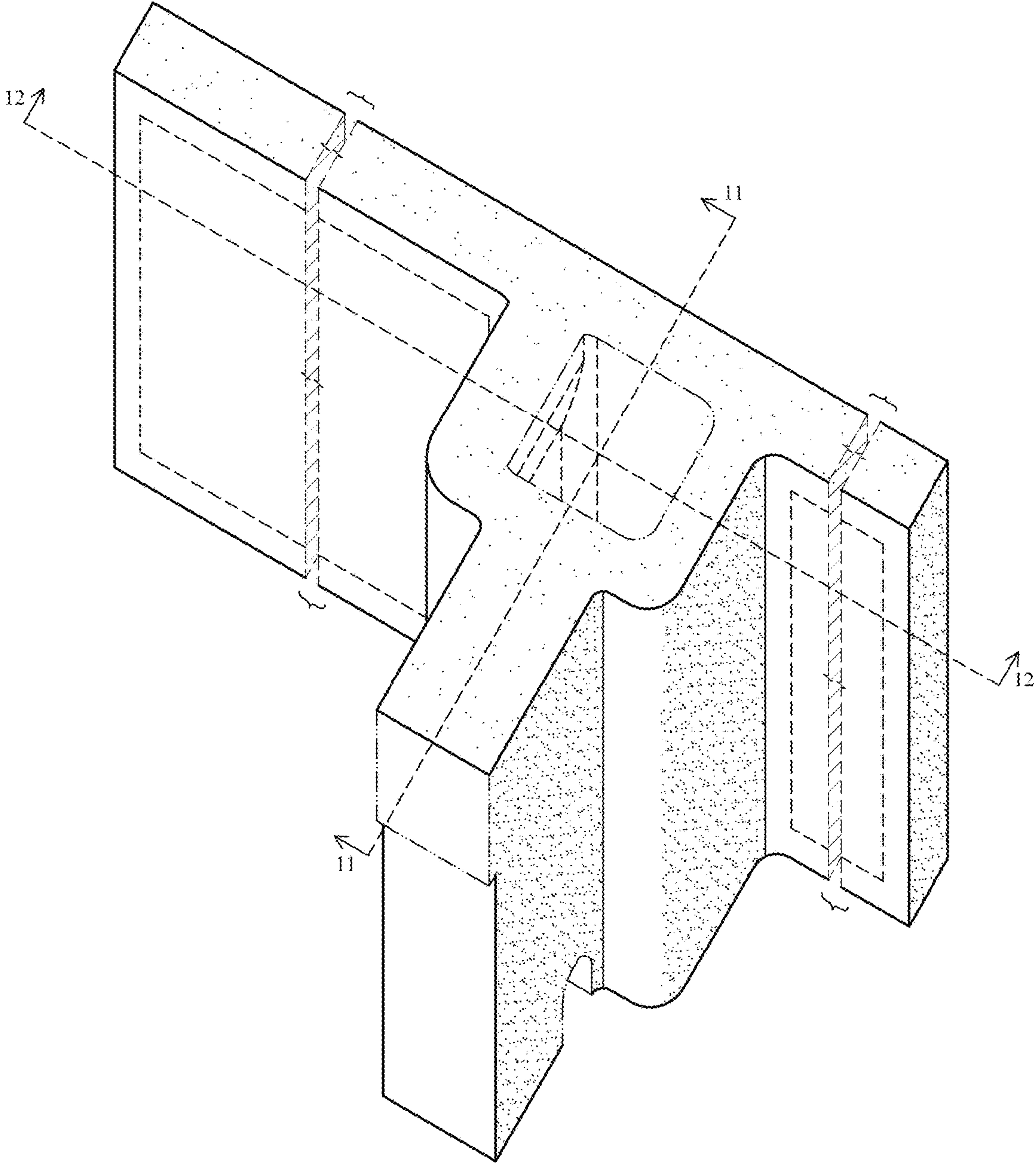


FIG. 2

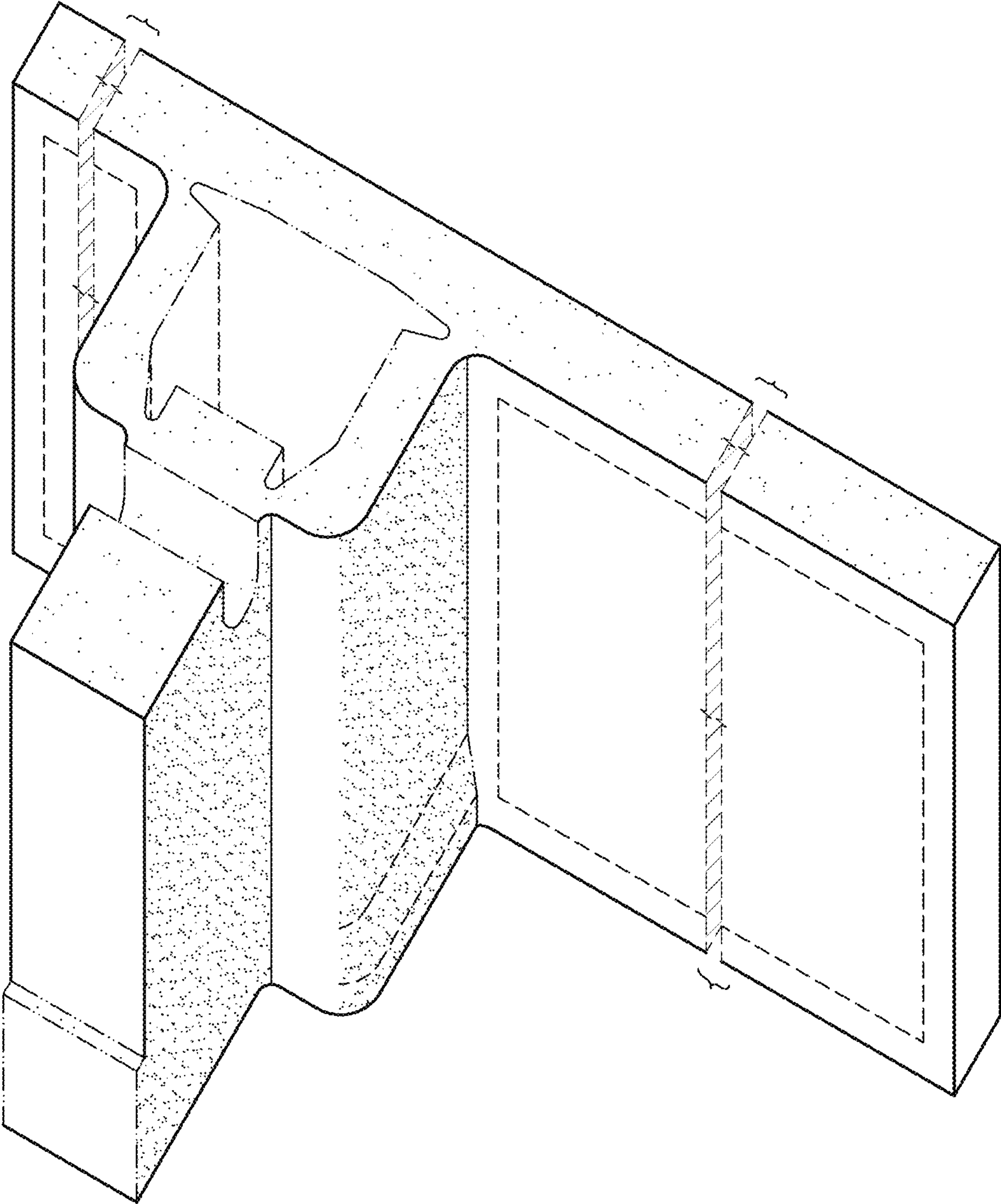


FIG. 3

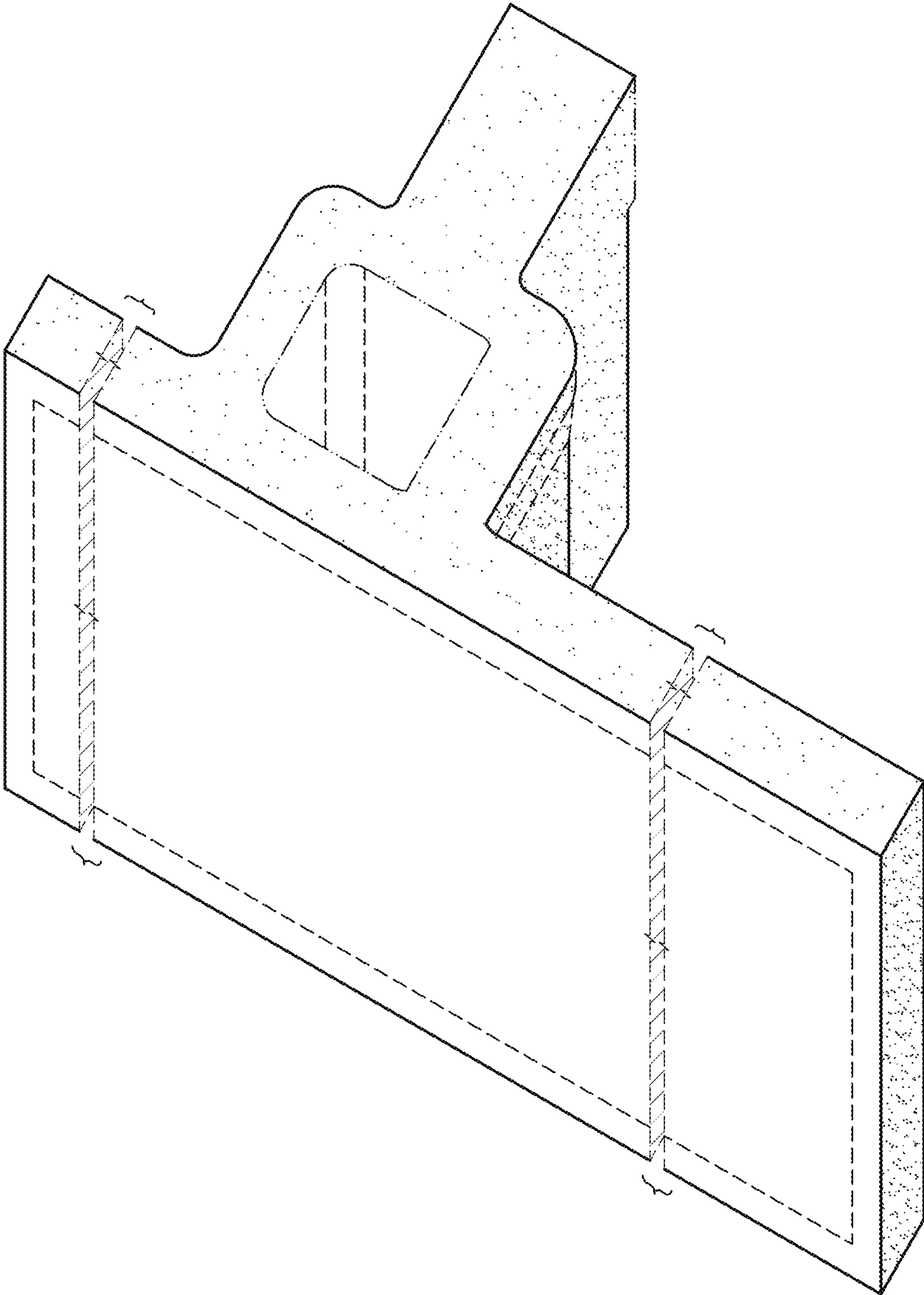


FIG. 4

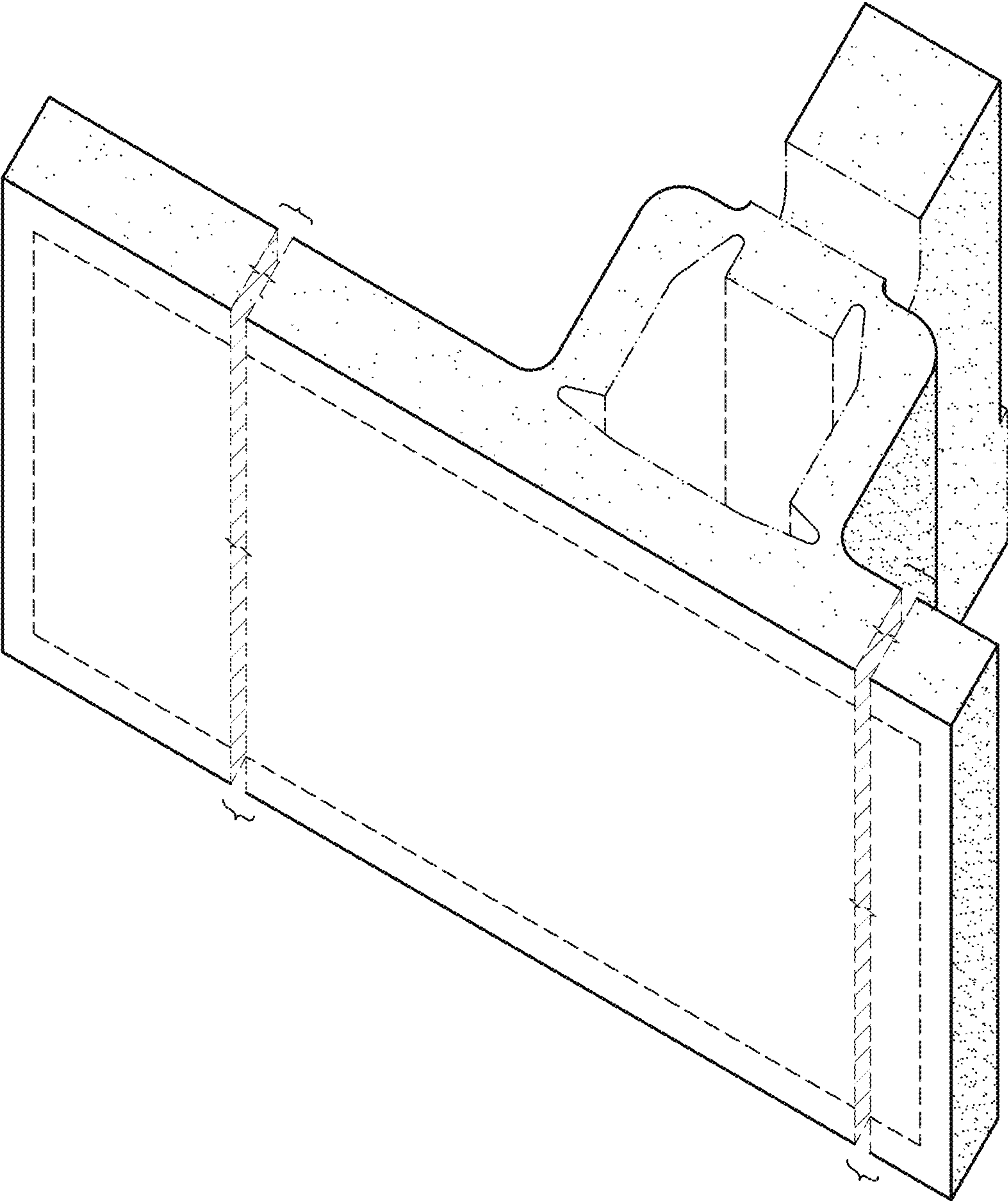


FIG. 5

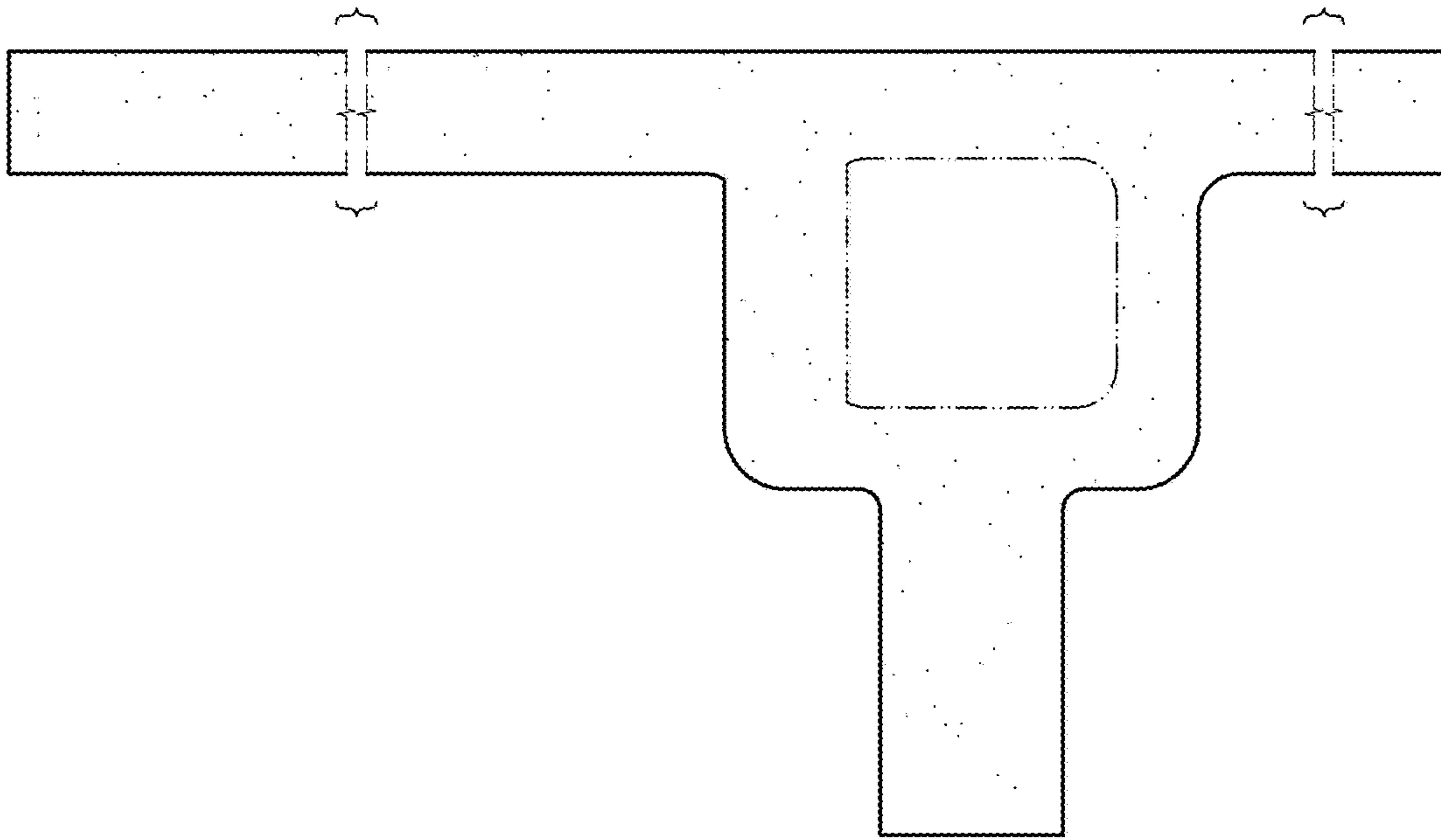


FIG. 6

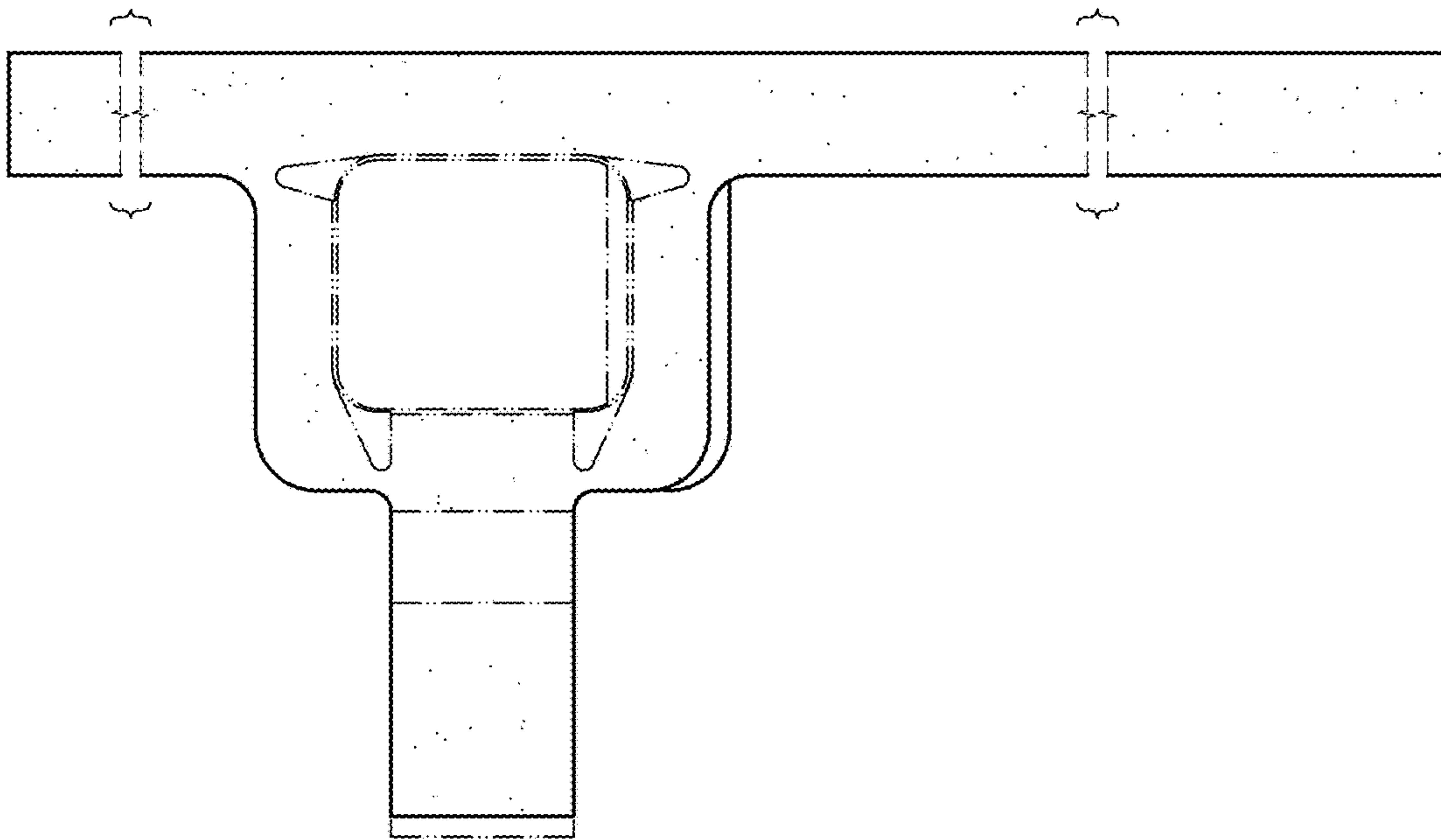


FIG. 7

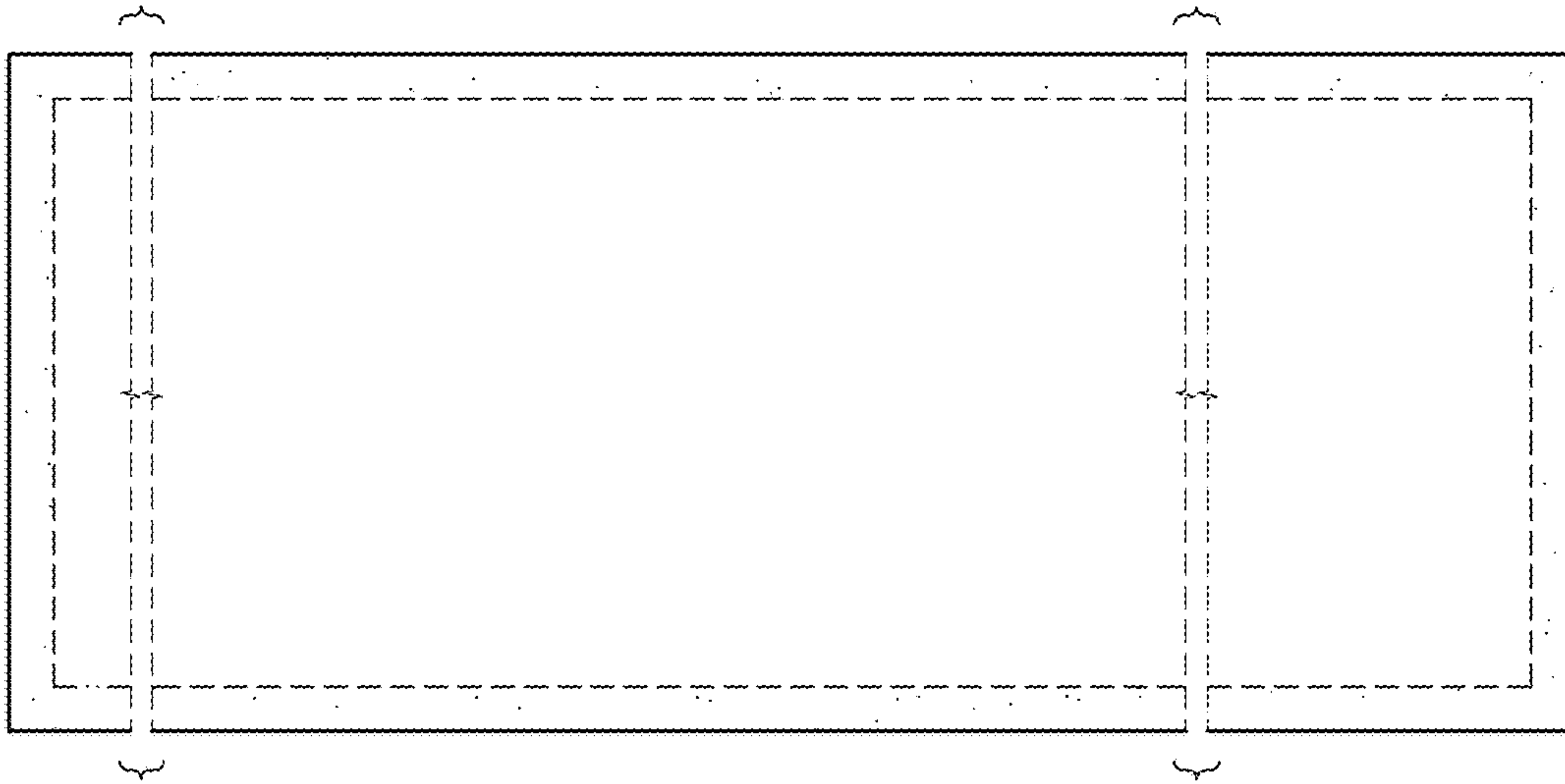


FIG. 8

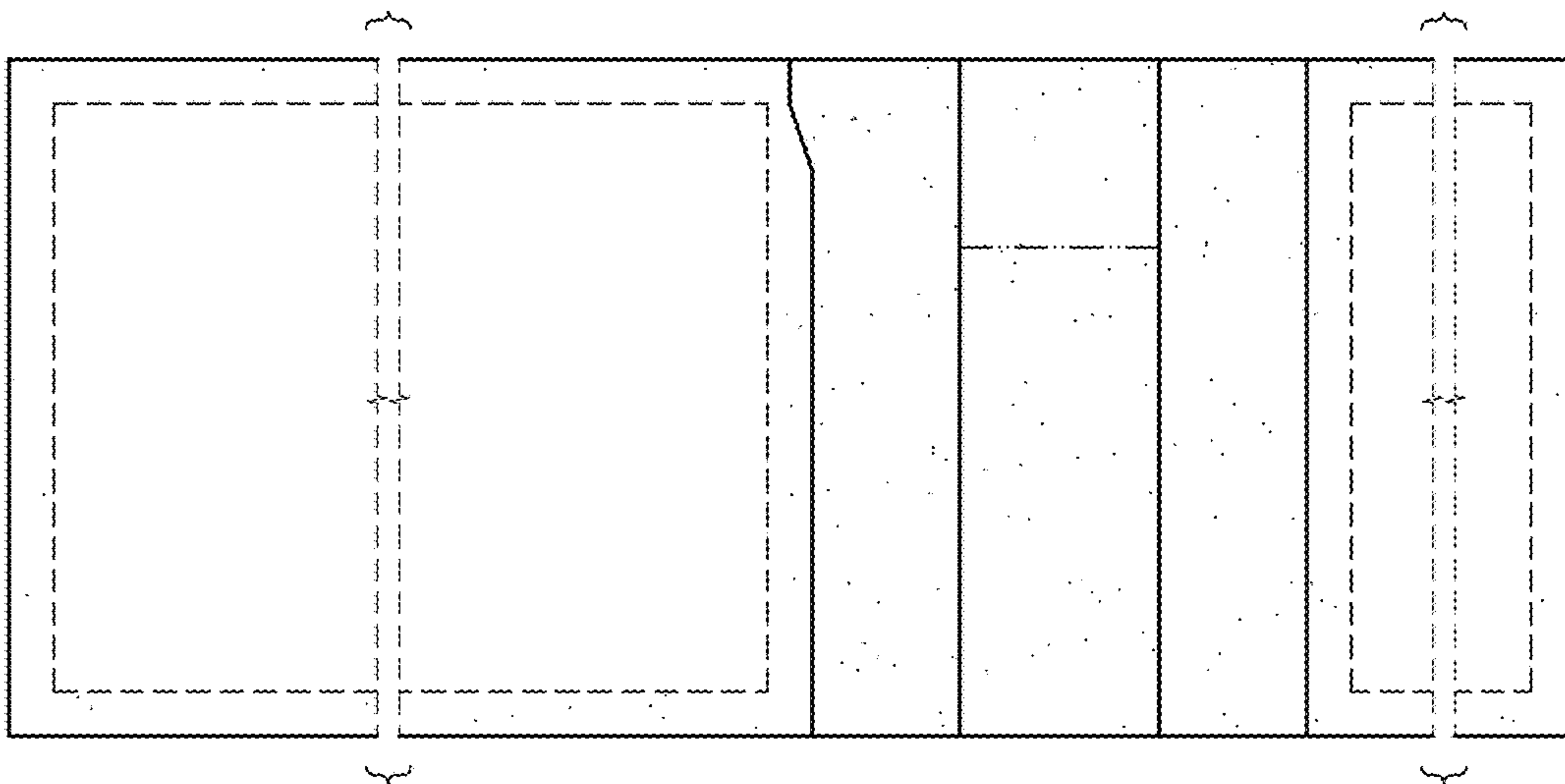


FIG. 9

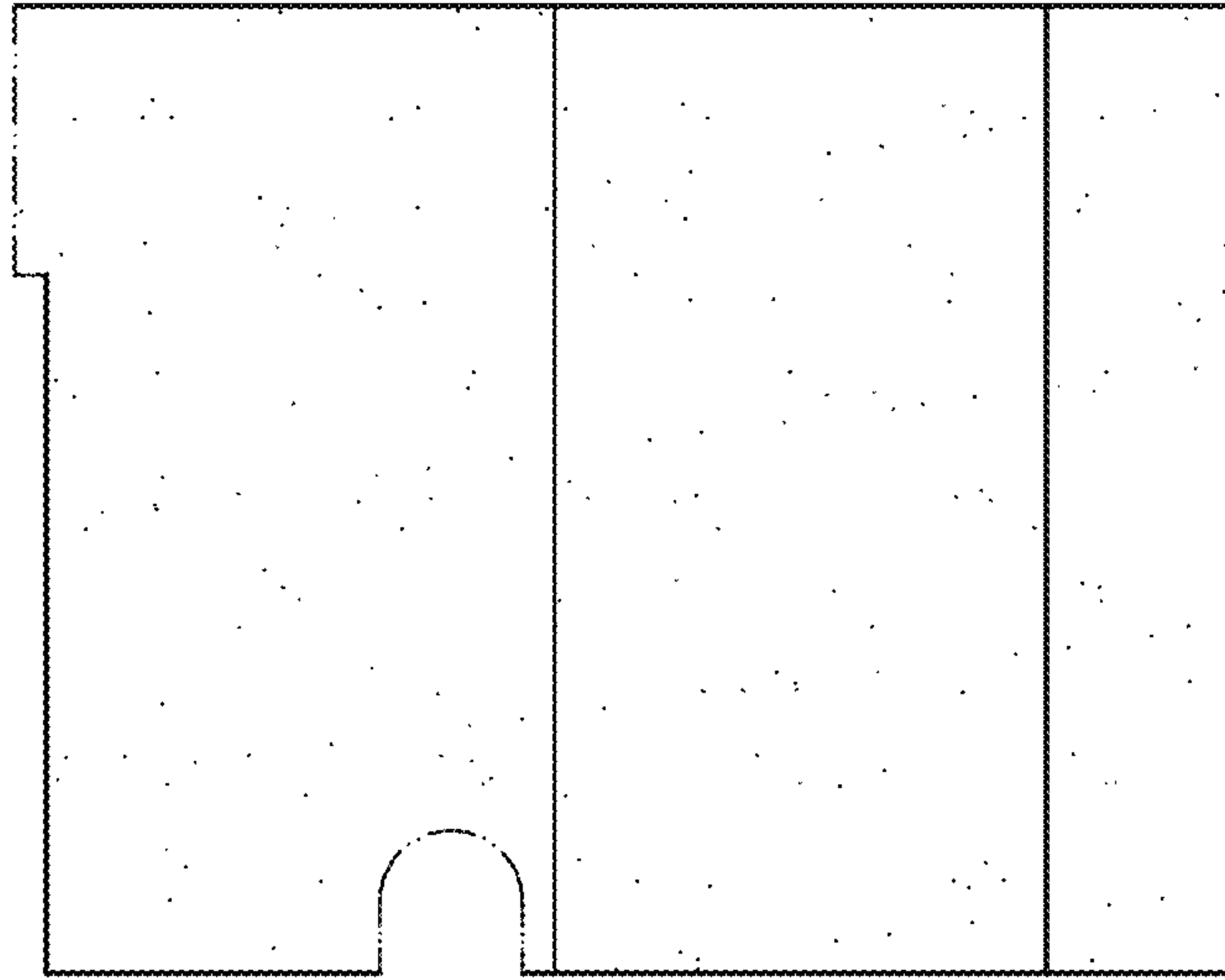


FIG. 10

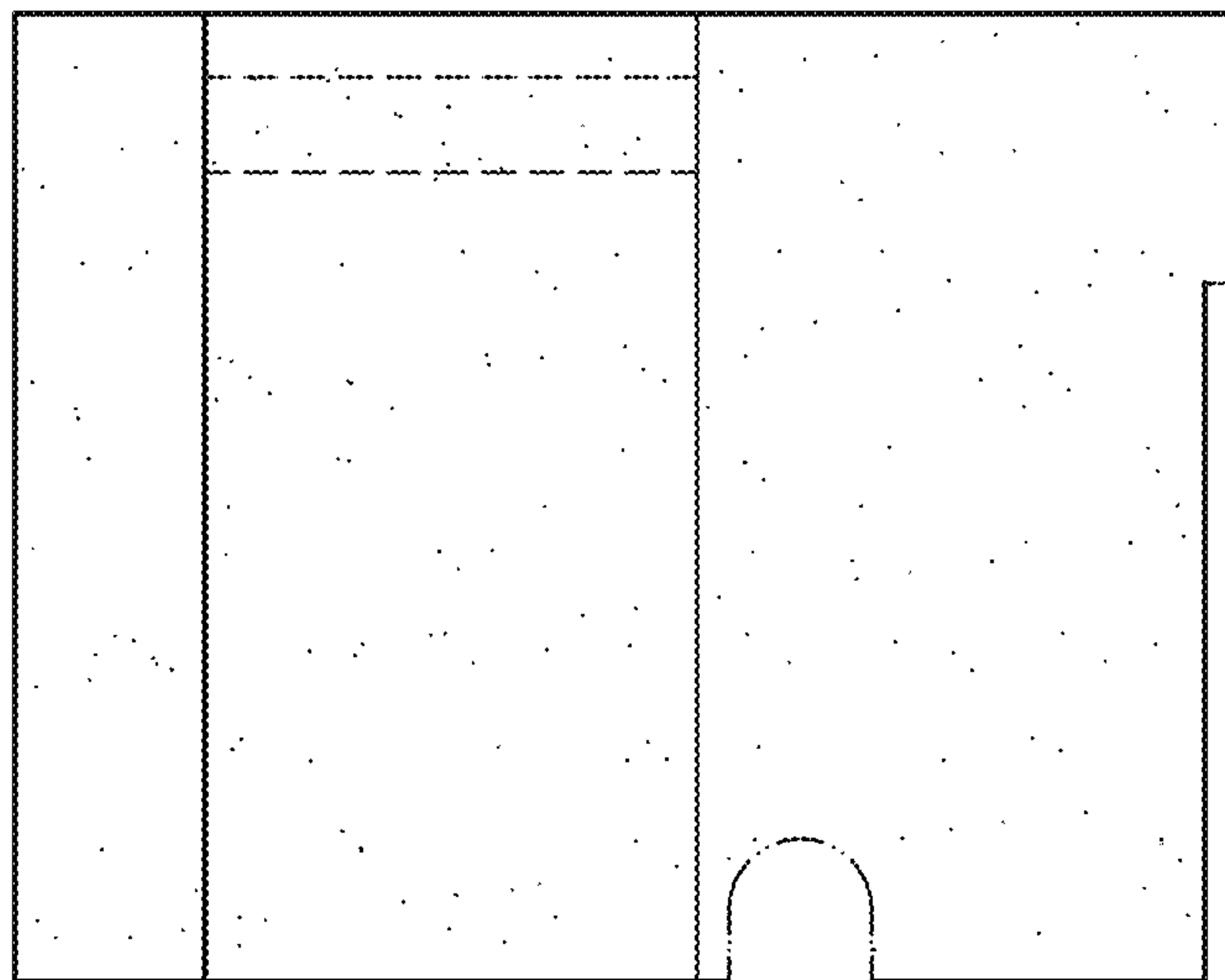


FIG. 11

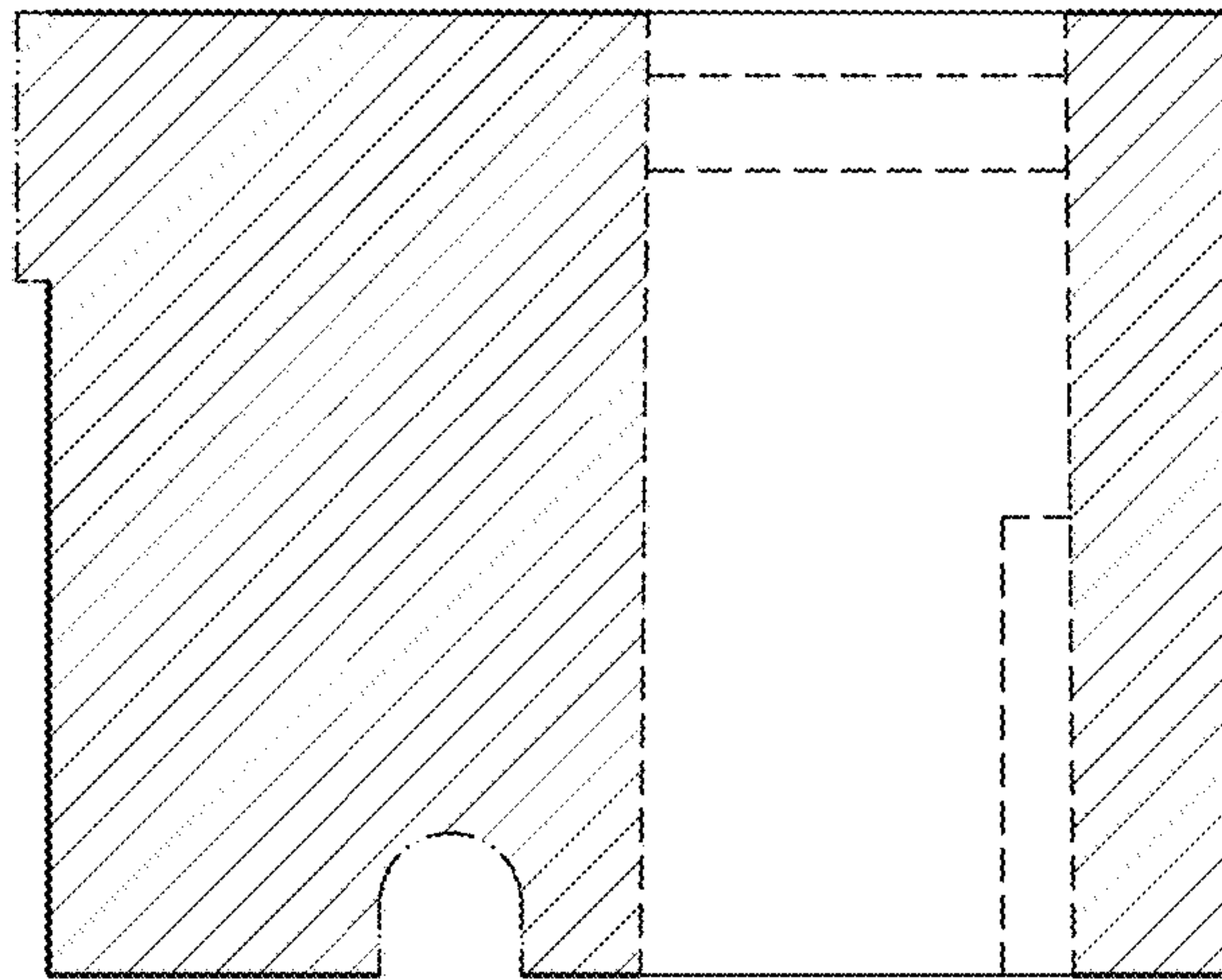


FIG. 12

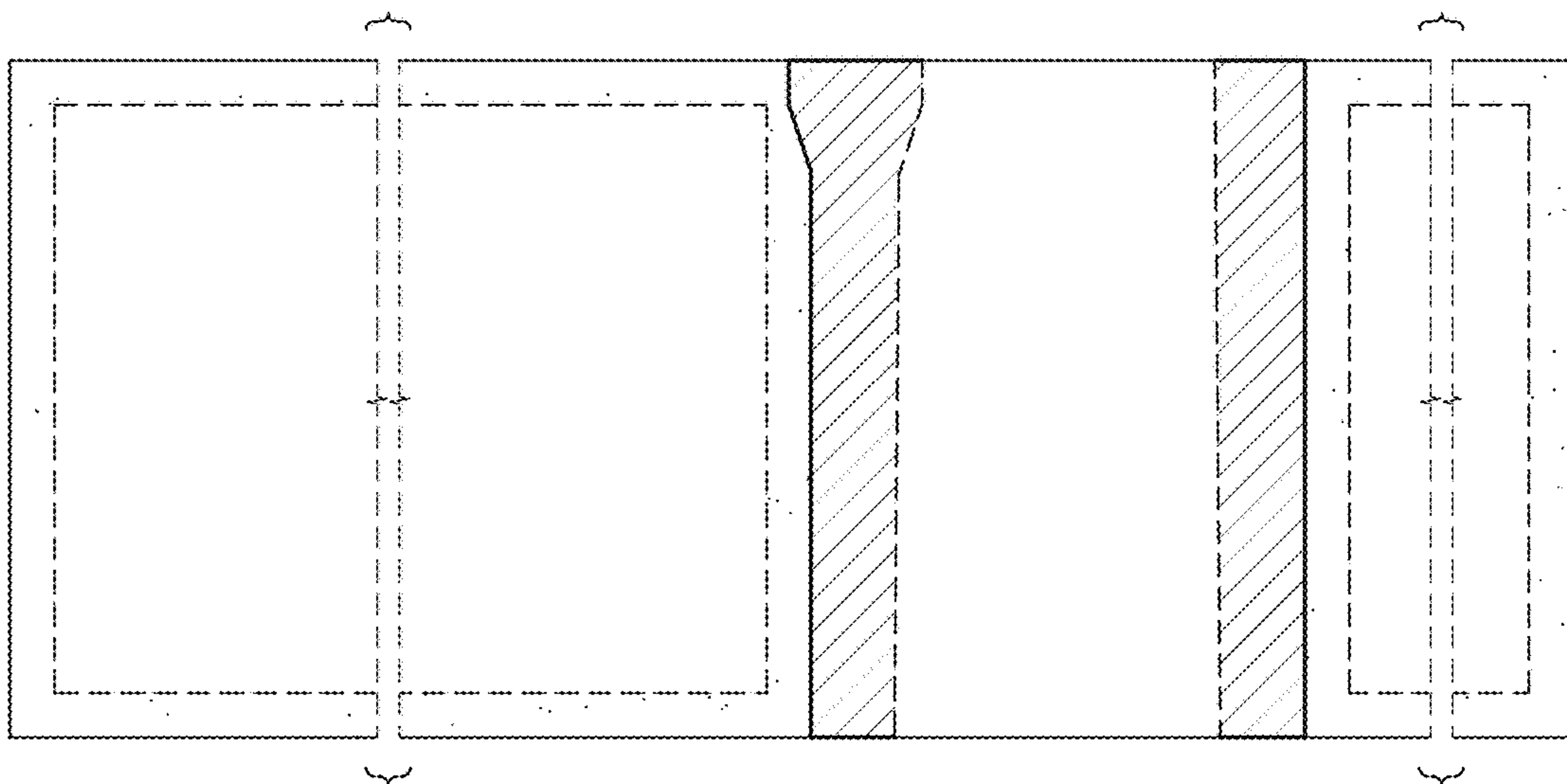


FIG. 13

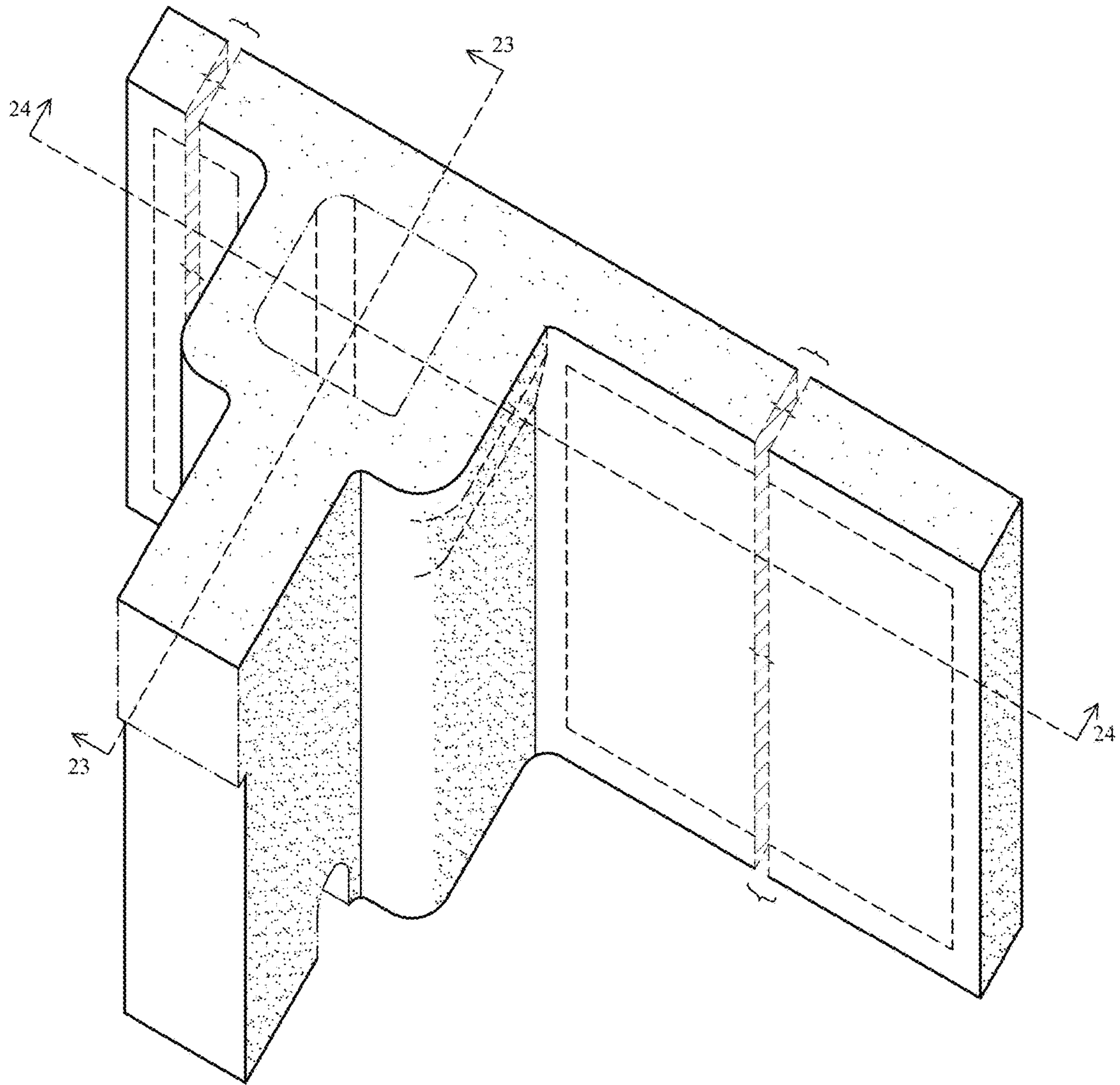


FIG. 14

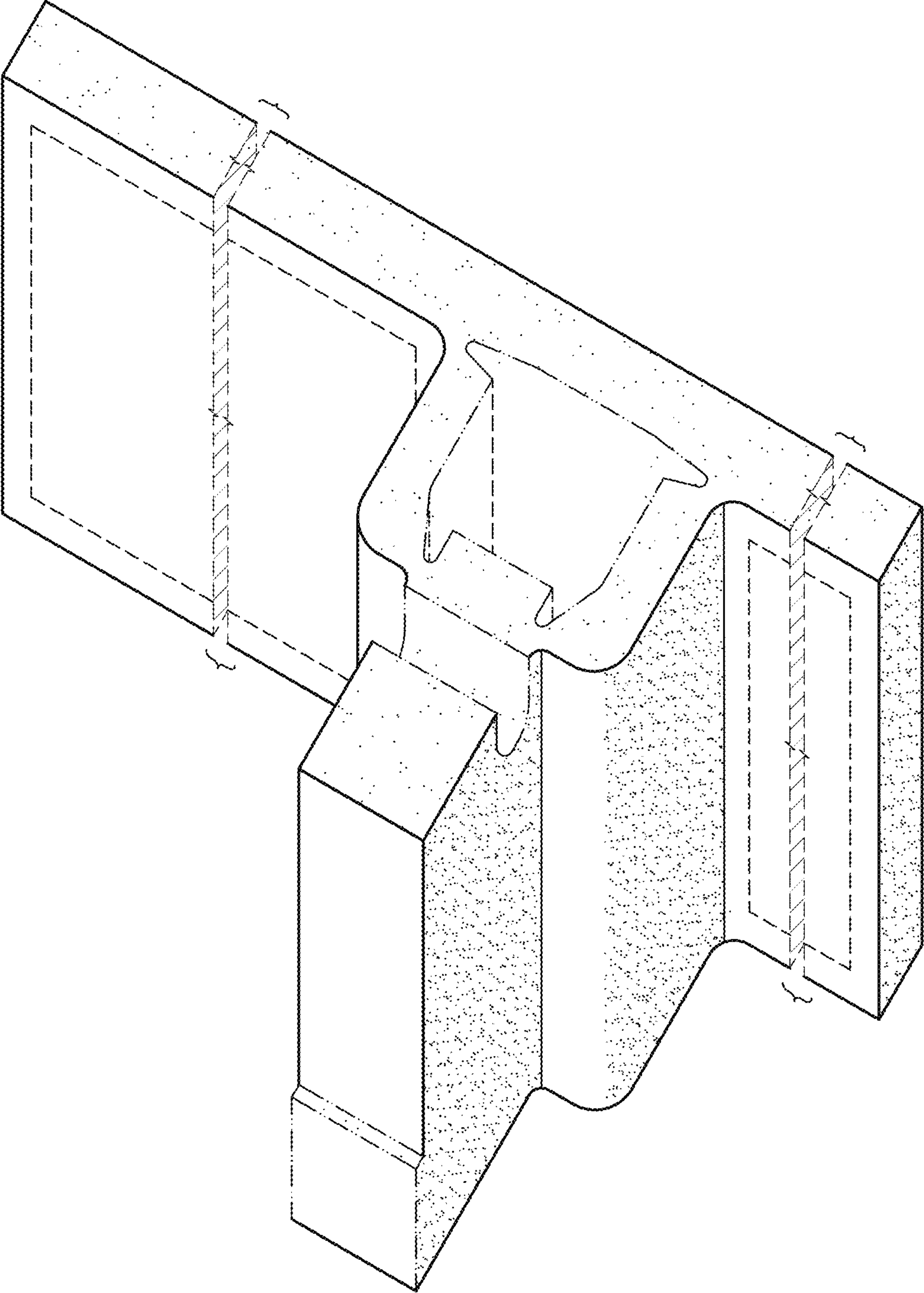


FIG. 15

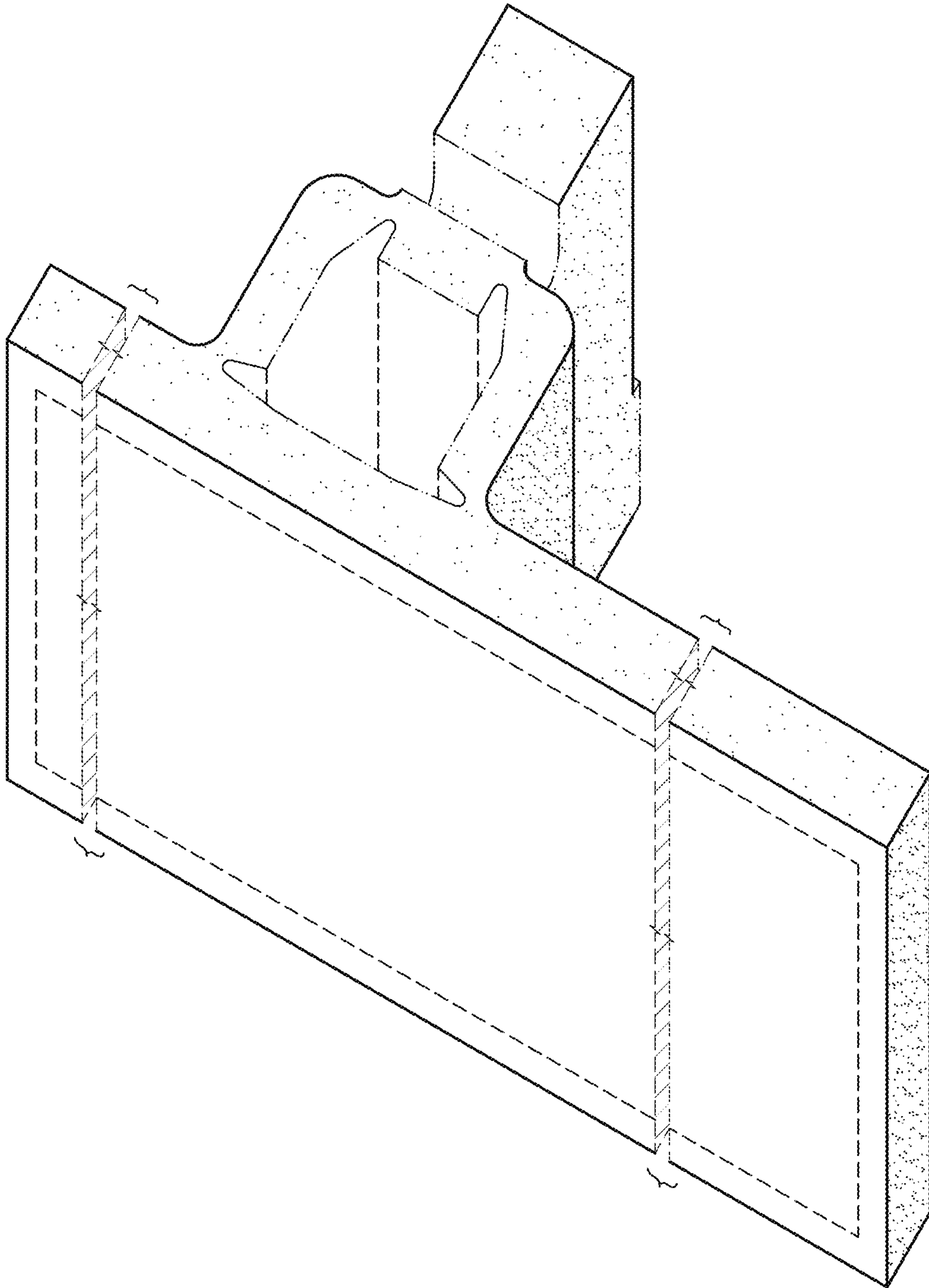


FIG. 16

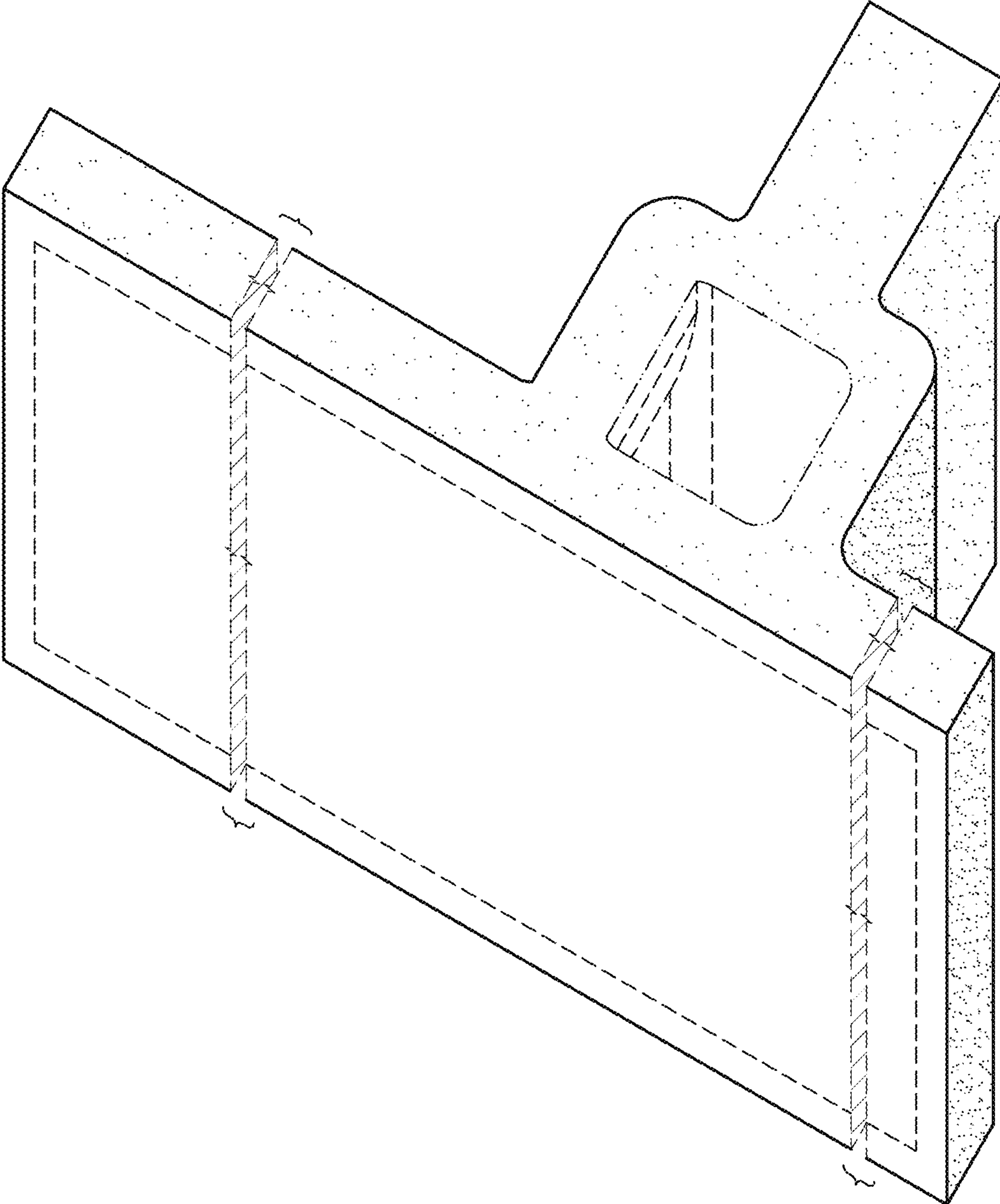


FIG. 17

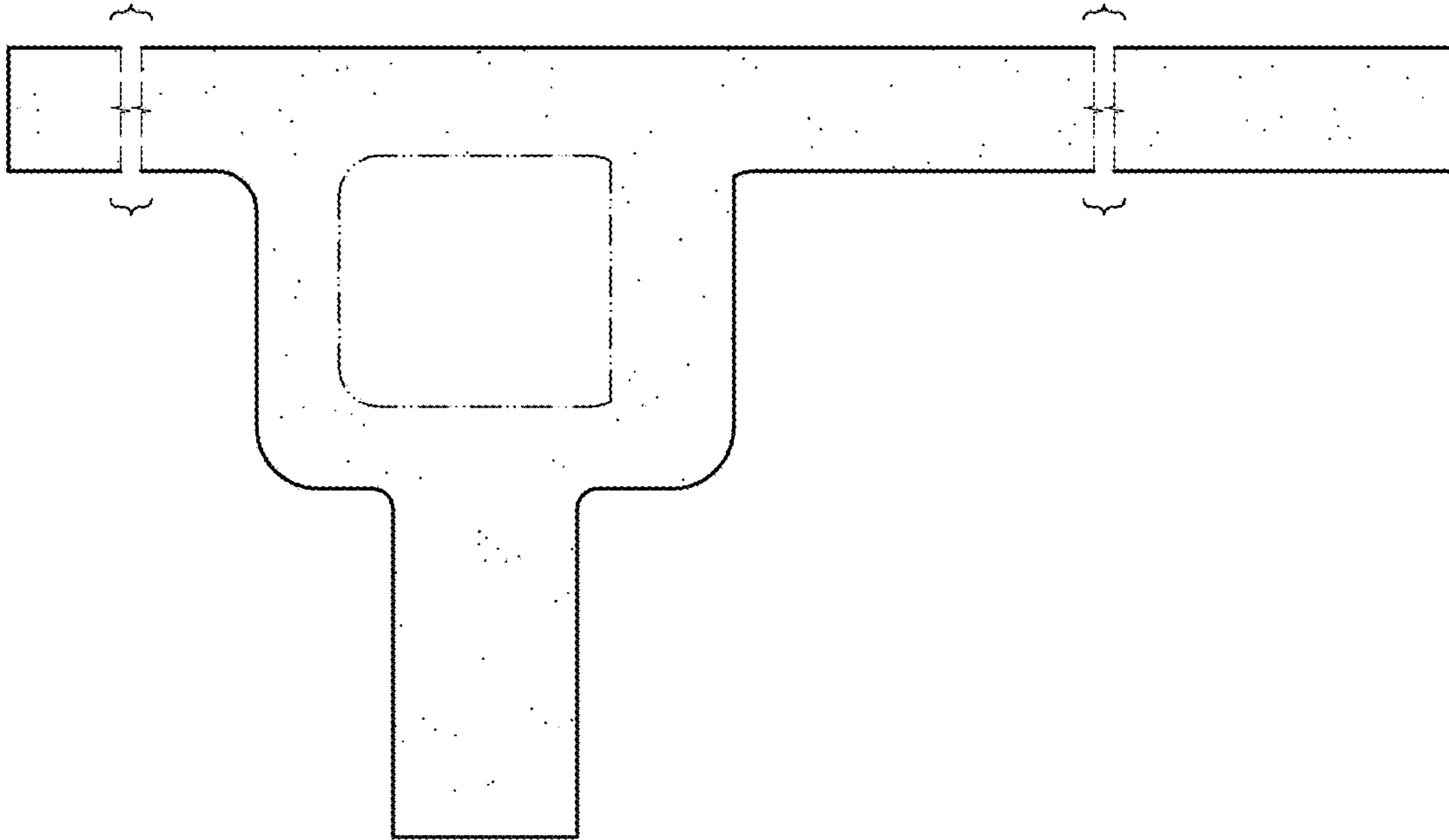


FIG. 18

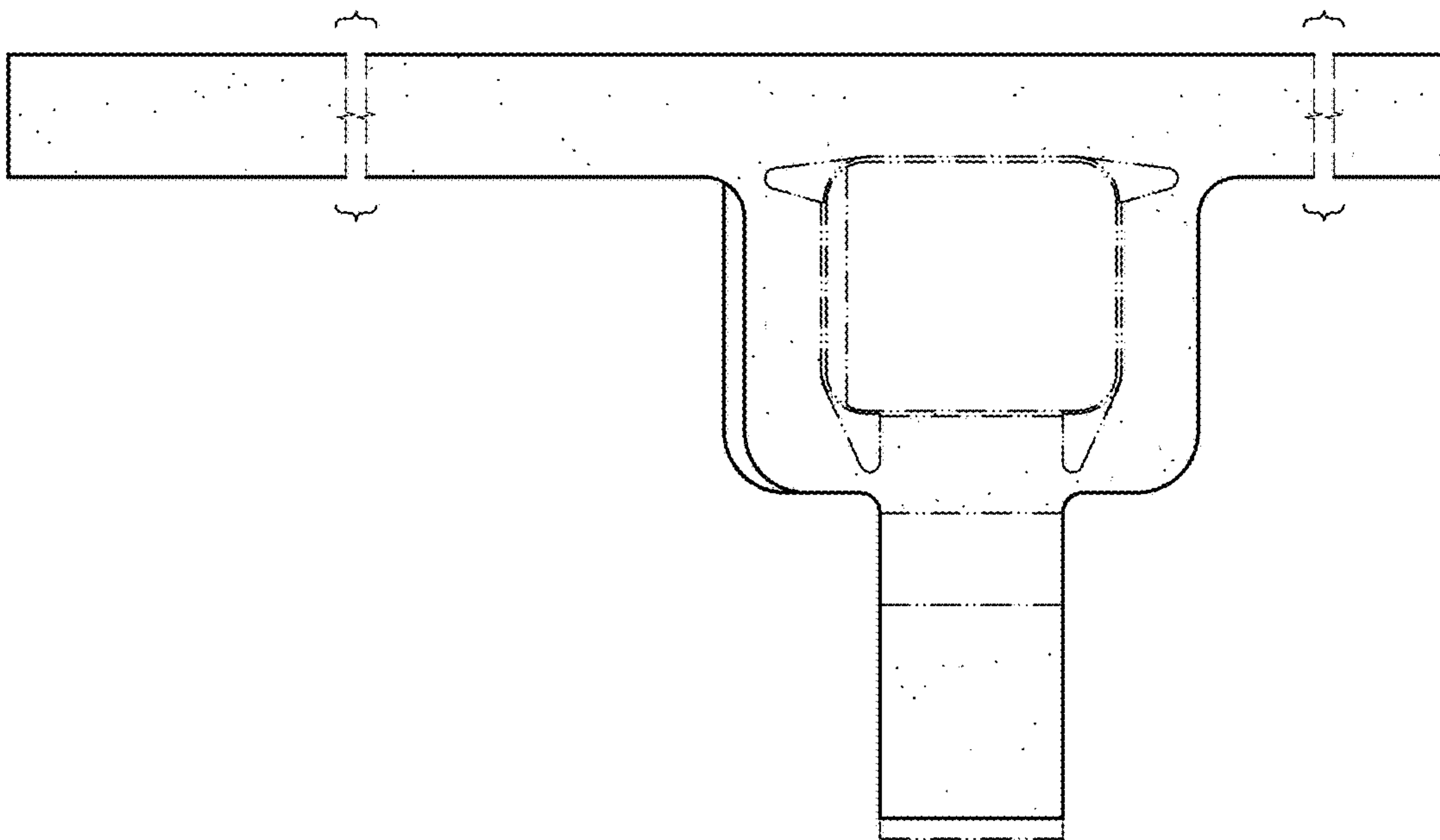


FIG. 19

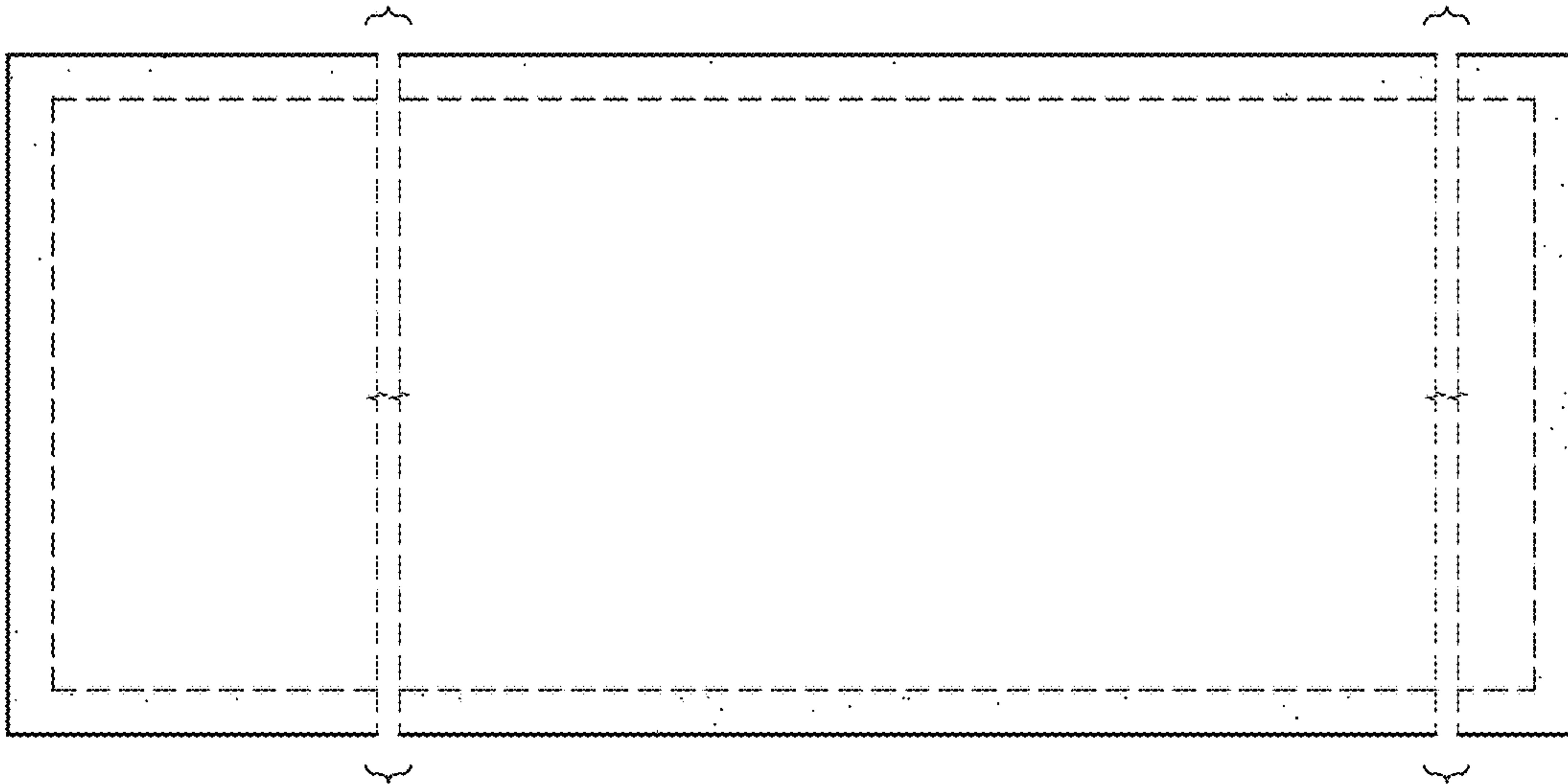


FIG. 20

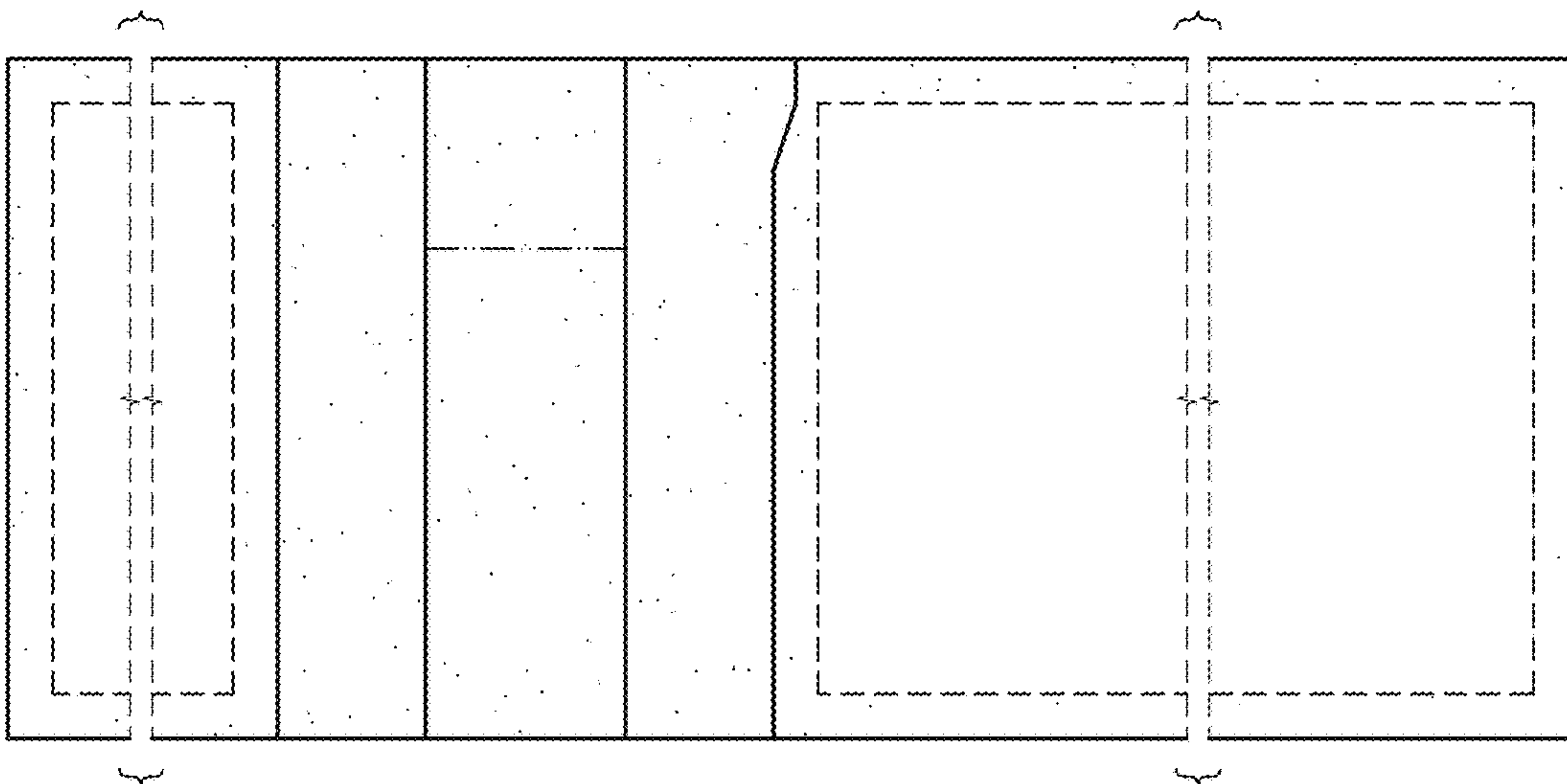


FIG. 21

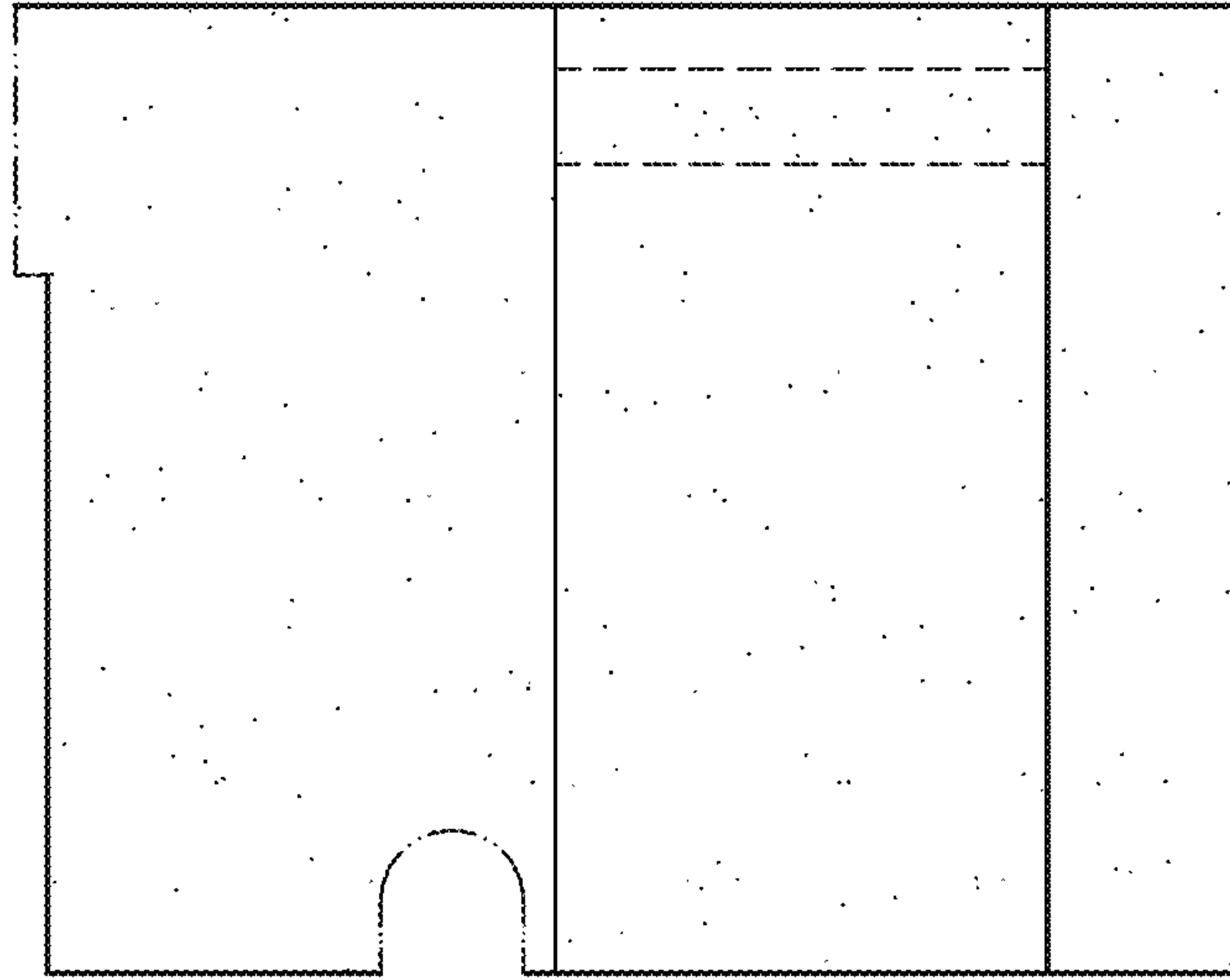


FIG. 22

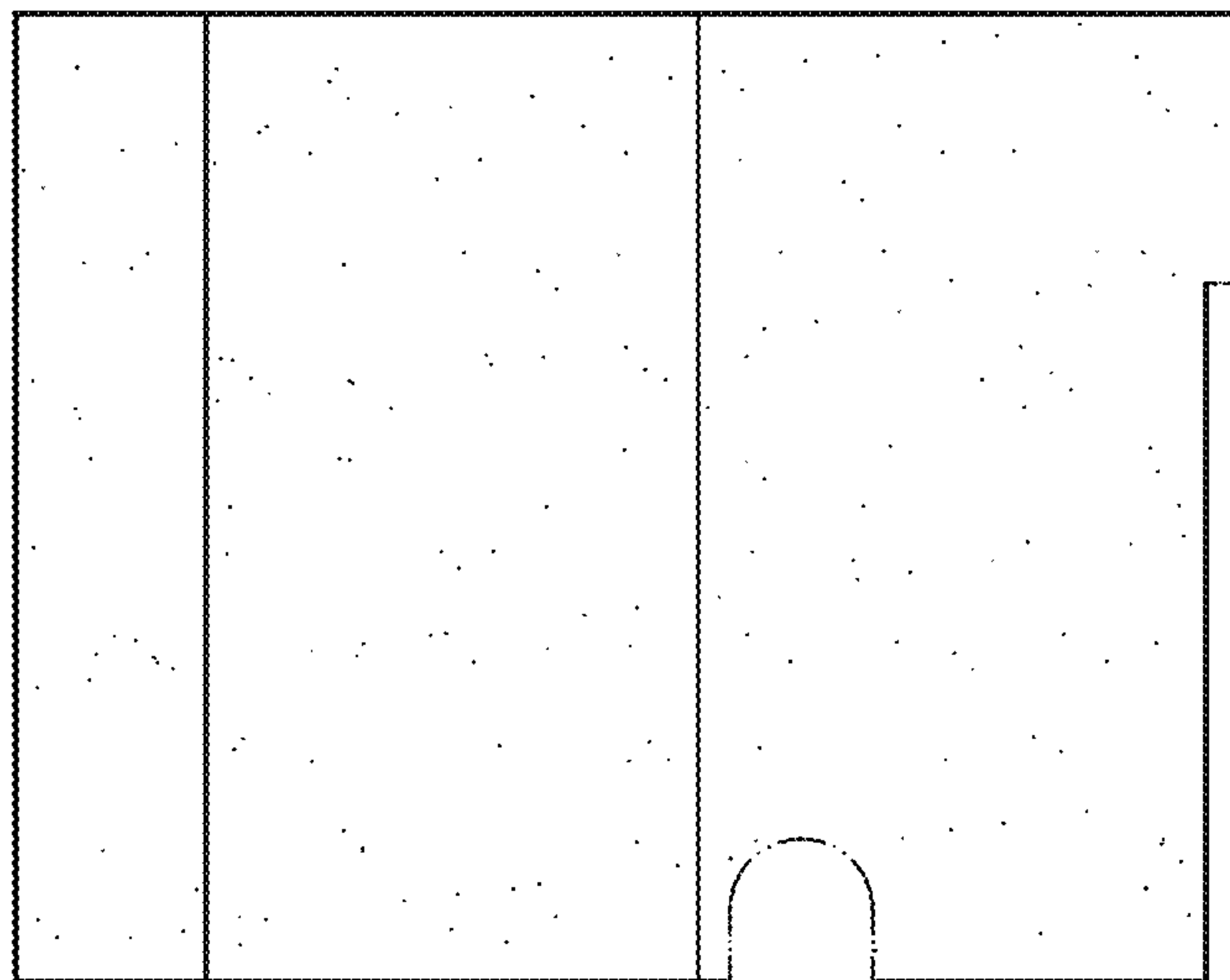


FIG. 23

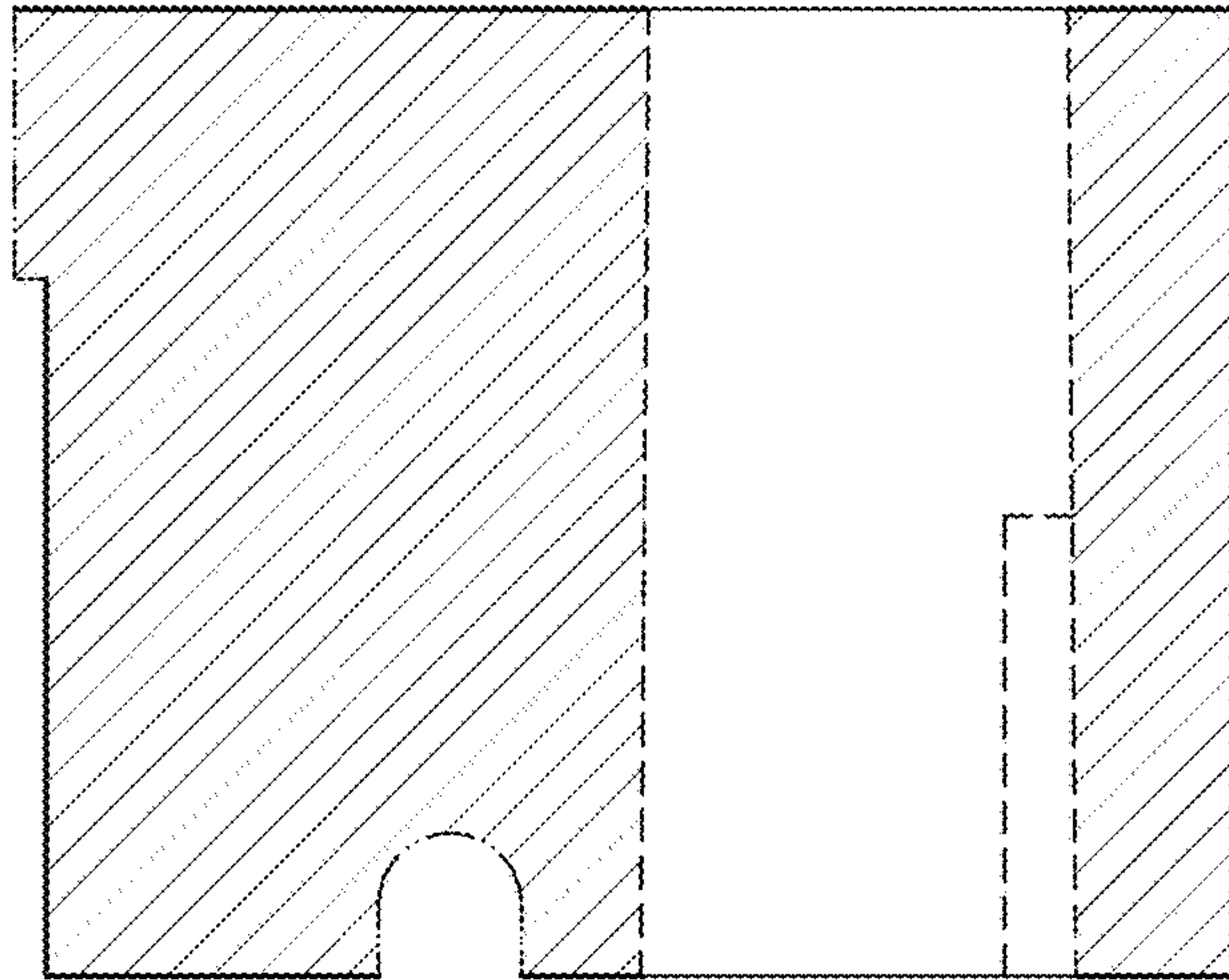


FIG. 24

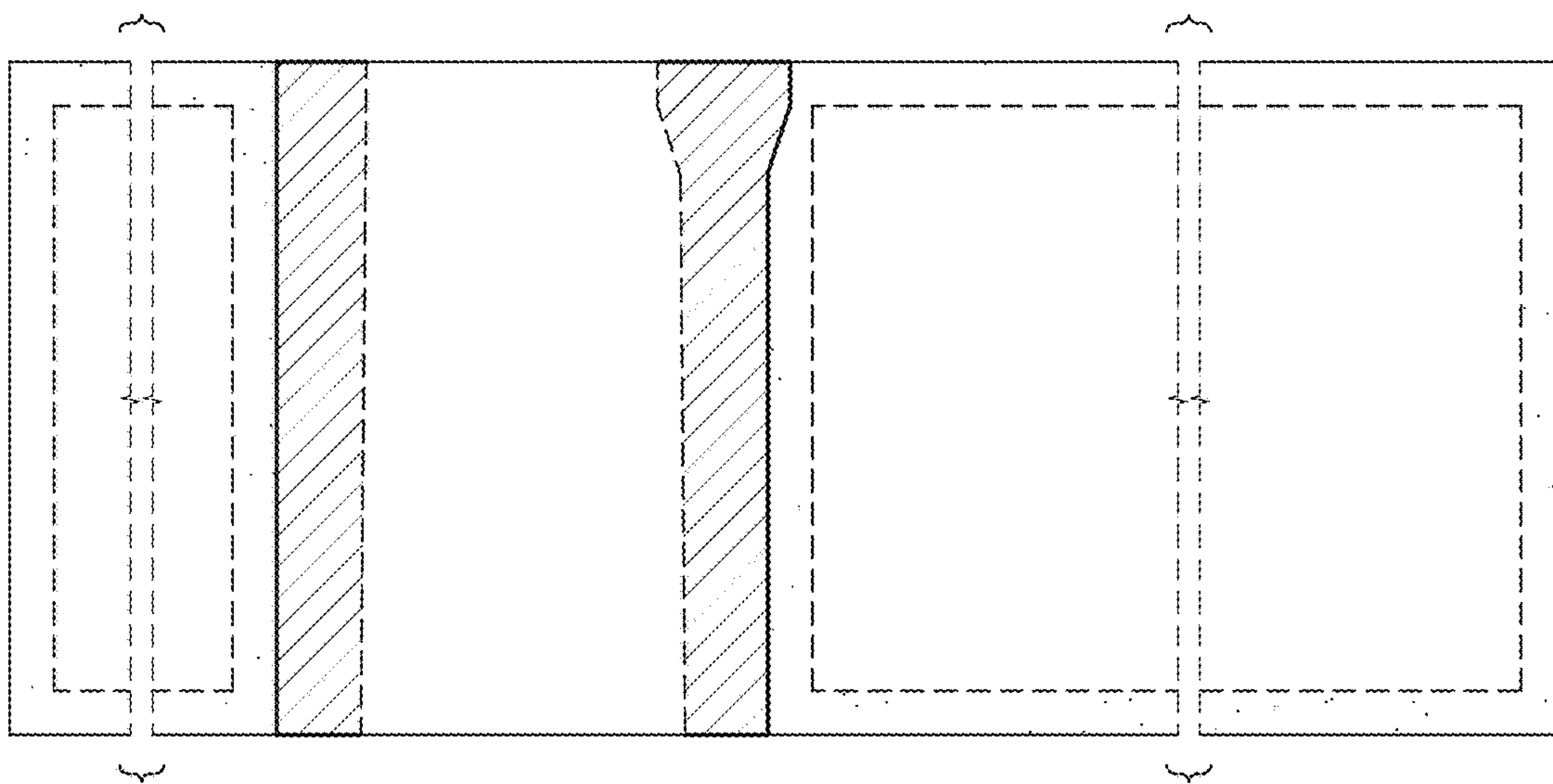


FIG. 25

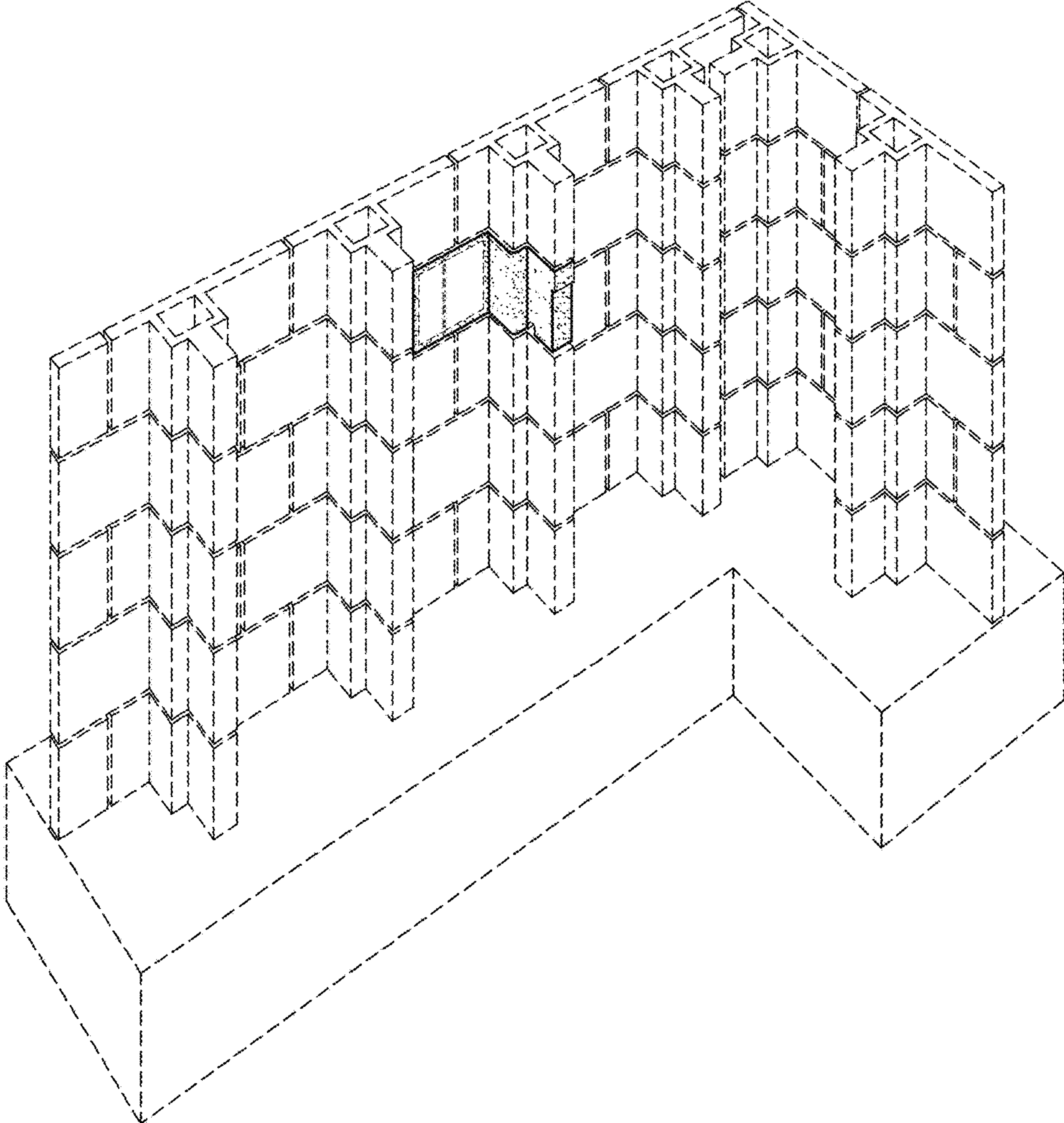


FIG. 26

