

US00D794831S

(12) **United States Design Patent** (10) **Patent No.:** **US D794,831 S**  
**Kelley** (45) **Date of Patent:** **\*\* Aug. 15, 2017**

(54) **GATE OPERATOR ARM COVER**

OTHER PUBLICATIONS

(71) Applicant: **Ghost Controls, LLC**, Tallahassee, FL (US)

<http://www.signaturegaragegatesupply.com/product/liftmaster-la400dcs-lm-residential-secondary-24vdc-actuator-arm-only-junction-box-and-40-cable-included-for-dual-swing-gate-applications/>  
Retrieved Mar. 28, 2017.\*  
<https://ghostcontrols.com/tss1-single-kit/> Retrieved Mar. 28, 2017.\*

(72) Inventor: **Joseph A. Kelley**, Tallahassee, FL (US)

\* cited by examiner

(\*\*) Term: **15 Years**

(21) Appl. No.: **29/563,194**

*Primary Examiner* — Susan Bennett Hattan  
*Assistant Examiner* — Leanne Was-Englehart  
(74) *Attorney, Agent, or Firm* — The Rapacke Law Group, P.A.

(22) Filed: **May 3, 2016**

(51) **LOC (10) Cl.** ..... **25-02**

(52) **U.S. Cl.**  
USPC ..... **D25/48.5**

(58) **Field of Classification Search**  
USPC ..... D25/48.5; 49/35, 49, 68, 110, 141, 394;  
52/64

(57) **CLAIM**

CPC ..... E01F 13/06; G07F 17/145  
See application file for complete search history.

The ornamental design for a gate operator arm cover, as shown and described.

(56) **References Cited**

**DESCRIPTION**

U.S. PATENT DOCUMENTS

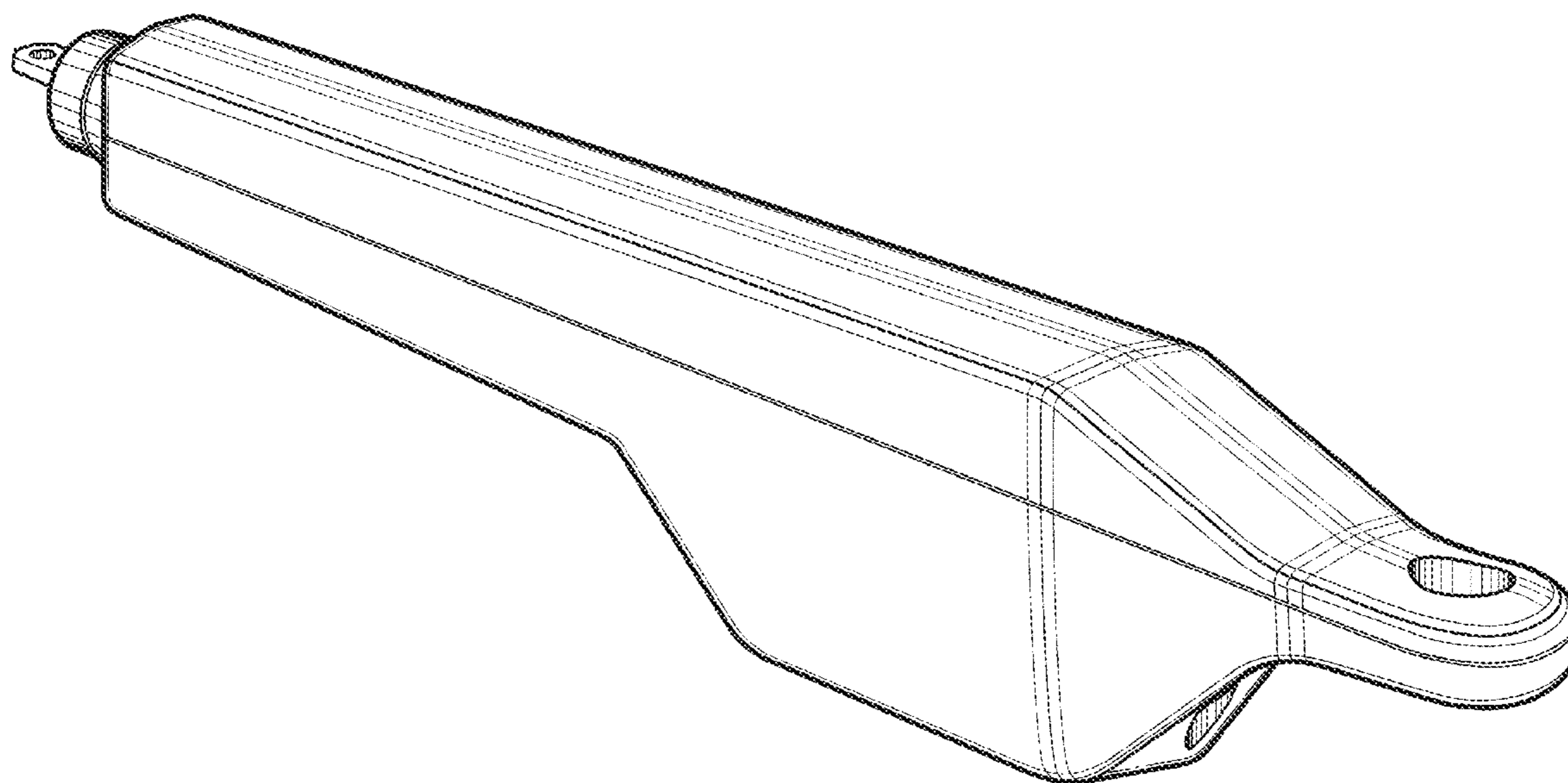
- 3,169,329 A \* 2/1965 Powers ..... E06B 11/085  
49/110
- 4,227,344 A \* 10/1980 Poppke ..... E01F 13/06  
49/147
- 4,811,516 A \* 3/1989 Anderson ..... E01F 13/06  
49/141
- D686,753 S \* 7/2013 Schieren ..... D25/48.5

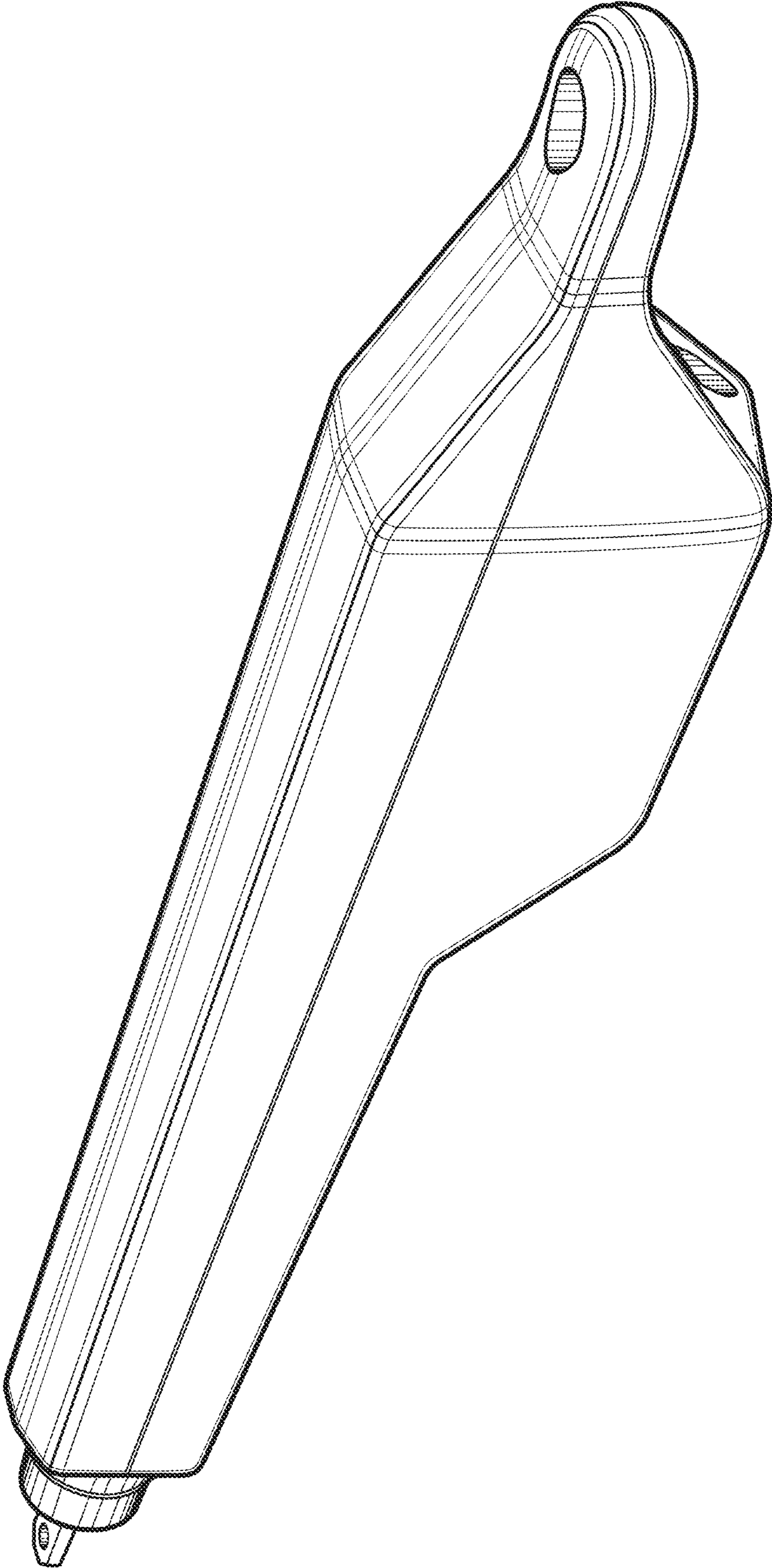
FIG. 1 is a perspective view of the gate operator arm cover; FIG. 2 is a front view thereof; FIG. 3 is a rear view thereof; FIG. 4 is a left side view thereof; FIG. 5 is a top view thereof; and, FIG. 6 is a bottom view thereof. A right side view is omitted as its a mirror image of the left side view shown in FIG. 4.

FOREIGN PATENT DOCUMENTS

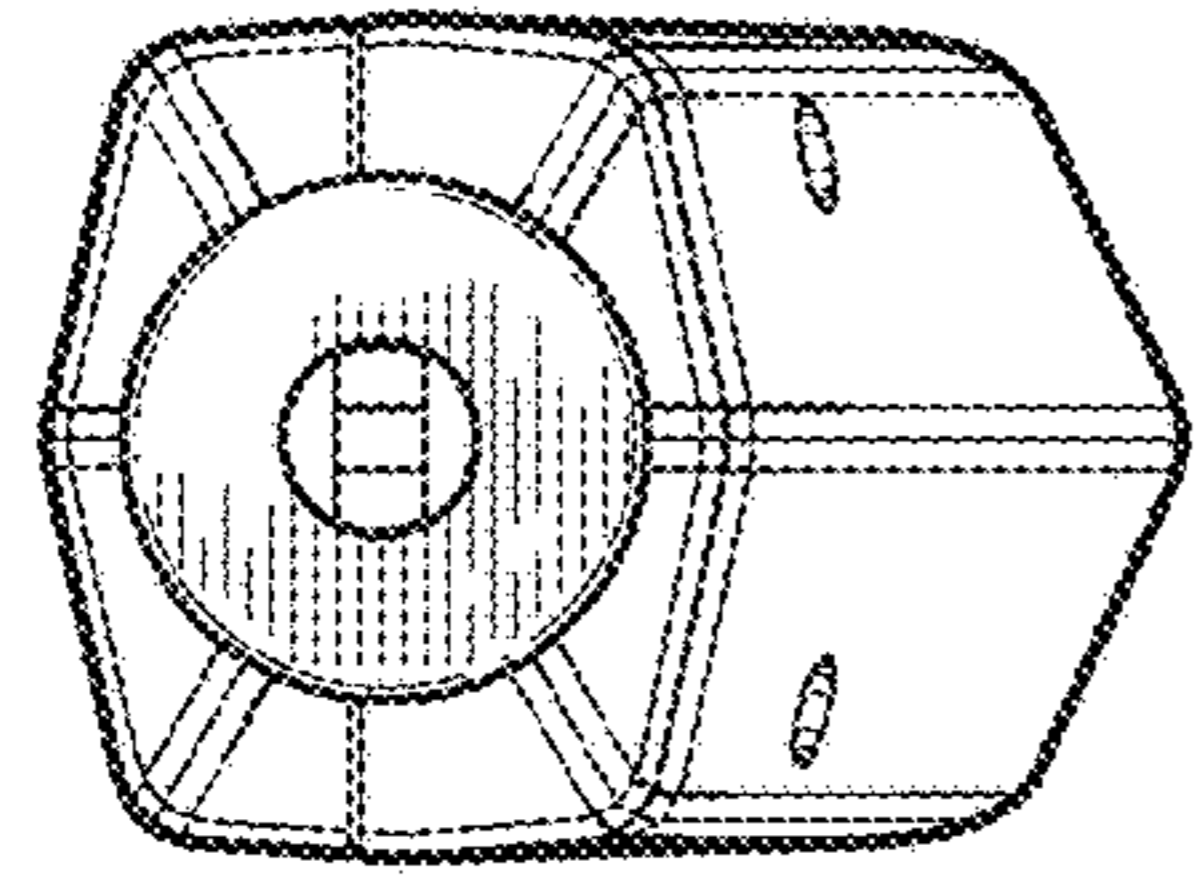
WO D064789-001 \* 1/2004

**1 Claim, 3 Drawing Sheets**

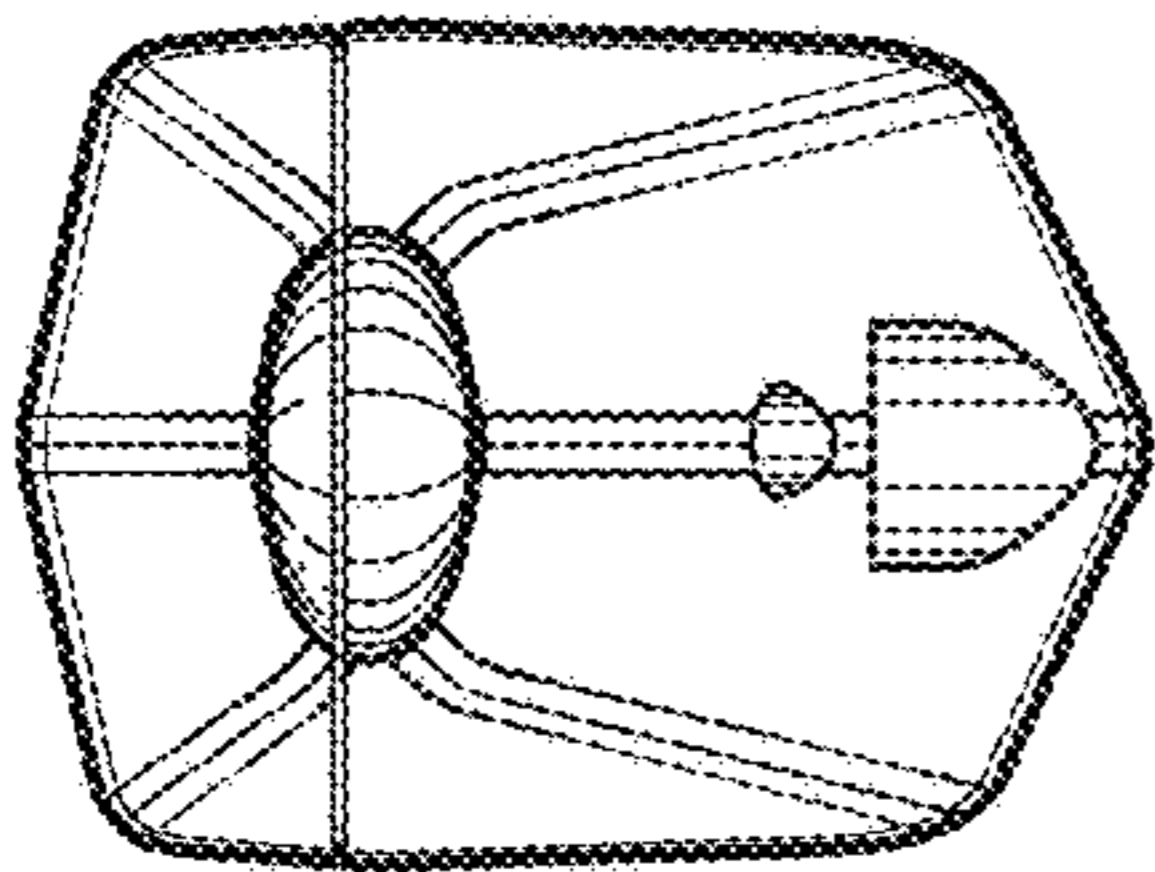




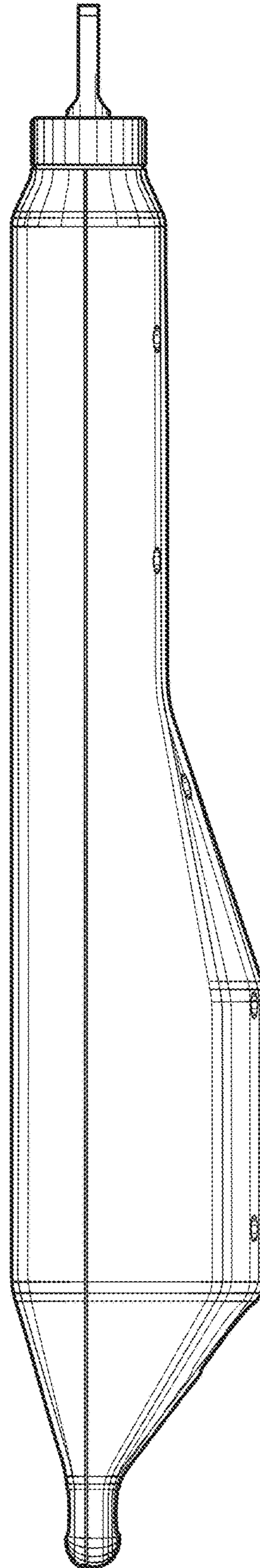
*Fig. 1*



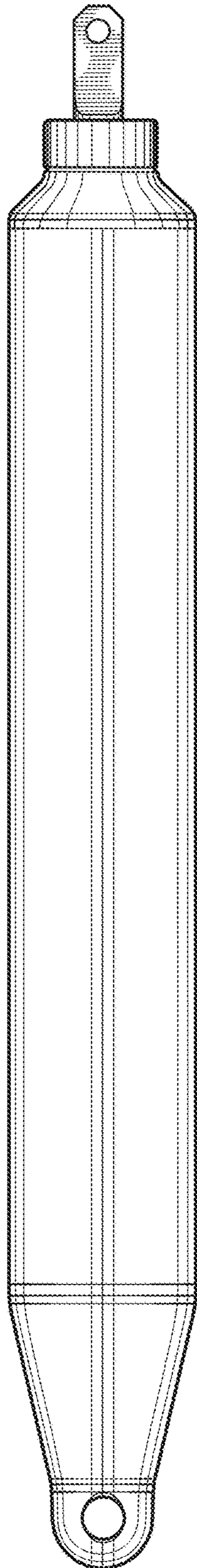
*Fig. 2*



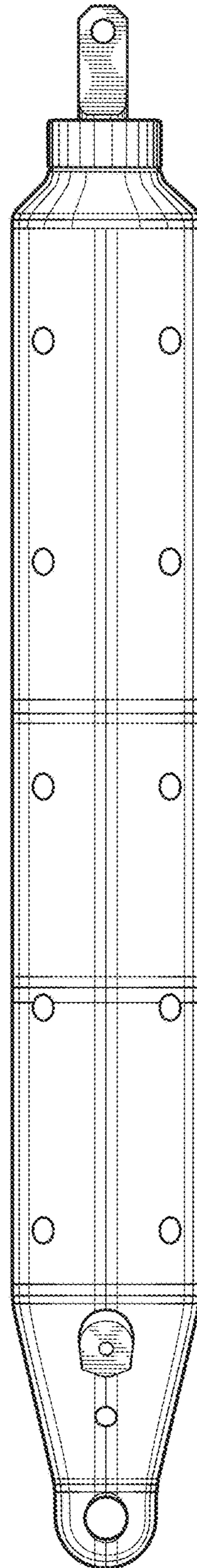
*Fig. 3*



*Fig. 4*



*Fig. 5*



*Fig. 6*