



US00D794830S

(12) **United States Design Patent** (10) **Patent No.:** **US D794,830 S**
Altieri, Jr. (45) **Date of Patent:** **** Aug. 15, 2017**

(54) **WINDOW SCREEN EDGE ADAPTOR**
(71) Applicant: **Flexscreen, LLC**, Murrysville, PA (US)
(72) Inventor: **Joseph A. Altieri, Jr.**, Pittsburgh, PA (US)

D587,421 S * 2/2009 Liao D25/119
D645,981 S * 9/2011 Zapfe D25/124
D698,217 S * 1/2014 Waddell D8/395
D745,189 S * 12/2015 Stoesser D25/125
9,234,388 B2 * 1/2016 Altieri, Jr. E06B 9/0692
D753,840 S * 4/2016 Atkinson D25/48.2
D757,299 S * 5/2016 Altieri, Jr. D25/48.8

(73) Assignee: **Flexscreen, LLC**, Murrysville, PA (US)
(**) Term: **15 Years**

FOREIGN PATENT DOCUMENTS

CN 300971100 * 7/2009

(21) Appl. No.: **29/548,645**

* cited by examiner

(22) Filed: **Dec. 15, 2015**

Primary Examiner — Susan Bennett Hattan

(51) **LOC (10) Cl.** **25-01**

Assistant Examiner — Leanne Was-Englehart

(52) **U.S. Cl.**
USPC **D25/48.2**

(74) *Attorney, Agent, or Firm* — Ronald Law Group, LLC

(58) **Field of Classification Search**
USPC D25/48.1, 48.2, 48.3, 48.7, 60, 119, 122,
D25/124, 136, 164; 49/413, 504;
160/369, 371

(57) **CLAIM**

The ornamental design for a window screen edge adaptor, as shown and described.

CPC E06B 9/52
See application file for complete search history.

DESCRIPTION

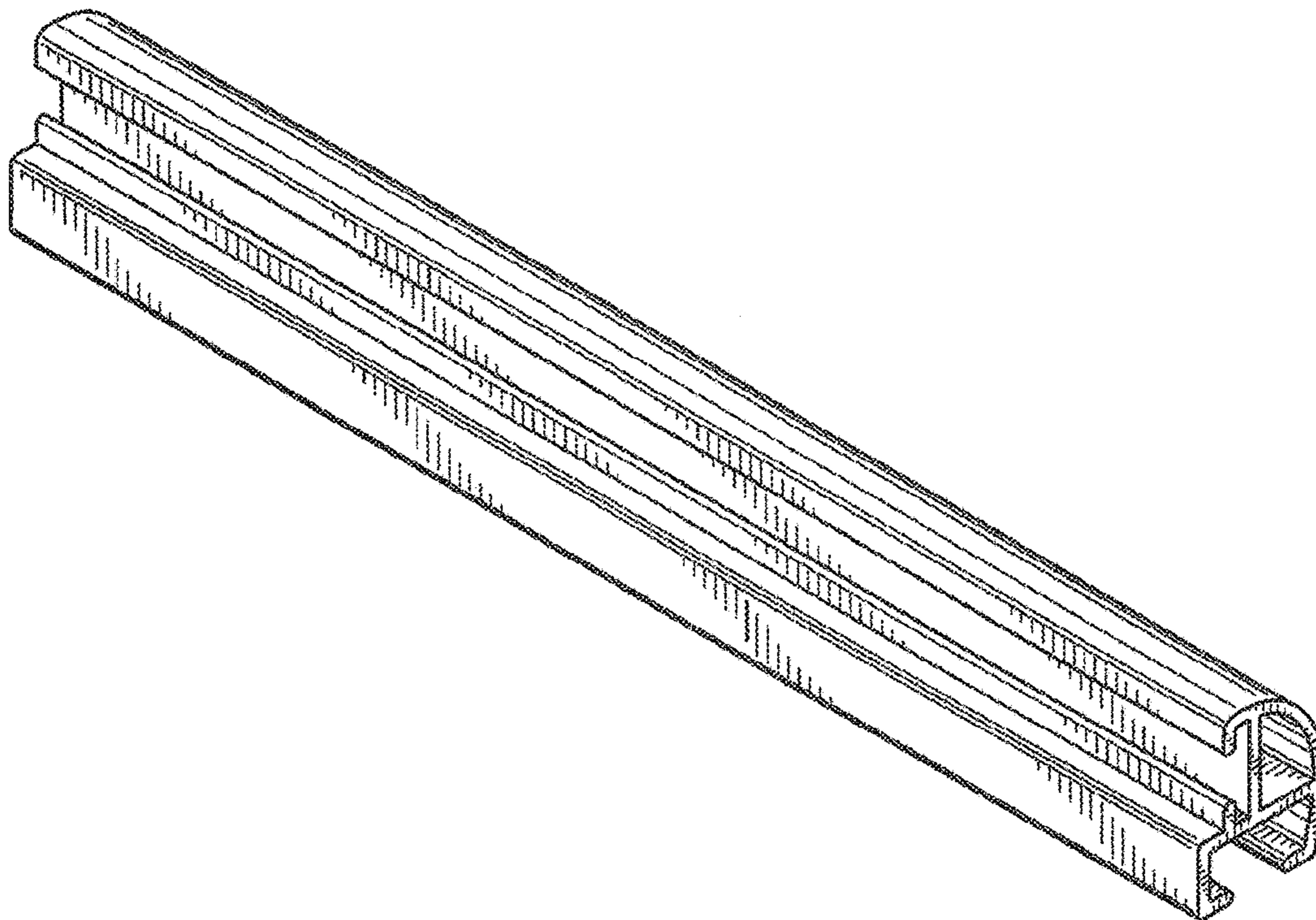
(56) **References Cited**

FIG. 1 is a rear perspective view of a window screen edge adaptor showing my new design;
FIG. 2 is a front perspective view thereof;
FIG. 3 is a left side elevational view thereof;
FIG. 4 is a rear elevational view thereof;
FIG. 5 is a front elevational thereof;
FIG. 6 is a top plan view thereof; and,
FIG. 7 is a bottom plan view thereof.

U.S. PATENT DOCUMENTS

D246,992 S * 1/1978 Green D25/124
D246,993 S * 1/1978 Green D25/124
D294,866 S * 3/1988 Meshulam D25/122
D405,194 S * 2/1999 Kenkel D25/119
D454,215 S * 3/2002 Nelson D25/136
D497,758 S * 11/2004 Goldberg D25/119
D536,801 S * 2/2007 Aughton D25/124

1 Claim, 3 Drawing Sheets



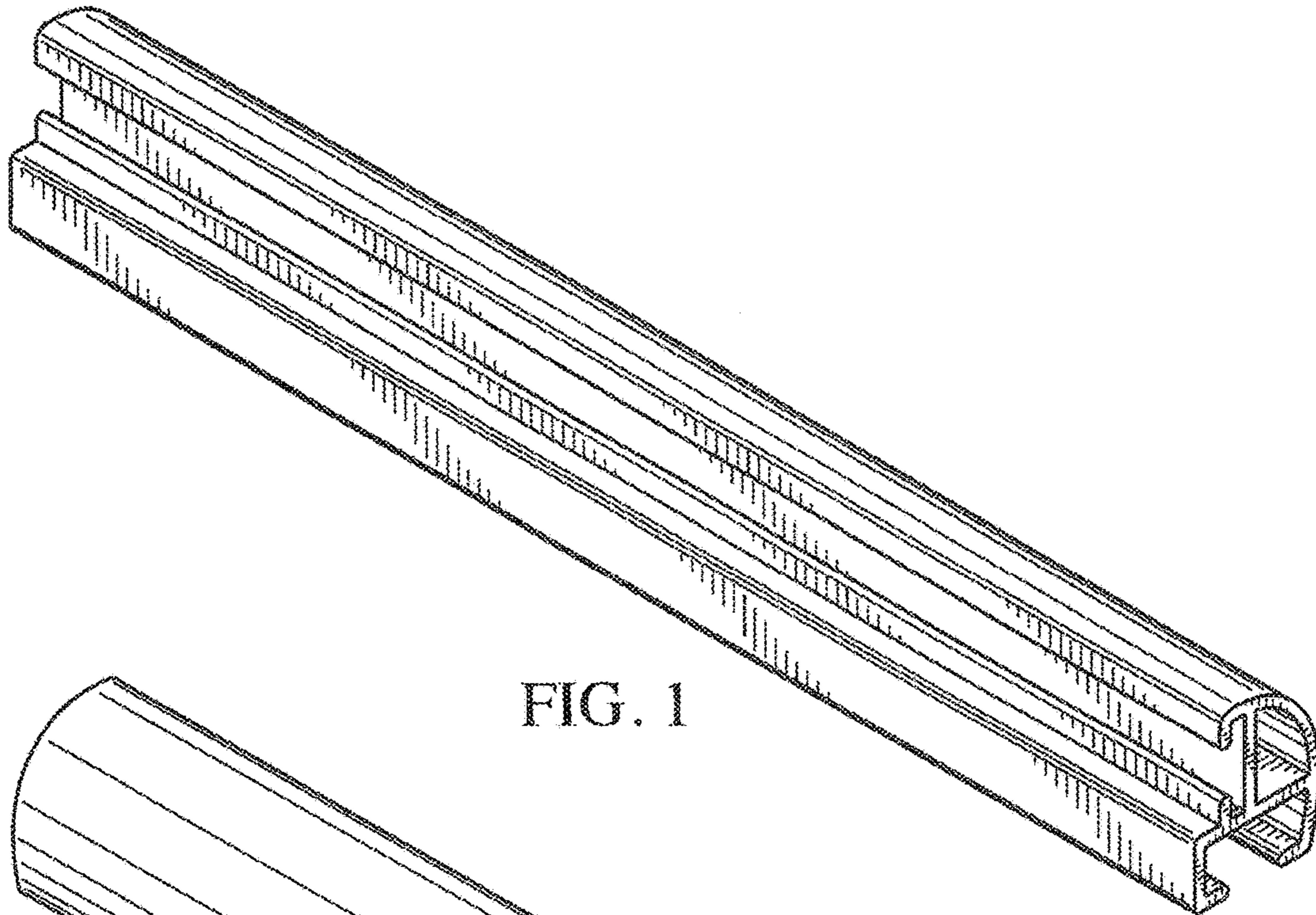


FIG. 1

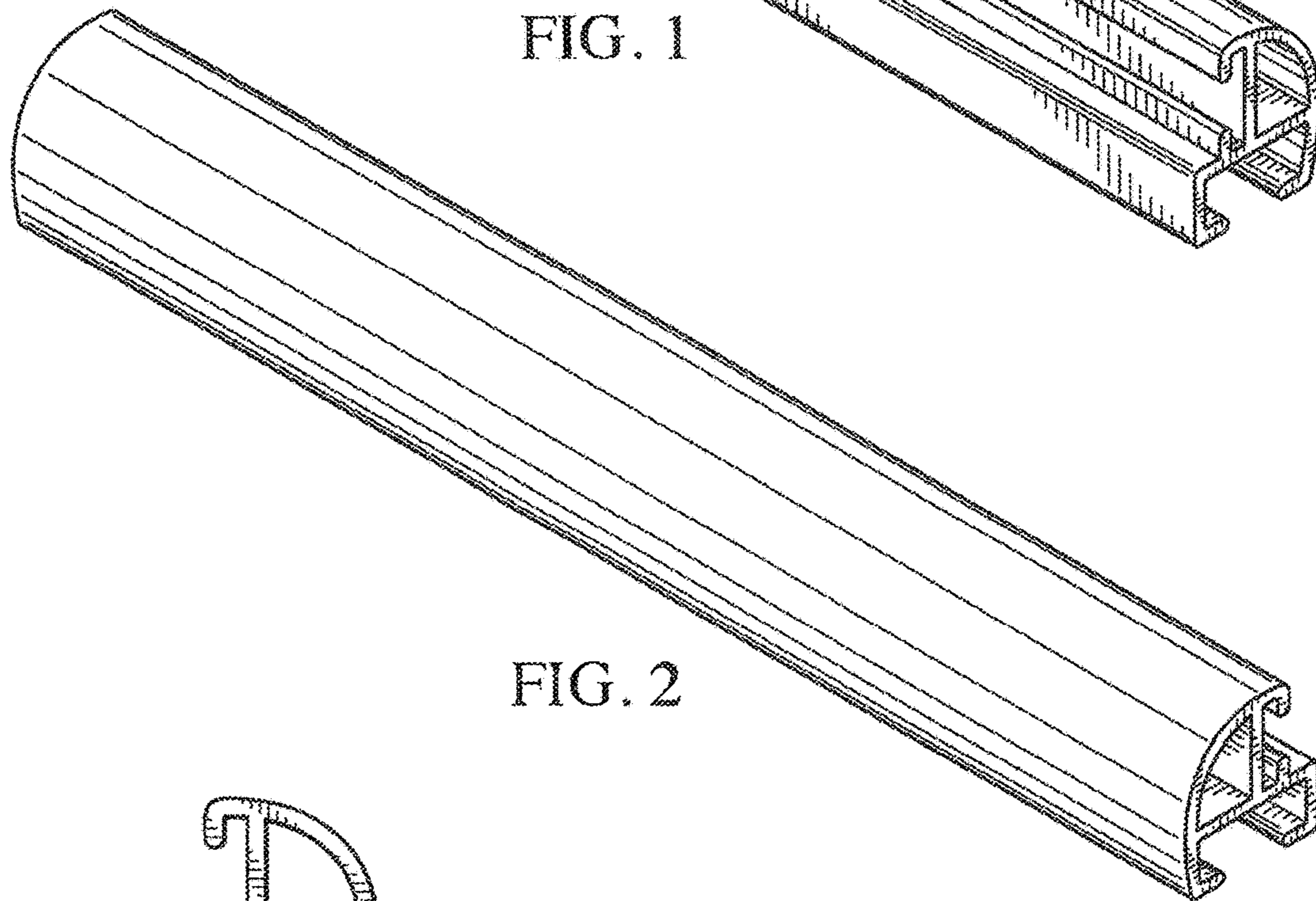


FIG. 2

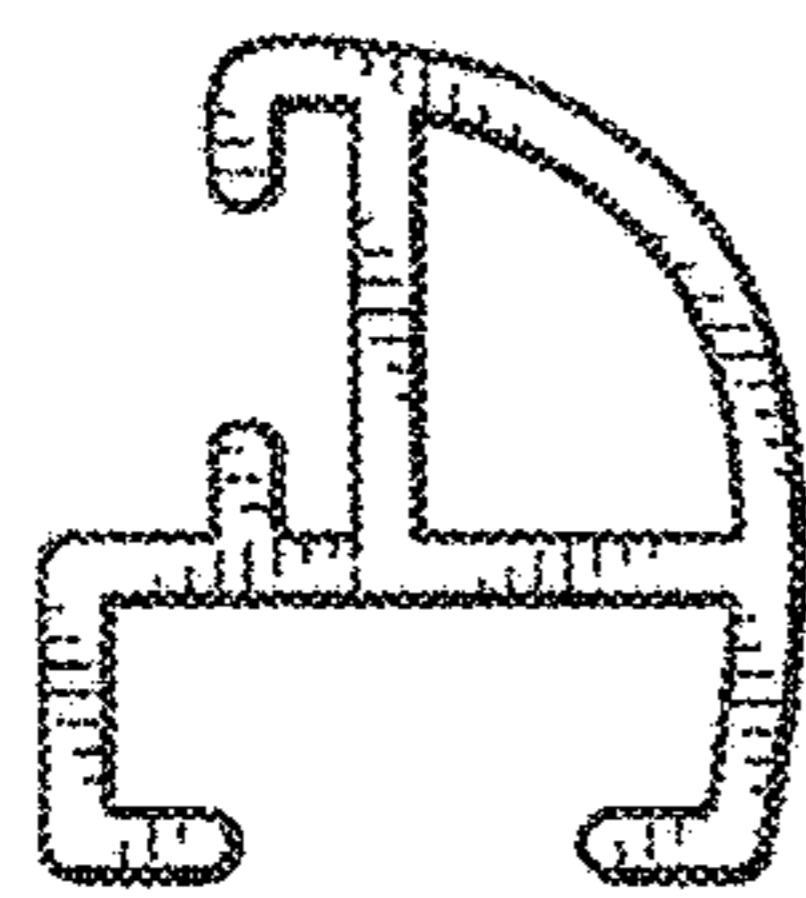


FIG. 3

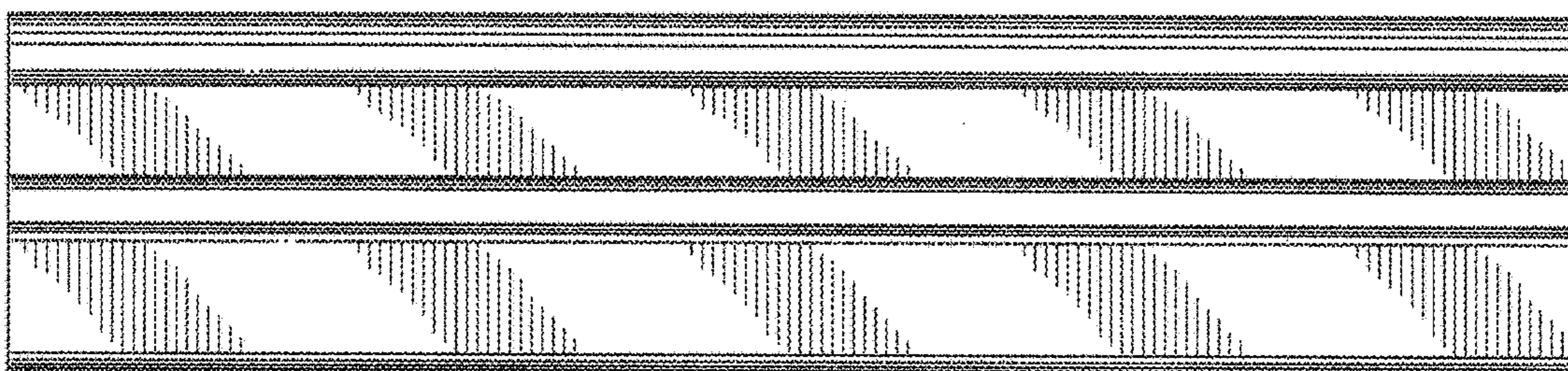


FIG. 4

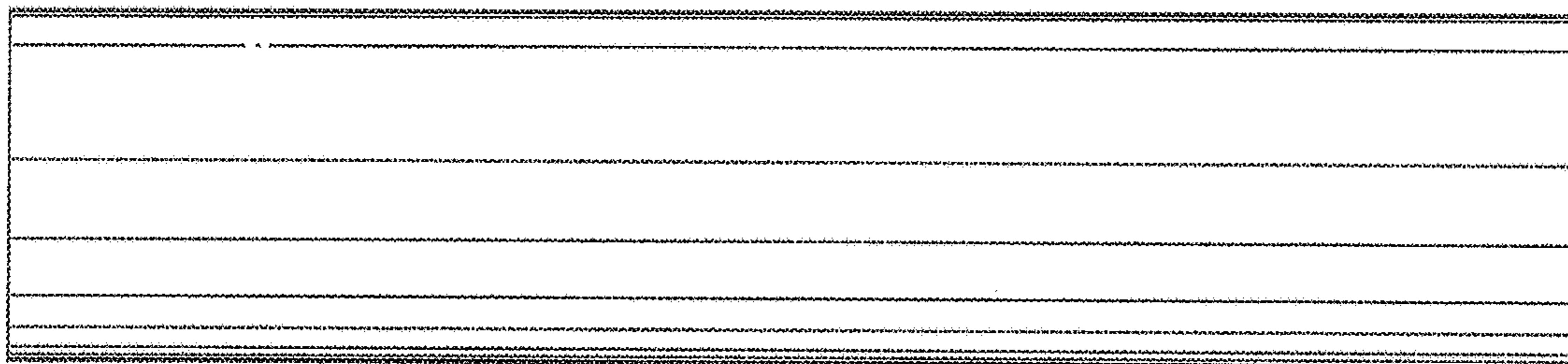


FIG. 5



FIG. 6

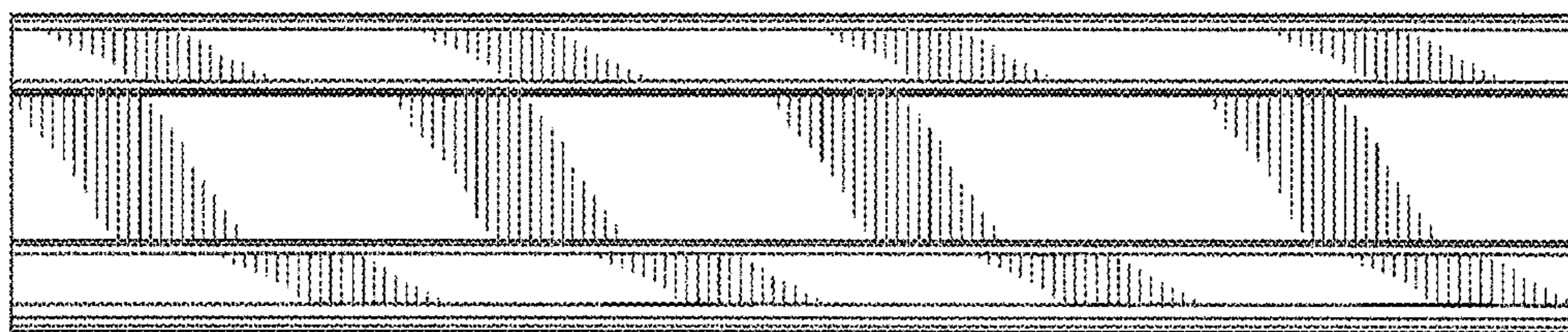


FIG. 7