



US00D794829S

(12) **United States Design Patent** (10) **Patent No.:** **US D794,829 S**  
**Tel-Oren et al.** (45) **Date of Patent:** **\*\* Aug. 15, 2017**

(54) **MODULAR BUILDING OUTWARD CORNER POST**

FOREIGN PATENT DOCUMENTS

(71) Applicant: **Biotekt USA LLC**, Colfax, WI (US)

CN 301172048 \* 4/2010  
CO 29874 12/2013

(Continued)

(72) Inventors: **Adiel Tel-Oren**, Colfax, WI (US);  
**Manuel Lago Granger**, Cali (CO)

OTHER PUBLICATIONS

(73) Assignee: **BIOTEKT USA, LLC**, Colfax, WI (US)

<http://www.biotekt.com/systems-1-1/> Retrieved Mar. 15, 2017.\*

(\*\*) Term: **15 Years**

*Primary Examiner* — Susan Bennett Hattan  
*Assistant Examiner* — Leanne Was-Englehart  
(74) *Attorney, Agent, or Firm* — Dietz Law Office LLC

(21) Appl. No.: **29/562,398**

(57) **CLAIM**

The ornamental design for a modular building outward corner post, as shown and described.

(22) Filed: **Apr. 26, 2016**

**DESCRIPTION**

(51) **LOC (10) Cl.** ..... **25-01**

(52) **U.S. Cl.**

USPC ..... **D25/35**

(58) **Field of Classification Search**

USPC ..... D25/35, 55, 58, 60, 61, 126, 138;  
52/79.12, 79.4, 79.5, 86, 309.4

CPC .. E04B 1/3205; E04B 1/3211; E04B 1/34315;  
E04D 13/15; E04F 19/02

See application file for complete search history.

FIG. 1 is a front upper perspective view of the modular building outward corner post of the present invention; FIG. 2 is a front elevational view of the modular building outward corner post of the present invention shown in FIG. 1; FIG. 3 is a back elevational view of the modular building outward corner post of the present invention shown in FIG. 1; FIG. 4 is a left side elevational view of the modular building outward corner post of the present invention shown in FIG. 1; FIG. 5 is a right side elevational view of the modular building outward corner post of the present invention shown in FIG. 1; FIG. 6 is a top plan view of the modular building outward corner post of the present invention shown in FIG. 1; FIG. 7 is a bottom plan view of the modular building outward corner post of the present invention shown in FIG. 1; and, FIG. 8 is a back lower perspective view of the modular building outward corner post of the present invention shown in FIG. 1.

(56) **References Cited**

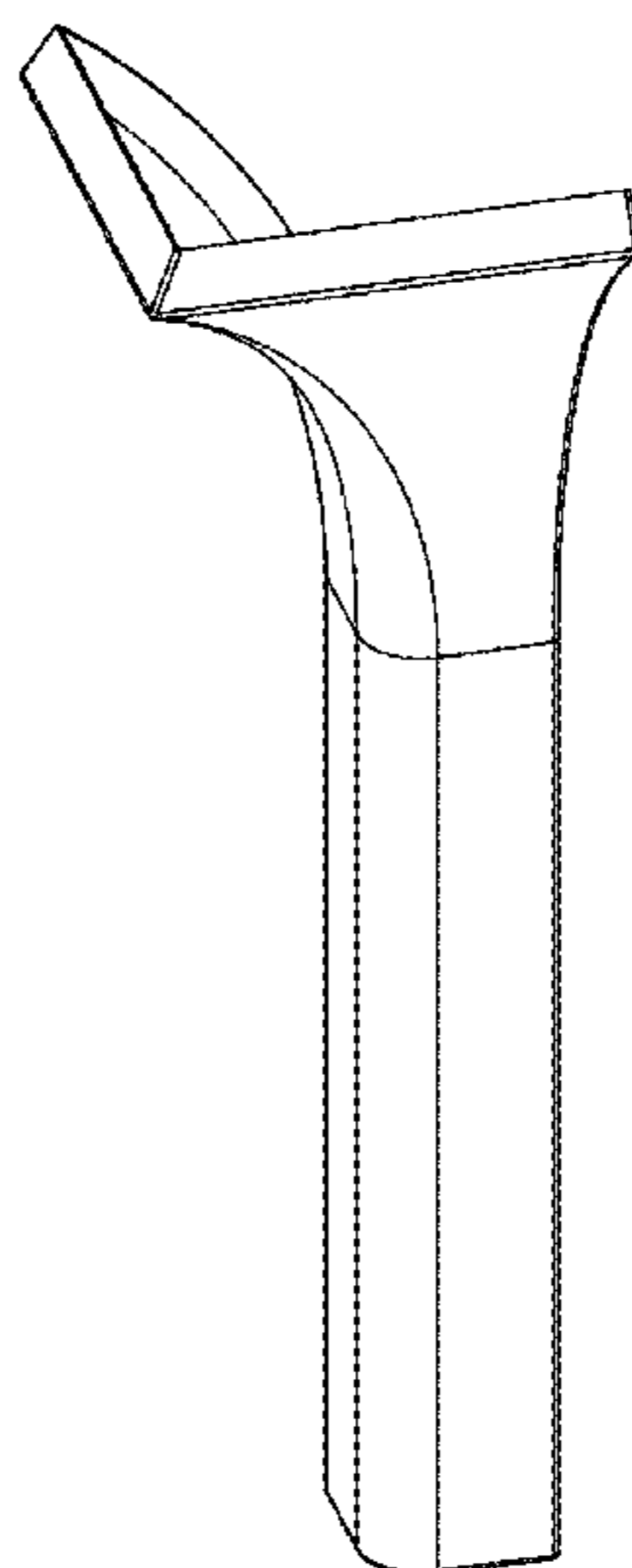
U.S. PATENT DOCUMENTS

D229,678 S \* 12/1973 Hildebrand ..... 52/79.4  
D229,679 S \* 12/1973 Hildebrand ..... 52/79.4  
4,023,317 A \* 5/1977 Bettger ..... E04B 1/32  
52/262  
4,774,790 A \* 10/1988 Hopper ..... E04B 1/32  
52/463  
D453,900 S \* 2/2002 Zapf ..... D8/499  
D594,575 S \* 6/2009 Muehlebach ..... D25/136  
7,591,118 B2 \* 9/2009 Shaw ..... E04D 13/15  
52/287.1

D683,048 S 5/2013 Yoder et al.

(Continued)

**1 Claim, 8 Drawing Sheets**



(56)

**References Cited**

U.S. PATENT DOCUMENTS

D683,469 S 5/2013 Yoder et al.  
D708,348 S 7/2014 Yoder et al.  
D708,349 S 7/2014 Yoder et al.  
D727,531 S 4/2015 Gill et al.  
2007/0119107 A1\* 5/2007 Shaw ..... E04D 13/15  
52/287.1  
2009/0013615 A1\* 1/2009 Kitagawa ..... E04B 1/3205  
52/79.12  
2010/0313490 A1\* 12/2010 Park ..... E04B 1/3205  
52/80.1

FOREIGN PATENT DOCUMENTS

GB 1013135 \* 2/1984  
JP D1522799 \* 4/2015  
JP D1526388 \* 6/2015

\* cited by examiner

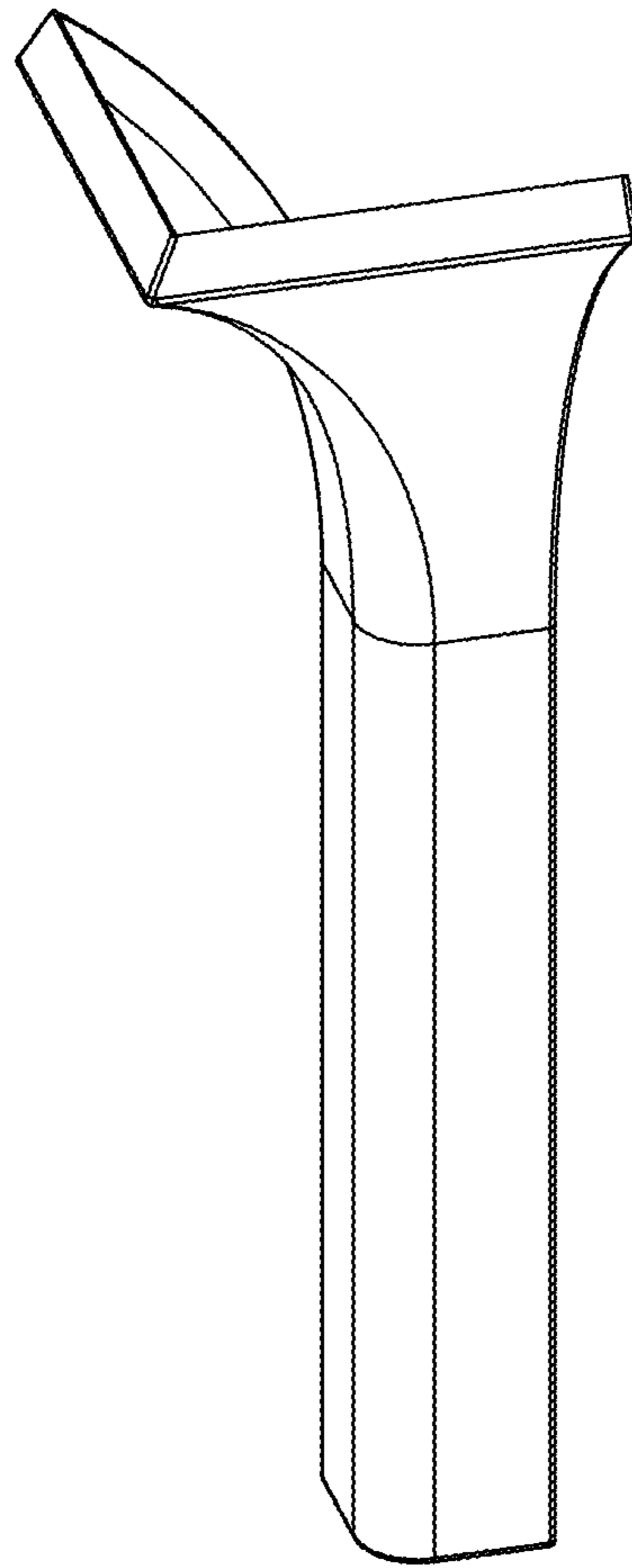


FIG. 1

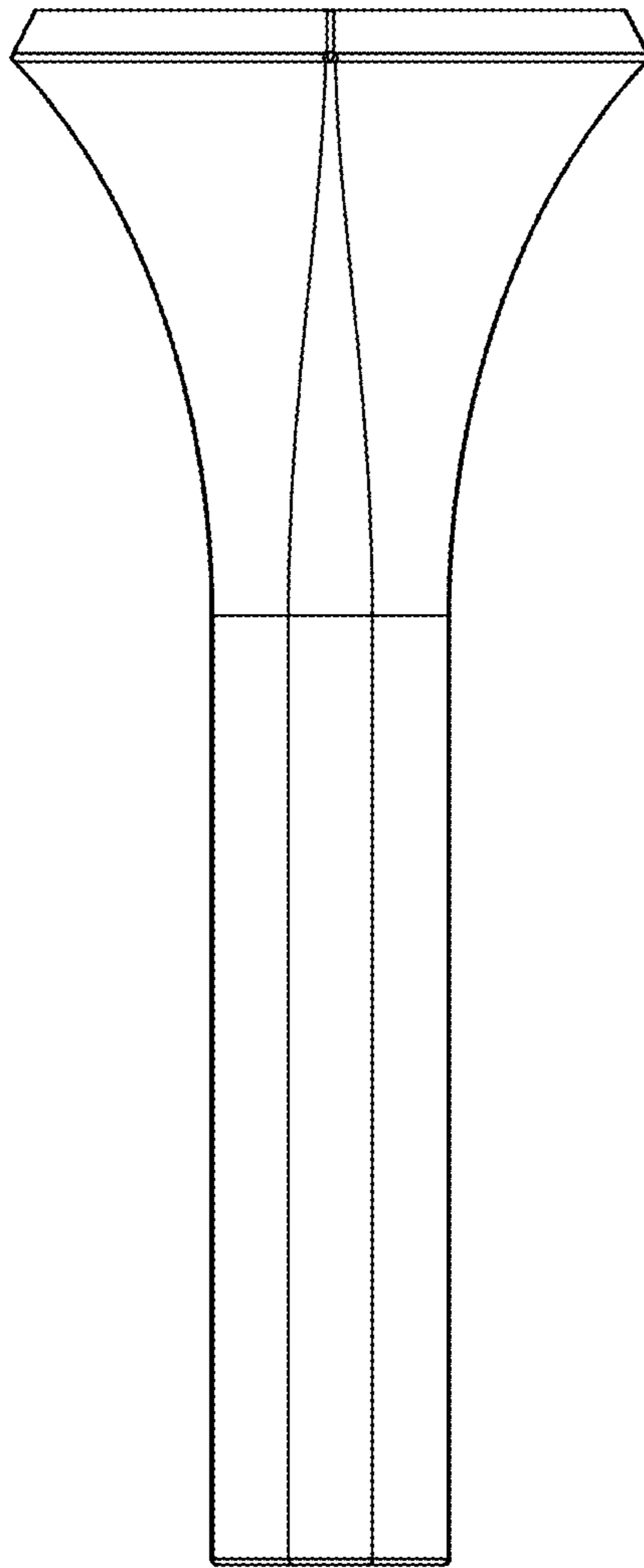


FIG. 2

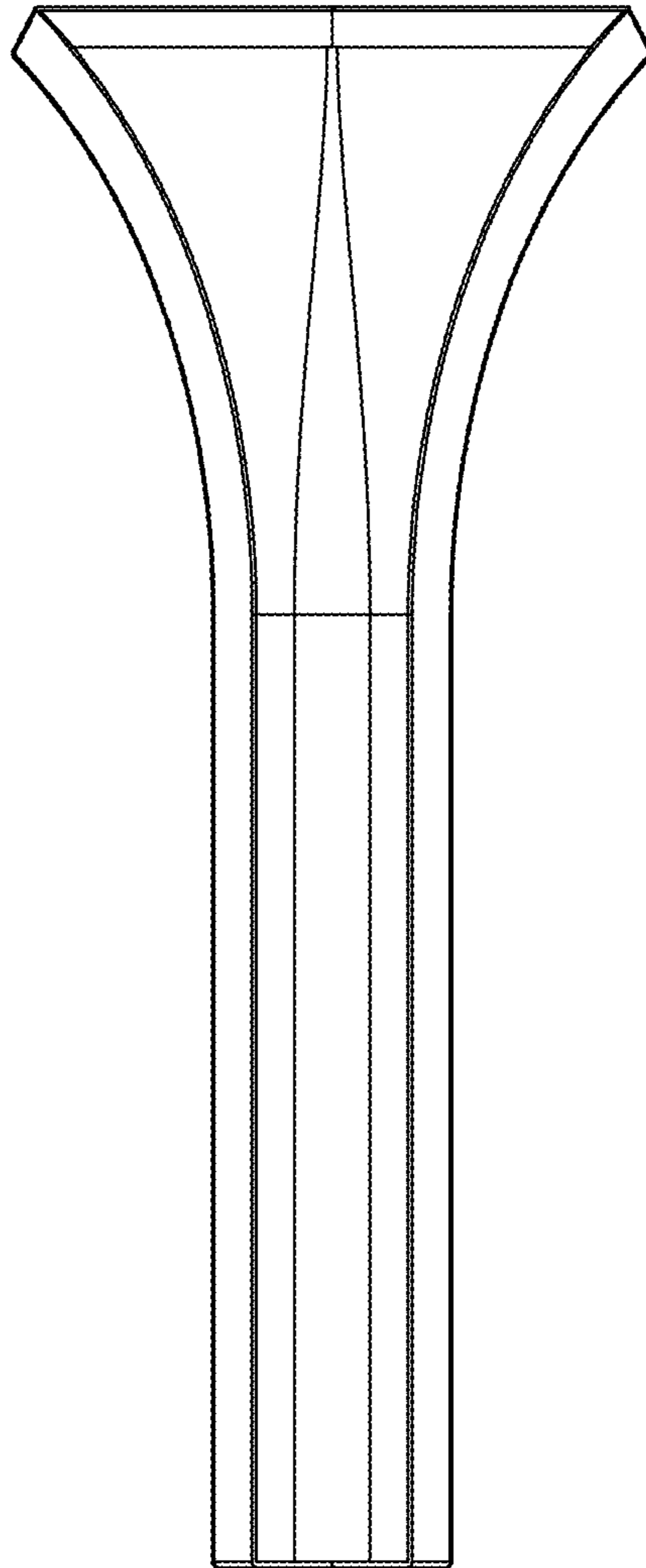


FIG. 3

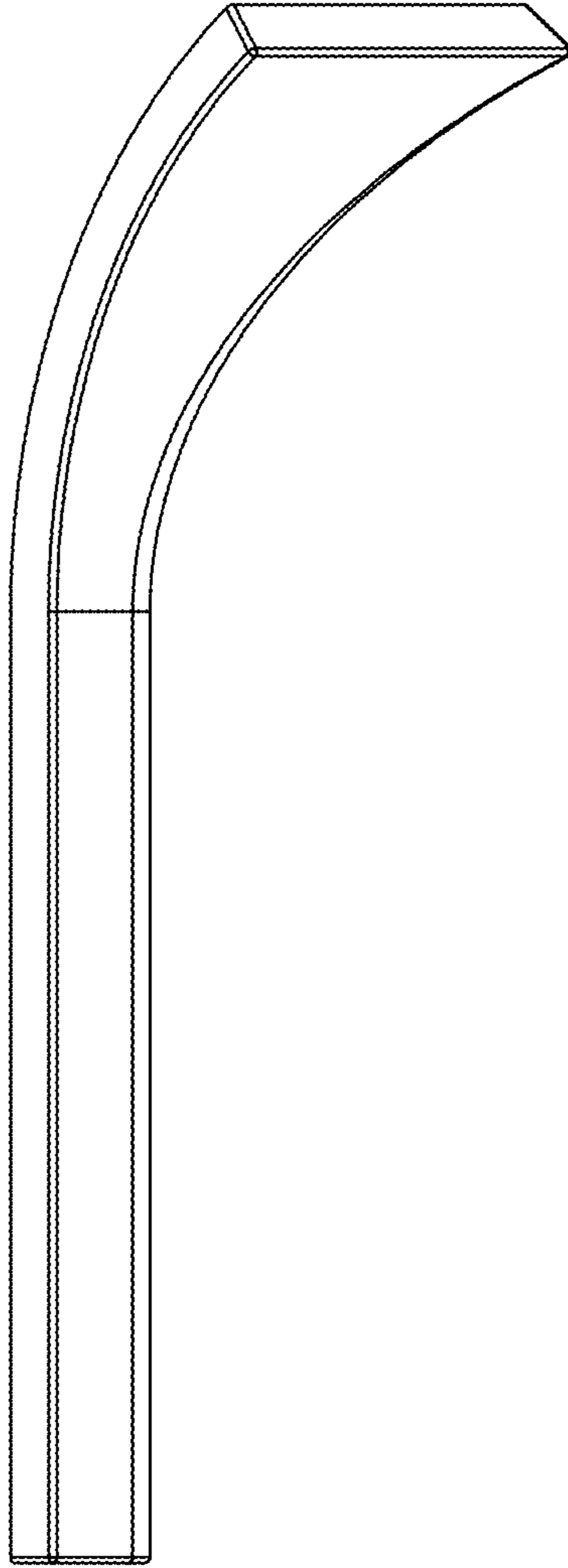


FIG. 4

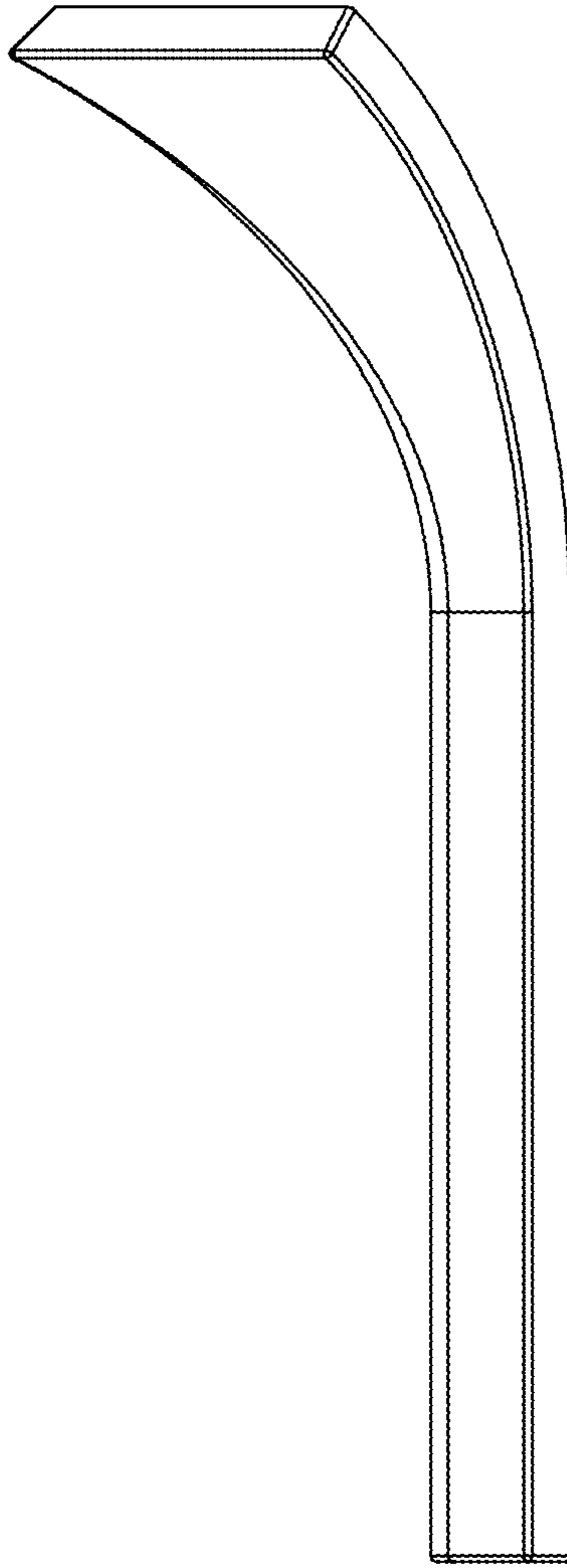


FIG. 5

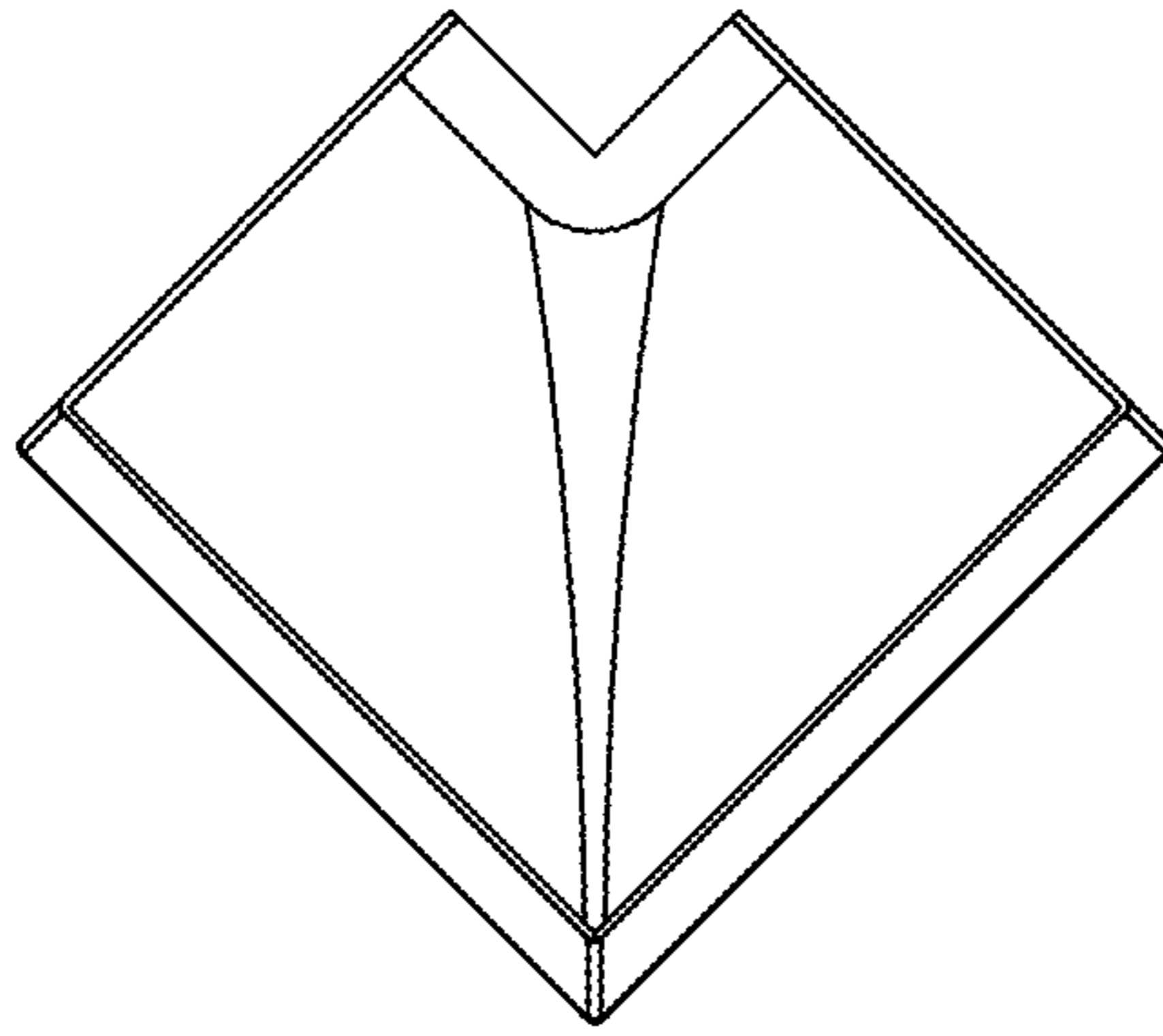


FIG. 6



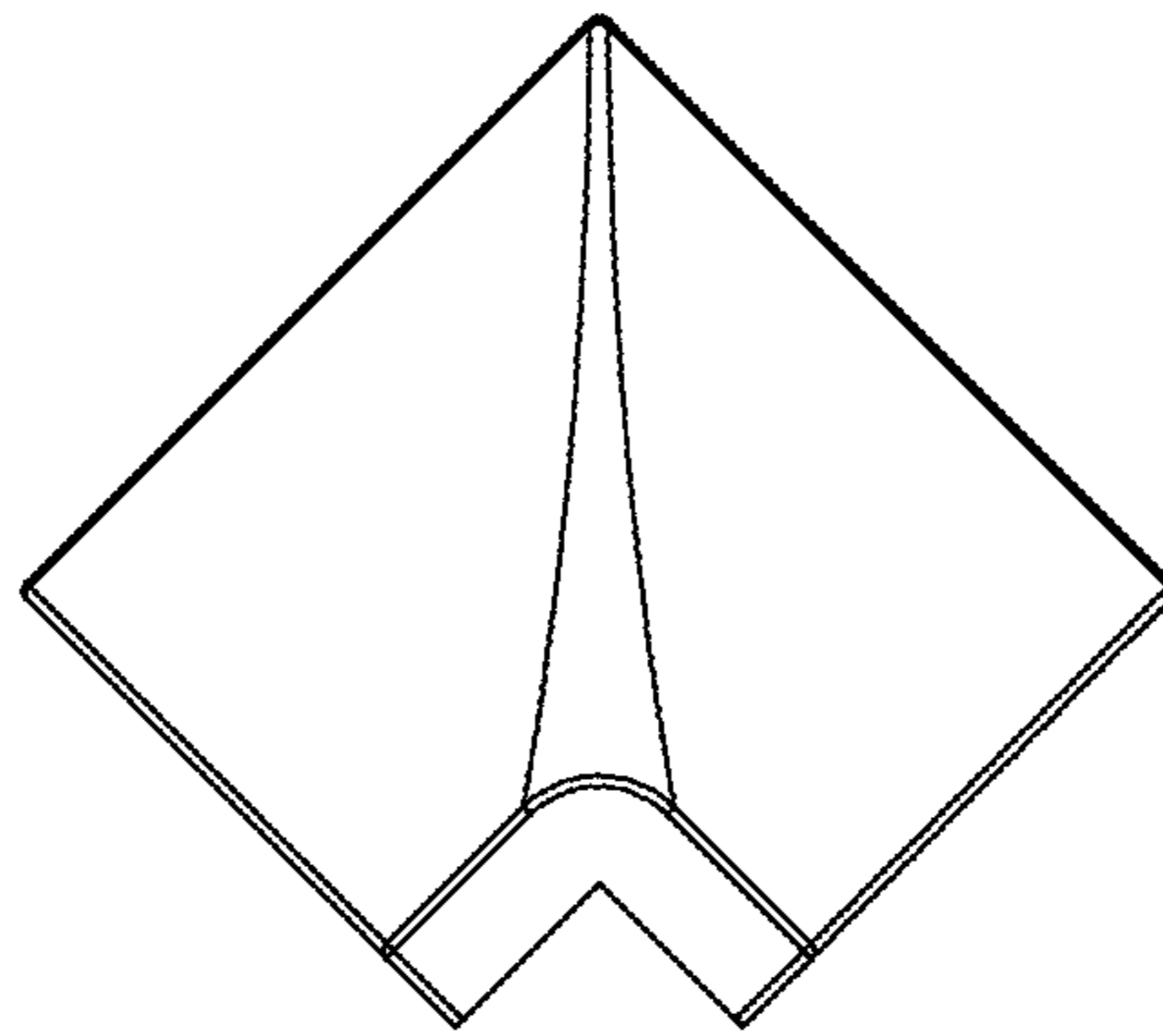


FIG. 7

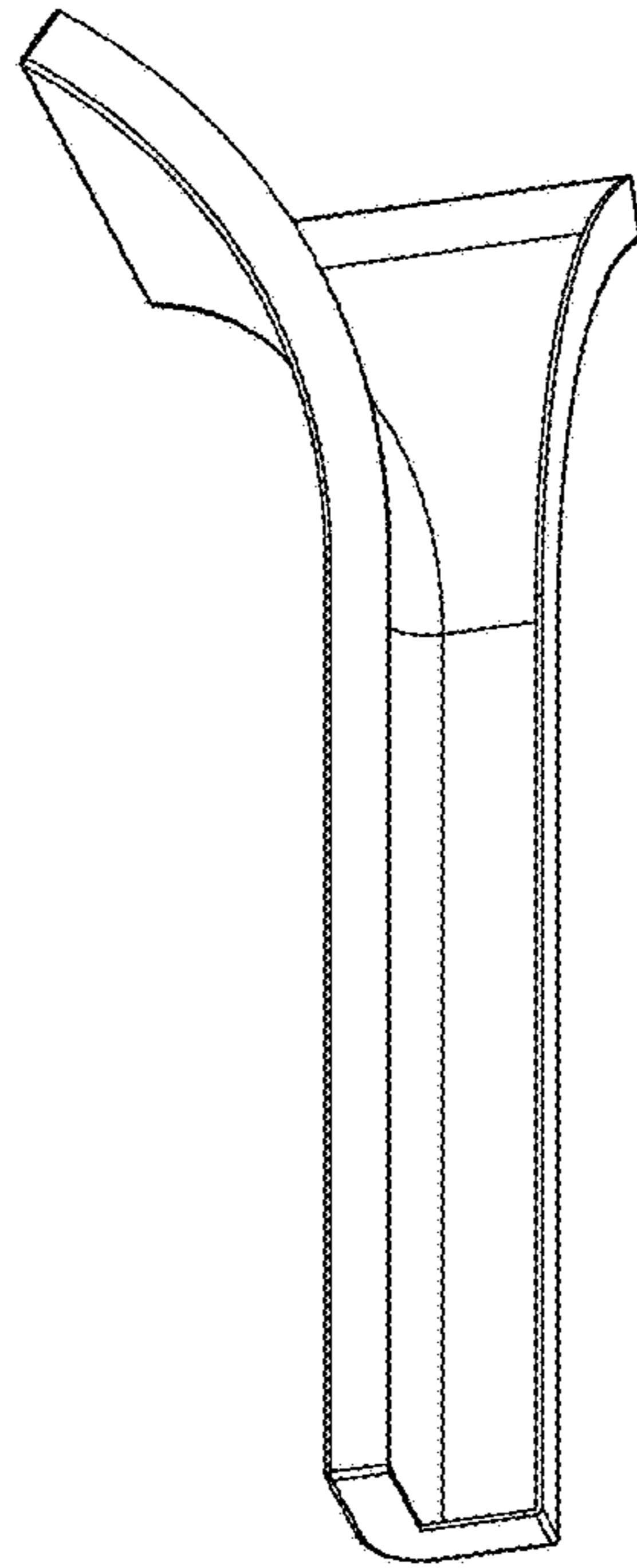


FIG. 8