



US00D794828S

(12) **United States Design Patent** (10) **Patent No.:** **US D794,828 S**  
**Tel-Oren et al.** (45) **Date of Patent:** **\*\* Aug. 15, 2017**

(54) **MODULAR BUILDING ARCHWAY PANEL**

(71) Applicant: **Biotekt USA LLC**, Colfax, WI (US)

(72) Inventors: **Adiel Tel-Oren**, Colfax, WI (US);  
**Manuel Lago Granger**, Cali (CO)

(73) Assignee: **BIOTEKT USA, LLC**, Colfax, WI (US)

(\*\*) Term: **15 Years**

(21) Appl. No.: **29/562,396**

(22) Filed: **Apr. 26, 2016**

(51) **LOC (10) Cl.** ..... **25-03**

(52) **U.S. Cl.**  
USPC ..... **D25/25**

(58) **Field of Classification Search**  
USPC ..... D25/17, 18, 32, 36, 55, 58, 61, 123, 199  
CPC .. E04B 1/3205; E04B 1/3211; E04B 1/34315;  
E04D 13/15; E04F 19/02  
See application file for complete search history.

(56) **References Cited**

**U.S. PATENT DOCUMENTS**

- 3,802,133 A \* 4/1974 Gregory ..... E04L 31/3205  
135/97
- 3,828,492 A \* 8/1974 Schliemann ..... E04C 2/32  
52/245
- 3,943,672 A \* 3/1976 O'Sheeran ..... E04B 1/28  
52/73
- 3,968,604 A \* 7/1976 Hills ..... E04B 1/3205  
52/745.07
- 4,011,697 A \* 3/1977 Fedolfi ..... E04B 1/24  
52/745.01
- 4,221,100 A \* 9/1980 Lindblad ..... E04L 31/3205  
52/745.07
- 4,653,238 A \* 3/1987 Berman ..... E04L 31/18  
52/236.2
- 4,655,013 A \* 4/1987 Ritland ..... E04L 31/14  
52/127.9

- 4,700,514 A \* 10/1987 Reineman ..... E04L 31/3205  
52/80.1
- 4,848,048 A \* 7/1989 Mairlot ..... A01G 9/1476  
52/222
- 4,876,828 A \* 10/1989 Brill ..... E04L 31/3205  
52/222

(Continued)

**FOREIGN PATENT DOCUMENTS**

CO 29874 12/2013

*Primary Examiner* — Manpreet S Matharu

*Assistant Examiner* — Suzanne E Tisdell

(74) *Attorney, Agent, or Firm* — Dietz Law Office LLC

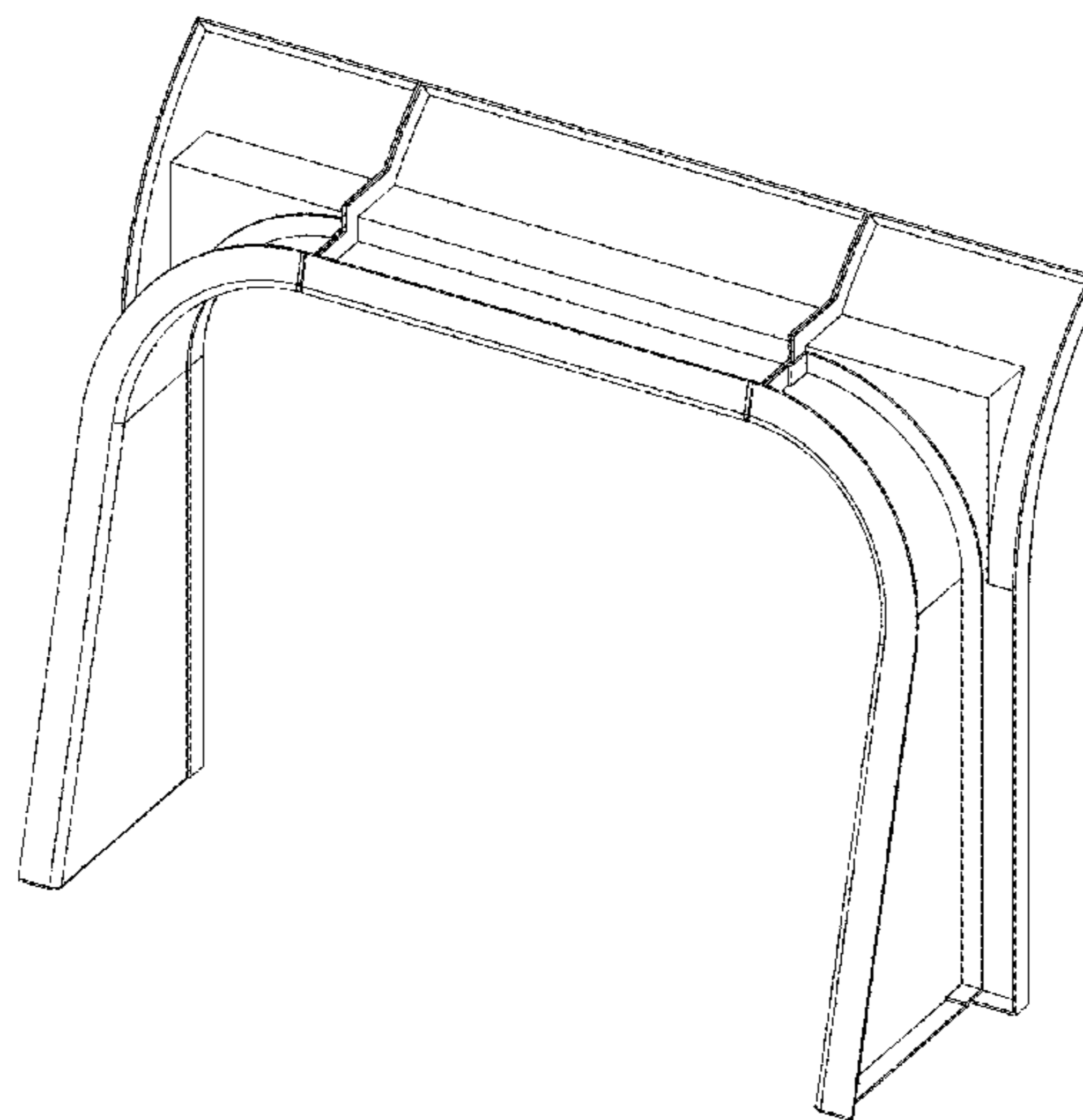
(57) **CLAIM**

The ornamental design for a modular building archway panel, as shown and described.

**DESCRIPTION**

FIG. 1 is a front upper perspective view of the modular building archway panel of the present invention; FIG. 2 is a front elevational view of the modular building archway panel of the present invention shown in FIG. 1; FIG. 3 is a back elevational view of the modular building archway panel of the present invention shown in FIG. 1; FIG. 4 is a left side elevational view of the modular building archway panel of the present invention shown in FIG. 1; FIG. 5 is a right side elevational view of the modular building archway panel of the present invention shown in FIG. 1; FIG. 6 is a top plan view of the modular building archway panel of the present invention shown in FIG. 1; FIG. 7 is a bottom plan view of the modular building archway panel of the present invention shown in FIG. 1; and, FIG. 8 is a back lower perspective view of the modular building archway panel of the present invention shown in FIG. 1.

**1 Claim, 8 Drawing Sheets**



(56)

References Cited

U.S. PATENT DOCUMENTS

4,885,879 A \* 12/1989 Plantier ..... E01F 7/02  
52/299  
4,894,962 A \* 1/1990 Conn ..... E04L 31/3205  
52/108  
5,233,799 A \* 8/1993 Abukawa ..... B21D 5/08  
52/53  
D430,306 S \* 8/2000 Goldwitz ..... D25/61  
D432,683 S \* 10/2000 Ullrich ..... D25/135  
6,161,342 A \* 12/2000 Barbier ..... E02D 29/05  
405/124  
6,243,994 B1 \* 6/2001 Bernini ..... E02D 29/045  
14/26  
6,434,891 B1 \* 8/2002 Cameron ..... E04L 31/3205  
52/86  
D582,054 S \* 12/2008 Moller ..... D25/199  
D588,715 S \* 3/2009 Funk ..... D25/121

D659,851 S \* 5/2012 Vanleysen ..... D25/18  
D683,048 S 5/2013 Yoder et al.  
D683,415 S \* 5/2013 Yurianto ..... D21/839  
D683,469 S 5/2013 Yoder et al.  
D708,348 S 7/2014 Yoder et al.  
D708,349 S 7/2014 Yoder et al.  
D727,531 S 4/2015 Gill et al.  
9,021,750 B1 \* 5/2015 Matulin ..... E04L 31/34321  
52/79.4  
D771,477 S \* 11/2016 Anderson ..... D25/121  
D785,204 S \* 4/2017 Koo ..... D25/61  
2004/0031210 A1 \* 2/2004 Kjorsvik ..... E04F 19/02  
52/58  
2007/0289228 A1 \* 12/2007 Key ..... E04L 31/3205  
52/86  
2008/0060284 A1 \* 3/2008 Barry ..... E04L 31/3211  
52/80.1  
2014/0259995 A1 \* 9/2014 White ..... A01G 9/16  
52/173.1

\* cited by examiner

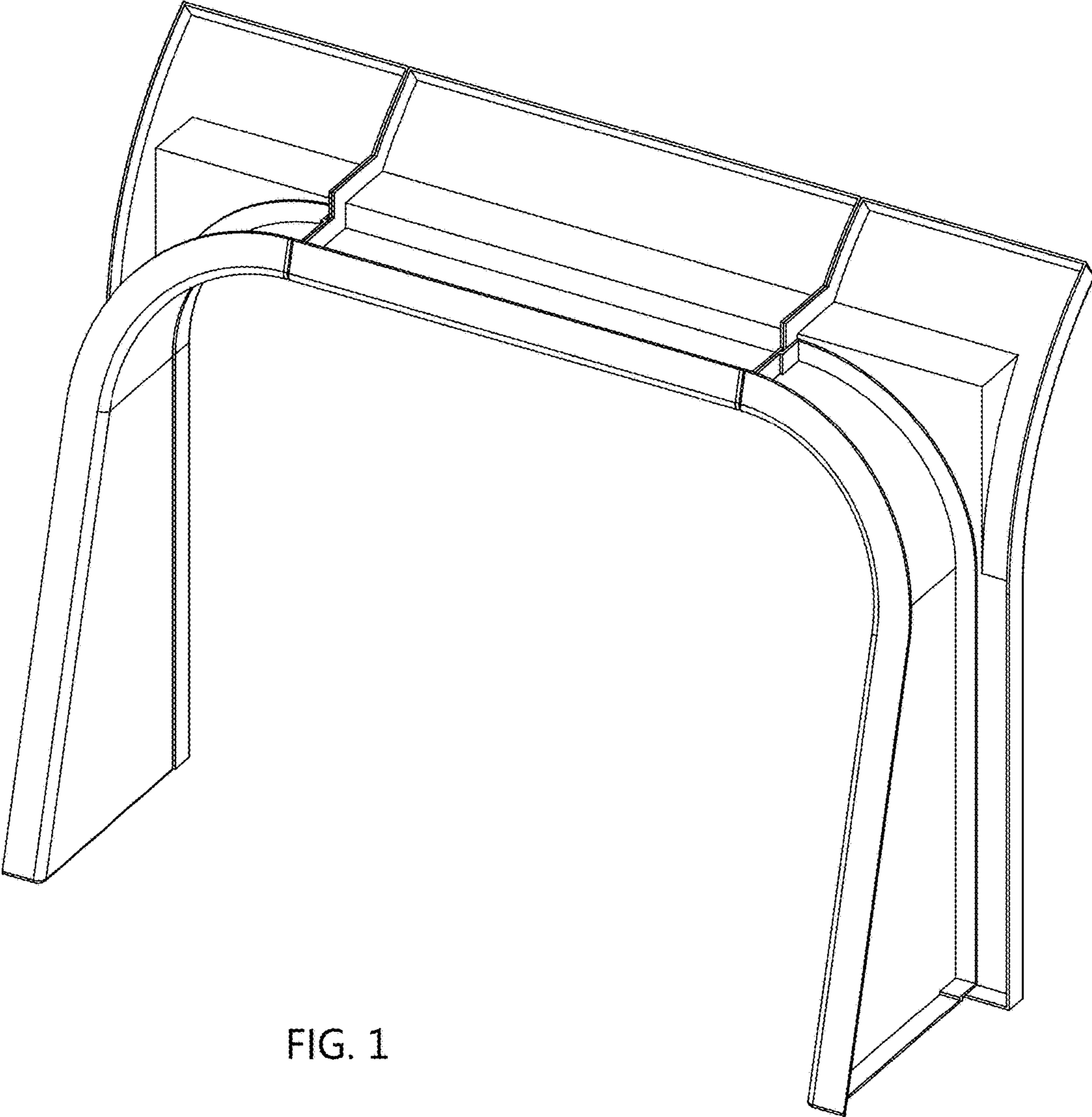


FIG. 1

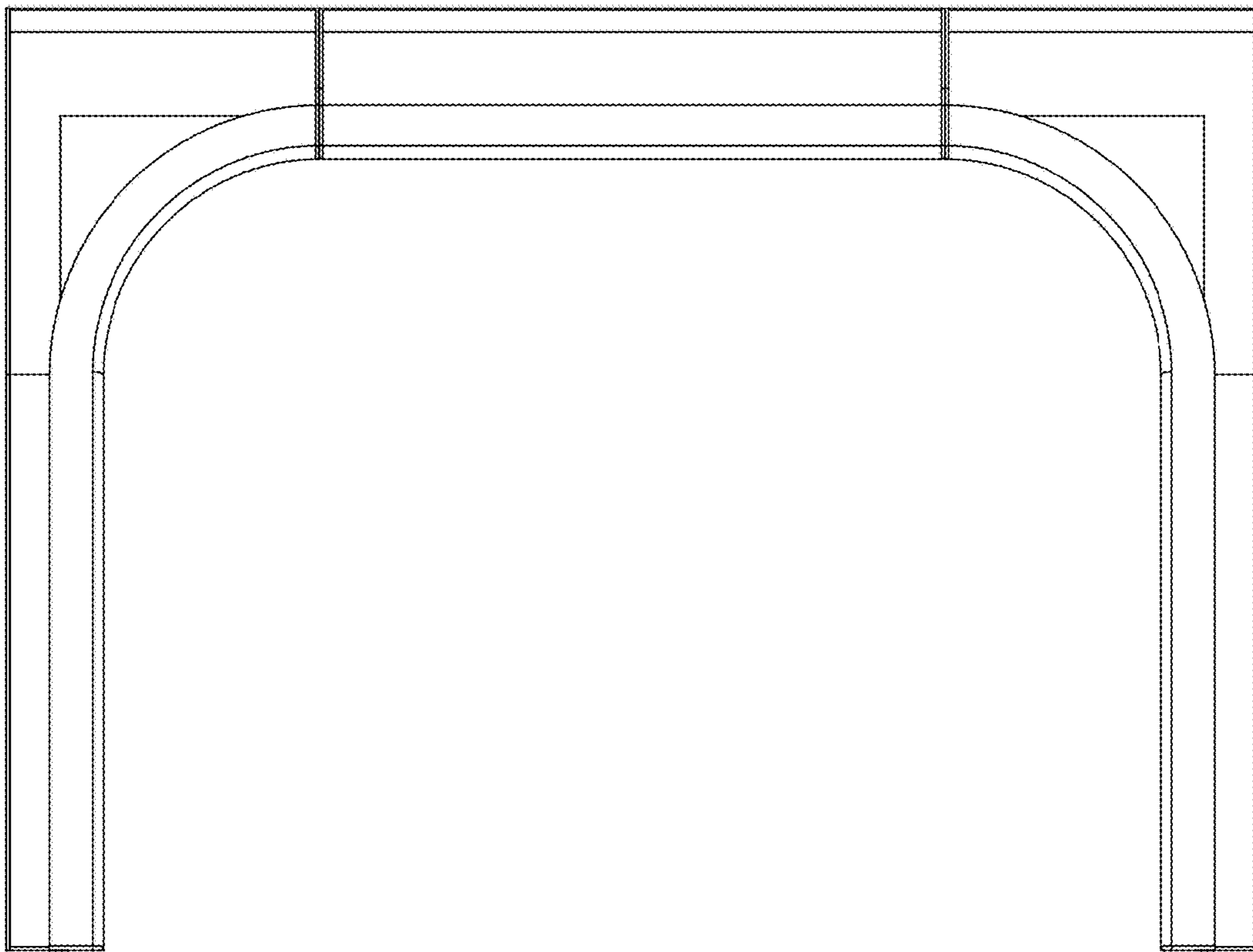


FIG.2

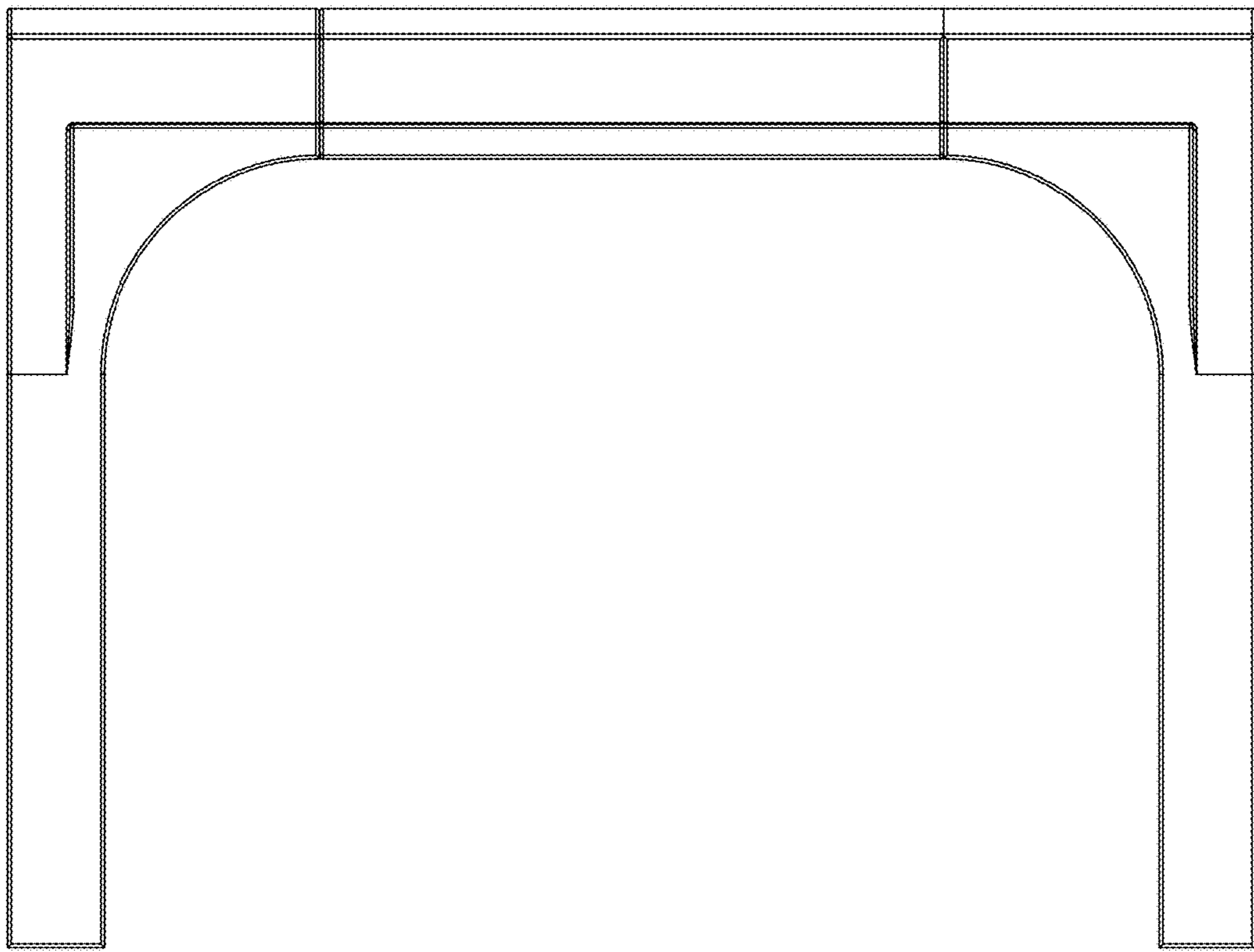


FIG. 3

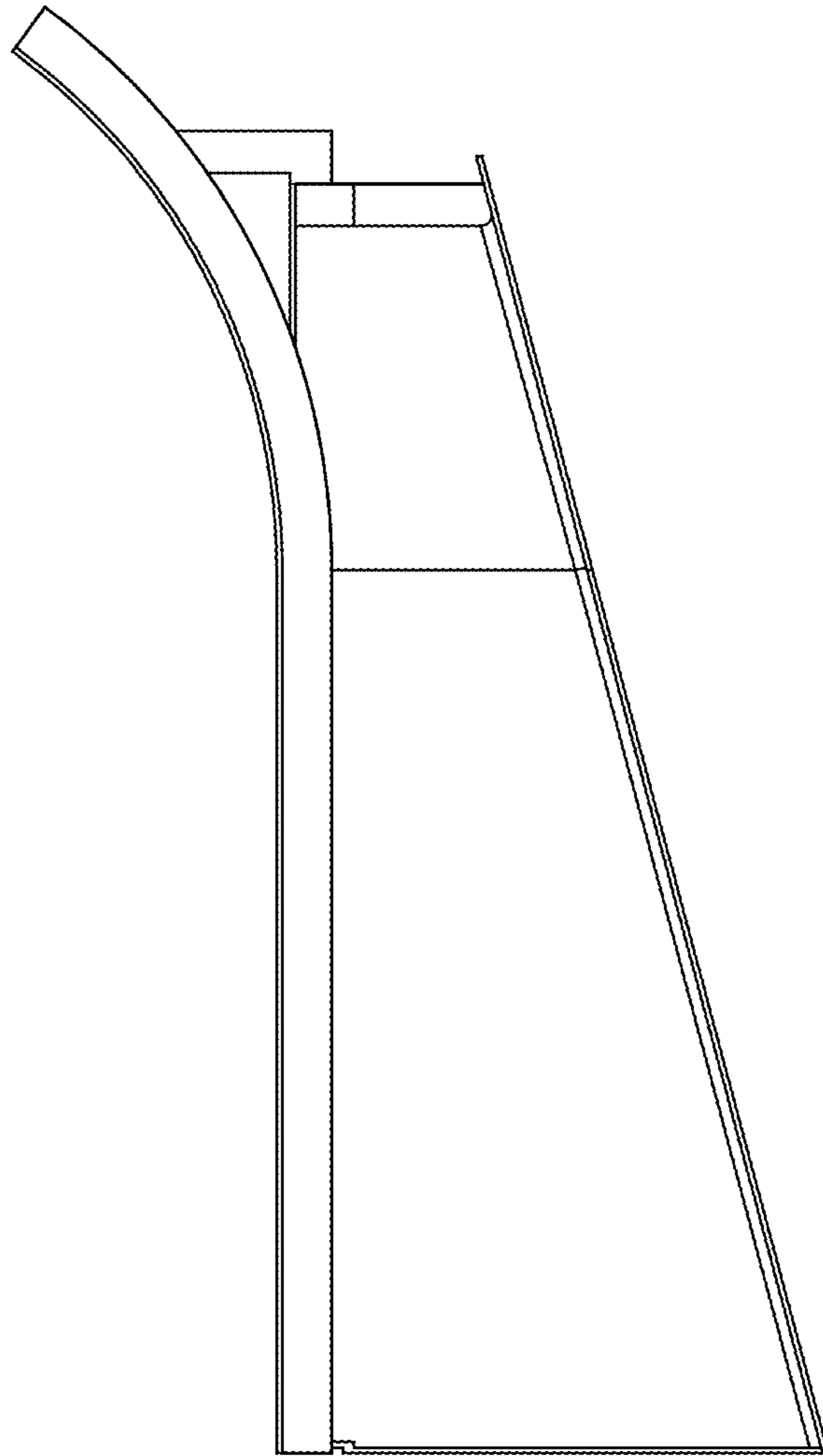


FIG. 4

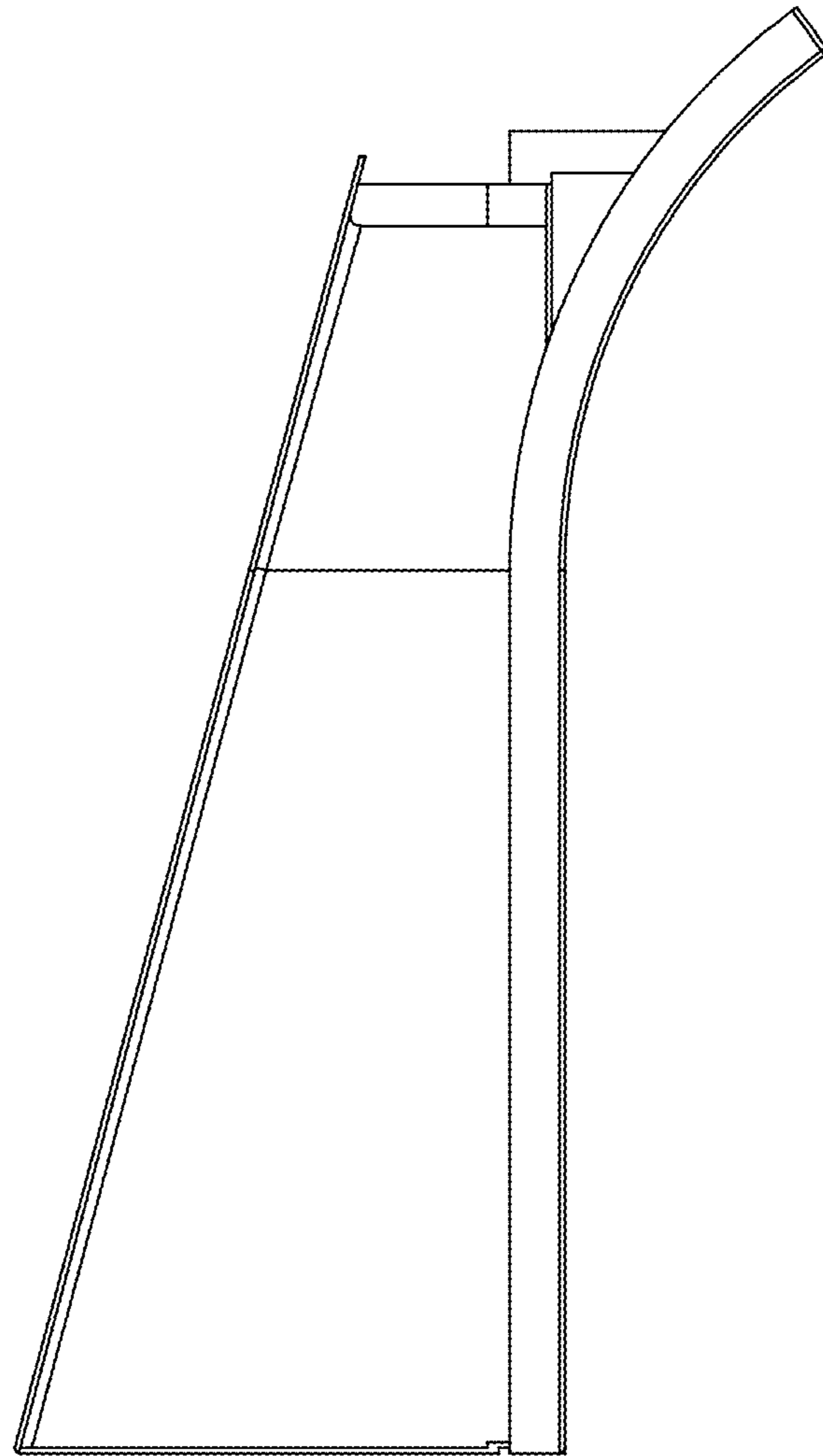


FIG. 5

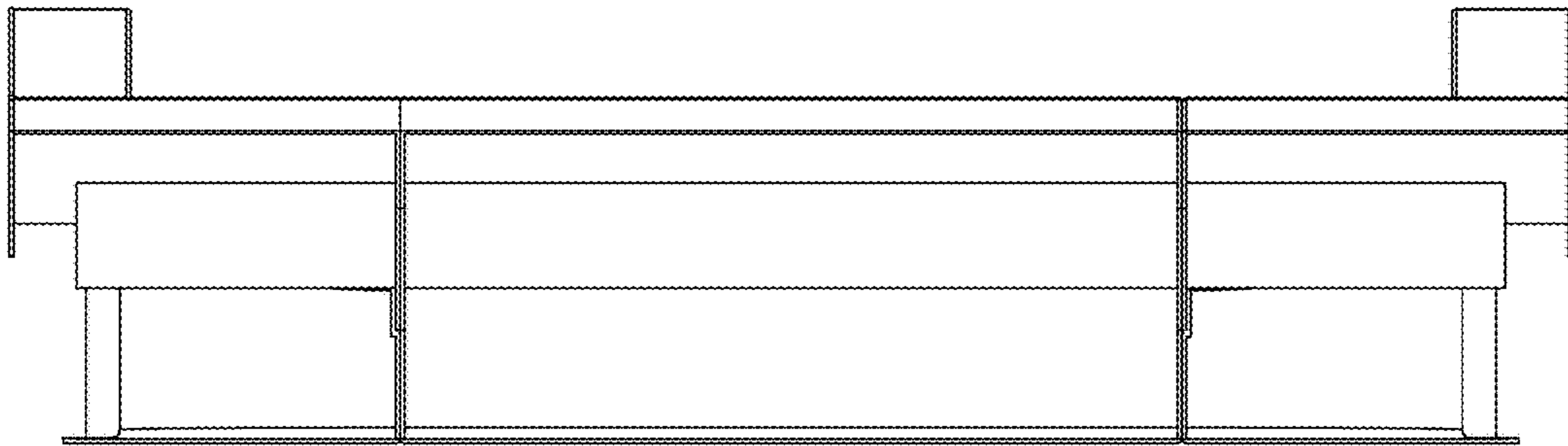


FIG. 6



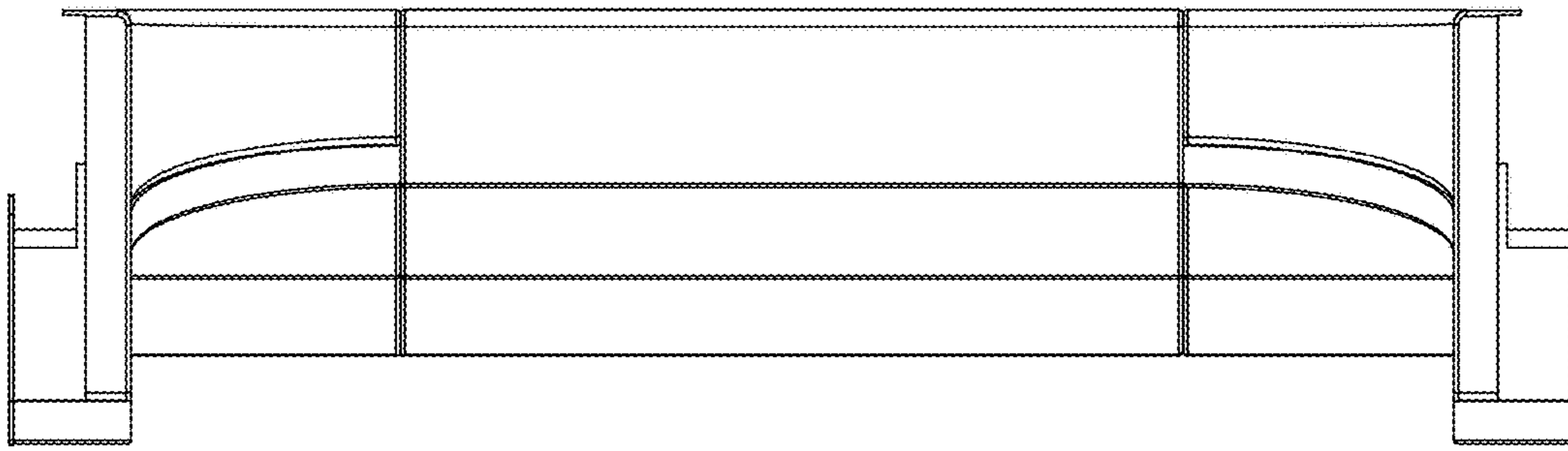


FIG. 7

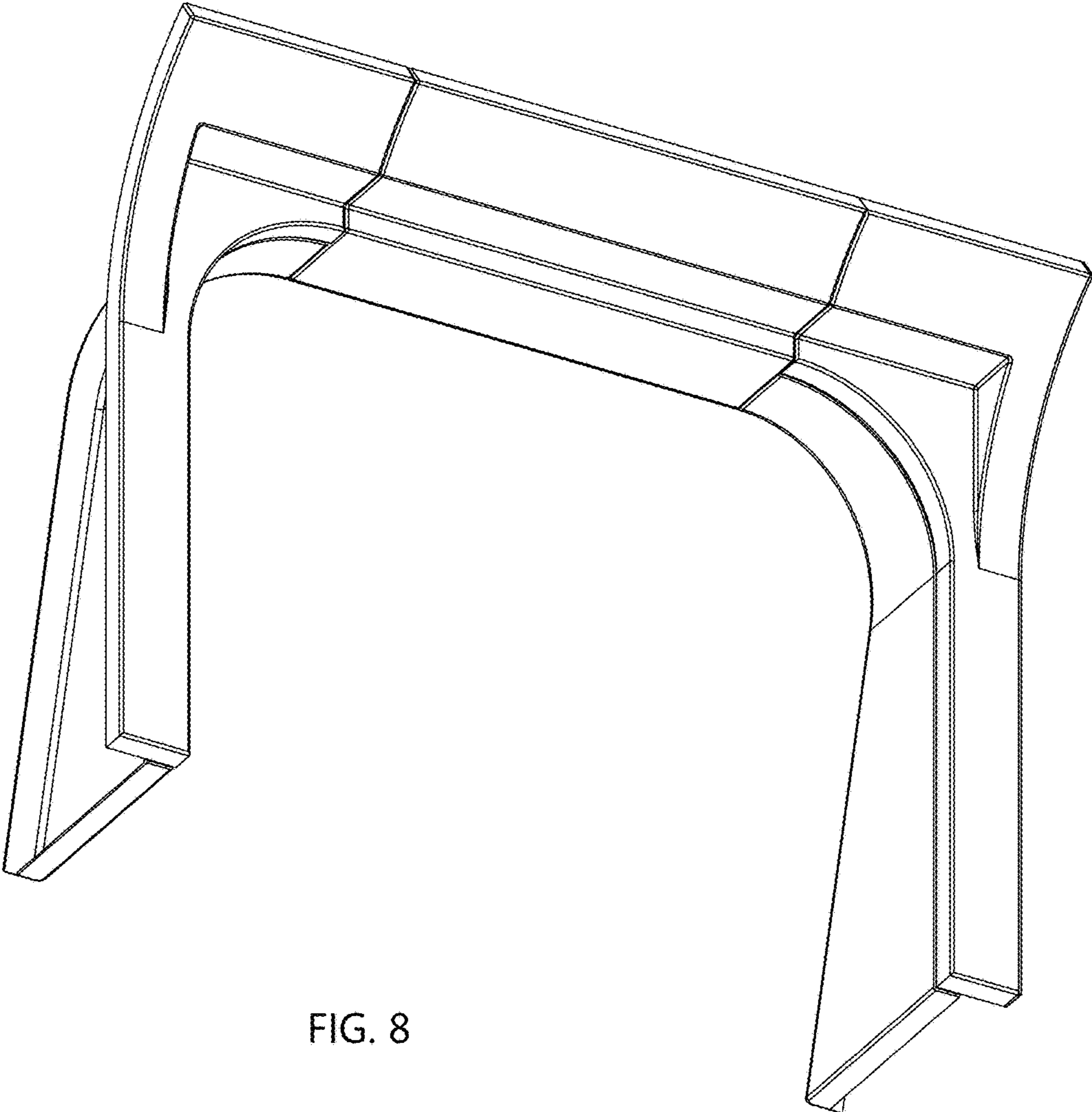


FIG. 8