



US00D794827S

(12) **United States Design Patent**
Tel-Oren et al.

(10) **Patent No.:** **US D794,827 S**
(45) **Date of Patent:** **** Aug. 15, 2017**

- (54) **MODULAR ELONGATE BUILDING**
- (71) Applicant: **Biotekt USA LLC**, Colfax, WI (US)
- (72) Inventors: **Adiel Tel-Oren**, Colfax, WI (US);
Manuel Lago Granger, Cali (CO)
- (73) Assignee: **BIOTEKT USA, LLC**, Colfax, WI (US)
- (**) Term: **15 Years**
- (21) Appl. No.: **29/562,403**
- (22) Filed: **Apr. 26, 2016**
- (51) **LOC (10) Cl.** **25-03**
- (52) **U.S. Cl.**
USPC **D25/18**
- (58) **Field of Classification Search**
USPC D25/17, 18, 32, 36, 55, 61, 123, 199
CPC .. E04B 1/3205; E04B 1/3211; E04B 1/34315;
E04D 13/15; E04F 19/02
See application file for complete search history.

(56) **References Cited**

U.S. PATENT DOCUMENTS

- 3,802,133 A * 4/1974 Gregory E04B 1/3205
135/97
- 3,828,492 A * 8/1974 Schliemann E04C 2/32
52/245
- 3,943,672 A * 3/1976 O'Sheeran E04B 1/28
52/73
- 3,968,604 A * 7/1976 Hills E04L 31/3205
52/745.07
- 4,011,697 A * 3/1977 Fedolfi E04B 1/24
52/745.01
- 4,221,100 A * 9/1980 Lindblad E04B 1/3205
52/745.07
- 4,653,238 A * 3/1987 Berman E04B 1/18
52/236.2

- 4,655,013 A * 4/1987 Ritland E04B 1/14
52/127.9
- 4,700,514 A * 10/1987 Reineman E04B 1/3205
52/80.1
- 4,848,048 A * 7/1989 Mairlot A01G 9/1476
52/222
- 4,876,828 A * 10/1989 Brill E04B 1/3205
52/222

(Continued)

FOREIGN PATENT DOCUMENTS

CO 29874 12/2013

Primary Examiner — Manpreet S Matharu

Assistant Examiner — Suzanne E Tisdell

(74) *Attorney, Agent, or Firm* — Dietz Law Office LLC

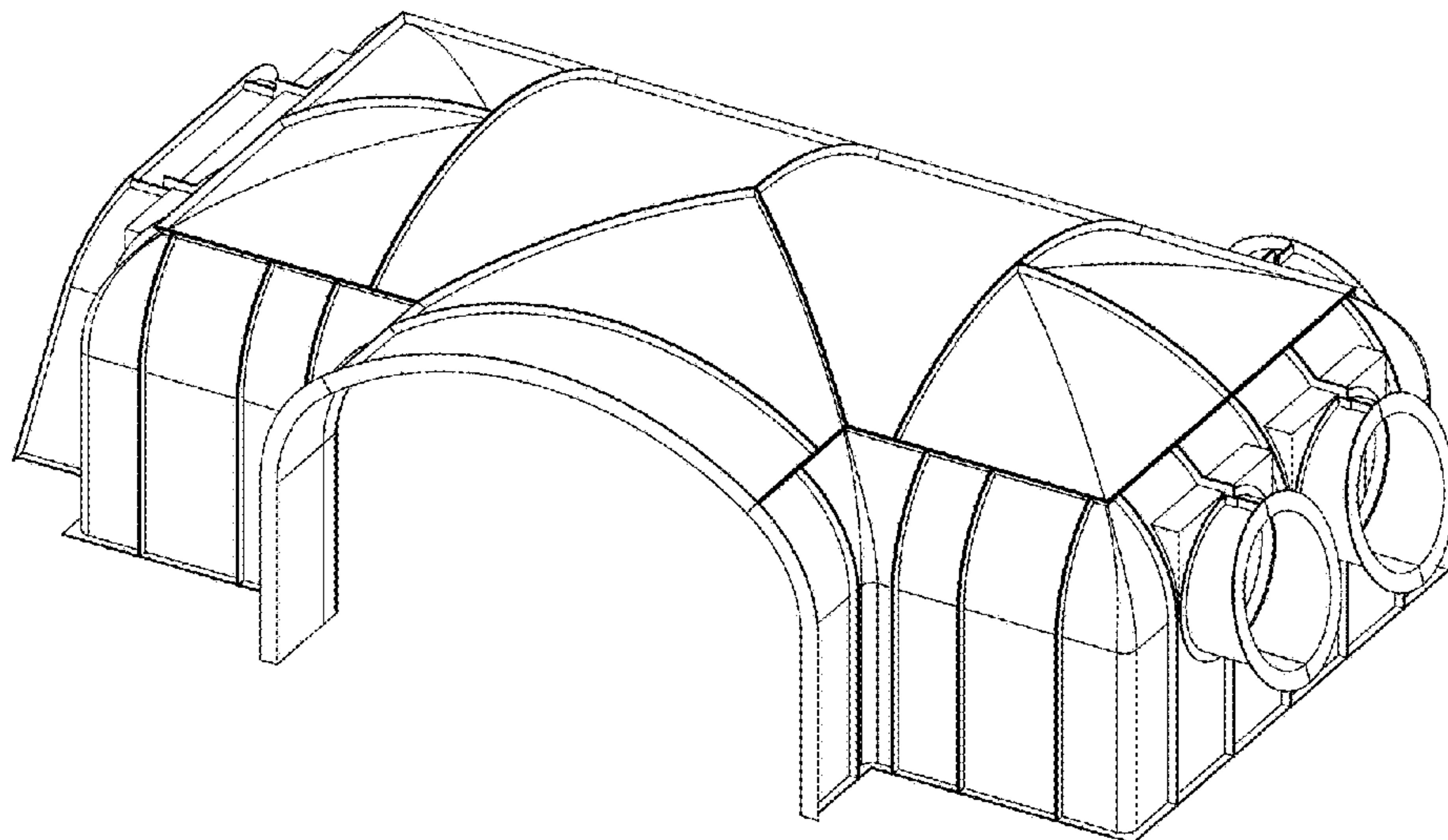
(57) **CLAIM**

The ornamental design for a modular elongate building, as shown and described.

DESCRIPTION

FIG. 1 is a front upper perspective view of the modular elongate building of the present invention;
 FIG. 2 is a front elevational view of the modular elongate building of the present invention shown in FIG. 1;
 FIG. 3 is a back elevational view of the modular building elongate building of the present invention shown in FIG. 1;
 FIG. 4 is a left side elevational view of the modular elongate building of the present invention shown in FIG. 1;
 FIG. 5 is a right side elevational view of the modular elongate building of the present invention shown in FIG. 1;
 FIG. 6 is a top plan view of the modular elongate building of the present invention shown in FIG. 1;
 FIG. 7 is a bottom plan view of the modular elongate building of the present invention shown in FIG. 1; and,
 FIG. 8 is a back lower perspective view of the modular elongate building of the present invention shown in FIG. 1.

1 Claim, 8 Drawing Sheets



(56)

References Cited

U.S. PATENT DOCUMENTS

4,885,879	A *	12/1989	Plantier	E01F 7/02 52/299	D659,851	S *	5/2012	Vanleysen	D25/18
4,894,962	A *	1/1990	Conn	E04B 1/3205 52/108	D683,048	S	5/2013	Yoder et al.	
5,233,799	A *	8/1993	Abukawa	B21D 5/08 52/53	D683,415	S *	5/2013	Yurianto	D21/839
D430,306	S *	8/2000	Goldwitz	D25/61	D683,469	S	5/2013	Yoder et al.	
D432,683	S *	10/2000	Ullrich	D25/135	D708,348	S	7/2014	Yoder et al.	
6,161,342	A *	12/2000	Barbier	E02D 29/05 405/124	D708,349	S	7/2014	Yoder et al.	
6,243,994	B1 *	6/2001	Bernini	E02D 29/045 14/26	D727,531	S	4/2015	Gill et al.	
6,434,891	B1 *	8/2002	Cameron	E04B 1/3205 52/86	9,021,750	B1 *	5/2015	Matulin	E04B 1/34321 52/79.4
D582,054	S *	12/2008	Moller	D25/199	D771,477	S *	11/2016	Anderson	D25/121
D588,715	S *	3/2009	Funk	D25/121	D785,204	S *	4/2017	Koo	D25/61
					2004/0031210	A1 *	2/2004	Kjorsvik	E04F 19/02 52/58
					2007/0289228	A1 *	12/2007	Key	E04B 1/3205 52/86
					2008/0060284	A1 *	3/2008	Barry	E04B 1/3211 52/80.1
					2014/0259995	A1 *	9/2014	White	A01G 9/16 52/173.1

* cited by examiner

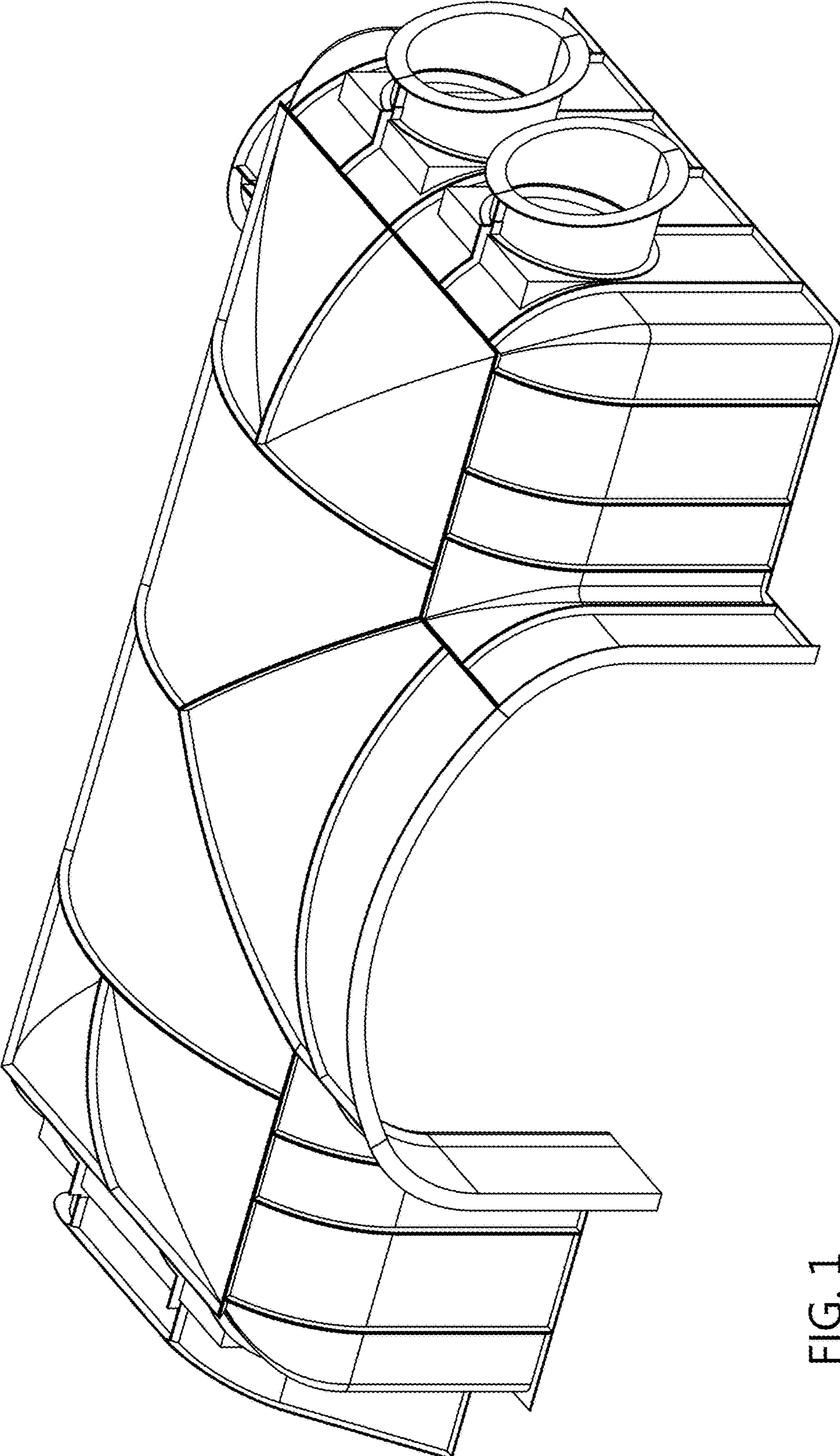


FIG. 1

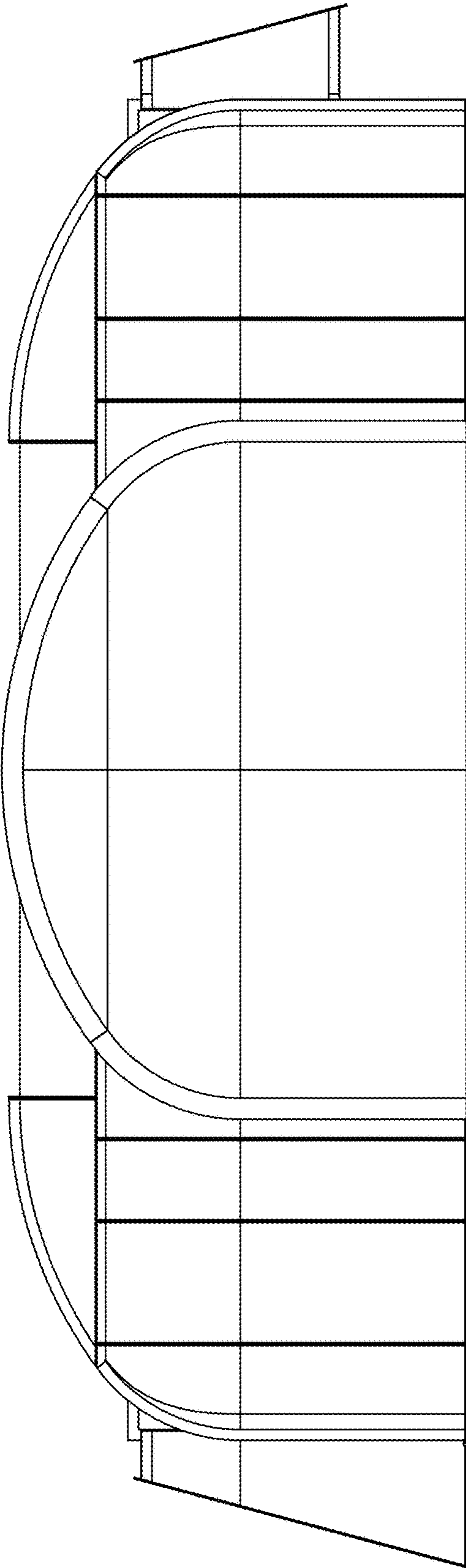


FIG. 2

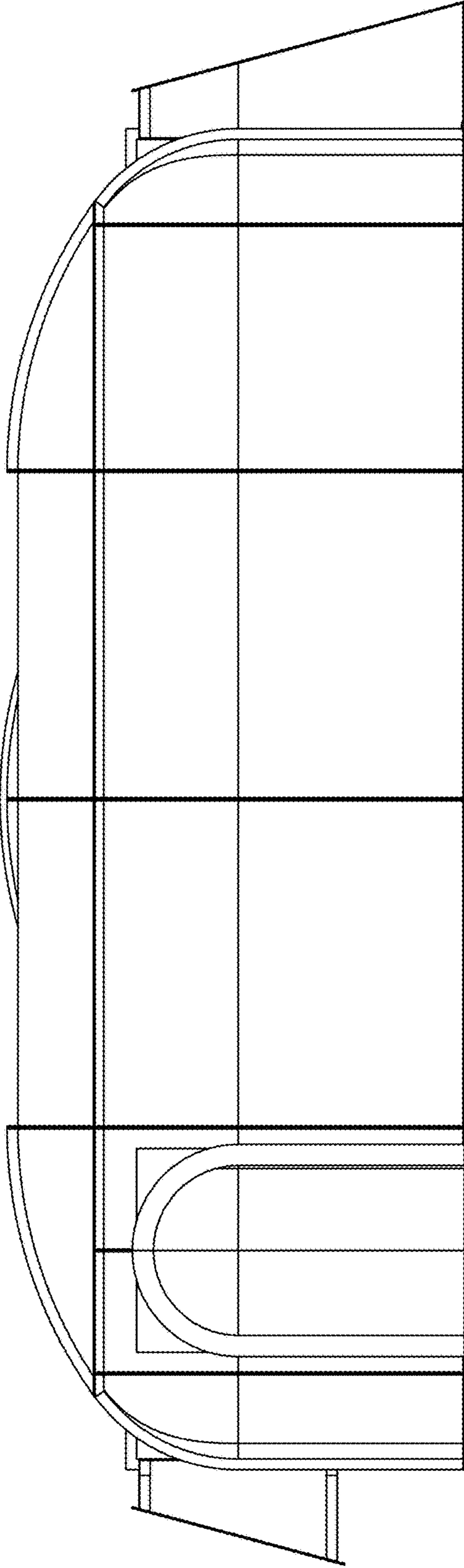


FIG. 3

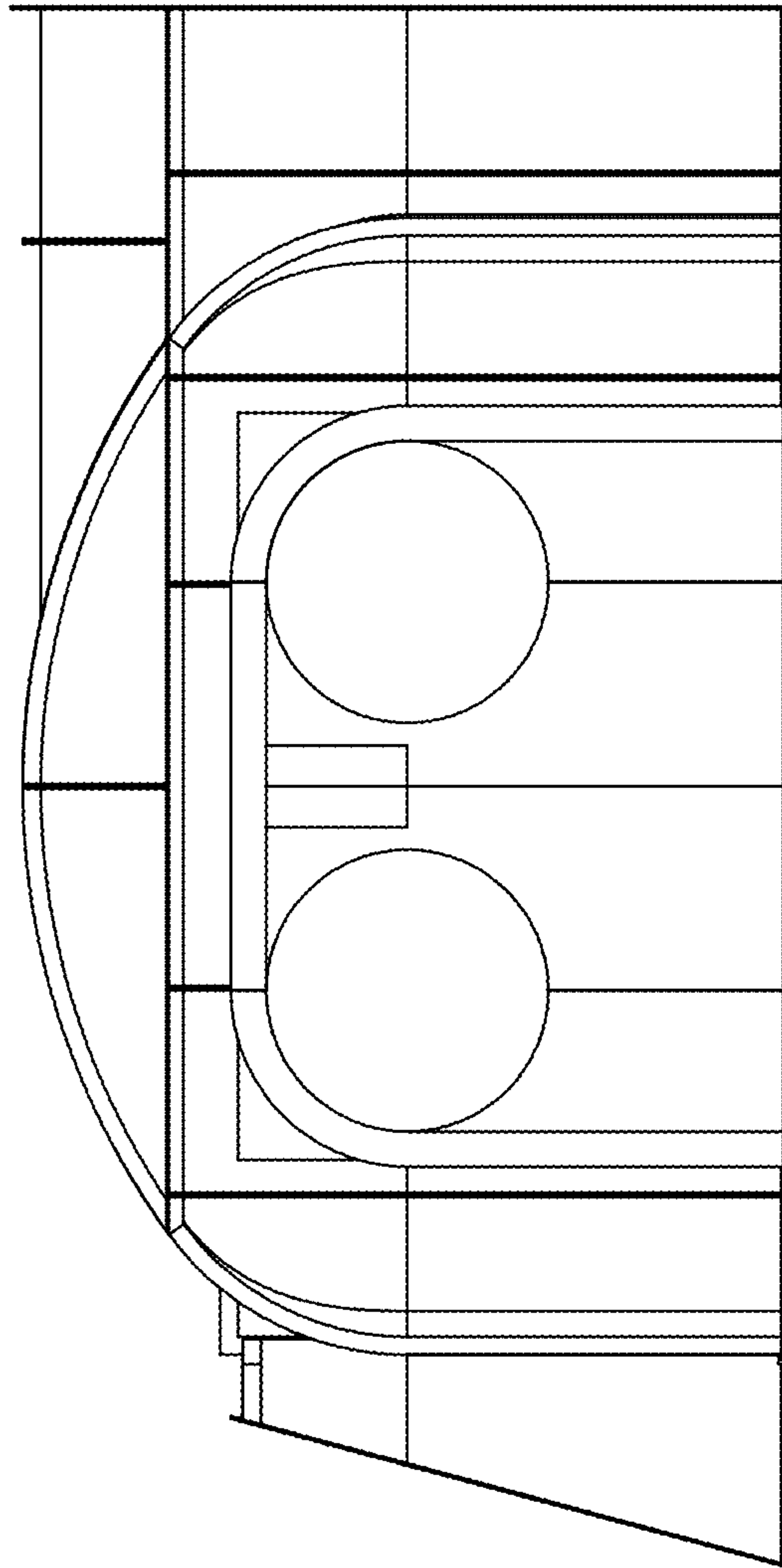


FIG. 4

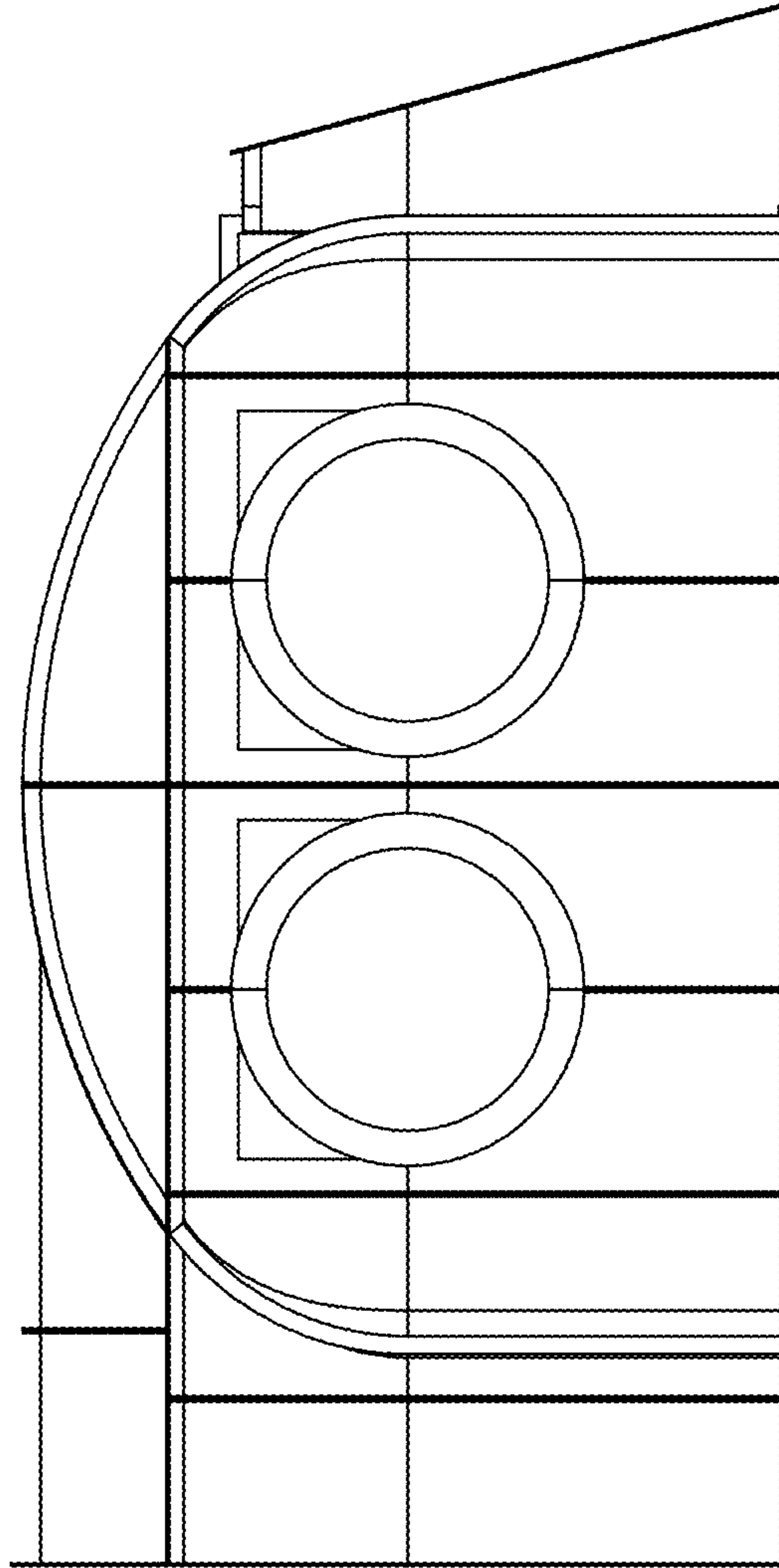


FIG. 5

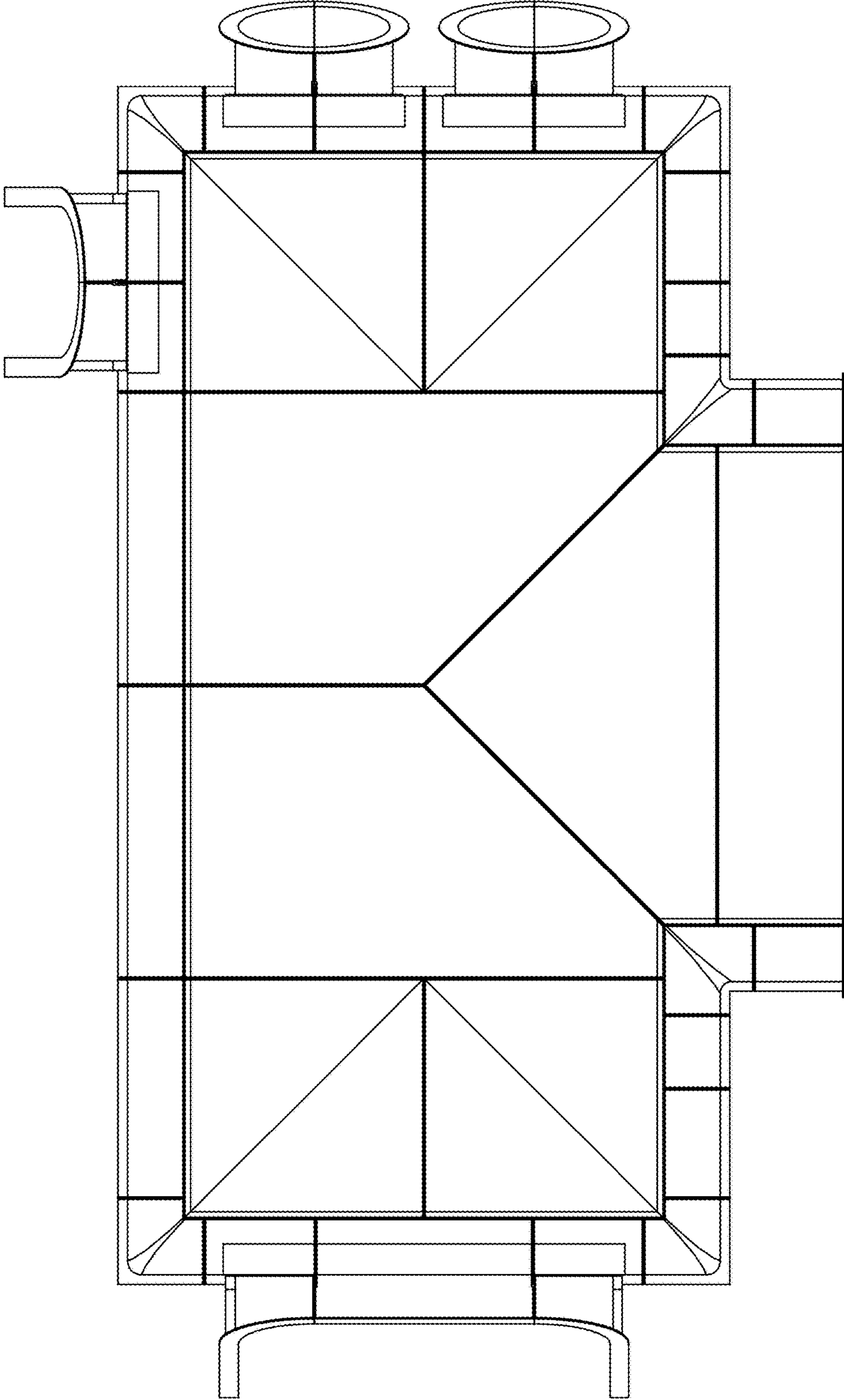


FIG. 6

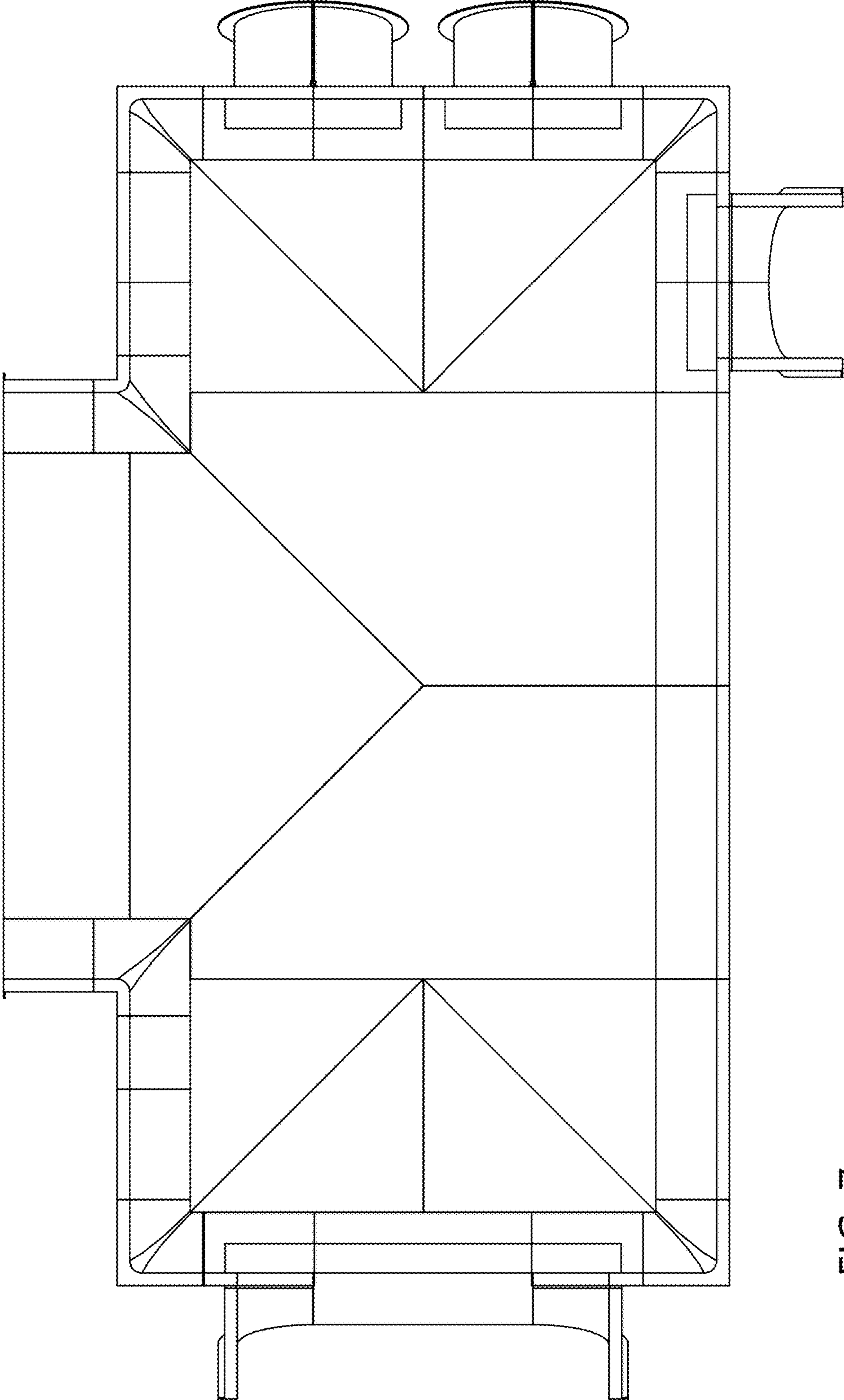


FIG. 7

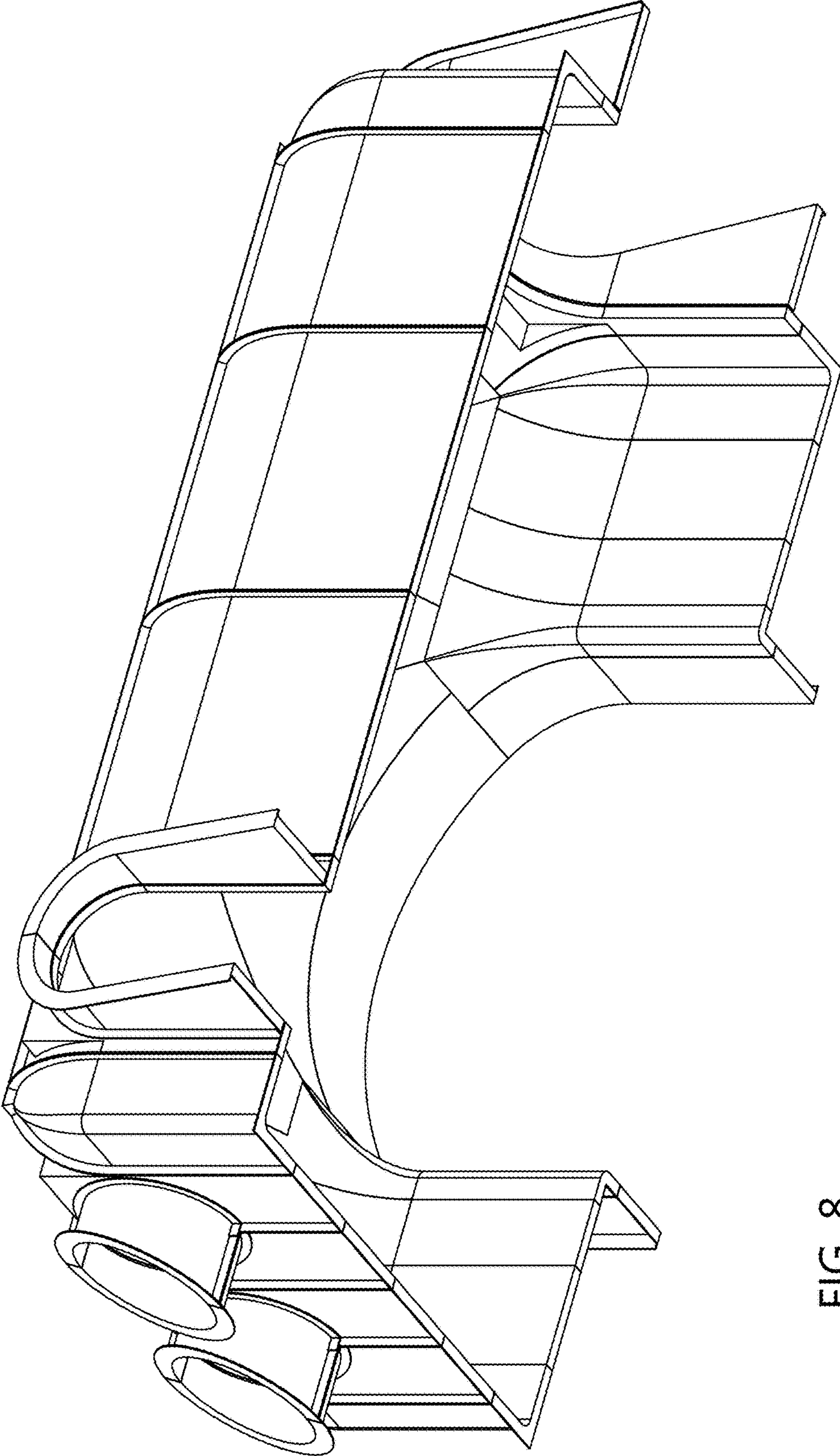


FIG. 8