



US00D794823S

(12) **United States Design Patent**
Nelson et al.

(10) **Patent No.:** **US D794,823 S**
(45) **Date of Patent:** **** Aug. 15, 2017**

(54) **ELECTROPHORESIS TANK WITH A BASE AND CASSETTE INSERTED IN**

FOREIGN PATENT DOCUMENTS

(71) Applicant: **LIFE TECHNOLOGIES CORPORATION**, Carlsbad, CA (US)

EP 2470891 12/2014
WO 98/25136 6/1998

(Continued)

(72) Inventors: **Paul Nelson**, Encinitas, CA (US);
Syrus Jaffe, Carlsbad, CA (US);
Shimon Spector, Matan (IL)

OTHER PUBLICATIONS

Bio-Rad Laboratories, "Automating electrophoresis with the new Experion (TM) System", *BioRadiations*, vol. 115, Jan. 1, 2005, 2-3.

(Continued)

(73) Assignee: **LIFE TECHNOLOGIES CORPORATION**, Carlsbad, CA (US)

(**) Term: **14 Years**

Primary Examiner — Wan Laymon

(21) Appl. No.: **29/518,256**

(57) **CLAIM**

(22) Filed: **Feb. 20, 2015**

The ornamental design for electrophoresis tank with a base and cassette inserted in, as shown and described.

Related U.S. Application Data

DESCRIPTION

(60) Continuation-in-part of application No. 29/468,460, filed on Sep. 30, 2013, now abandoned, which is a division of application No. 29/423,588, filed on Jun. 1, 2012, now Pat. No. Des. 698,037, which is a continuation of application No. 12/862,333, filed on Aug. 24, 2010, now abandoned, which is a continuation-in-part of application No. 12/862,460, (Continued)

FIG. 1 is a front, top and side perspective view of an electrophoresis tank with a base and cassette inserted in, according to our design;
FIG. 2 is a front view of the electrophoresis tank with a base and cassette inserted in of FIG. 1;
FIG. 3 is a back view of the electrophoresis tank with a base and cassette inserted in of FIG. 1;
FIG. 4 is a right side view of the electrophoresis tank with a base and cassette inserted in of FIG. 1;
FIG. 5 is a left side view of the electrophoresis tank with a base and cassette inserted in of FIG. 1;
FIG. 6 is a top view of the electrophoresis tank with a base and cassette inserted in of FIG. 1; and,
FIG. 7 is a bottom view of the electrophoresis tank with a base and cassette inserted in of FIG. 1.
The broken lines shown in the drawing views are included for the purpose of illustrating portions of the design that form no part of the claimed design.

(51) **LOC (10) Cl.** **24-01**

(52) **U.S. Cl.**
USPC **D24/233**

(58) **Field of Classification Search**
USPC D24/231-233, 216, 224, 227
CPC G01N 27/44704; G01N 27/44756; G01N 27/44747; C07K 1/26
See application file for complete search history.

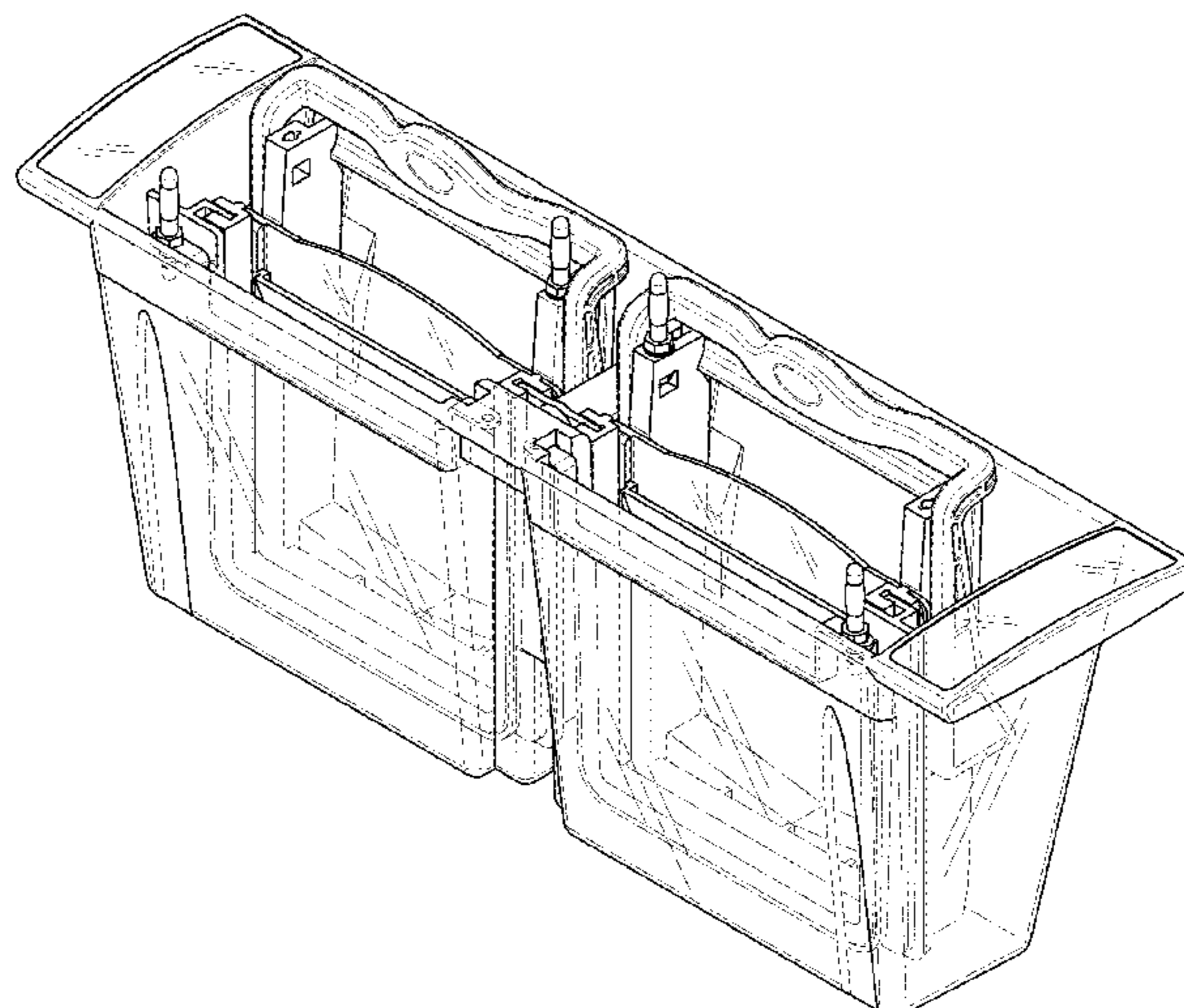
(56) **References Cited**

U.S. PATENT DOCUMENTS

3,620,947 A 11/1971 Allen et al.
D231,609 S 5/1974 Broek et al.

(Continued)

1 Claim, 6 Drawing Sheets



Related U.S. Application Data

filed on Aug. 24, 2010, now abandoned, application No. 29/423,588, filed on Jun. 1, 2012, which is a continuation of application No. 29/388,827, filed on Apr. 1, 2011, now Pat. No. Des. 667,134.

(56)

References Cited

U.S. PATENT DOCUMENTS

3,888,758 A * 6/1975 Saeed G01N 27/44756
204/613

4,164,464 A 8/1979 Allington et al.

D269,123 S * 5/1983 Hoefler D24/233

D282,352 S 1/1986 Hoefler et al.

4,574,040 A 3/1986 Delony et al.

4,608,146 A 8/1986 Penaluna

4,772,373 A 9/1988 Ebata et al.

4,773,984 A 9/1988 Flesher et al.

4,810,348 A 3/1989 Sarrine et al.

4,830,725 A 5/1989 Berninger et al.

D303,007 S 8/1989 Flesher et al.

D315,951 S 4/1991 Berninger et al.

D315,952 S 4/1991 Berninger et al.

5,147,522 A 9/1992 Sarrine et al.

5,284,565 A 2/1994 Chu et al.

5,318,682 A 6/1994 Singer

5,460,709 A 10/1995 Sarrine et al.

5,626,735 A 5/1997 Chu et al.

5,627,022 A 5/1997 Renfrew et al.

5,632,877 A 5/1997 Van Atta

5,656,145 A 8/1997 Nguyen et al.

5,685,967 A 11/1997 Manis et al.

5,717,602 A 2/1998 Kenning

5,785,835 A 7/1998 Saito et al.

5,799,773 A 9/1998 Heffelfinger et al.

5,800,691 A 9/1998 Kozulic

5,891,314 A 4/1999 Heffelfinger et al.

5,897,760 A 4/1999 Heffelfinger et al.

5,949,899 A 9/1999 Ng

5,951,838 A 9/1999 Heffelfinger et al.

5,993,628 A 11/1999 Selby et al.

6,001,233 A * 12/1999 Levy G01N 27/44704
204/618

6,063,250 A 5/2000 Becker et al.

6,068,754 A 5/2000 Koh

RE36,826 E 8/2000 Fujimiya et al.

D430,304 S 8/2000 Oonuma et al.

6,139,709 A 10/2000 Scott

6,162,342 A 12/2000 Perez et al.

6,231,813 B1 5/2001 Ally et al.

6,298,874 B1 10/2001 Anderson et al.

D505,729 S 5/2005 Lee

D516,733 S 3/2006 Pedraza et al.

D524,948 S 7/2006 Pedraza et al.

D564,378 S 3/2008 Kaushal et al.

D564,924 S 3/2008 Kaushal et al.

7,601,251 B2 10/2009 Rooney

8,092,665 B2 1/2012 Jackson

8,241,477 B2 * 8/2012 Ben-Asouli G01N 27/44704
204/450

D667,134 S 9/2012 Updyke et al.

D698,037 S 1/2014 Nelson et al.

9,097,663 B2 8/2015 Updyke et al.

D757,958 S * 5/2016 Murray D24/233

2002/0079222 A1 6/2002 Sevigny et al.

2003/0157720 A1 8/2003 Li

2003/0168339 A1 9/2003 Audeh et al.

2003/0207271 A1 11/2003 Holwitt et al.

2004/0033591 A1 2/2004 Lubman et al.

2004/0036036 A1 2/2004 Atkinson et al.

2005/0089930 A1 4/2005 Schneider et al.

2005/0103633 A1 5/2005 Tseng

2005/0213093 A1 9/2005 Nordman et al.

2006/0032747 A1 2/2006 Anderson et al.

2006/0176461 A1 8/2006 Sekine

2006/0176481 A1 8/2006 Forest et al.

2007/0045118 A1 3/2007 Maruo et al.

2007/0102298 A1 5/2007 Riveron Rojas et al.

2007/0278102 A1 12/2007 Hayashida et al.

2007/0284250 A1 12/2007 Magnant et al.

2008/0142365 A1 6/2008 Kober et al.

2008/0272002 A1 11/2008 Johansen et al.

2011/0042213 A1 2/2011 Updyke et al.

2011/0042217 A1 2/2011 Updyke et al.

2011/0114487 A1 5/2011 Schmidt et al.

2012/0167383 A1 * 7/2012 Jackson G01N 27/44704
29/825

2012/0247958 A1 10/2012 Updyke et al.

2013/0175172 A1 7/2013 Updyke

FOREIGN PATENT DOCUMENTS

WO 2011/025781 3/2011

WO 2011/028532 3/2011

OTHER PUBLICATIONS

EP10812553.5; Extended European Search Report mailed Jan. 22, 2013, 10 pages.

PCT/US10/46506; International Search Report and Written Opinion mailed Oct. 15, 2010, 12 pages.

PCT/US10/46491; International Search Report and Written Opinion mailed Aug. 24, 2010, 11 pages.

Phywe, "Electrophoresis chamber, Vertical. Product No. 35018-20", <http://www.phywe.com/461/apg/360/pid/27438/Elektrophorese-Kammer,-vertikal-htm>., Feb. 13, 2013.

Sigma-Aldrich Co. LLC, "TV 100 mini vertical electrophoresis unit for pre-case gels", <http://www.sigmaaldrich.com/catalog/product/sigma/z649759?lang=en®ion=US>., Feb. 13, 2013.

* cited by examiner

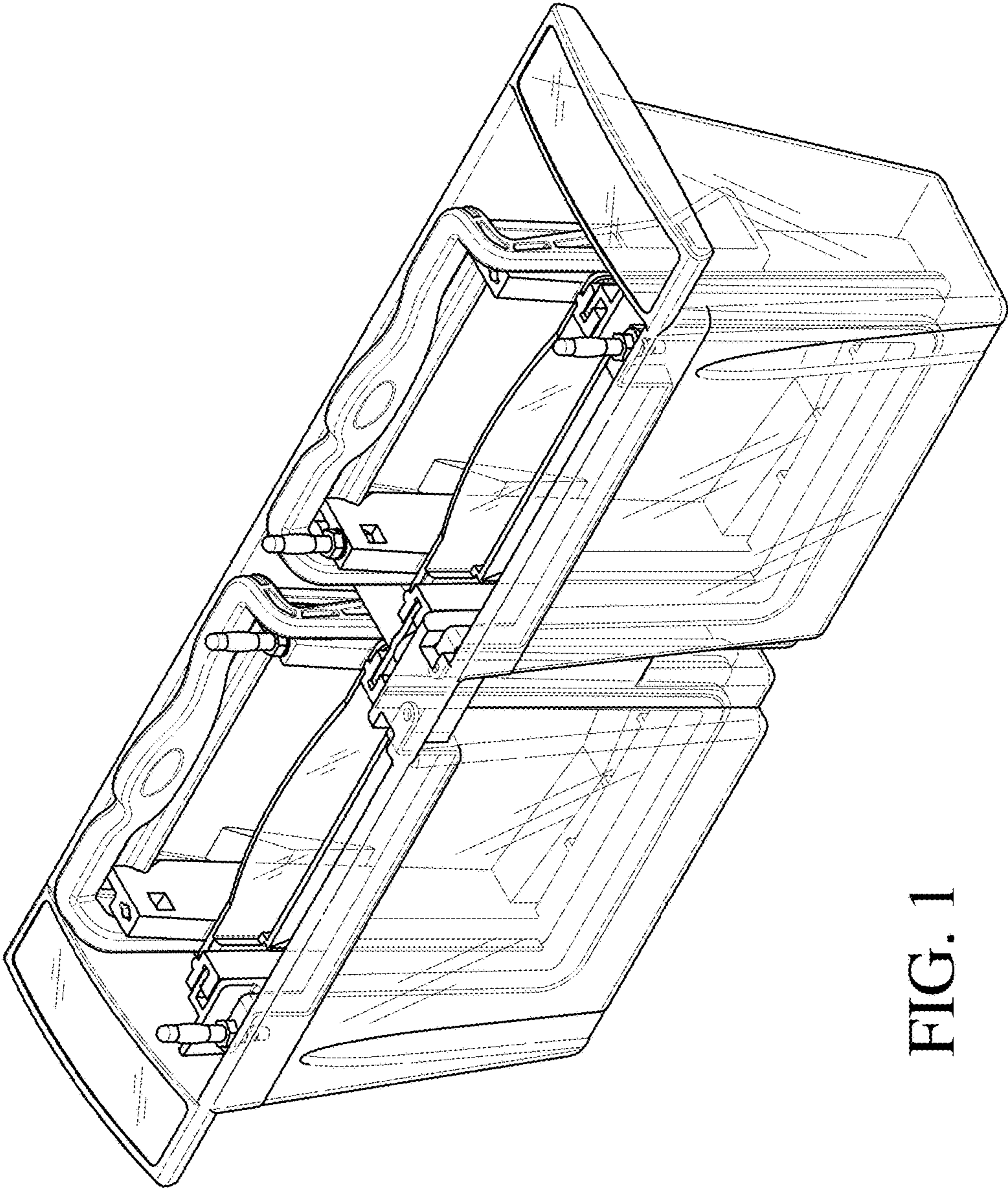


FIG. 1

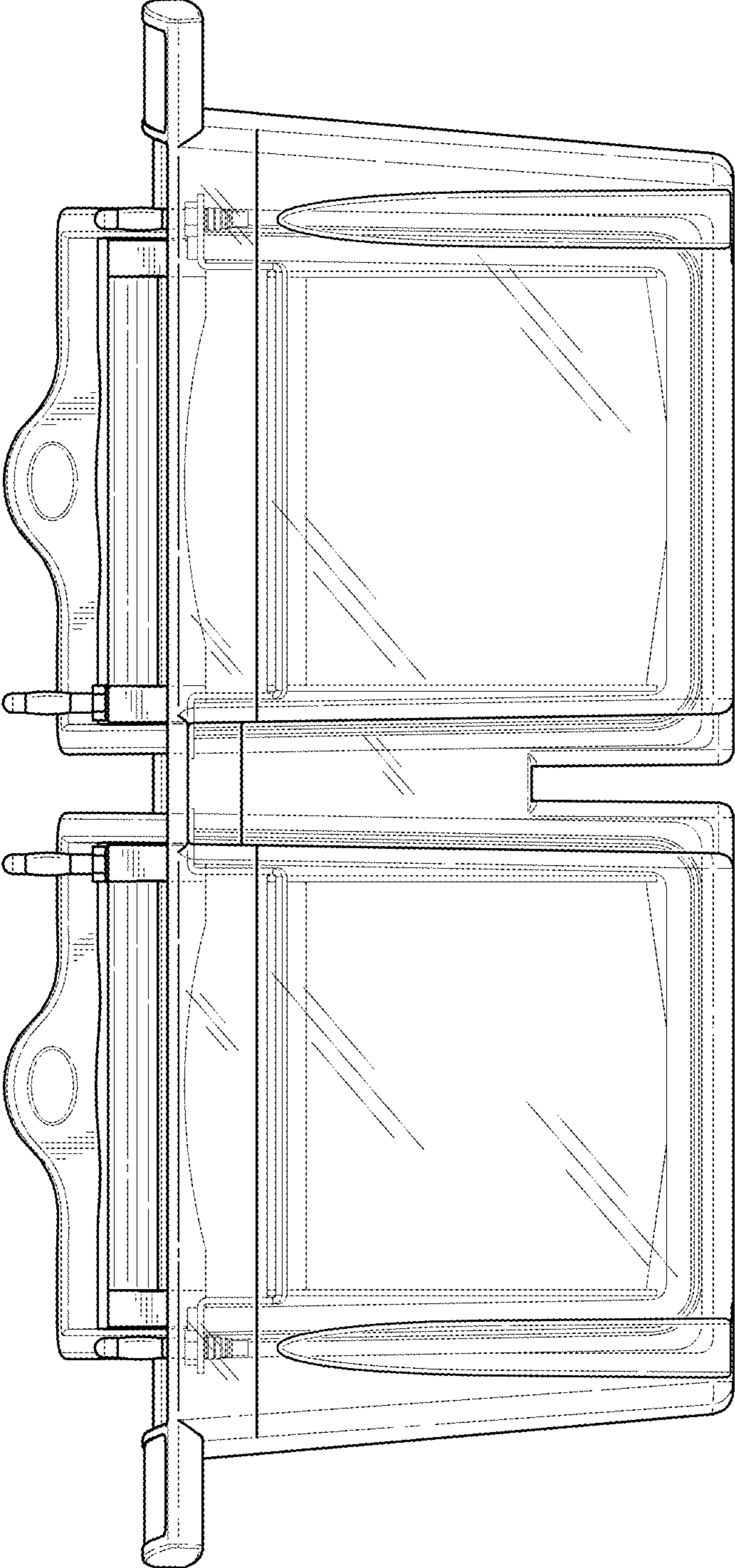


FIG. 2

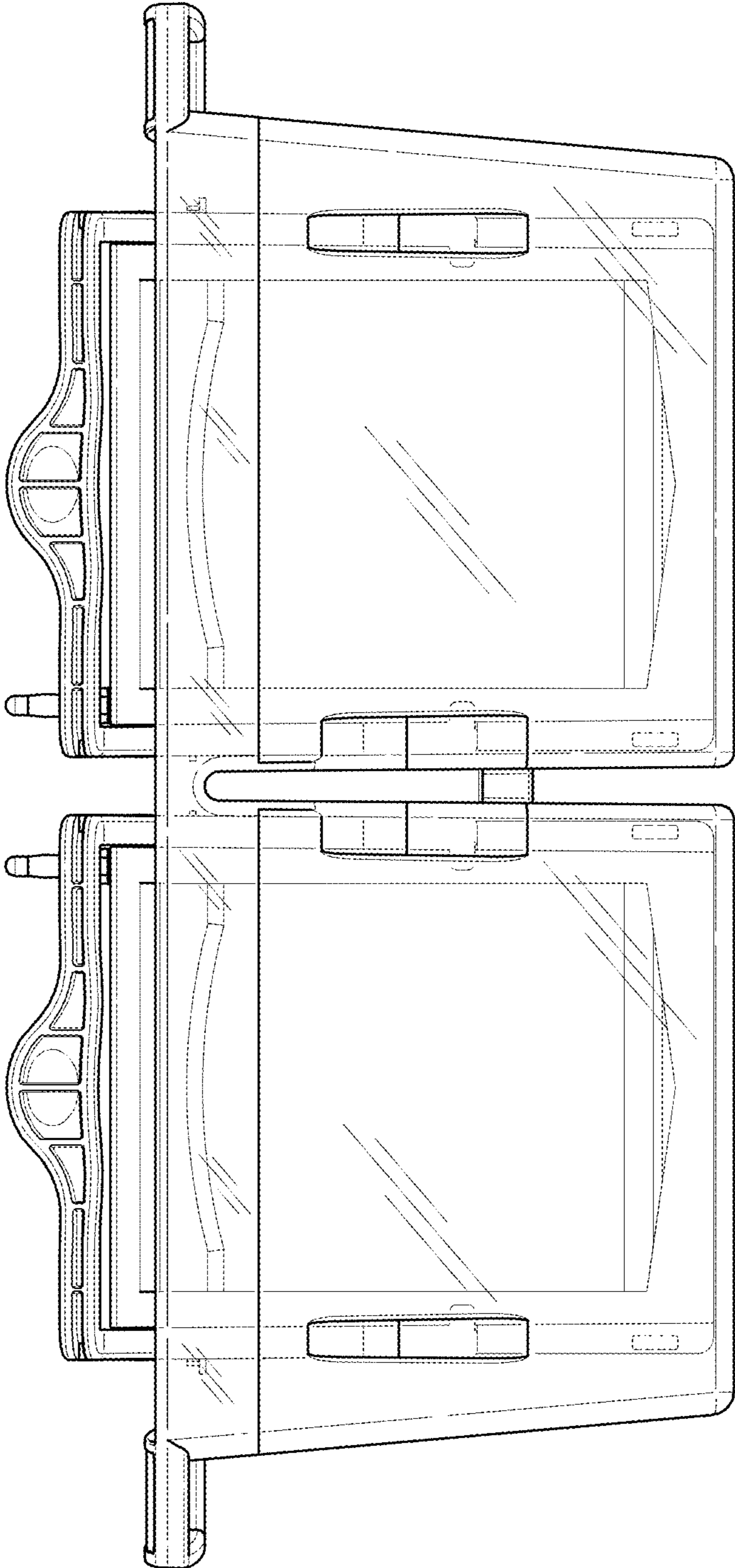


FIG. 3

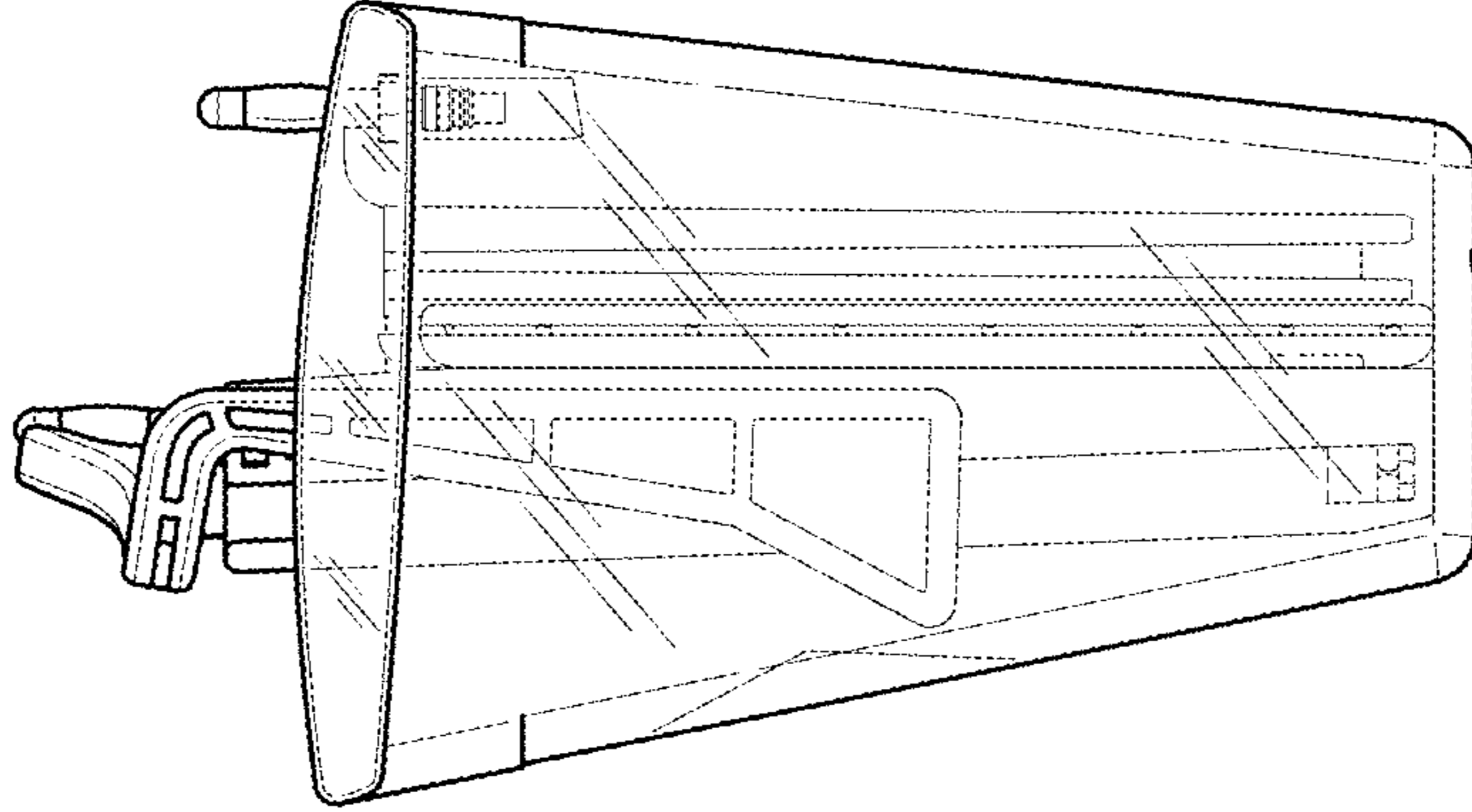


FIG. 5

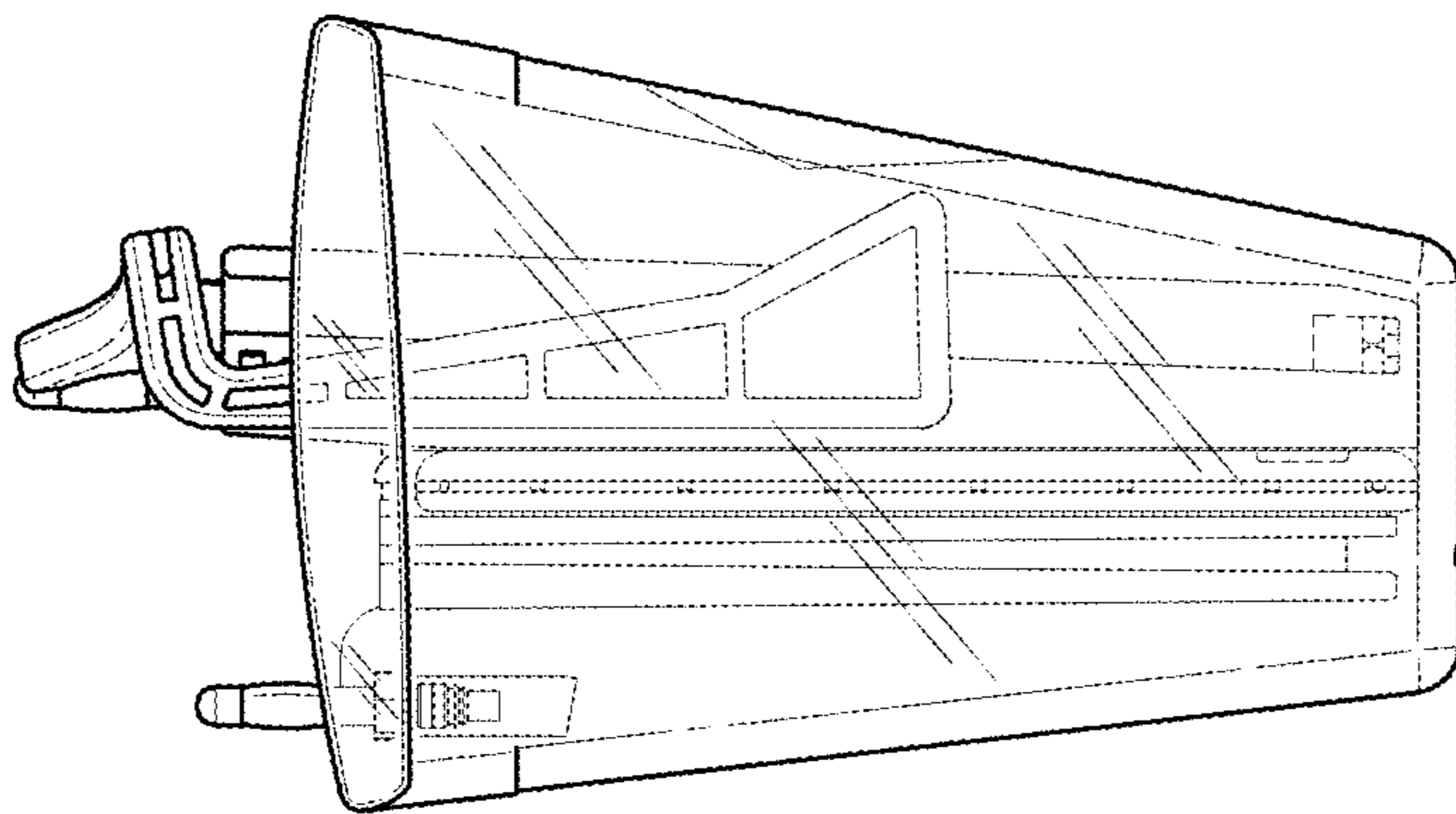


FIG. 4

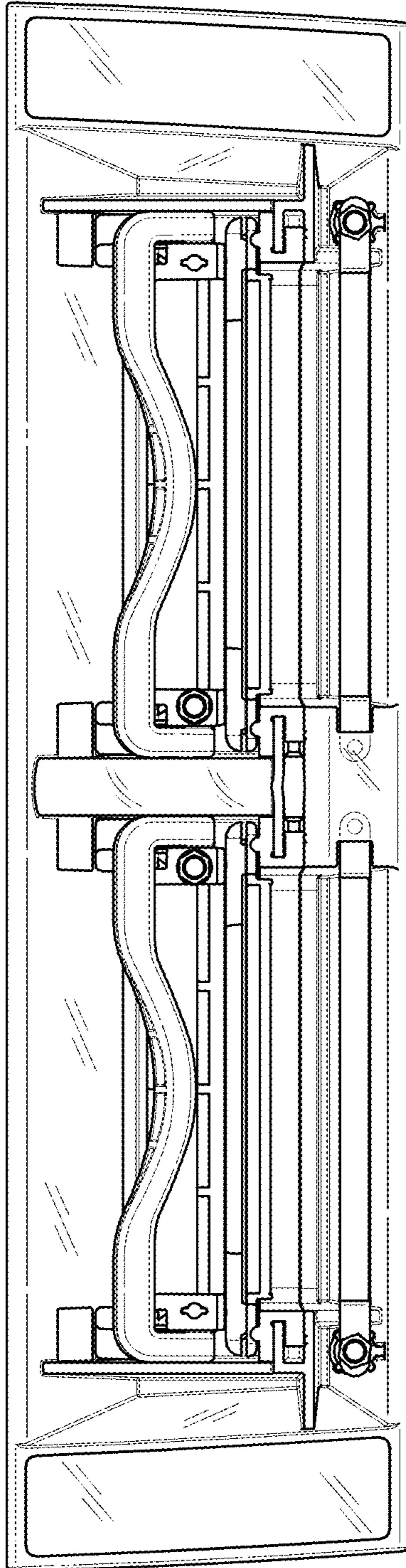


FIG. 6

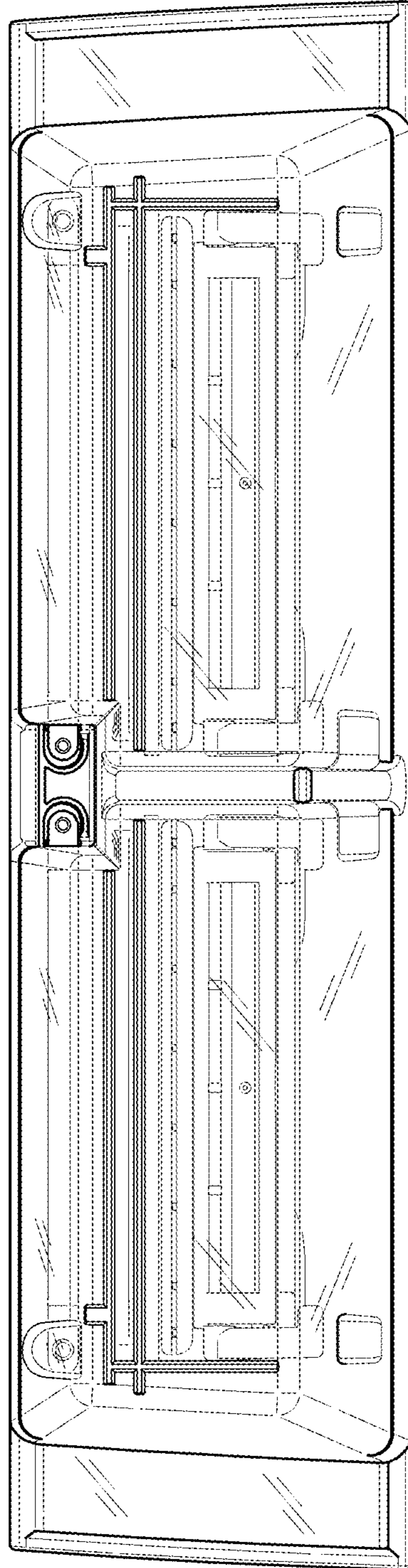


FIG. 7