



US00D794822S

(12) **United States Design Patent** (10) **Patent No.:** **US D794,822 S**
Choudhary (45) **Date of Patent:** **** Aug. 15, 2017**

(54) **STACKABLE BIOREACTOR FOR CELL CULTIVATION**

(71) Applicant: **General Electric Company**

(72) Inventor: **Manish Uddhaorao Choudhary,**
Bangalore (IN)

(73) Assignee: **General Electric Company,**
Schenectady, NY (US)

(**) Term: **15 Years**

(21) Appl. No.: **29/535,258**

(22) Filed: **Aug. 5, 2015**

(30) **Foreign Application Priority Data**

Feb. 5, 2015 (IN) 269332

(51) **LOC (10) Cl.** **24-01**

(52) **U.S. Cl.**
USPC **D24/232**

(58) **Field of Classification Search**
USPC D24/216-219, 231, 232, 233, 107, 169,
D24/186; D10/81
CPC G01N 2035/00306; G01N 2035/00326;
G01N 2035/00336; G01N 30/027; C12M
21/06; C12M 21/10; C12M 29/26; C12M
29/10; C12M 41/12; C12M 41/48; C12Q
1/6844; B01L 7/52

See application file for complete search history.

(56) **References Cited**

U.S. PATENT DOCUMENTS

D358,895 S * 5/1995 Holbl D24/216
5,688,687 A * 11/1997 Palsson C12M 23/42
435/293.2

D686,335 S * 7/2013 Feuerabend D24/216
D691,280 S * 10/2013 Matoba D24/216
D699,609 S * 2/2014 Noda D10/81
D737,459 S * 8/2015 Kurihara D24/232
D740,434 S * 10/2015 Isozaki D24/216
D745,185 S * 12/2015 Kimura D10/81
2009/0269841 A1 * 10/2009 Wojciechowski C12M 29/00
435/325
2011/0003323 A1 * 1/2011 Bargh C12M 23/42
435/29
2014/0255910 A1 * 9/2014 Arnold C12M 41/48
435/3

* cited by examiner

Primary Examiner — Anhdao Doan

(74) *Attorney, Agent, or Firm* — Eversheds Sutherland
(US) LLP

(57) **CLAIM**

The ornamental design for a stackable bioreactor for cell cultivation, as shown and described.

DESCRIPTION

FIG. 1 is a front-side perspective view of an embodiment of a stackable bioreactor for cell cultivation showing my new design.

FIG. 2 is a front view thereof.

FIG. 3 is a rear view thereof.

FIG. 4 is a left-side view thereof.

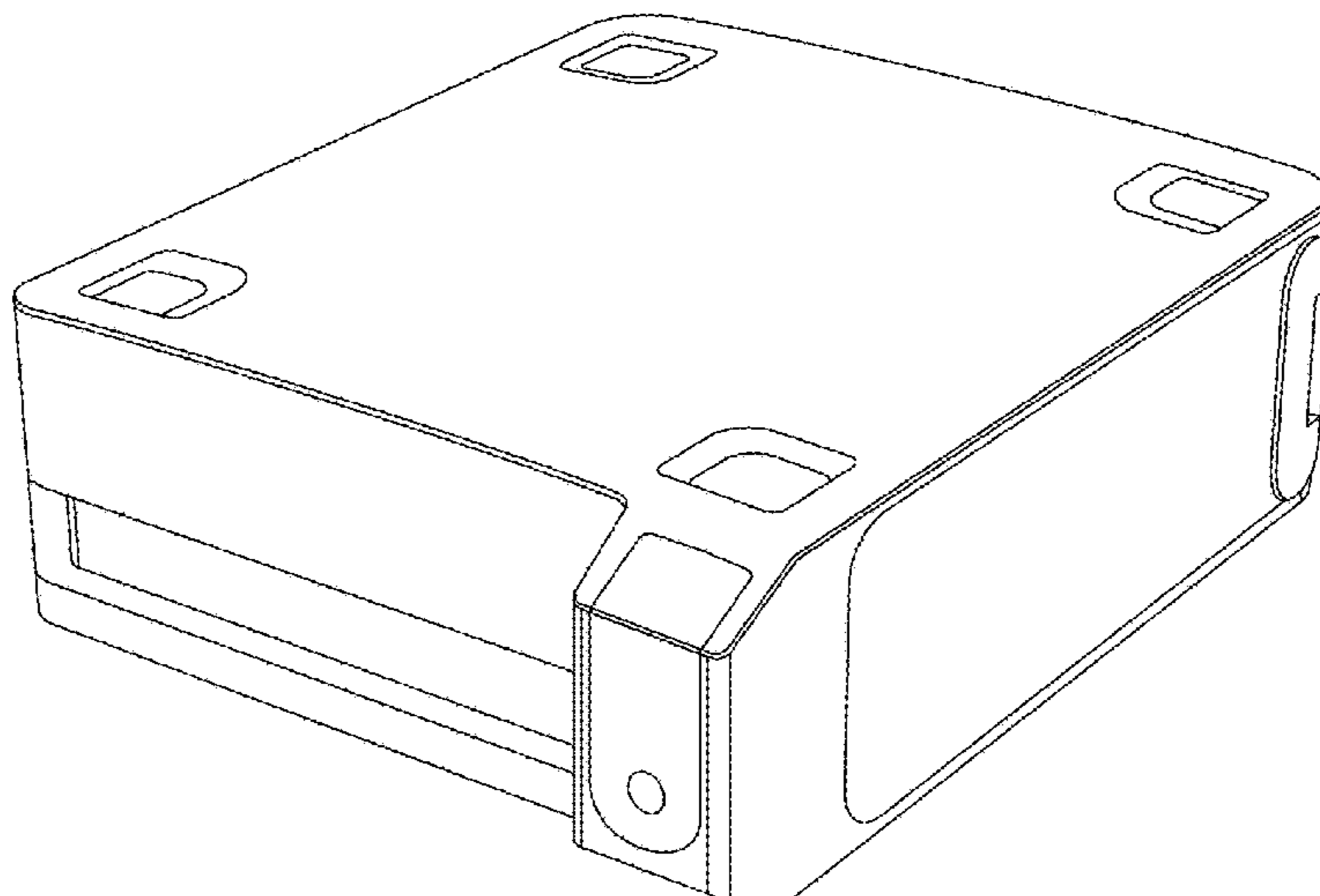
FIG. 5 is a right-side view thereof.

FIG. 6 is a top view thereof; and,

FIG. 7 is a bottom view thereof.

The broken lines immediately adjacent the shaded areas represent the bounds of the claim, while all other broken lines are directed to environment and are for illustrative purposes only; the broken lines form no part of the claimed design.

1 Claim, 7 Drawing Sheets



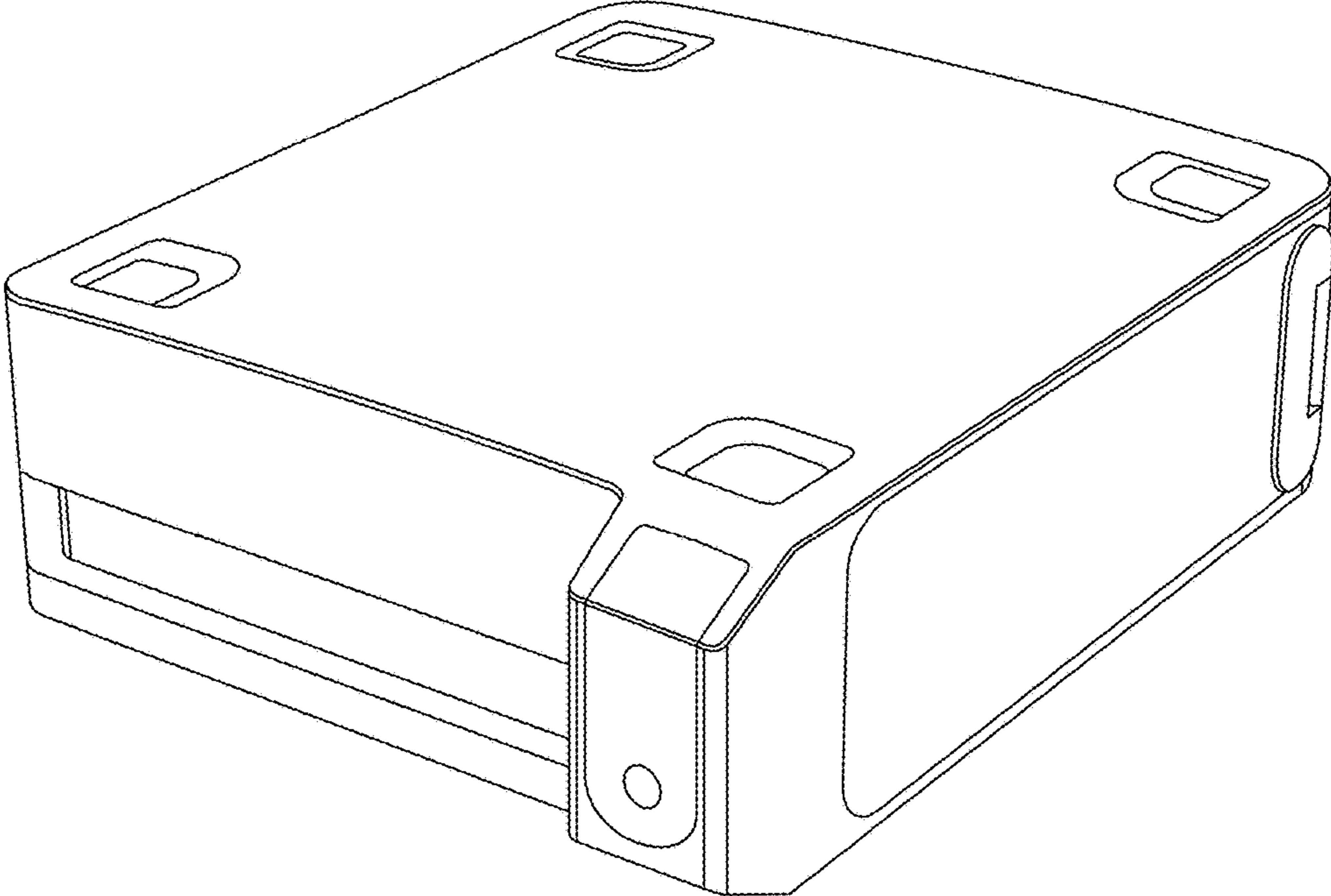


FIG. 1

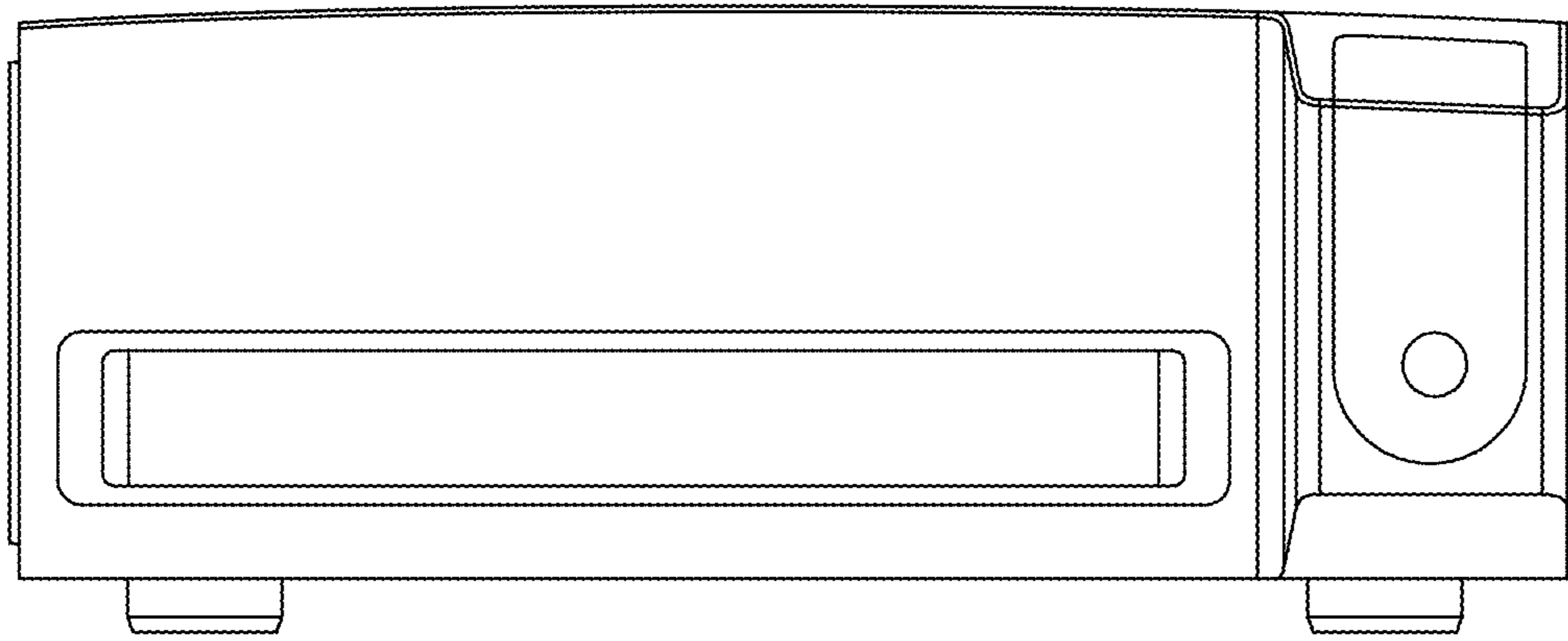


FIG. 2

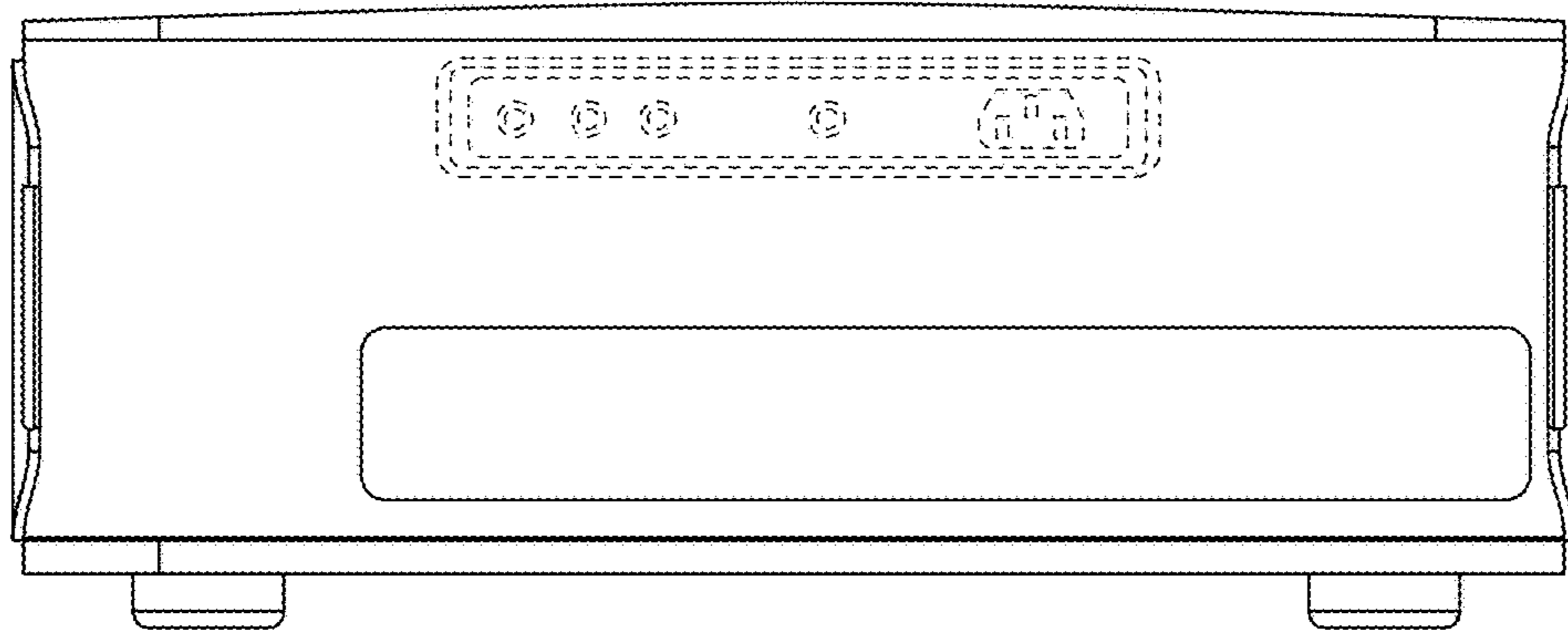


FIG. 3

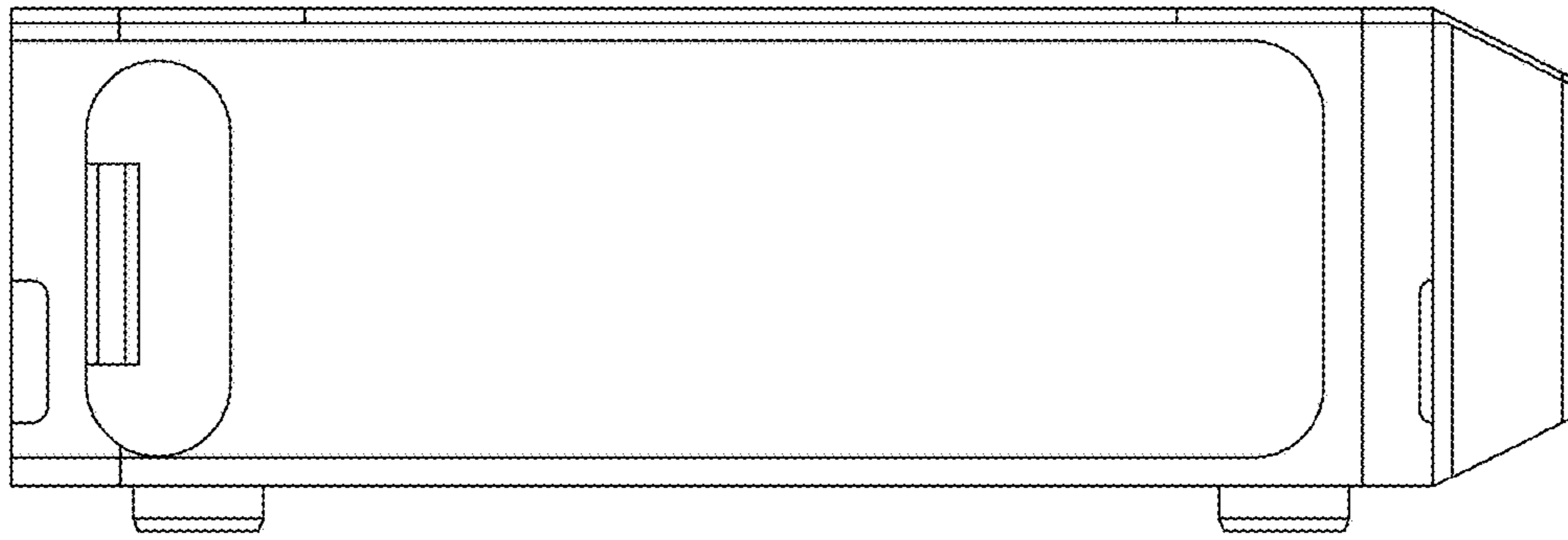


FIG. 4

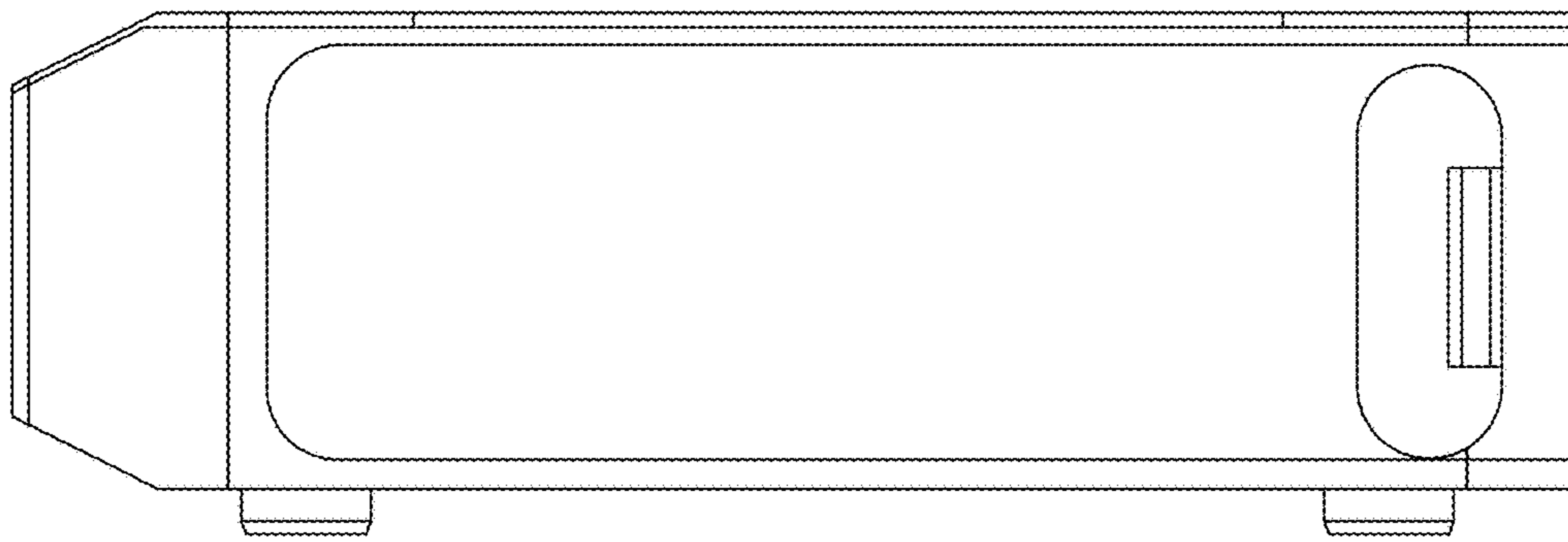


FIG. 5

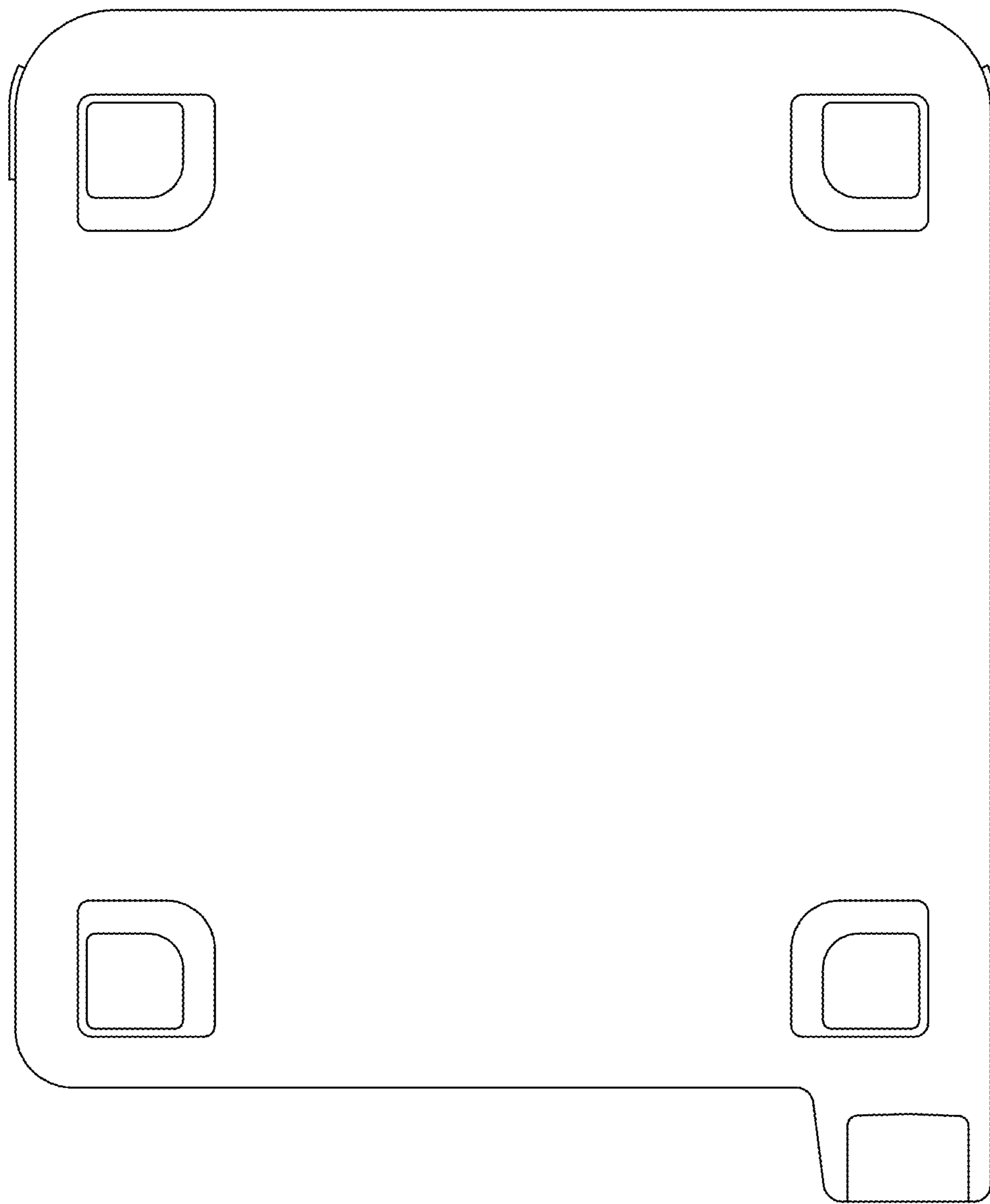


FIG. 6

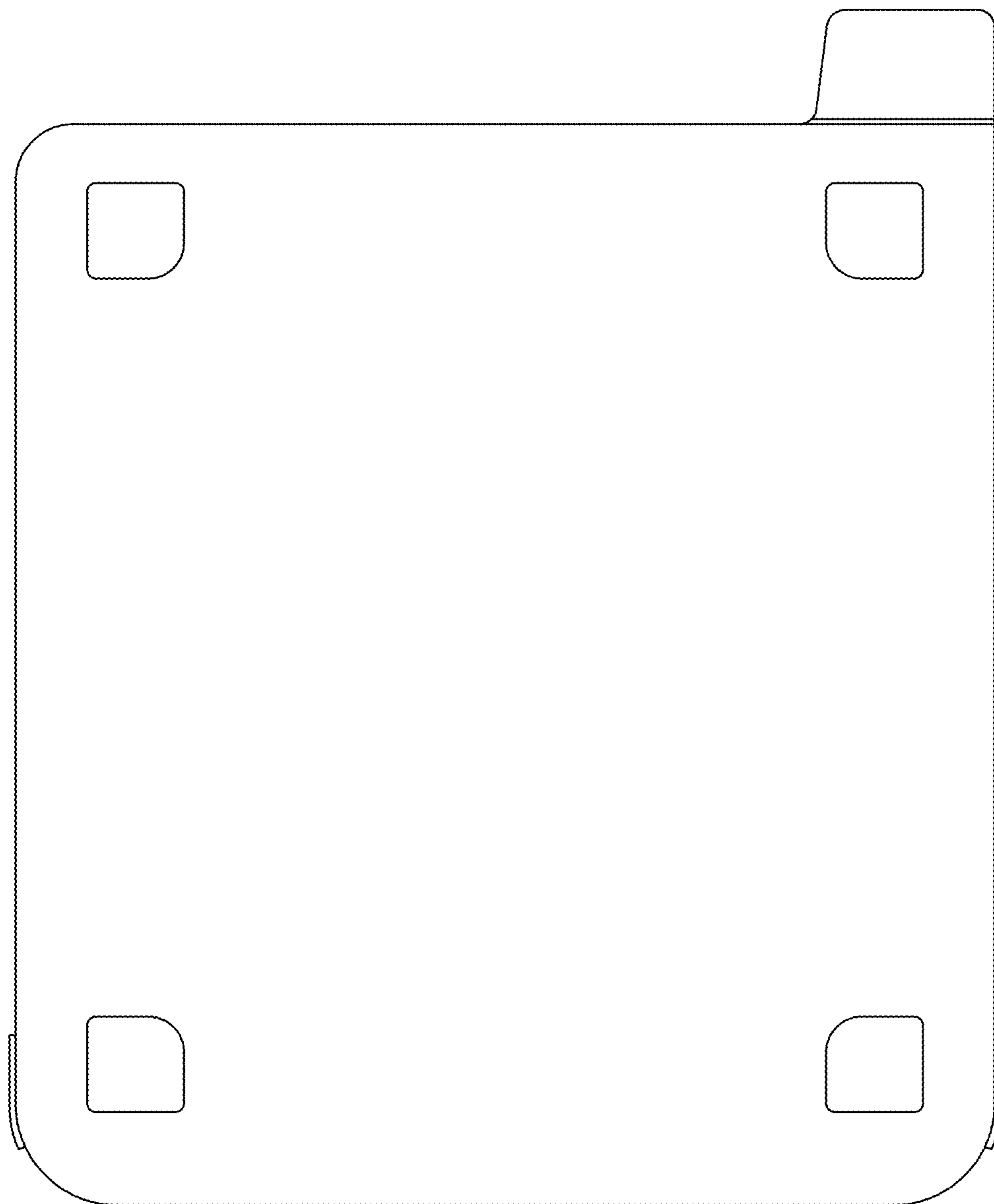


FIG. 7