



US00D794815S

(12) **United States Design Patent** (10) **Patent No.:** **US D794,815 S**  
**Böhm** (45) **Date of Patent:** **\*\* Aug. 15, 2017**

(54) **HAND OPERATED LABORATORY INSTRUMENT**

D550,854 S \* 9/2007 Gomes ..... D24/222  
D702,476 S \* 4/2014 Minica ..... D7/306  
D738,152 S \* 9/2015 Grasselli ..... D7/309  
D746,623 S \* 1/2016 Hovsepian ..... D7/309

(71) Applicant: **BRAND GMBH + CO KG**, Wertheim (DE)

**FOREIGN PATENT DOCUMENTS**

(72) Inventor: **Dieter Böhm**, Wertheim (DE)

DE 197 02 773 A1 7/1998  
WO 2010/122568 A1 10/2010  
WO 2013/160225 A1 10/2013

(73) Assignee: **BRAND GMBH + CO KG**, Wertheim (DE)

**OTHER PUBLICATIONS**

(\*\*) Term: **15 Years**

Dispensette®—Für Ihre Anwendung der Richtige Flaschenaufsatz-Dispenser, Jul. 2013.  
Vitlab® Dispenserfamilie:Genius, Simplex und Ta, Jul. 2014.  
Varispenser®/Varispenser® Plus, Bedienungsanleitung, May 2004.

(21) Appl. No.: **29/533,781**

(22) Filed: **Jul. 22, 2015**

\* cited by examiner

(30) **Foreign Application Priority Data**

Jan. 23, 2015 (DE) ..... 20 2015 000 519  
Feb. 11, 2015 (EM) ..... 002 631 549-0002

*Primary Examiner* — Susan Bennett Hattan

(51) **LOC (10) Cl.** ..... **28-03**

*Assistant Examiner* — Rebecca Tsehaye

(52) **U.S. Cl.**  
USPC ..... **D24/222**

(74) *Attorney, Agent, or Firm* — David S. Safran

(58) **Field of Classification Search**  
USPC ..... D24/232, 222, 233, 234; D7/300, 309, D7/312, 313, 590  
CPC .. G01N 1/00; G01N 1/02; G01N 1/14; G01N 1/10; B05C 5/00; B05C 5/001  
See application file for complete search history.

(57) **CLAIM**

The ornamental design for a hand operated laboratory instrument, as shown and described.

(56) **References Cited**

**DESCRIPTION**

**U.S. PATENT DOCUMENTS**

D242,729 S \* 12/1976 Kenney ..... D24/222  
5,214,968 A \* 6/1993 Kenney ..... B01L 3/0213  
422/922  
5,509,318 A \* 4/1996 Gomes ..... B01L 3/021  
73/863.01  
5,862,958 A 1/1999 Edwards et al.  
6,253,628 B1 \* 7/2001 Steele ..... B01L 3/0234  
73/864.15  
D507,656 S \* 7/2005 Pniewski ..... D24/222

FIG. 1 is a perspective view from the front right of a hand operated laboratory instrument according to our design;  
FIG. 2 is a right side view thereof;  
FIG. 3 is a left side view thereof;  
FIG. 4 is a front view thereof;  
FIG. 5 is a back view thereof;  
FIG. 6 is a top elevation view; and,  
FIG. 7 is a bottom plan view.

**1 Claim, 5 Drawing Sheets**

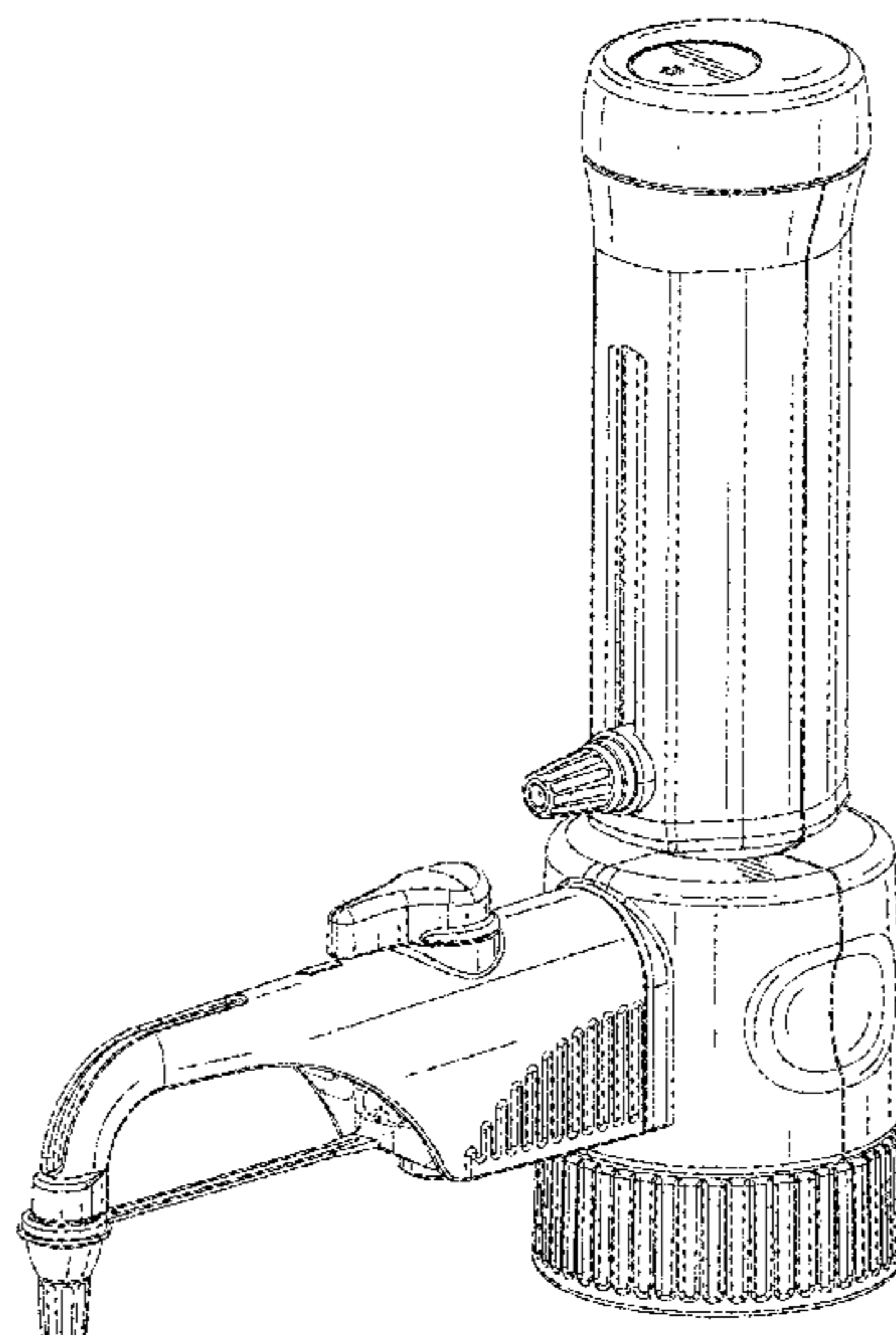


FIG. 1

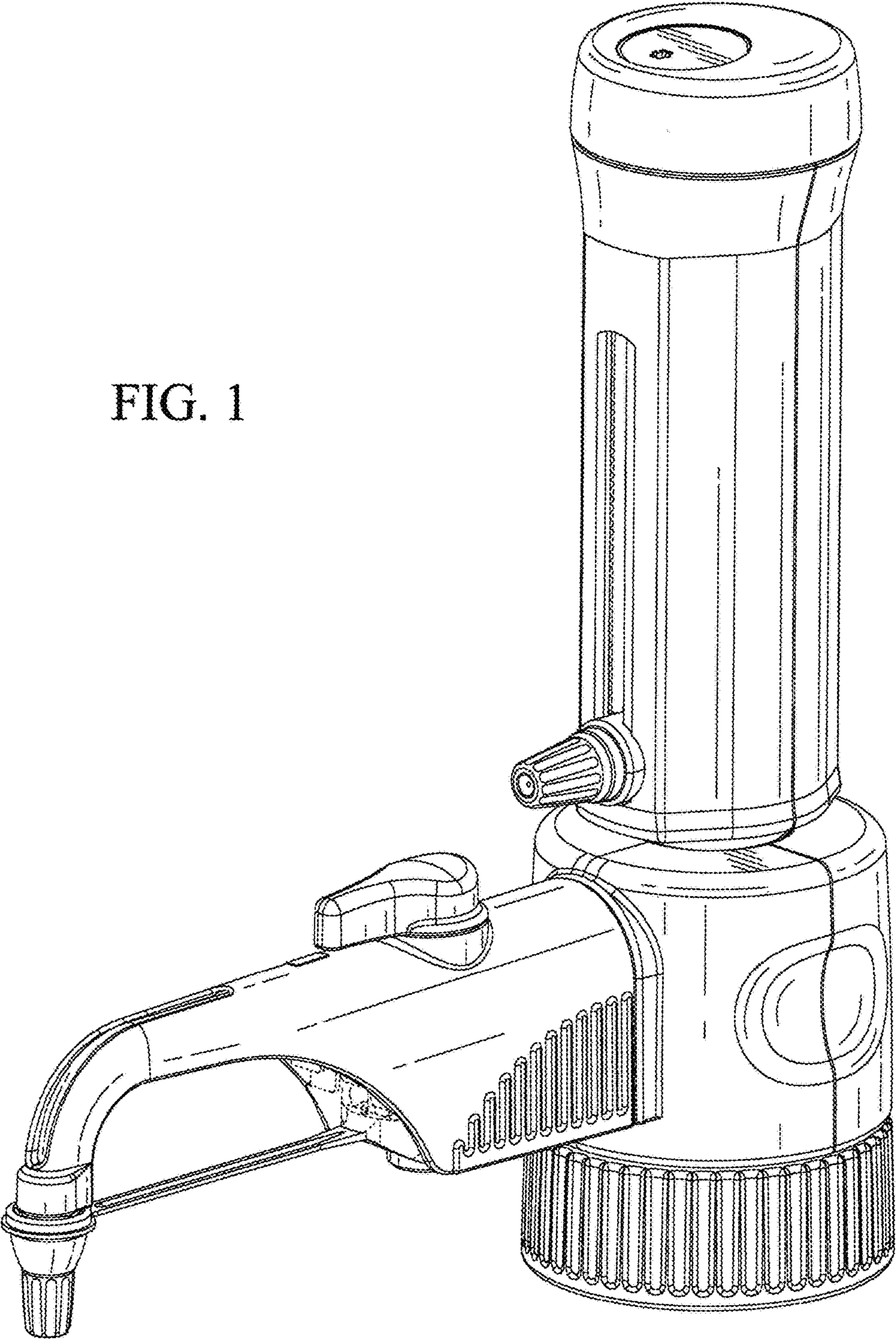
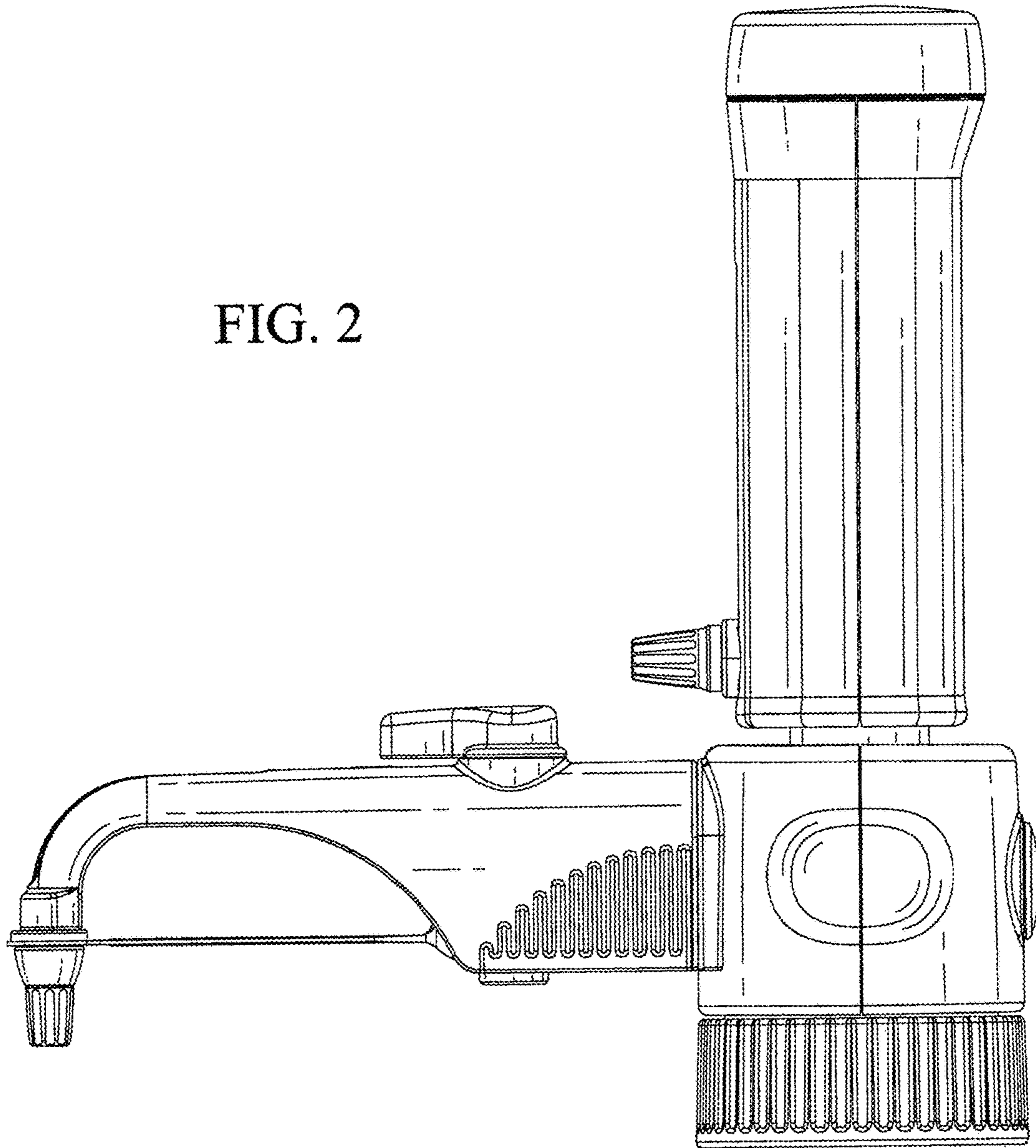
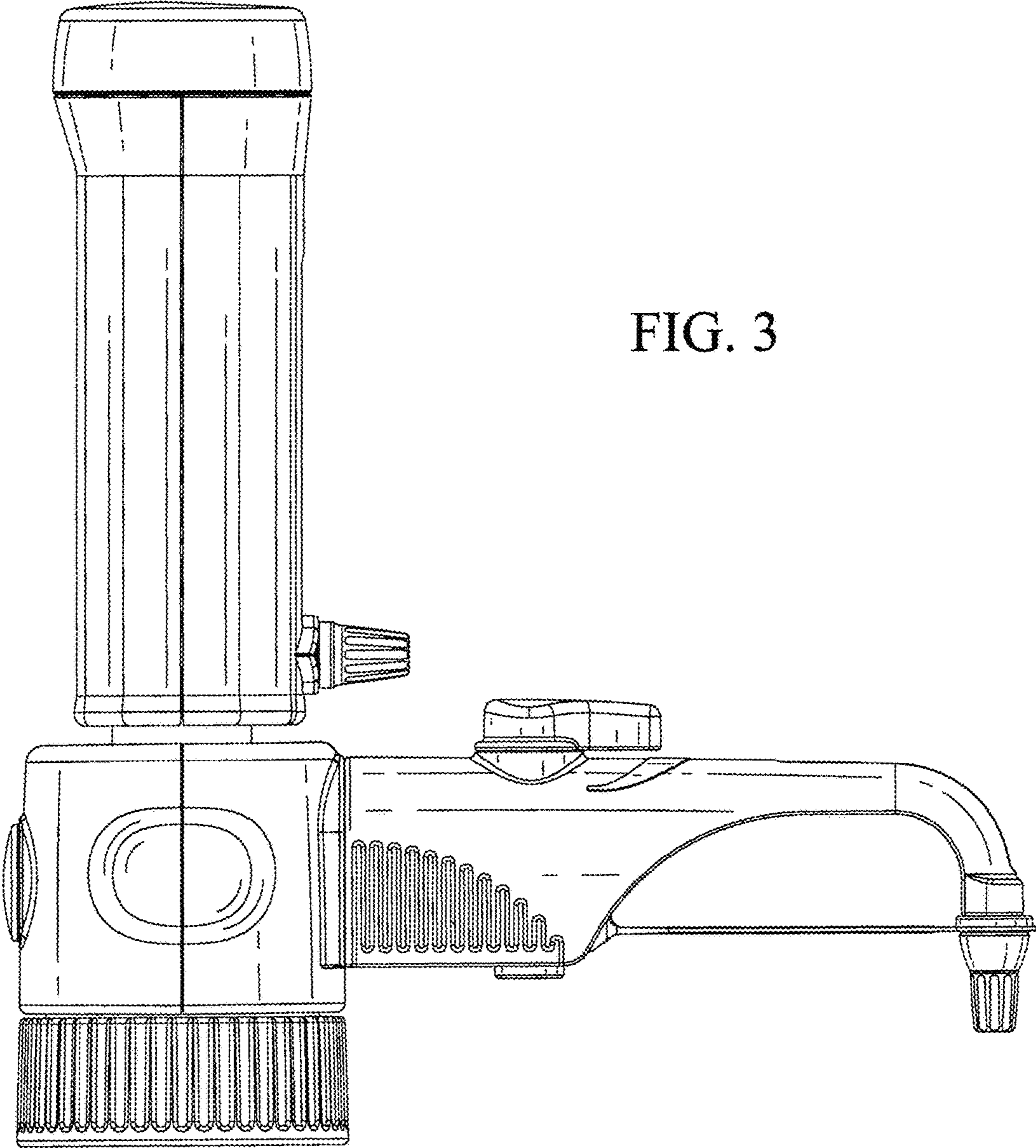


FIG. 2





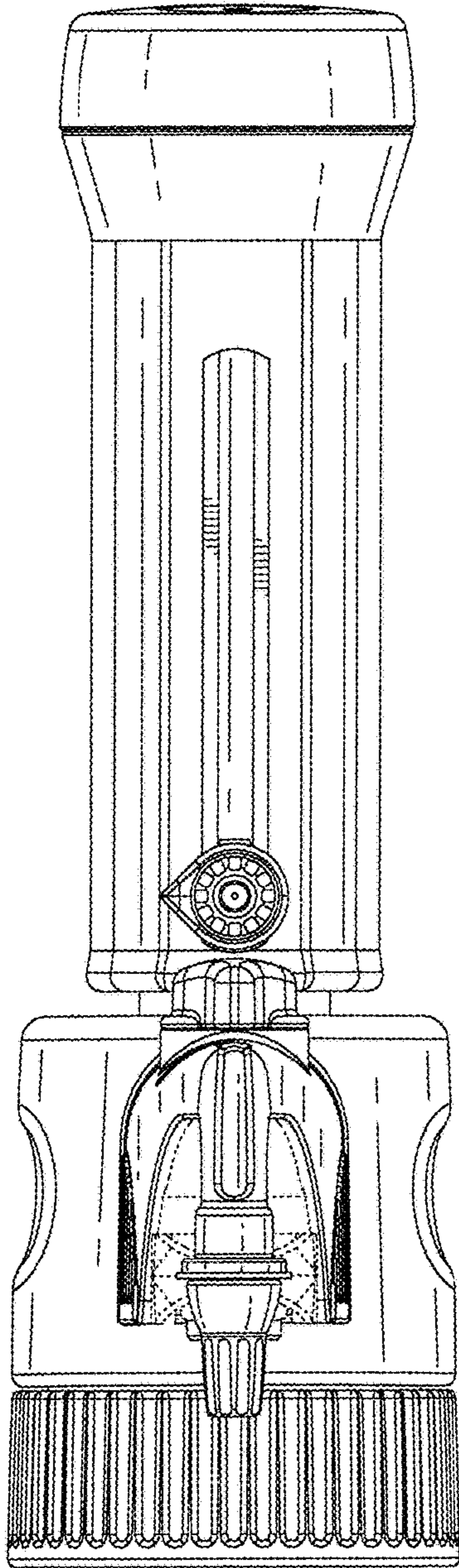


FIG. 4

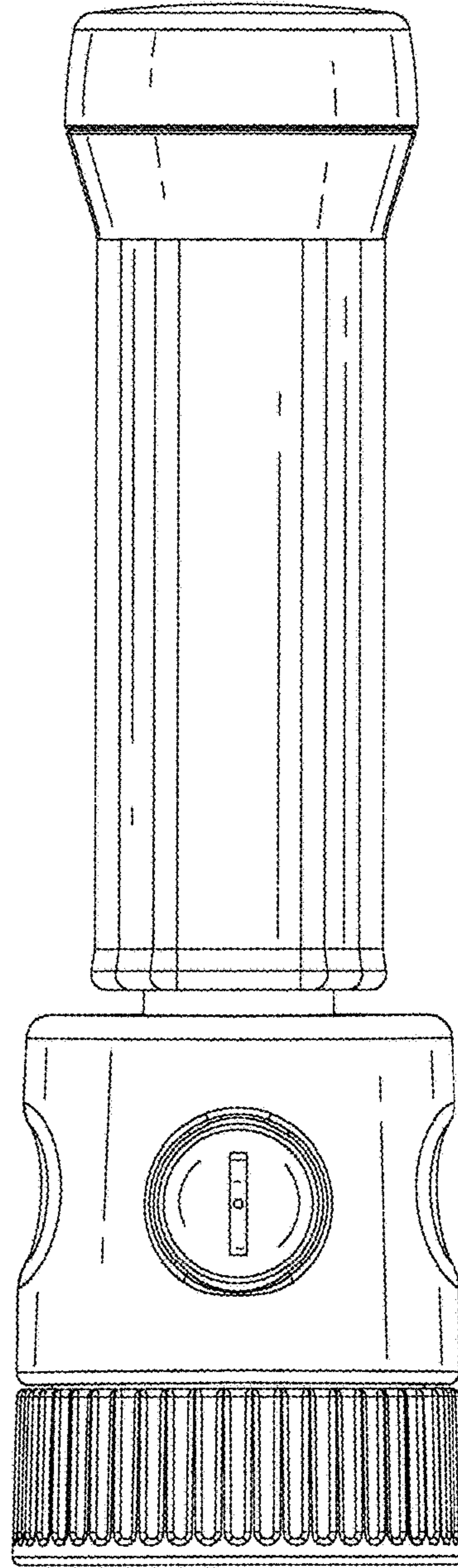


FIG. 5

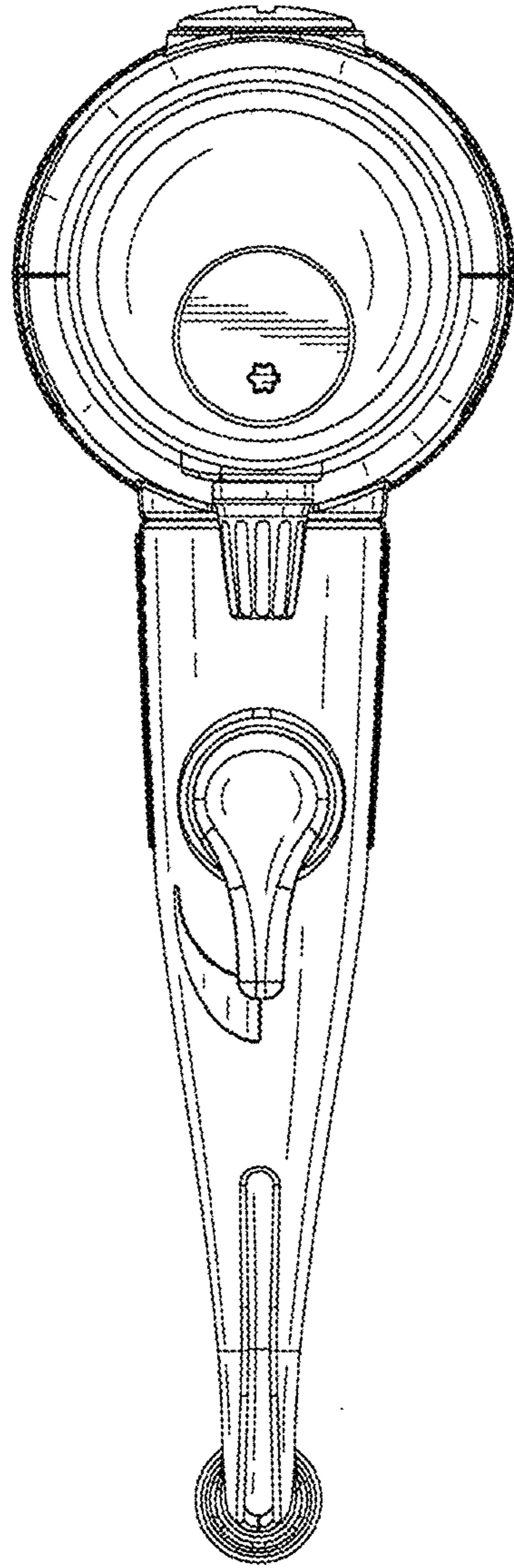


FIG. 6

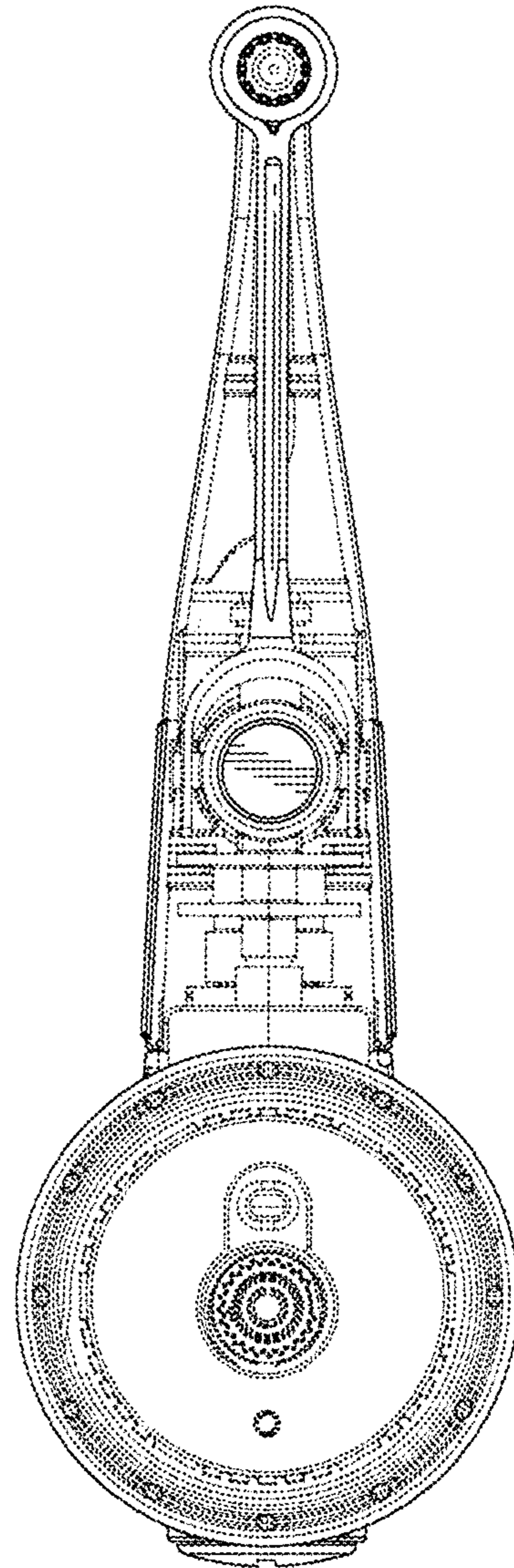


FIG. 7