



US00D794814S

(12) **United States Design Patent**  
**Higgins et al.**

(10) **Patent No.:** **US D794,814 S**

(45) **Date of Patent:** **\*\* Aug. 15, 2017**

(54) **EXERCISE AND MUSCLE DEVICE**

(71) Applicant: **Cygnnet Systems LLC**, Carrollton, TX (US)

(72) Inventors: **Stephen Mark Higgins**, Carrollton, TX (US); **Constance Ann Swanston**, Carrollton, TX (US)

(73) Assignee: **Cygnnet Systems LLC**, Carrollton, TX (US)

(\*\*) Term: **15 Years**

(21) Appl. No.: **29/545,226**

(22) Filed: **Nov. 10, 2015**

(51) **LOC (10) Cl.** ..... **28-03**

(52) **U.S. Cl.**  
USPC ..... **D24/211**

(58) **Field of Classification Search**  
USPC ..... D24/200, 211, 212, 213, 214, 215;  
601/19, 27-32, 46-48, 52, 99, 112-113,  
601/118, 135, 137, DIG. 12, DIG. 14,  
601/DIG. 15, DIG. 16, DIG. 17;  
D30/160; D14/218, 138 AA  
CPC ..... A61H 19/00; A61H 19/30; A61H 19/32;  
A61H 19/34; A61H 19/40; A61H 19/44;  
A61H 19/50; A61H 2015/0007; A61H  
2015/0014; A61H 2015/0042; A61H  
15/00; A61H 7/003; A61H 7/005  
See application file for complete search history.

(56) **References Cited**

**U.S. PATENT DOCUMENTS**

- D256,841 S \* 9/1980 Corbett ..... D24/211
- 4,433,683 A \* 2/1984 McCoy ..... A63B 21/05  
601/120
- D285,117 S \* 8/1986 Snyder ..... D24/211
- 5,199,443 A \* 4/1993 Maurer ..... A61N 1/0524  
607/138
- D361,132 S \* 8/1995 Lee ..... D24/200

- D371,202 S \* 6/1996 Zajas ..... D24/211
- D416,427 S \* 11/1999 Pecora ..... D24/211
- 6,419,650 B1 \* 7/2002 Ryan ..... A61H 15/00  
601/122
- D573,262 S \* 7/2008 Soucy ..... D24/211
- 7,918,774 B2 \* 4/2011 Dye ..... A61H 15/0092  
482/132
- D637,244 S \* 5/2011 Davis ..... D21/662
- D660,450 S \* 5/2012 Johnson ..... D24/215
- D667,130 S \* 9/2012 Baker ..... D24/207
- D688,384 S \* 8/2013 Ateya Soliman ..... D24/215
- D693,934 S \* 11/2013 Lin ..... D24/215

(Continued)

*Primary Examiner* — Sandra Snapp

(74) *Attorney, Agent, or Firm* — Hubbard Johnston, PLLC

(57) **CLAIM**

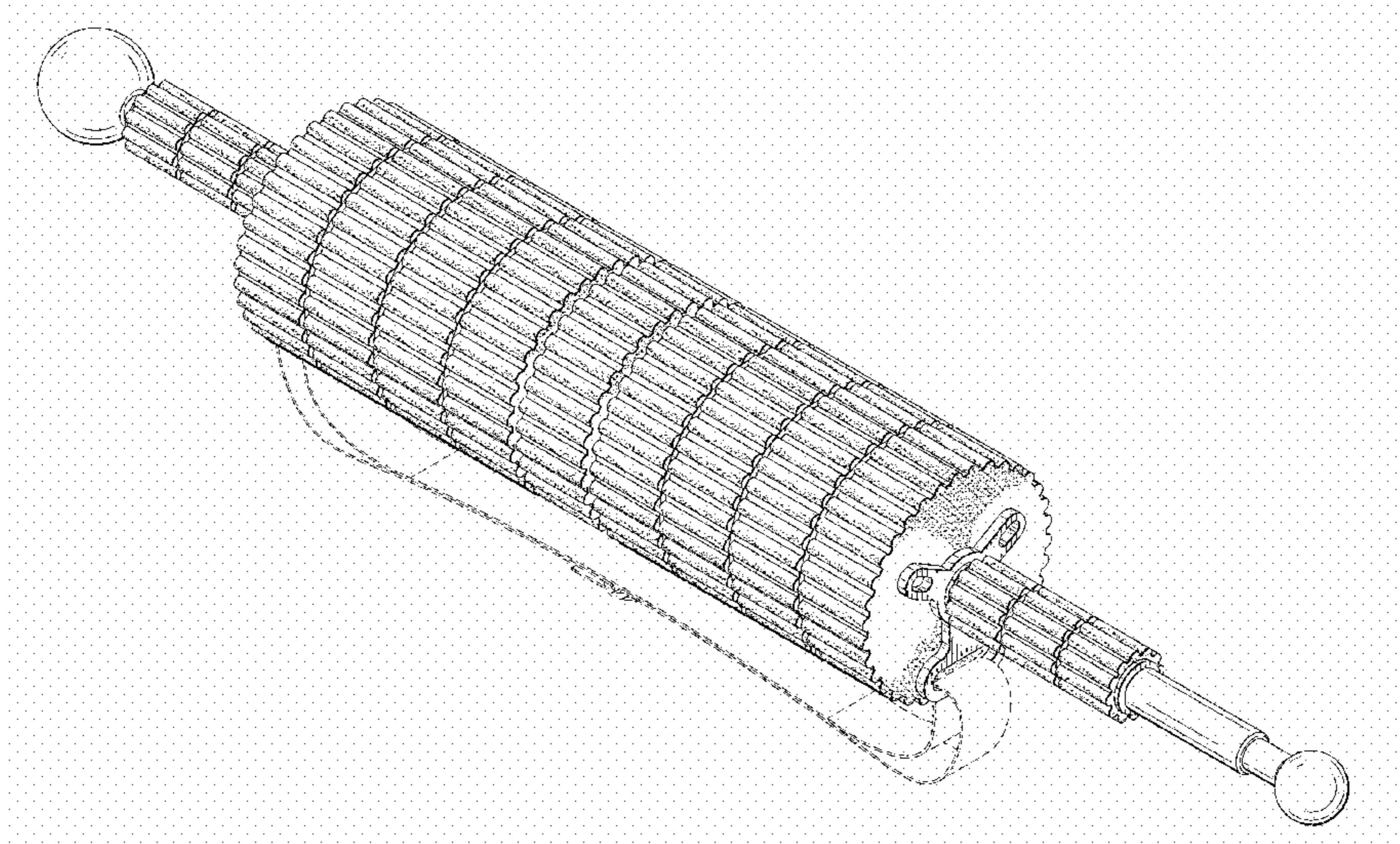
The ornamental design for an exercise and muscle device, as shown and described.

**DESCRIPTION**

FIG. 1 is a front perspective view of an exercise and muscle device;  
 FIG. 2 is a front elevation view of the exercise and muscle device;  
 FIG. 3 is a back elevation view of the exercise and muscle device;  
 FIG. 4 is a right side elevation view of the exercise and muscle device;  
 FIG. 5 is a left side elevation view of the exercise and muscle device;  
 FIG. 6 is a top plan view of the exercise and muscle device;  
 and,  
 FIG. 7 is a bottom plan view of the exercise and muscle device.

The broken lines depict portions of the strap of the exercise and muscle device and form no part of the claimed design.

**1 Claim, 4 Drawing Sheets**



(56)

**References Cited**

U.S. PATENT DOCUMENTS

8,784,287 B2 \* 7/2014 Miller, Jr. .... A63B 22/20  
482/132  
D713,050 S \* 9/2014 Kao ..... A61H 15/00  
D24/211  
8,821,352 B2 \* 9/2014 Crowell ..... A61H 15/0092  
482/11  
8,926,482 B2 \* 1/2015 Miller, Jr. .... A63B 22/20  
482/132  
9,005,146 B2 \* 4/2015 Phillips ..... A61H 15/0092  
482/132  
D736,398 S \* 8/2015 Kwon ..... D24/211  
D737,456 S \* 8/2015 McDonough ..... D24/211  
9,144,701 B2 \* 9/2015 Chen ..... A63B 21/00047  
9,168,411 B2 \* 10/2015 Holman ..... A63B 21/028  
D744,112 S \* 11/2015 Phillips ..... D24/211  
9,415,258 B1 \* 8/2016 Higgins ..... A63B 21/068  
9,572,745 B2 \* 2/2017 Lin ..... A61H 15/0092  
2012/0065557 A1 3/2012 Phillips

\* cited by examiner

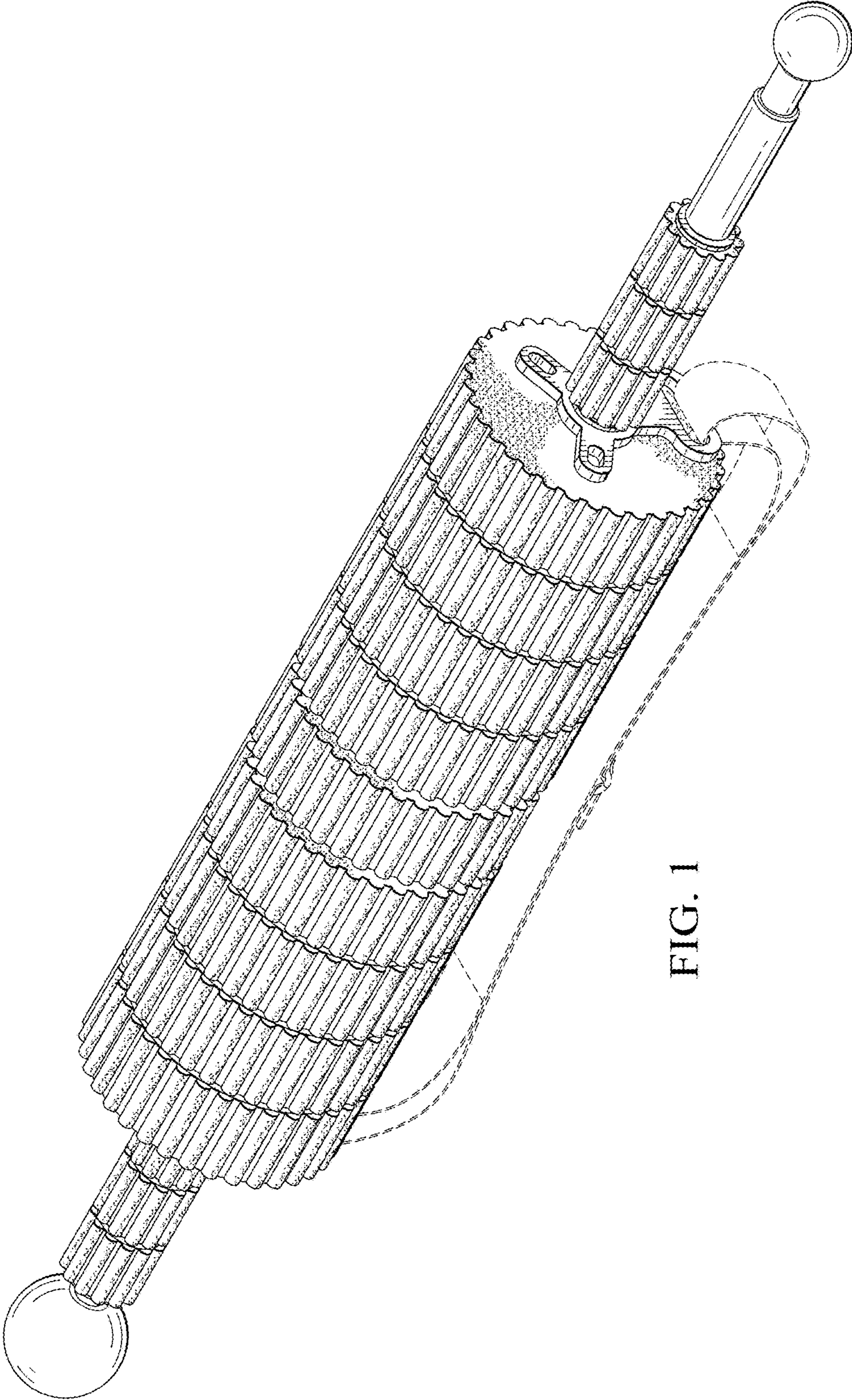


FIG. 1

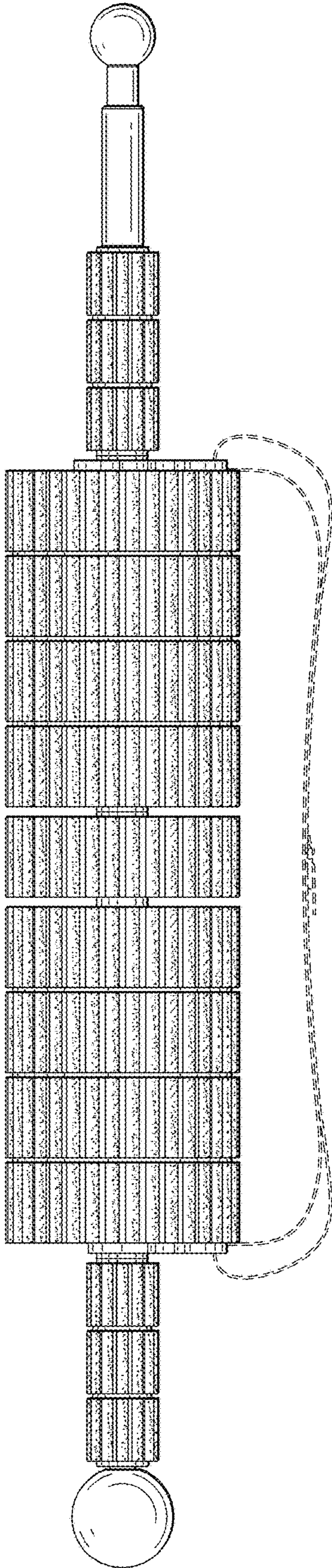


FIG. 2

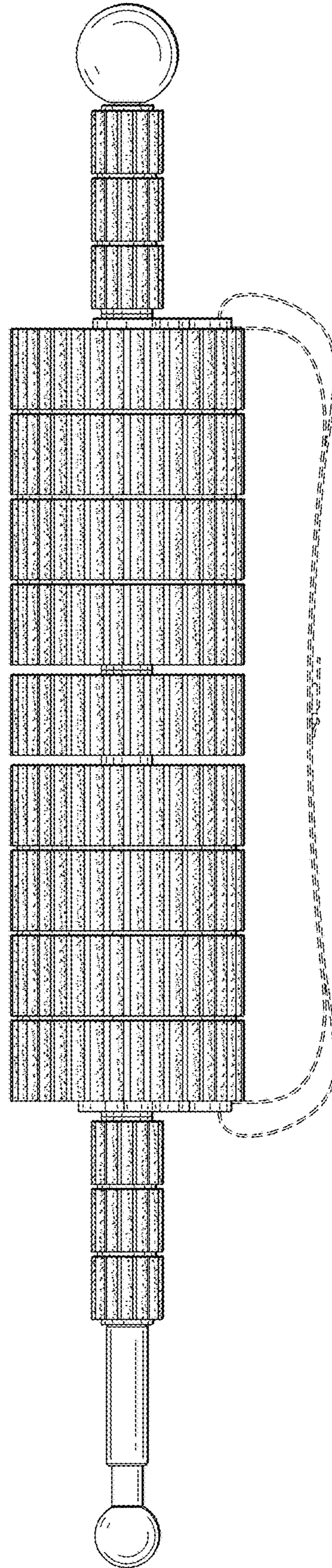


FIG. 3

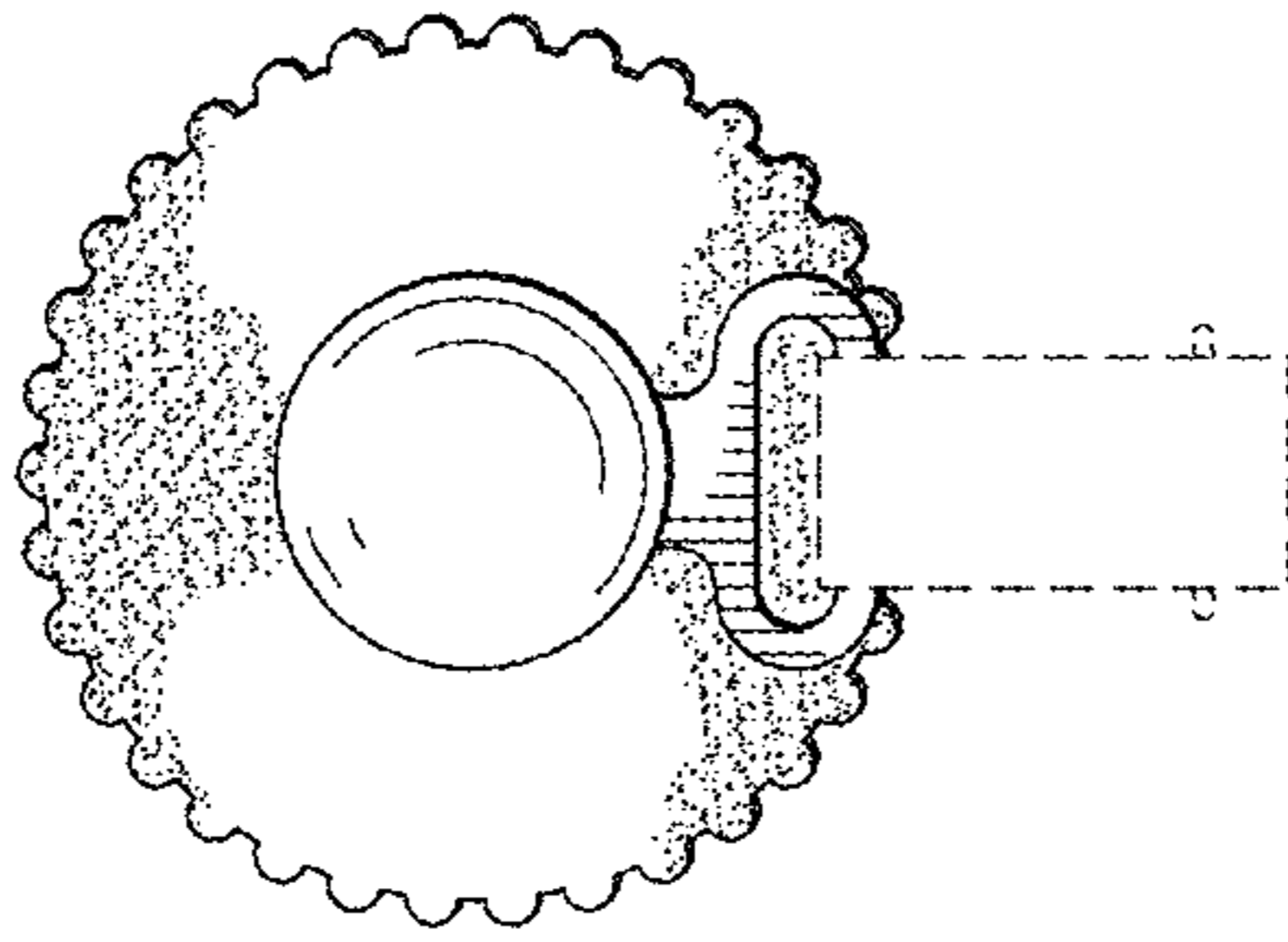


FIG. 5

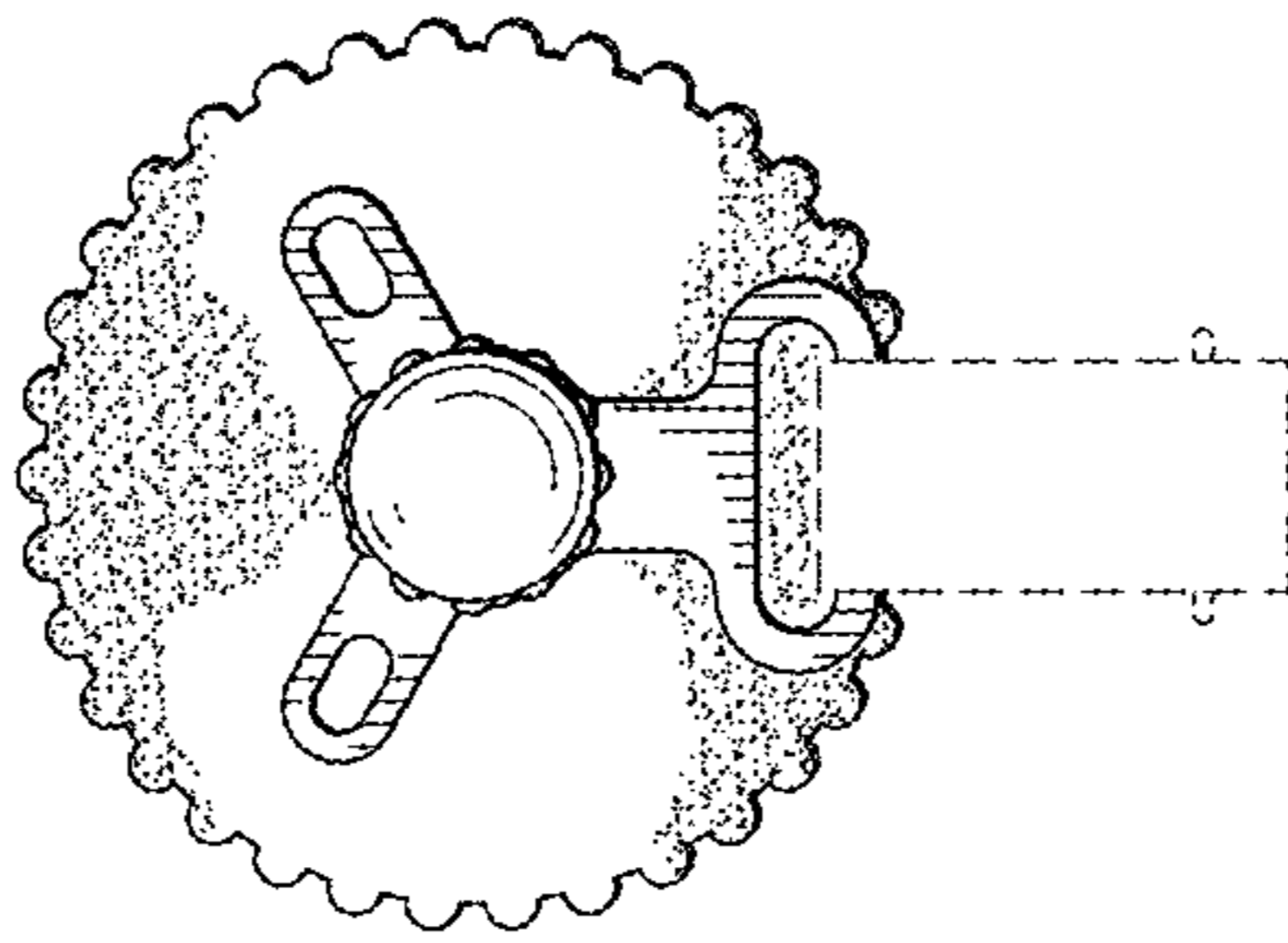


FIG. 4

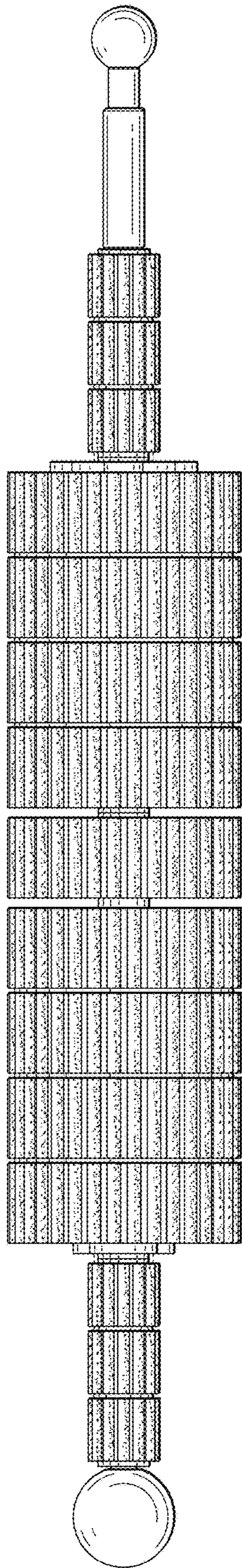


FIG. 6

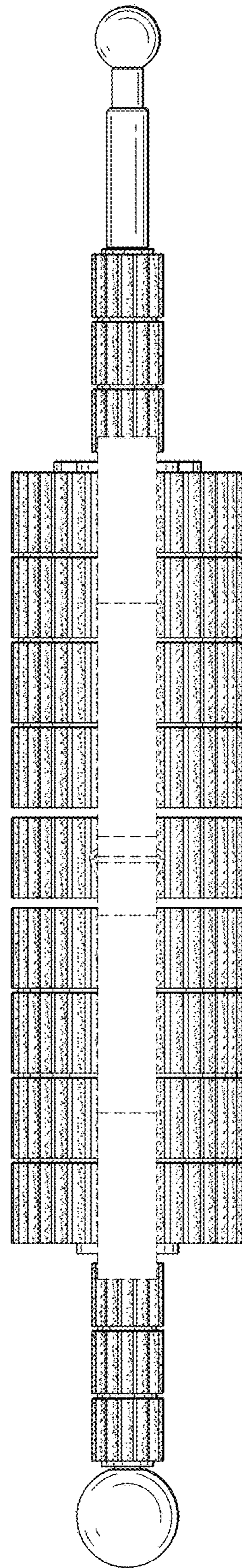


FIG. 7