



US00D794811S

(12) **United States Design Patent** (10) **Patent No.:** **US D794,811 S**
Thomas (45) **Date of Patent:** **** Aug. 15, 2017**

(54) **PACIFIER**
(71) Applicant: **Monica H. Thomas**, Gainesville, FL
(US)
(72) Inventor: **Monica H. Thomas**, Gainesville, FL
(US)

D662,599 S * 6/2012 Rhodes, II D24/194
D674,495 S * 1/2013 Roehrig D24/194
9,439,836 B1 * 9/2016 Thomas A61J 17/00
2003/0100922 A1 * 5/2003 Fitzpatrick A61J 17/001
606/234
2004/0044367 A1 * 3/2004 Yancy B65D 81/3272
606/234

(Continued)

(**) Term: **15 Years**

FOREIGN PATENT DOCUMENTS

(21) Appl. No.: **29/556,075**

EP 0185614 A1 6/1986

(22) Filed: **Feb. 26, 2016**

OTHER PUBLICATIONS

Related U.S. Application Data

(63) Continuation of application No. 14/525,730, filed on Oct. 28, 2014, now Pat. No. 9,439,836.

“The Best Teething Toys for Infants”. Found online Nov. 4, 2016 at firsttimemomanddad.com. Page dated Jul. 7, 2012. Retrieved from <http://www.firsttimemomanddad.com/2012/07/best-teething-toys-for-infants.html>.*

(51) **LOC (10) Cl.** **24-04**

(Continued)

(52) **U.S. Cl.**
USPC **D24/194**

(58) **Field of Classification Search**
USPC D24/115, 117, 193, 194, 195, 196, 214;
D30/160; D21/621, 625, 627
CPC A61J 17/00
See application file for complete search history.

Primary Examiner — Robert M Spear
Assistant Examiner — Kendra L Hamilton
(74) *Attorney, Agent, or Firm* — Robert C. Montgomery;
Montgomery Patent & Design

(56) **References Cited**

(57) **CLAIM**

The ornamental design for a pacifier, as shown and described.

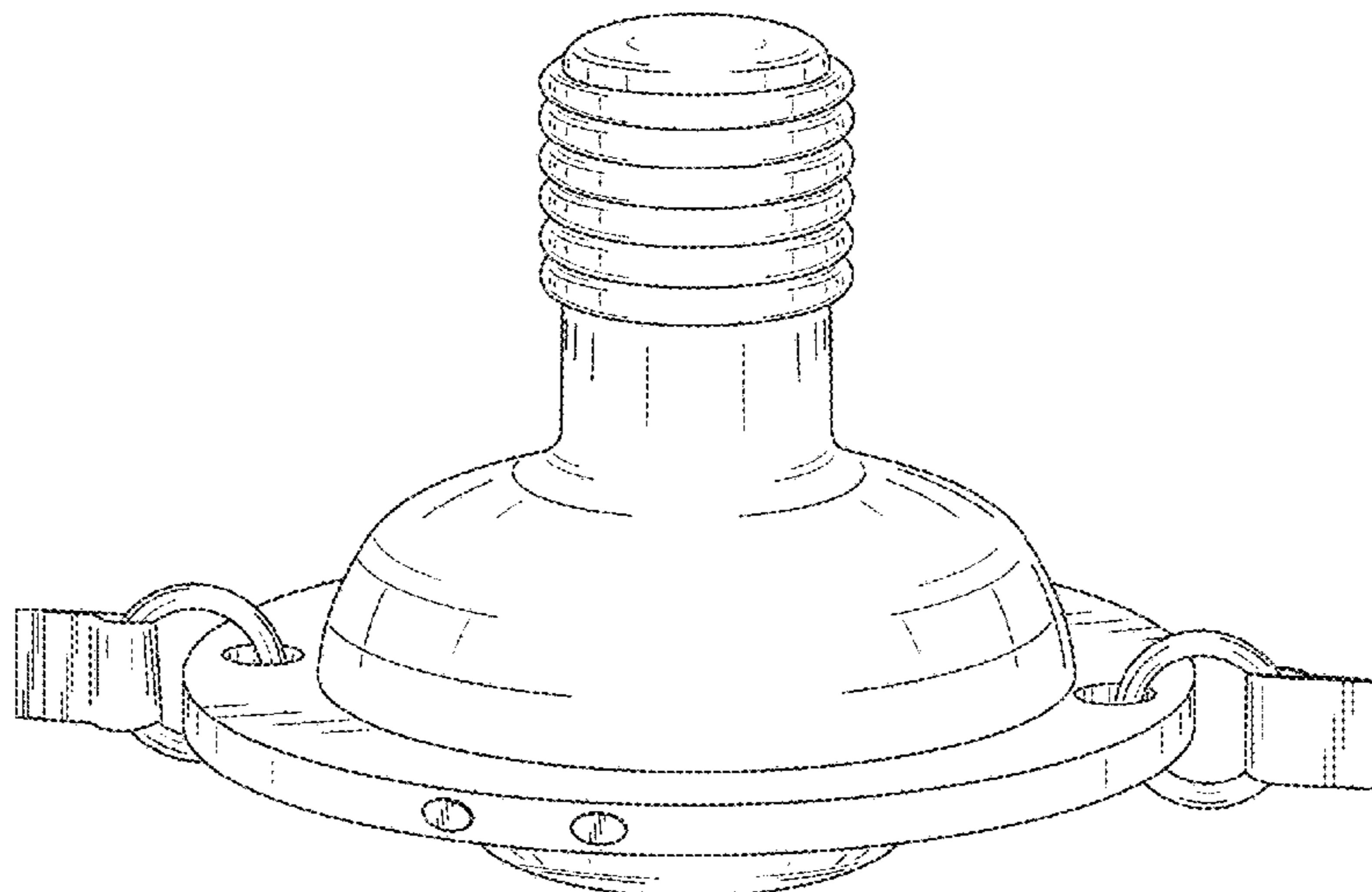
U.S. PATENT DOCUMENTS

3,186,411 A 6/1965 Skidmore
4,192,307 A 3/1980 Baer
4,688,571 A 8/1987 Tesler
5,662,685 A * 9/1997 Uhler A61J 17/002
606/234
5,700,279 A 12/1997 Blando
D404,137 S * 1/1999 Underwood D24/194
D443,932 S 6/2001 Wickerman
6,482,225 B1 11/2002 Bingham et al.
D472,973 S 4/2003 Bliss et al.
D477,411 S 7/2003 Kroepel
D565,738 S * 4/2008 Rohrig D24/194
D593,203 S * 5/2009 Kliegman D24/194
D623,304 S * 9/2010 Sierra D24/194

DESCRIPTION

FIG. 1 is a top front side perspective view of a pacifier, showing my new design;
FIG. 2 is a bottom front side perspective view thereof;
FIG. 3 is a front side elevation view thereof;
FIG. 4 is a back side elevation view thereof;
FIG. 5 is a left side elevation view thereof;
FIG. 6 is a right side elevation view thereof;
FIG. 7 is a top plan view thereof; and,
FIG. 8 is a bottom plan view thereof.

1 Claim, 8 Drawing Sheets



(56)

References Cited

U.S. PATENT DOCUMENTS

2007/0265661 A1 11/2007 Coleman
2009/0248074 A1* 10/2009 Kliegman A61J 17/001
606/236
2011/0160769 A1* 6/2011 Tesini A61J 17/02
606/235
2012/0252924 A1 10/2012 Mahoney
2013/0085475 A1 4/2013 McNac, III et al.
2014/0243895 A1* 8/2014 Kellogg A61J 17/02
606/235

OTHER PUBLICATIONS

“Soothe Their Gums with These 12 Great Teethers”. Found online Nov. 4, 2016 at growingyourbaby.com. Page dated Mar. 17, 2014. Retrieved from <http://www.growingyourbaby.com/2014/03/17/soothe-their-gums-with-these-12-great-teethers/>.*

“ZoLi Gummy Set of 2 Stick Gum Massager”. Found online Nov. 4, 2016 at amazon.com. Page dated Feb. 23, 2010. Retrieved from https://www.amazon.com/ZoLi-Gummy-Stick-Massager-Orange/dp/B005LX33X2/ref=cm_cr_ar_p_d_product_top?ie=UTF8.*

“Comotomo Silicone Baby Teether”. Found online Nov. 2, 2016 at amazon.com. Page dated Nov. 10, 2012. Retrieved from https://www.amazon.com/Comotomo-Silicone-Baby-Teether-Blue/dp/B00913DY1O/ref=cm_cr_ar_p_d_product_top?ie=UTF8.*

* cited by examiner

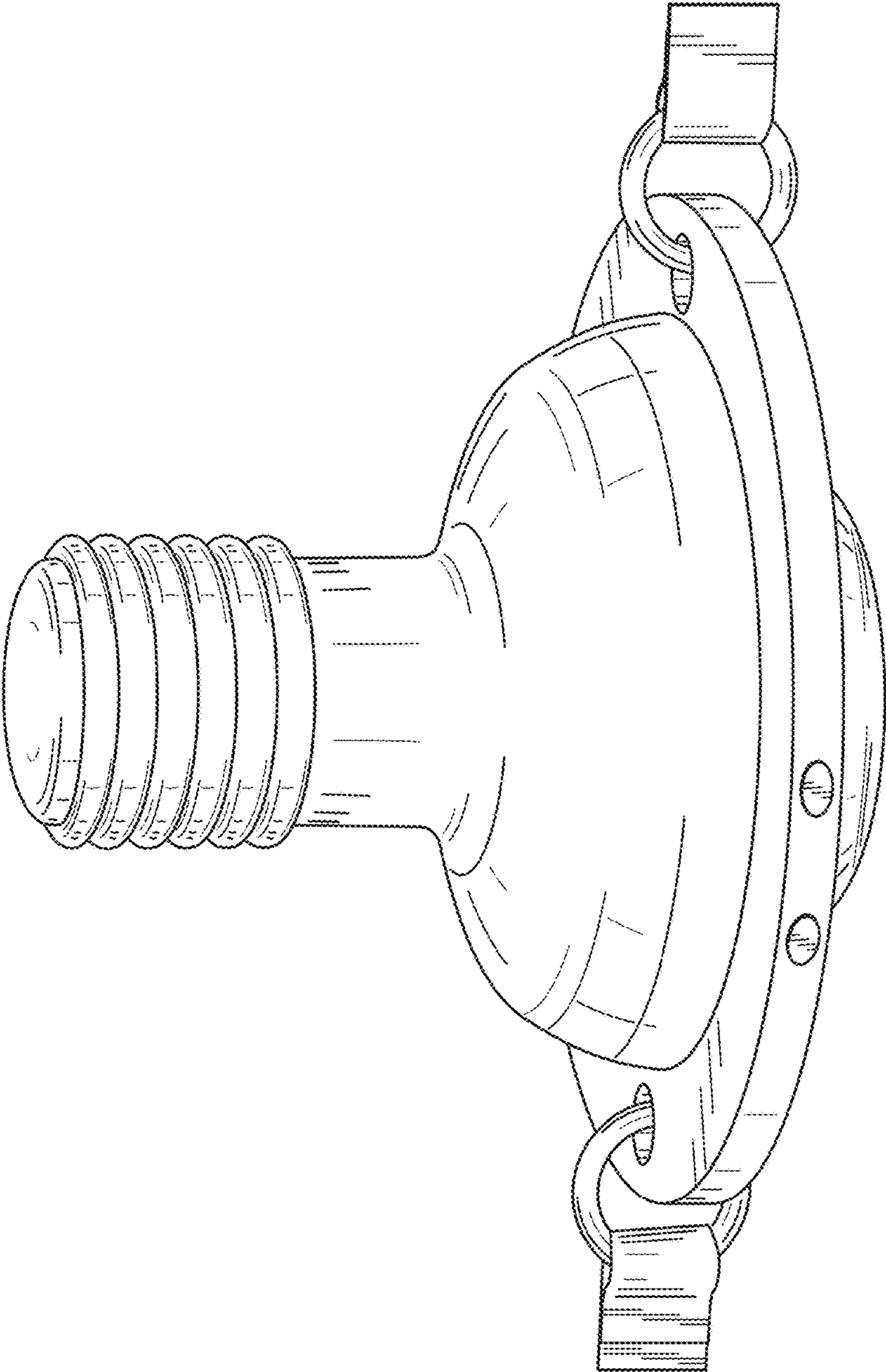


FIG. 1

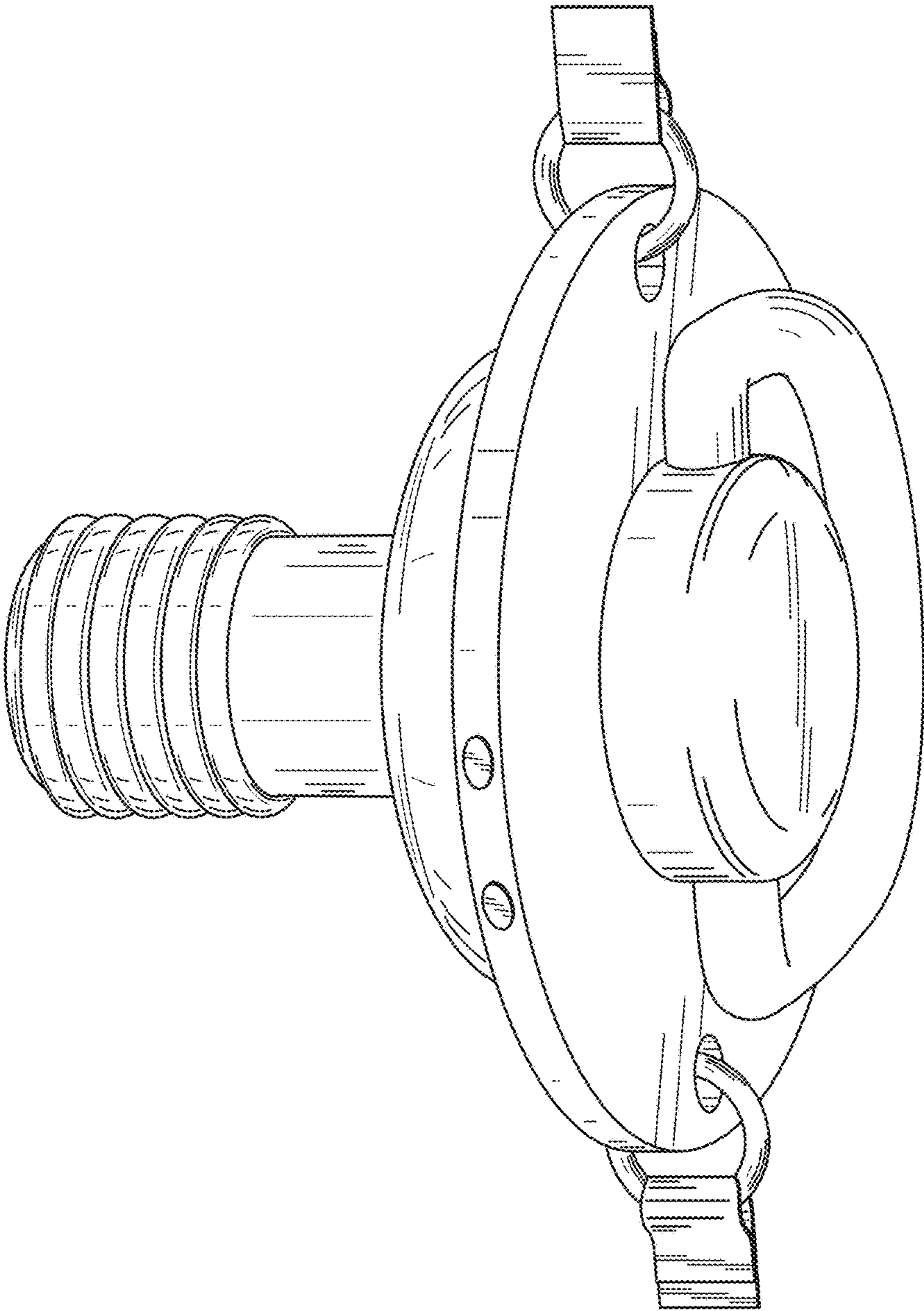


FIG. 2

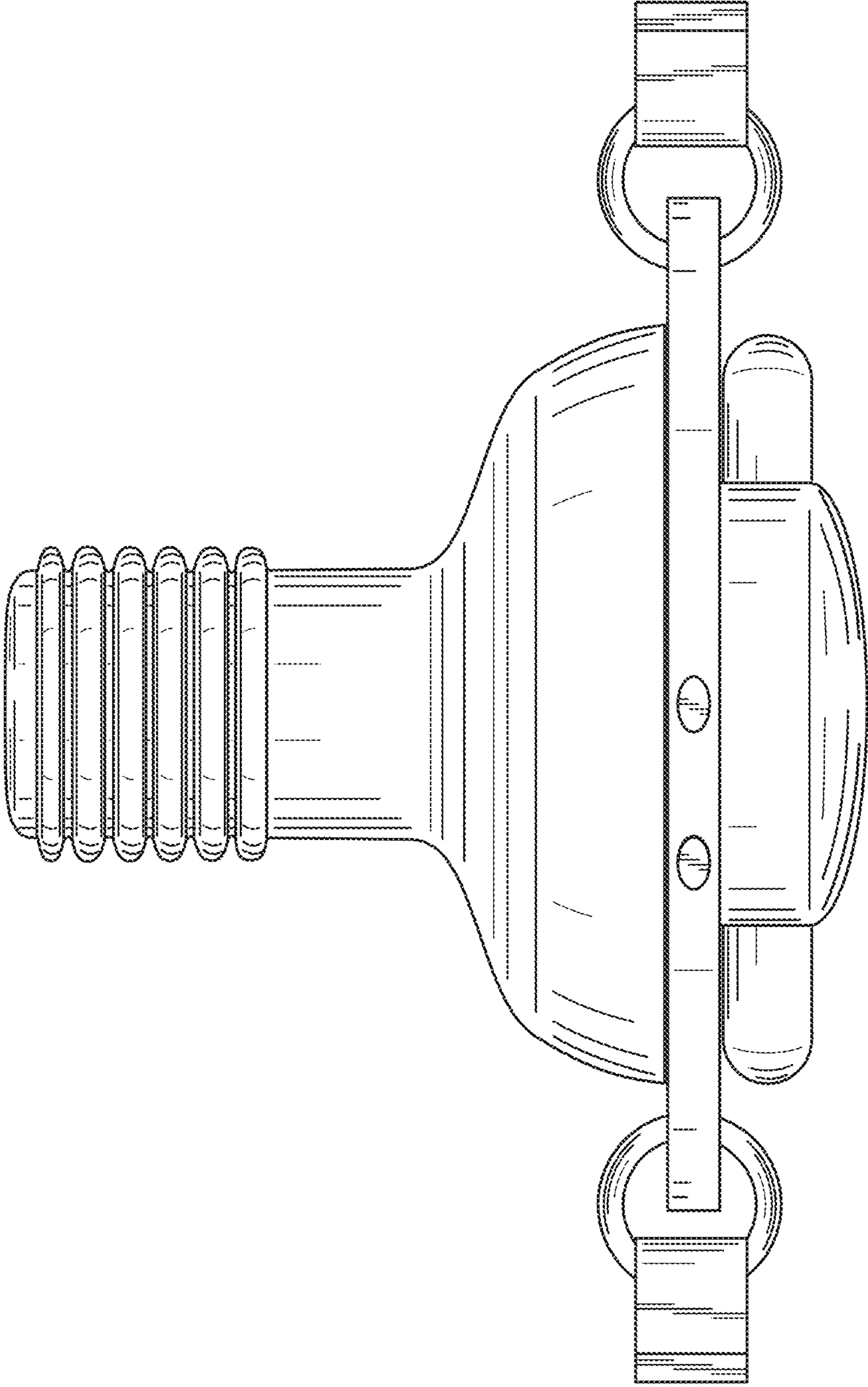


FIG. 3

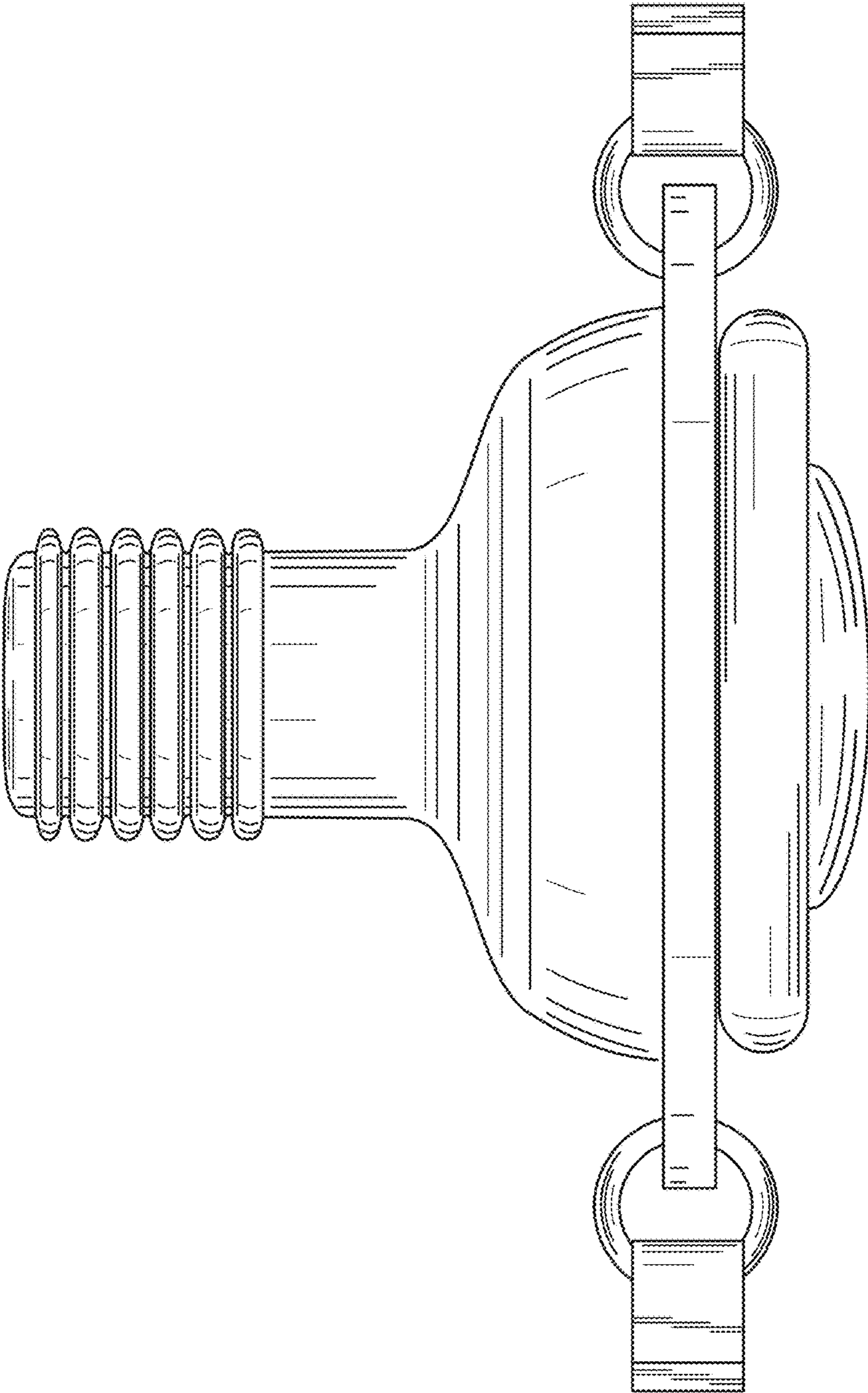


FIG. 4

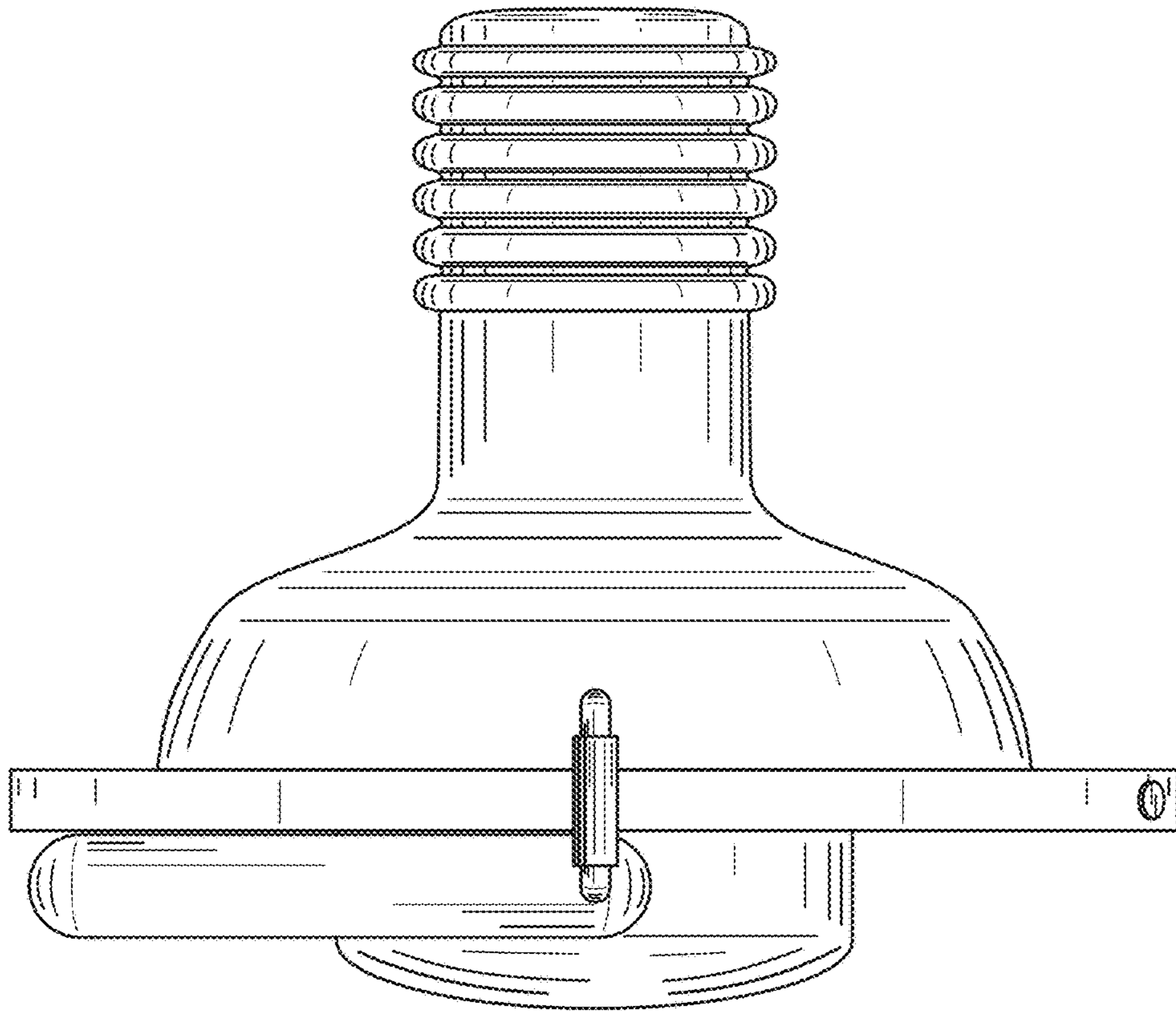


FIG. 5

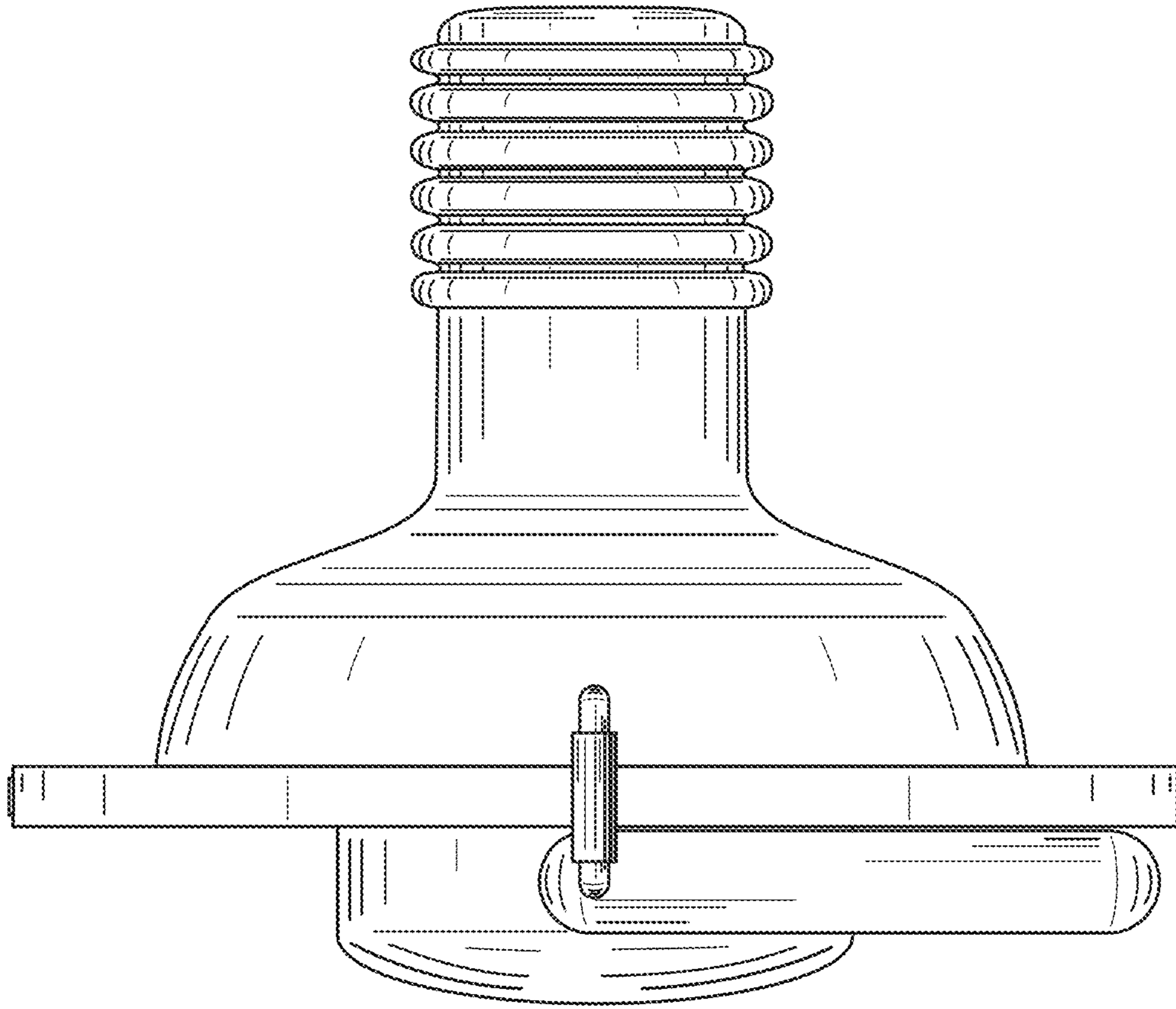


FIG. 6

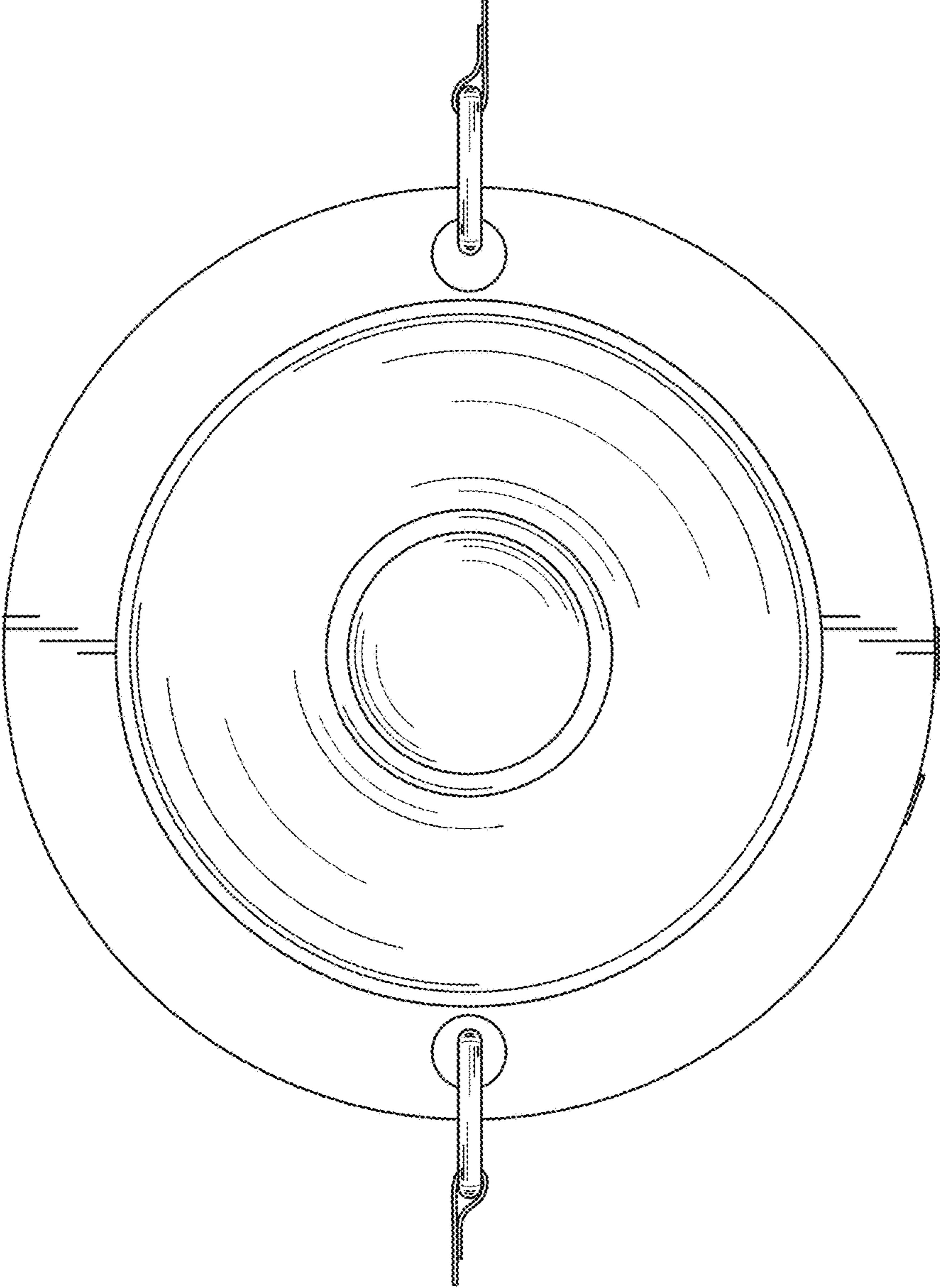


FIG. 7

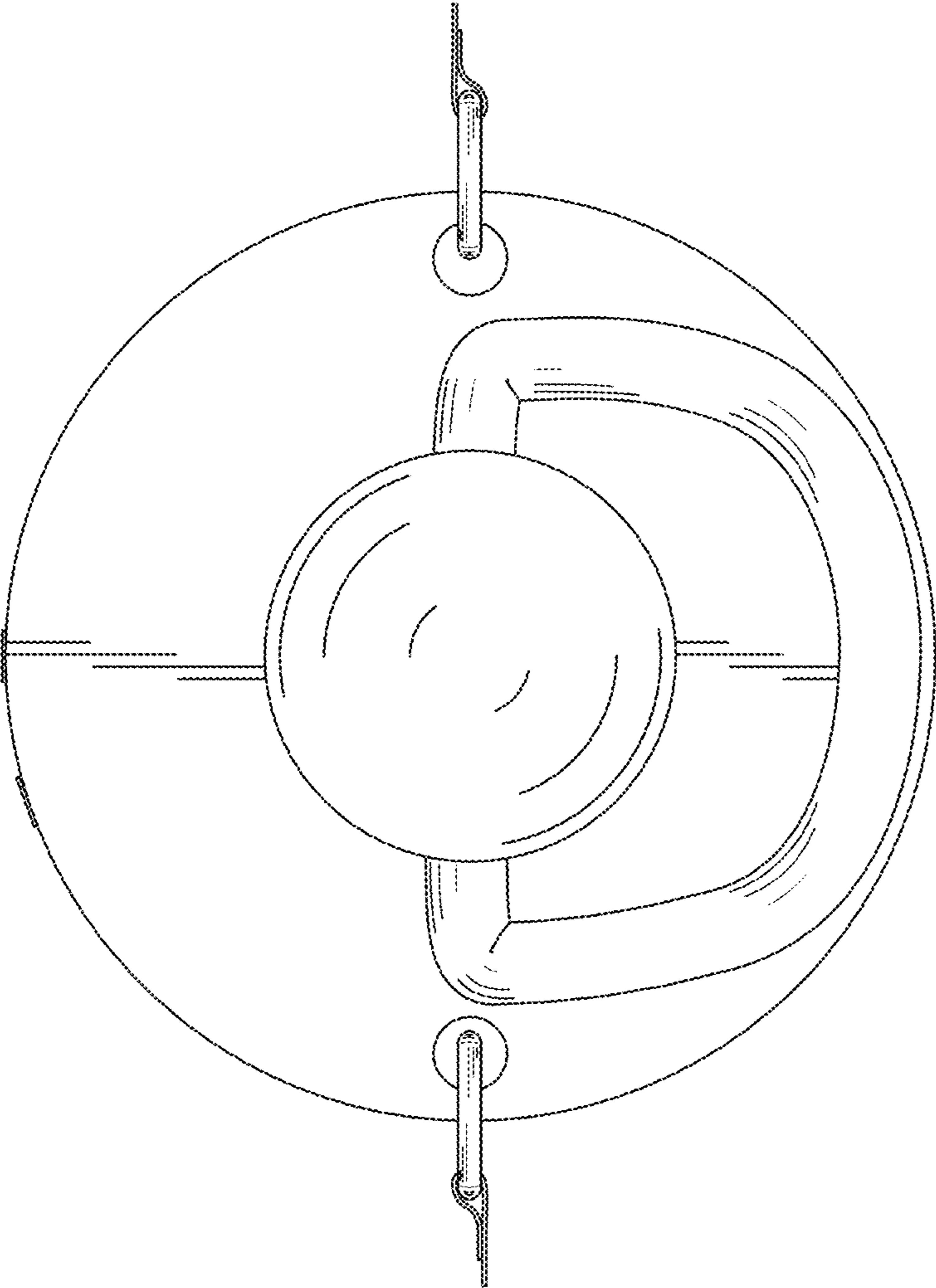


FIG. 8