



US00D794810S

(12) **United States Design Patent**
Sorbel et al.

(10) **Patent No.:** **US D794,810 S**
(45) **Date of Patent:** **** Aug. 15, 2017**

(54) **FOOT PHYSICAL THERAPY DEVICE**

(71) Applicants: **Shayna Sorbel**, Newport coast, CA
(US); **Floyd W. Kaylor**, Newport
Coast, CA (US)

(72) Inventors: **Shayna Sorbel**, Newport coast, CA
(US); **Floyd W. Kaylor**, Newport
Coast, CA (US)

(**) Term: **15 Years**

(21) Appl. No.: **29/546,851**

(22) Filed: **Nov. 25, 2015**

Related U.S. Application Data

(63) Continuation-in-part of application No. 13/723,057,
filed on Dec. 20, 2012, now Pat. No. 9,339,680.

(51) **LOC (10) Cl.** **24-04**

(52) **U.S. Cl.**
USPC **D24/192**; D21/685

(58) **Field of Classification Search**
USPC D24/188, 192; D29/121.2; D2/902;
D21/773, 685, 686, 694
CPC A61H 2201/1642; A61H 1/0237; A61H
1/0259; A61H 2201/1253; A61H
2201/1269; A61H 2203/0456; A61H 3/00;
A63B 21/00065; A63B 21/04; A63B
21/055; A63B 21/0552; A63B 21/4015;
A63B 2208/0204; A63B 23/08; A63B
2022/185

See application file for complete search history.

(56) **References Cited**

U.S. PATENT DOCUMENTS

D311,989 S * 11/1990 Parker D2/947
D336,548 S * 6/1993 Zeller D24/125
D368,289 S * 3/1996 Cotten D21/683
D395,336 S * 6/1998 Ball D2/947

5,935,671 A * 8/1999 Lhuillier A43B 1/0045
36/10
D425,680 S * 5/2000 Payne D2/898
D437,990 S * 2/2001 Hooper D2/961
D455,437 S * 4/2002 Knight D15/4
6,935,991 B1 * 8/2005 Mangino A61H 1/0237
36/140
D510,965 S * 10/2005 Clark B62M 3/08
D12/125
6,991,613 B2 * 1/2006 Sensabaugh A61F 5/0111
602/23
D536,518 S * 2/2007 Gallegos D2/961
(Continued)

Primary Examiner — George D Kirschbaum

Assistant Examiner — Jennifer Watkins

(74) *Attorney, Agent, or Firm* — CIONCA Law Group
P.C.; Marin Cionca

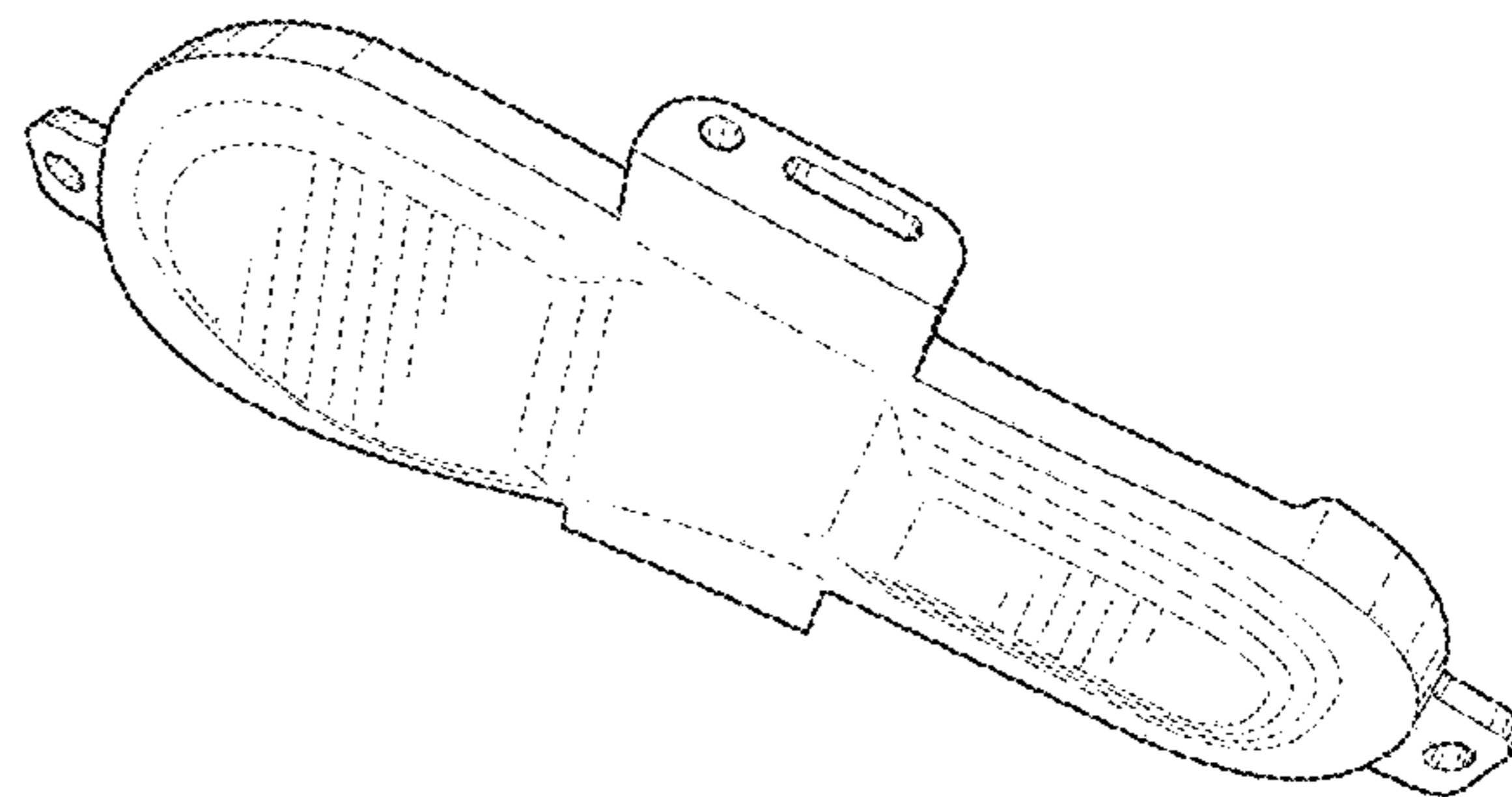
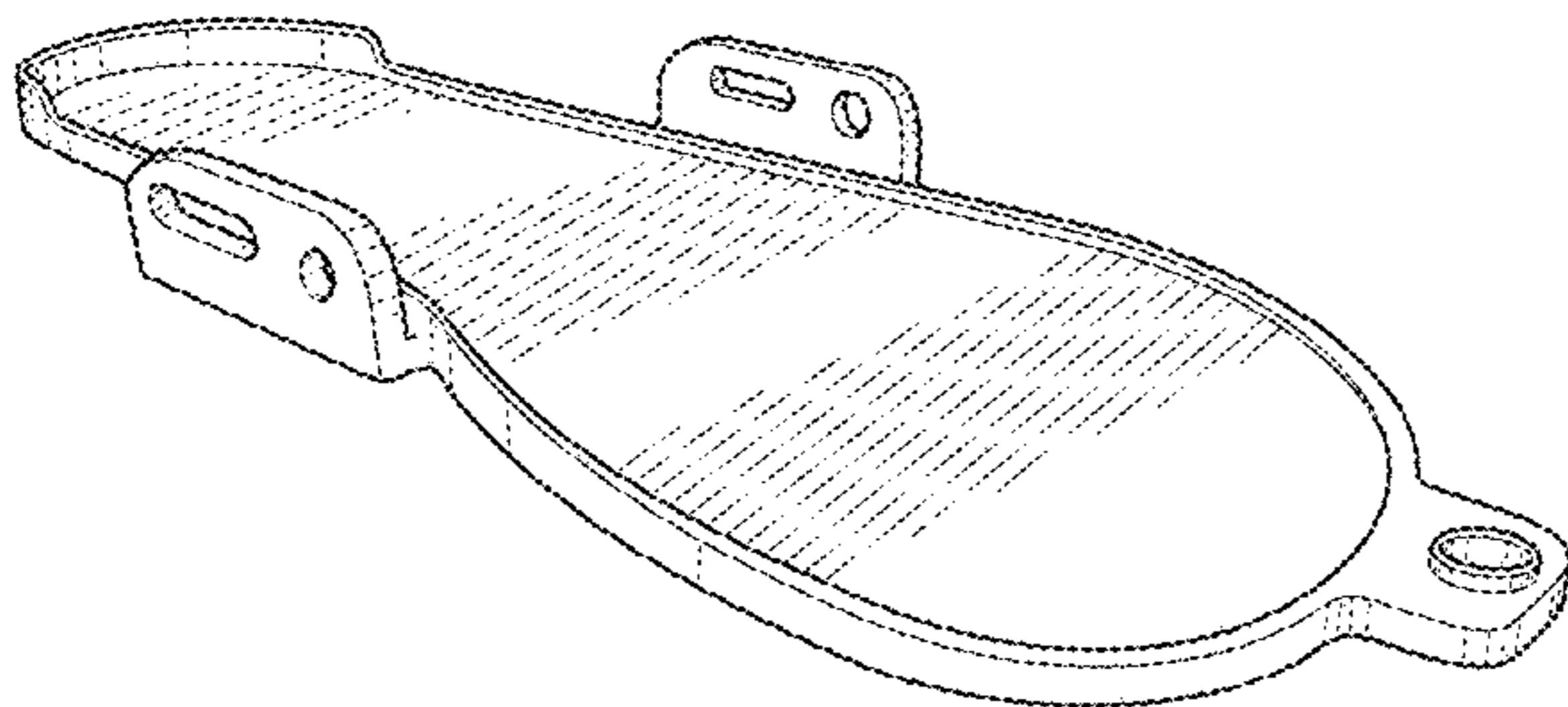
(57) **CLAIM**

The ornamental design for a foot physical therapy device,
substantially as shown.

DESCRIPTION

FIG. 1 is a top plan view of a foot physical therapy device
for the left foot showing the new design;
FIG. 2 is a top plan view of a second embodiment of the foot
physical therapy device of FIG. 1, and is a mirror image of
FIG. 1;
FIG. 3 is a right side elevation view of the foot physical
therapy device of FIG. 1;
FIG. 4 is a left side elevation view of the foot physical
therapy device of FIG. 1;
FIG. 5 is a top front perspective view of the foot physical
therapy device of FIG. 1;
FIG. 6 is a bottom left side perspective view of the foot
physical therapy device of FIG. 1;
FIG. 7 is a back elevation view of the foot physical therapy
device of FIG. 1; and,
FIG. 8 is a front elevation view of the foot physical therapy
device of FIG. 1.

1 Claim, 4 Drawing Sheets



(56)

References Cited

U.S. PATENT DOCUMENTS

D545,532 S * 7/2007 Sawtelle D2/947
D639,213 S * 6/2011 McElroy D12/114
D740,009 S * 10/2015 Pinto A61H 39/04
D2/961
D746,033 S * 12/2015 Cherneski D2/961
D752,327 S * 3/2016 Yoon D2/961
D753,908 S * 4/2016 Vasyli D2/961
D774,149 S * 12/2016 Estrada, Jr. D21/685

* cited by examiner

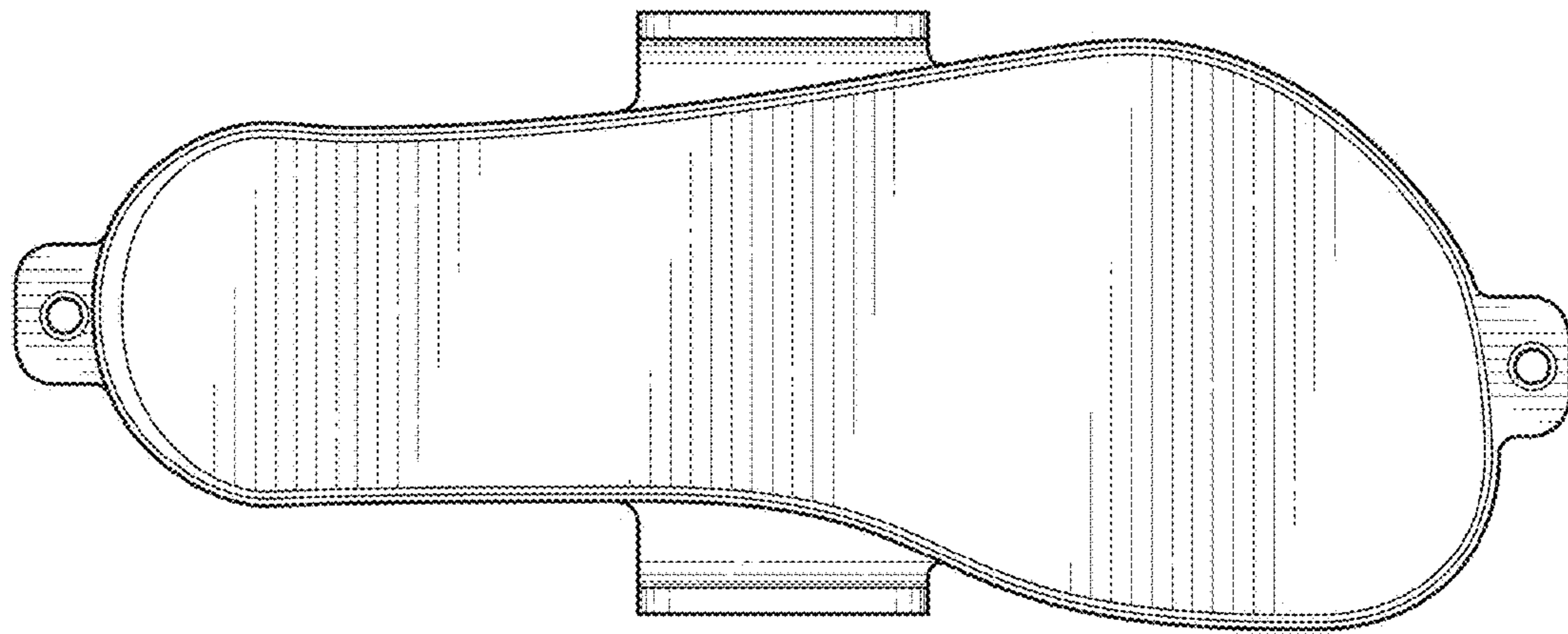


FIG. 1

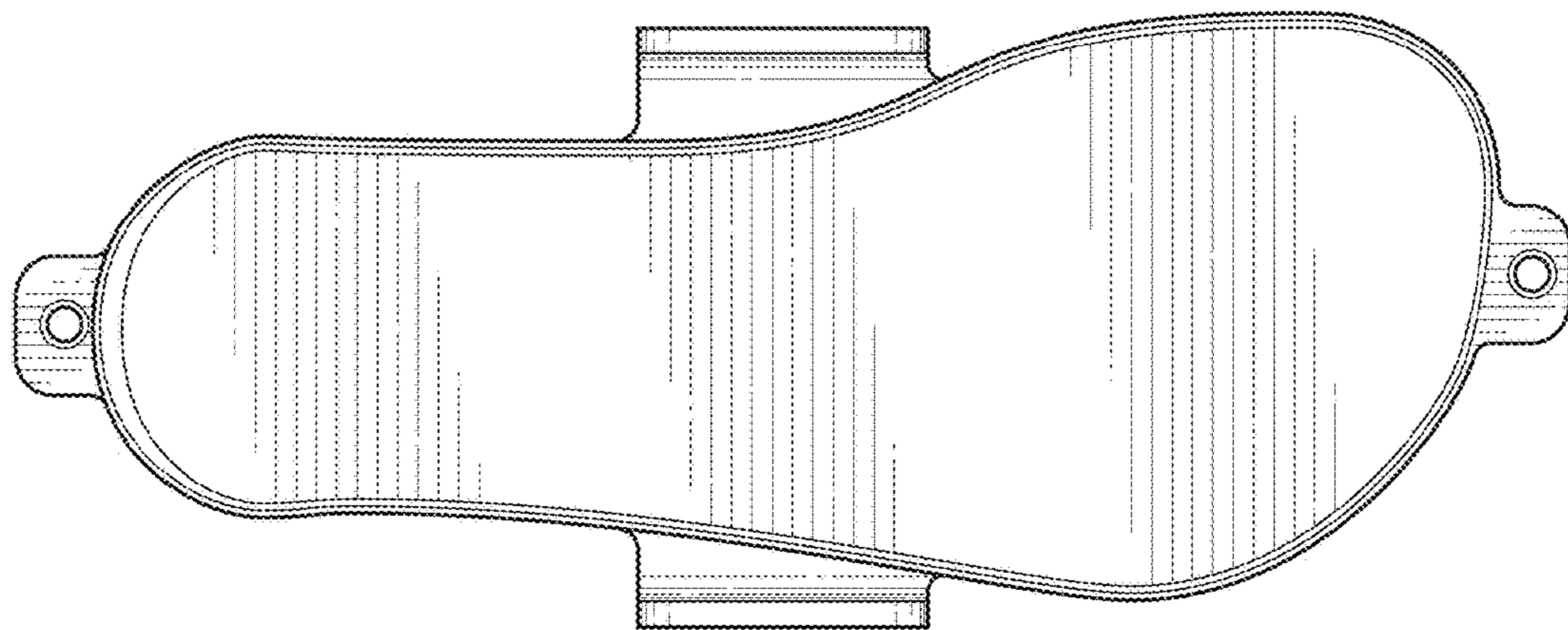


FIG. 2

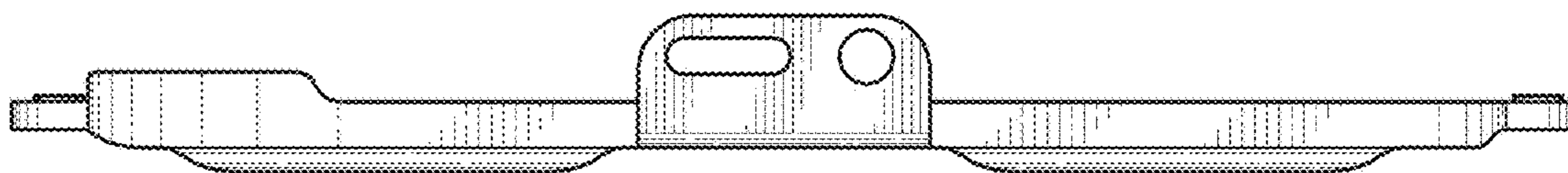


FIG. 3

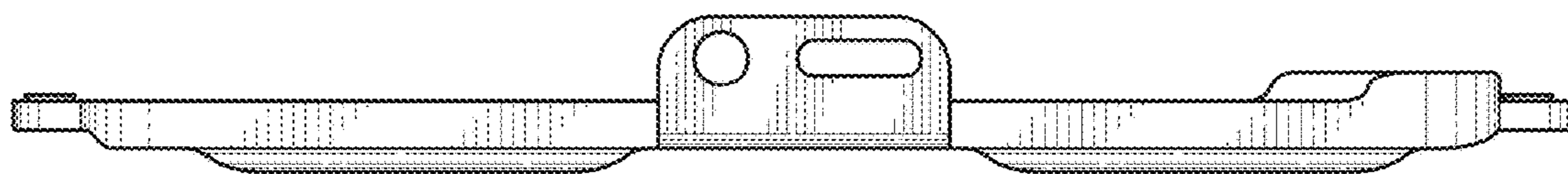


FIG. 4

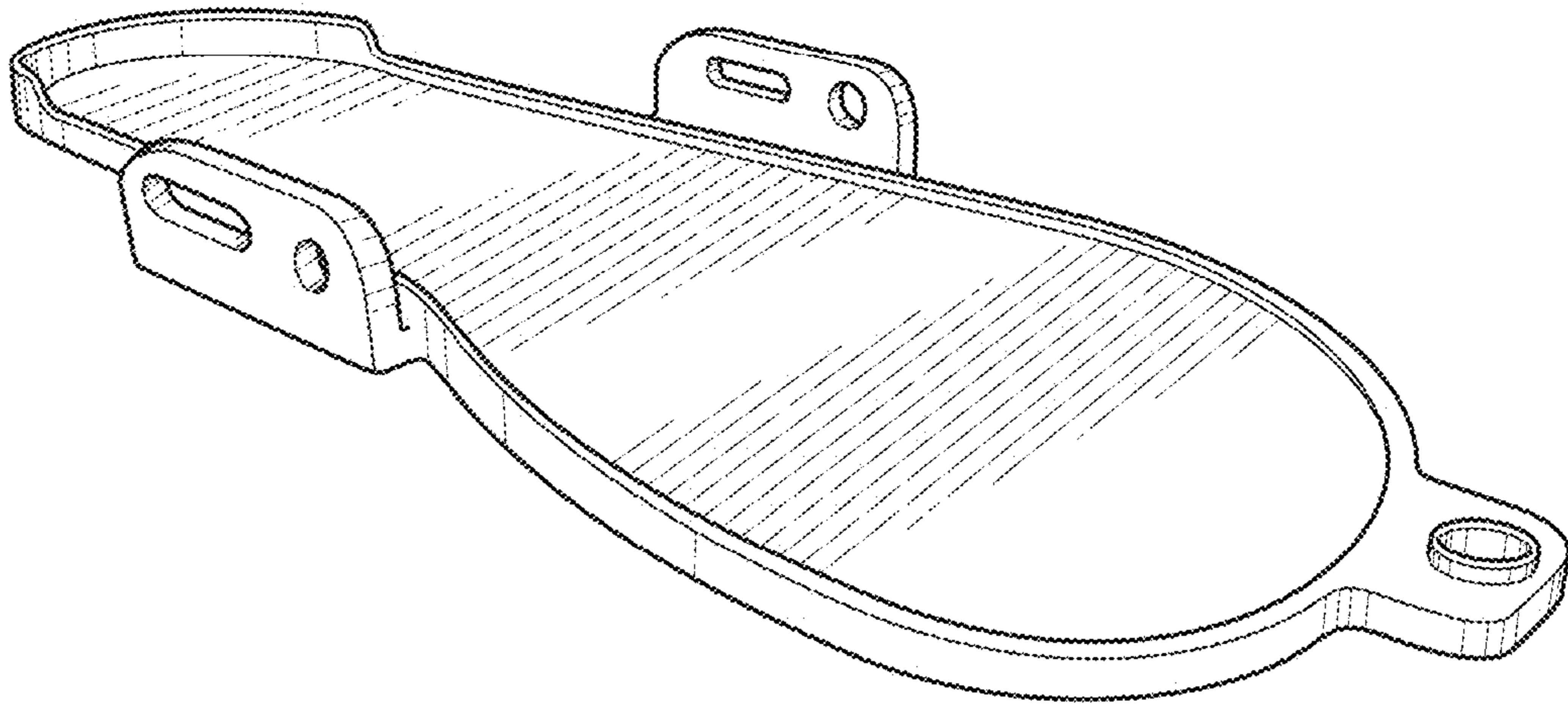


FIG. 5

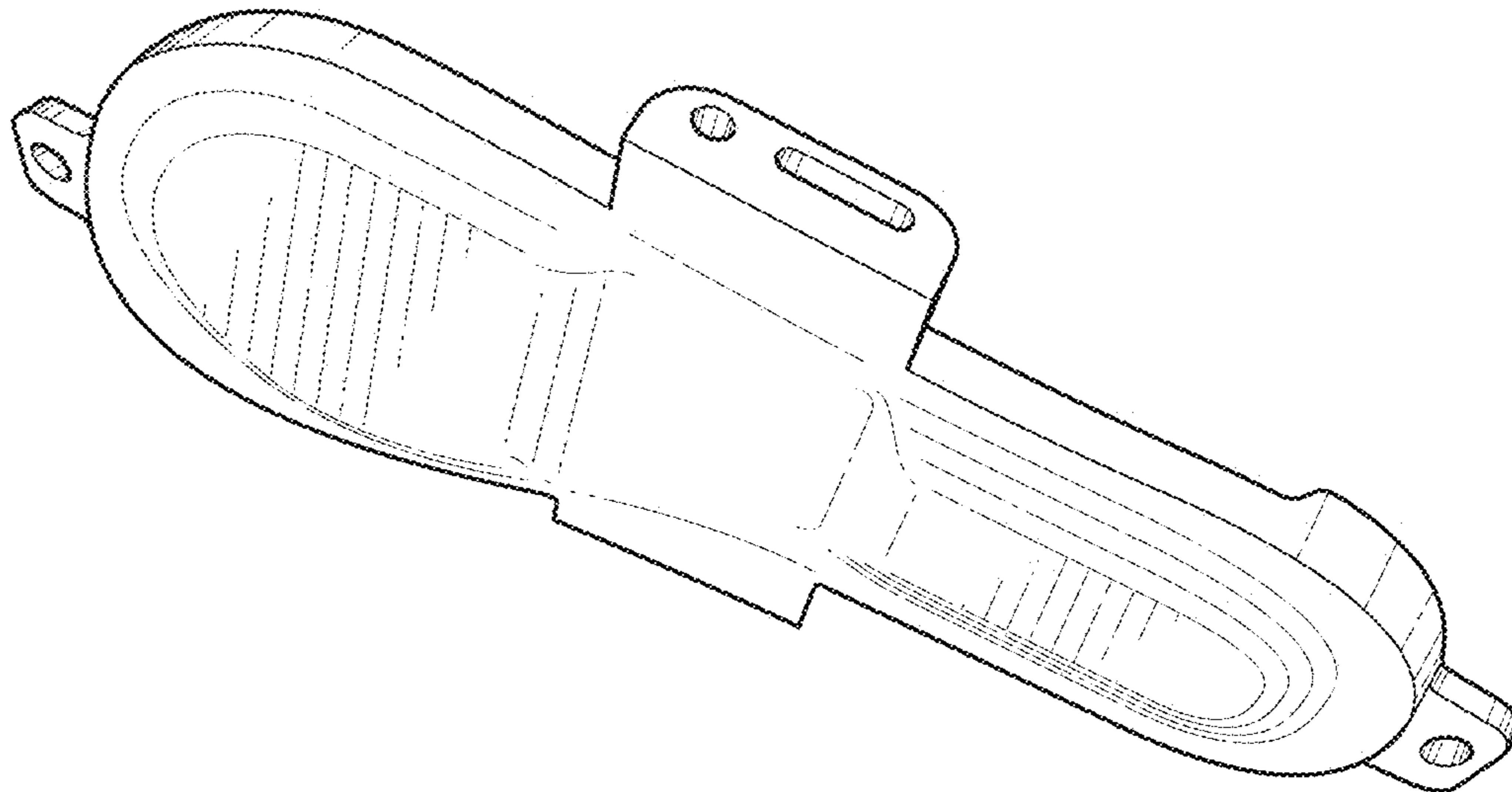


FIG. 6

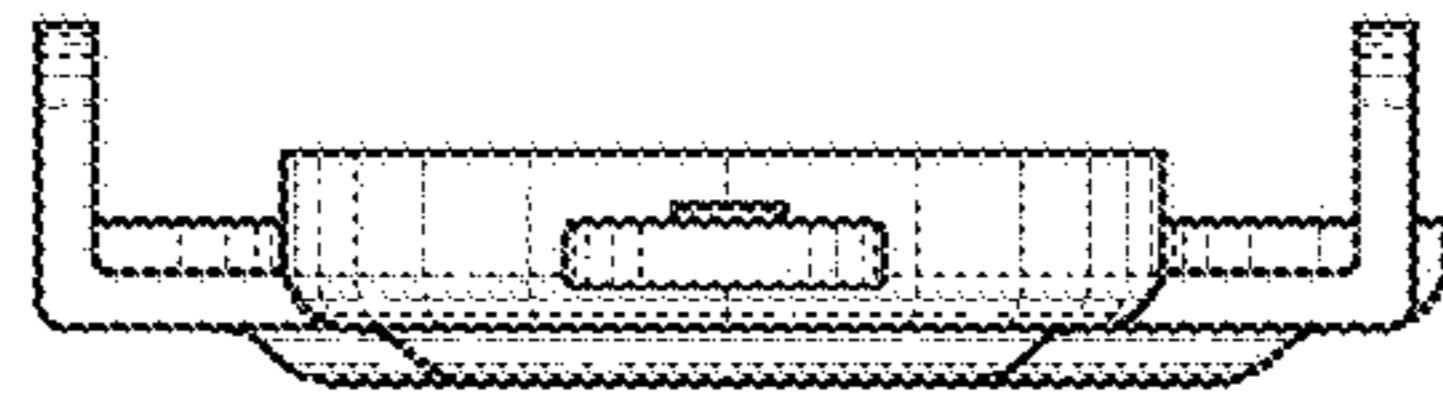


FIG. 7

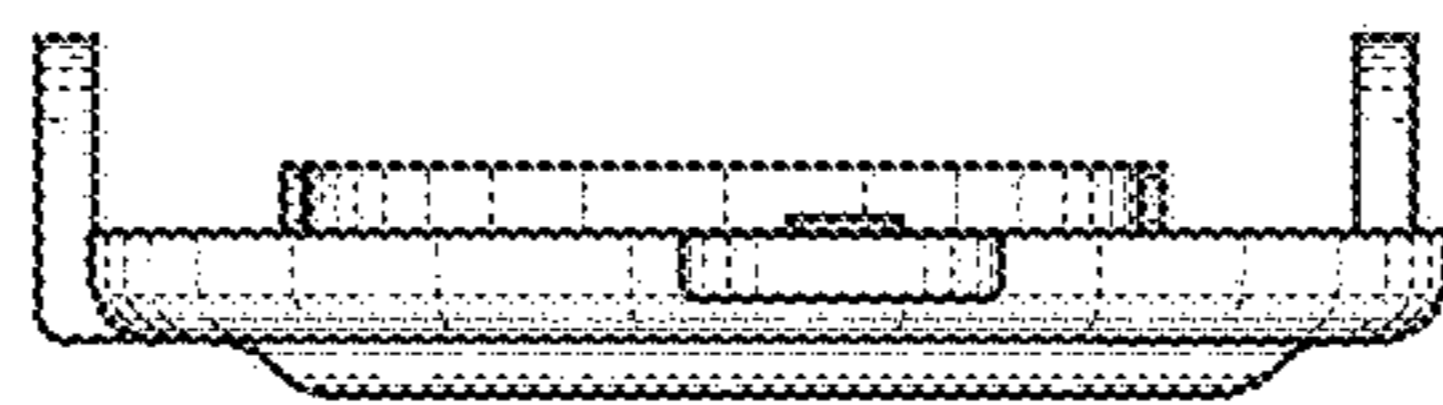


FIG. 8