



US00D794809S

(12) **United States Design Patent**
Gramza et al.

(10) **Patent No.:** **US D794,809 S**

(45) **Date of Patent:** **** Aug. 15, 2017**

- (54) **BACK BRACE**
- (71) Applicant: **3M INNOVATIVE PROPERTIES COMPANY**, St. Paul, MN (US)
- (72) Inventors: **Beth E. Gramza**, Cincinnati, OH (US);
Sherry A. Hinds, Goshen, OH (US);
Anna K. Peterson, Cincinnati, OH (US);
Angela L. Pan, Arden Hills, MN (US)
- (73) Assignee: **3M INNOVATIVE PROPERTIES COMPANY**, St. Paul, MN (US)

- 5,179,942 A * 1/1993 Drulias A61F 5/028
128/101.1
- D353,890 S * 12/1994 McKeel D24/190
- 5,445,601 A * 8/1995 Harlow A61F 5/028
128/845
- 6,336,908 B1 * 1/2002 Slutterback A61F 5/028
2/312
- 6,852,088 B2 * 2/2005 Gaylord A61F 5/32
602/19
- D601,705 S * 10/2009 Bauerfeind D24/189
- D625,019 S * 10/2010 Chiang D24/190
- D635,682 S * 4/2011 Chiang D24/190
- D725,786 S * 3/2015 Romo D24/190
- 2004/0077981 A1 * 4/2004 Weaver, II A61F 5/028
602/19

(**) Term: **15 Years**

(21) Appl. No.: **29/548,887**

(22) Filed: **Dec. 17, 2015**

(51) **LOC (10) Cl.** **24-04**

(52) **U.S. Cl.**
USPC **D24/190**

(58) **Field of Classification Search**
USPC D24/188-190, 200, 206; D21/683, 687,
D21/688, 689; D29/100, 101.3, 101.5;
D2/624, 627, 629, 634, 635
CPC A61F 5/028; A61F 5/03; A61F 7/02; A61F
5/34; A61H 2201/1628; A61H 2205/081;
A41D 13/0525; A41D 13/0531; A41C
1/08

See application file for complete search history.

(56) **References Cited**

U.S. PATENT DOCUMENTS

- D33,442 S * 10/1900 Gaisman D2/627
- D34,048 S * 2/1901 Ross D2/627
- D291,005 S * 7/1987 Berlese D2/636

* cited by examiner

Primary Examiner — George D Kirschbaum

Assistant Examiner — Jennifer Watkins

(74) *Attorney, Agent, or Firm* — Irina Hass

(57) **CLAIM**

The ornamental design for a back brace, as shown and described.

DESCRIPTION

FIG. 1 is a perspective view showing a new design for a back brace;

FIG. 2 is a front view thereof;

FIG. 3 is a rear view thereof;

FIG. 4 is a bottom view thereof;

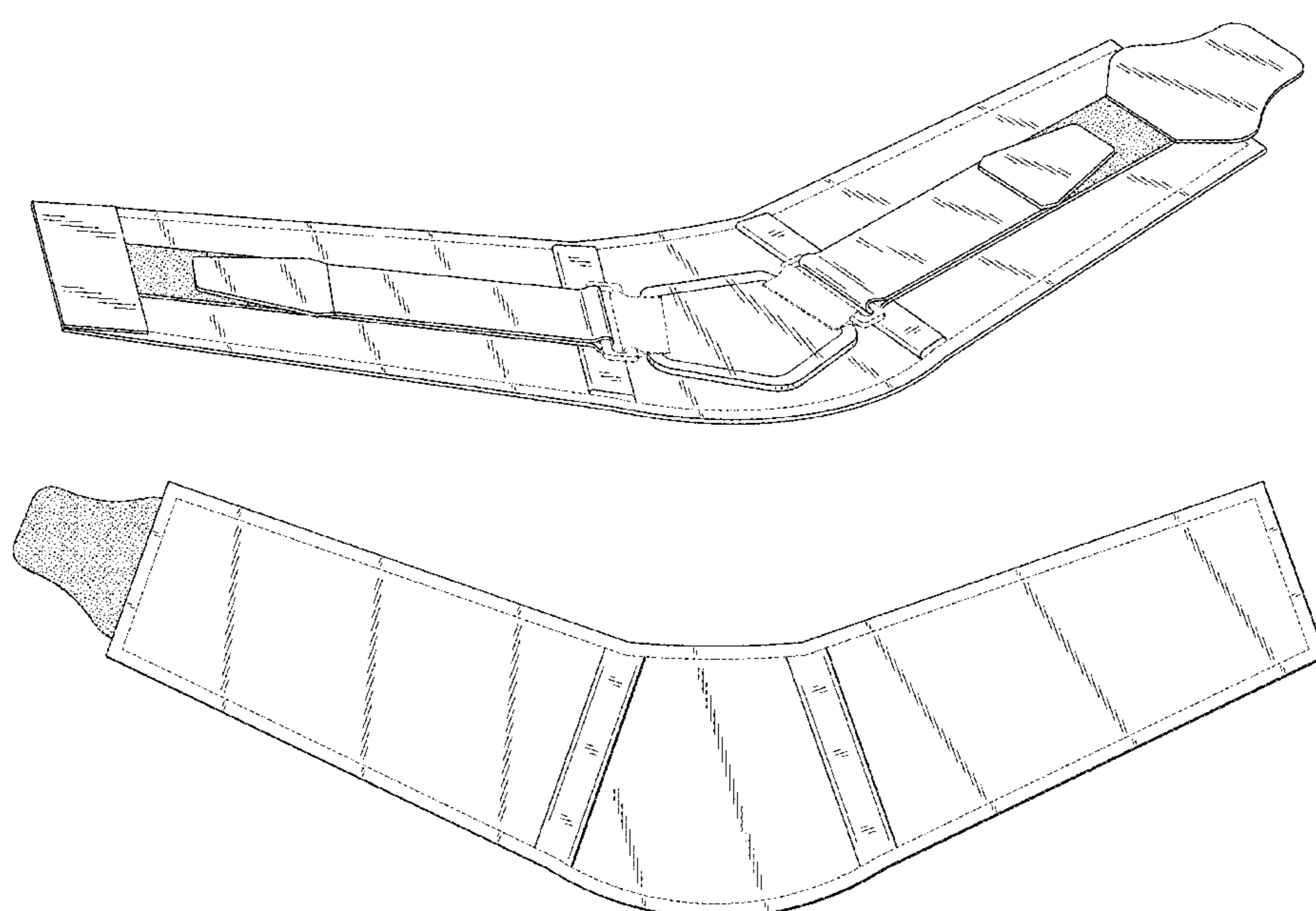
FIG. 5 is a top view thereof;

FIG. 6 is a left side view thereof; and,

FIG. 7 is a right side view thereof.

The lines of stitching in FIGS. 1-3 form no part of the claimed design. The portions of the back brace in FIGS. 1-7 shown in broken lines are included to show features that form no part of the claimed design.

1 Claim, 2 Drawing Sheets



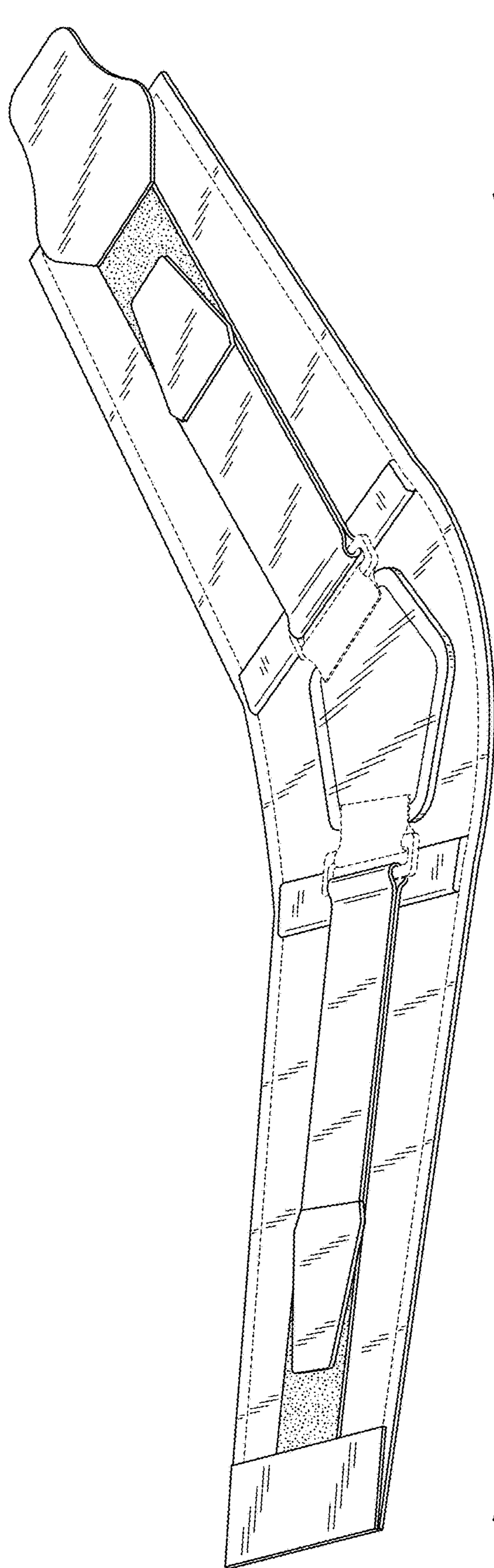


FIG. 1

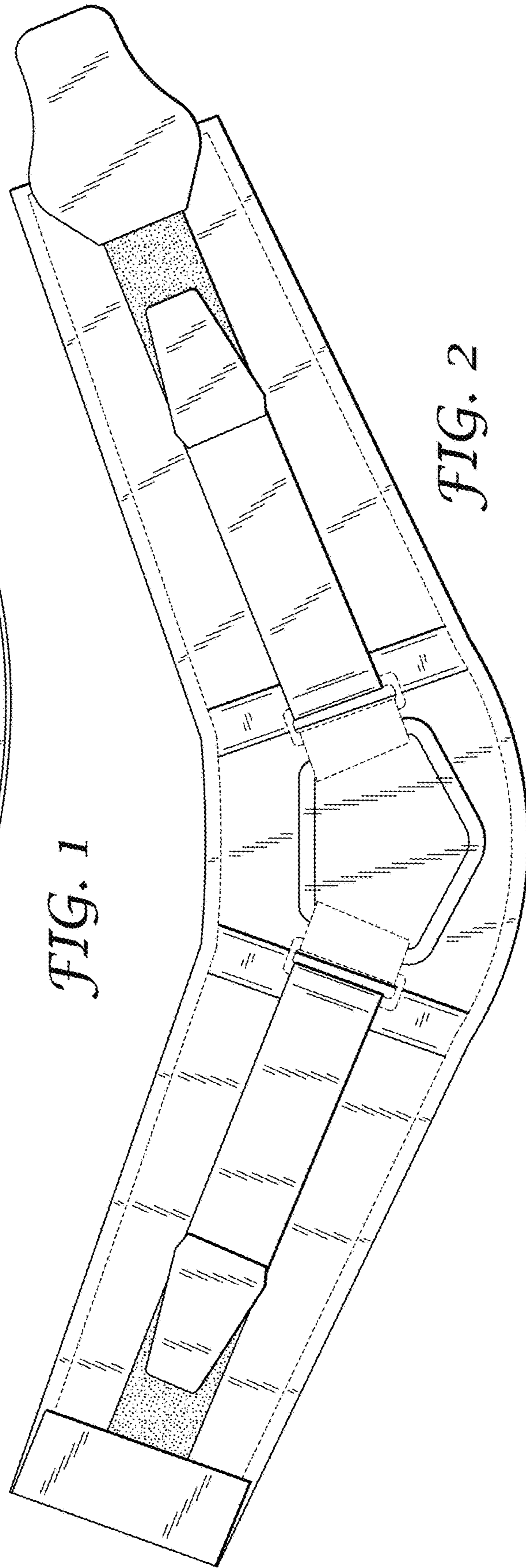


FIG. 2

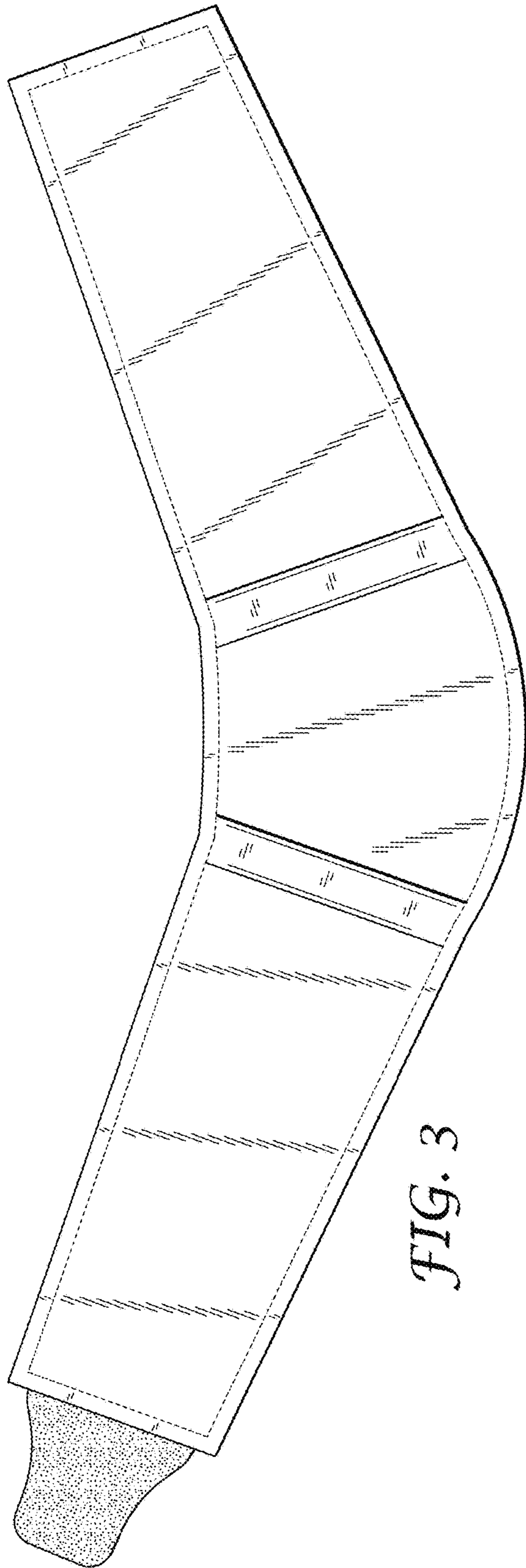


FIG. 3

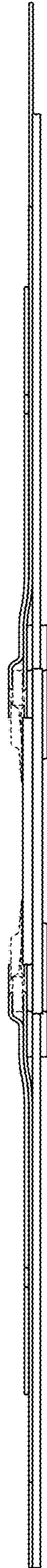


FIG. 4

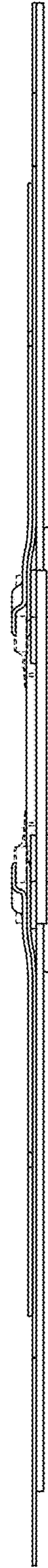


FIG. 5



FIG. 6



FIG. 7