



US00D794804S

(12) **United States Design Patent**
Buddemeyer

(10) **Patent No.:** **US D794,804 S**

(45) **Date of Patent:** **** Aug. 15, 2017**

(54) **PIVOT FOR ORTHODONTIC APPLIANCE**

(71) Applicant: **Darren G Buddemeyer**, Frontenac,
MO (US)

(72) Inventor: **Darren G Buddemeyer**, Frontenac,
MO (US)

(73) Assignee: **Ortho Solutions, LC**, St. Ann, MO
(US)

(**) Term: **15 Years**

(21) Appl. No.: **29/505,365**

(22) Filed: **Sep. 28, 2015**

Related U.S. Application Data

(62) Division of application No. 29/463,597, filed on Jan.
9, 2014, now Pat. No. Des. 749,737.

(51) **LOC (10) Cl.** **24-99**

(52) **U.S. Cl.**
USPC **D24/180**

(58) **Field of Classification Search**

USPC D24/180-182, 176, 156, 128-129
CPC A61C 3/00; A61C 7/00; A61C 7/08; A61C
7/10; A61C 7/12; A61C 7/18; A61C 7/28;
A61C 7/282; A61C 7/36

See application file for complete search history.

(56) **References Cited**

U.S. PATENT DOCUMENTS

3,164,901 A * 1/1965 Wallshein A61C 7/12
433/16

D239,018 S 3/1976 Knox

D239,021 S	3/1976	D'Alo	
D239,024 S	3/1976	D'Alo	
5,183,388 A *	2/1993	Kumar A61C 7/36 433/19
D399,562 S	10/1998	Mendoza	
6,036,488 A *	3/2000	Williams A61C 7/10 433/17
6,244,862 B1 *	6/2001	Hanks A61C 7/10 433/19
D531,015 S	10/2006	Lin	
7,578,672 B2 *	8/2009	Sheikh A61C 7/36 433/19
D671,208 S *	11/2012	Trifilio D24/128
9,144,474 B2 *	9/2015	Faust A61C 7/36
9,237,941 B2 *	1/2016	Hayes A61C 7/36
2006/0234180 A1 *	10/2006	Huge A61C 7/36 433/19

* cited by examiner

Primary Examiner — Wan Laymon

(74) *Attorney, Agent, or Firm* — Paul M. Denk

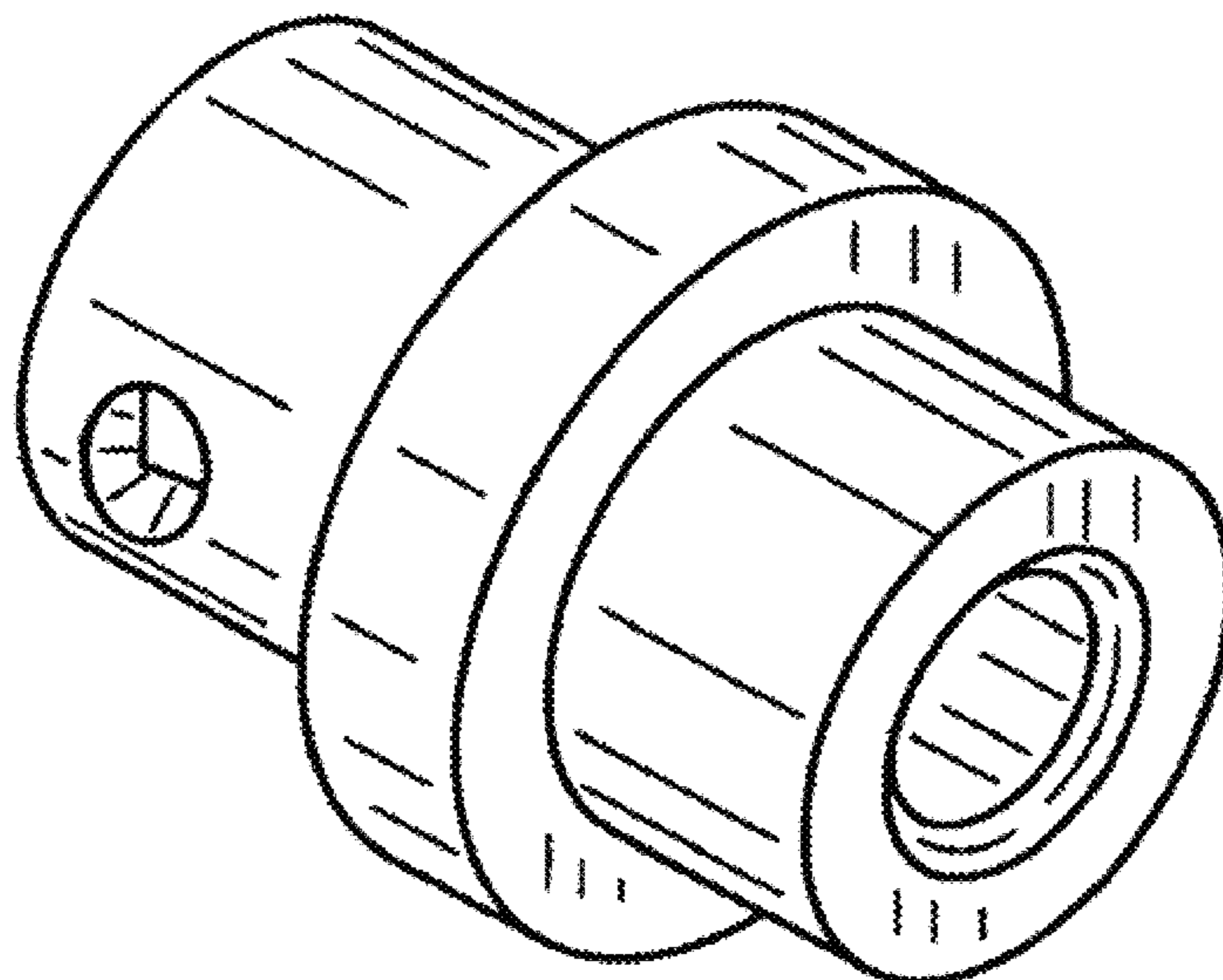
(57) **CLAIM**

The ornamental design for the pivot for orthodontic appli-
ance, as shown and described.

DESCRIPTION

FIG. 1 is an isometric view of the pivot for orthodontic
appliance of this invention;
FIG. 2 is a left side view, the right side view being a mirror
image thereof;
FIG. 3 is a top view, the bottom view being a mirror image
thereof;
FIG. 4 is a back end view; and,
FIG. 5 is a front end view of the pivot.

1 Claim, 1 Drawing Sheet



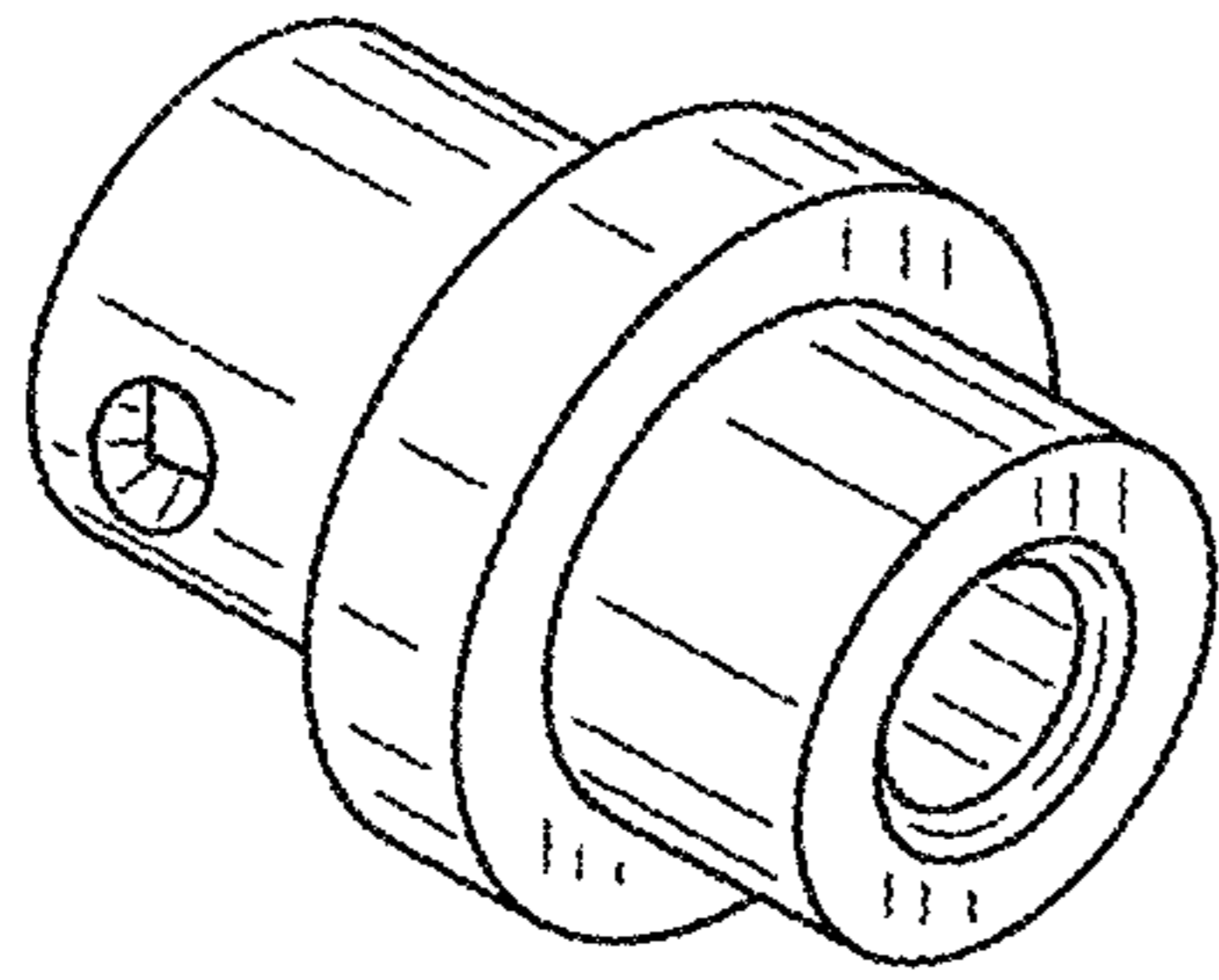


FIG. 1

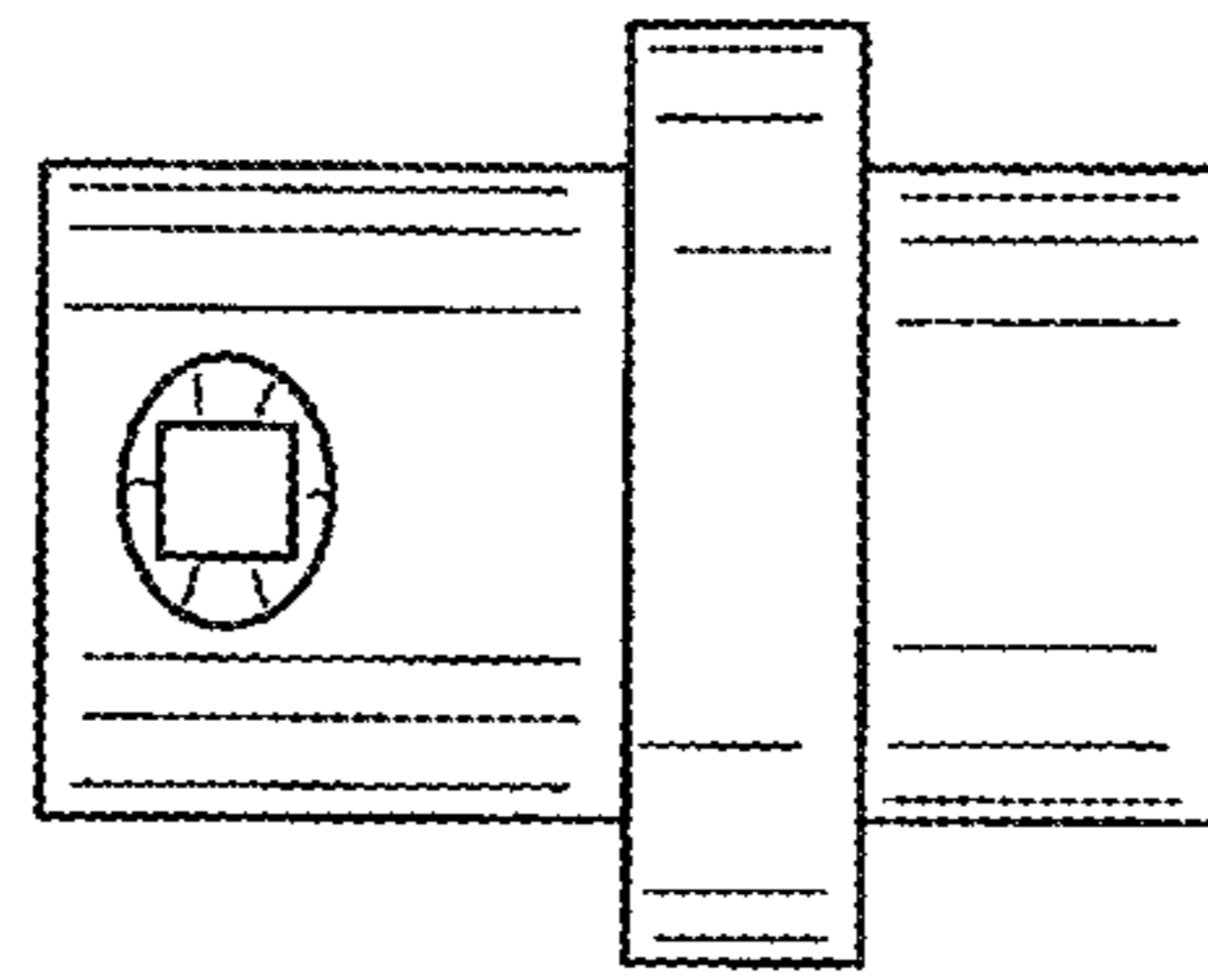


FIG. 2

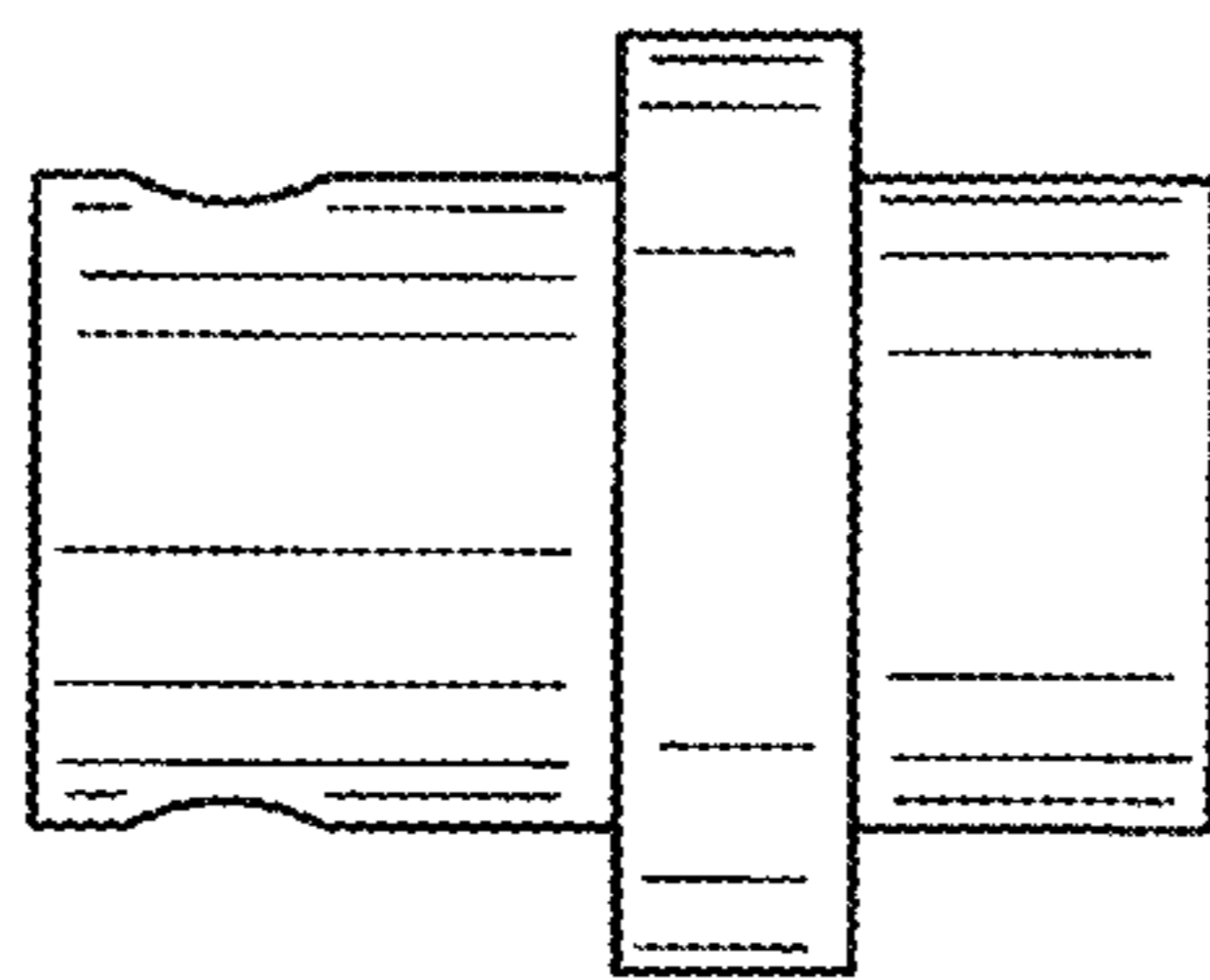


FIG. 3

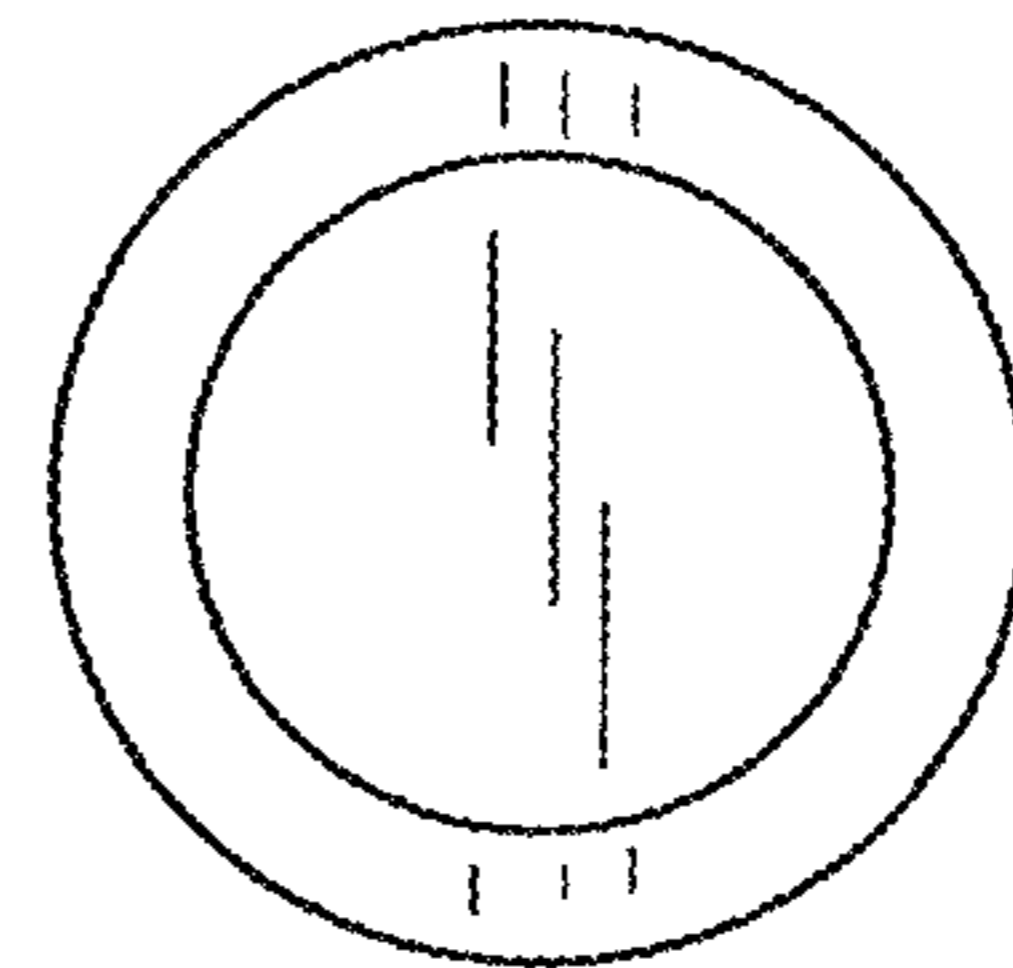


FIG. 4

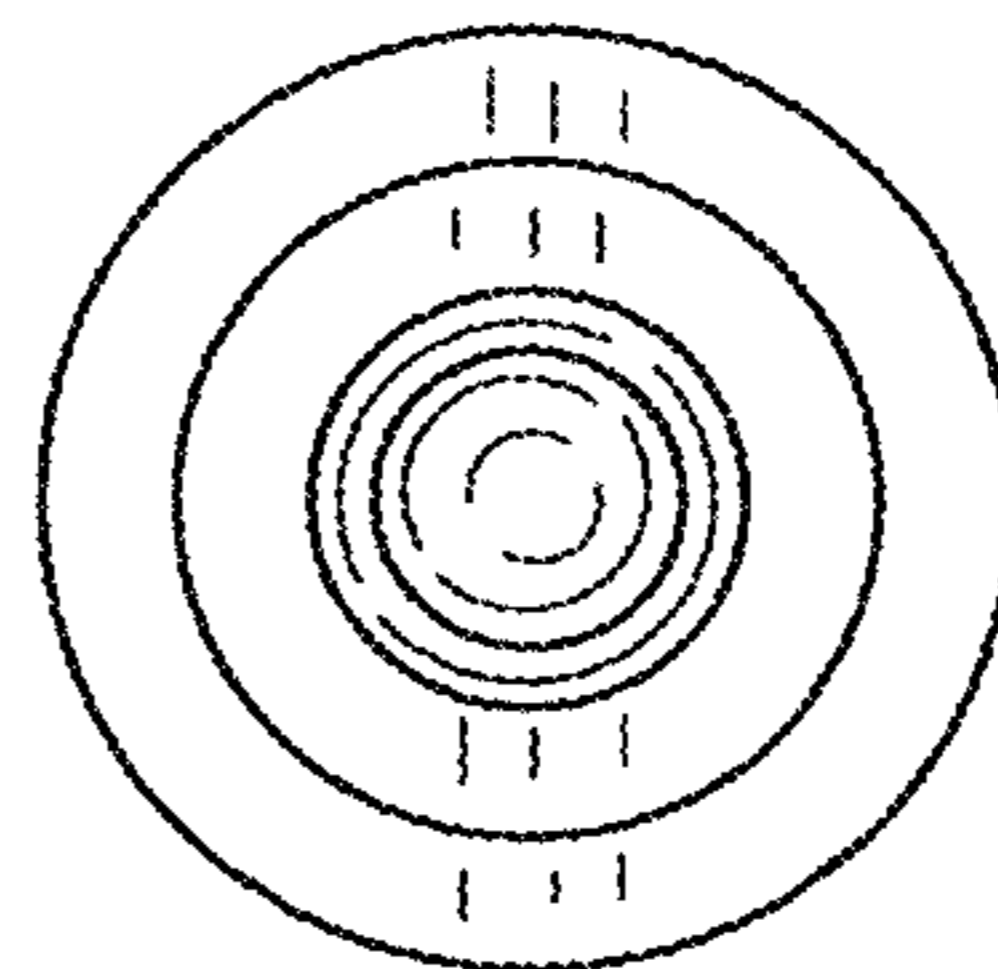


FIG. 5