



US00D794799S

(12) **United States Design Patent** (10) **Patent No.:** **US D794,799 S**  
**Achleitner et al.** (45) **Date of Patent:** **\*\* Aug. 15, 2017**

(54) **MEDICAL APPARATUS FOR IMAGING HAVING AN ORNAMENTATION**

(71) Applicant: **Siemens Healthcare GmbH**, Erlangen (DE)

(72) Inventors: **Roman Achleitner**, Nuremberg (DE); **Peter Distler**, Moehrendorf (DE)

(73) Assignee: **Siemens Healthcare GmbH**, Erlangen (DE)

(\*\*) Term: **15 Years**

(21) Appl. No.: **29/562,847**

(22) Filed: **Apr. 29, 2016**

(30) **Foreign Application Priority Data**

Oct. 30, 2015 (EM) ..... 002842831

(51) **LOC (10) Cl.** ..... **24-01**

(52) **U.S. Cl.**  
USPC ..... **D24/158**

(58) **Field of Classification Search**  
USPC ..... D24/158-161, 185, 186, 107; D5/11, 12, D5/23, 48, 54, 58, 59  
CPC .. A61B 5/05; A61B 5/055; A61B 6/03; A61B 6/035  
See application file for complete search history.

(56) **References Cited**

**U.S. PATENT DOCUMENTS**

D215,033 S \* 8/1969 Ottens ..... D5/47  
D462,180 S \* 9/2002 Kao ..... D5/58

(Continued)

*Primary Examiner* — Anhdao Doan

(74) *Attorney, Agent, or Firm* — Schiff Hardin LLP

(57) **CLAIM**

The ornamental design for a medical apparatus for imaging having an ornamentation, as shown and described.

**DESCRIPTION**

The patent or application file contains at least one drawing executed in color. Copies of this patent or patent application

publication with color drawing(s) will be provided by the Office upon request and payment of the necessary fee. Further, high-quality electronic copies of the drawings are available in the Office's electronic record of this application. FIG. 1 is a front elevational view of a medical apparatus for imaging having an ornamentation according to a first embodiment of the present disclosure; FIG. 2 is a back elevational view thereof; FIG. 3 is a top plan view thereof; FIG. 4 is a bottom plan view thereof; FIG. 5 is a side elevational view of the right side thereof; FIG. 6 is a side elevational view of the left side thereof; and FIG. 7 is a perspective view taken generally from the upper, front, right-hand side thereof.

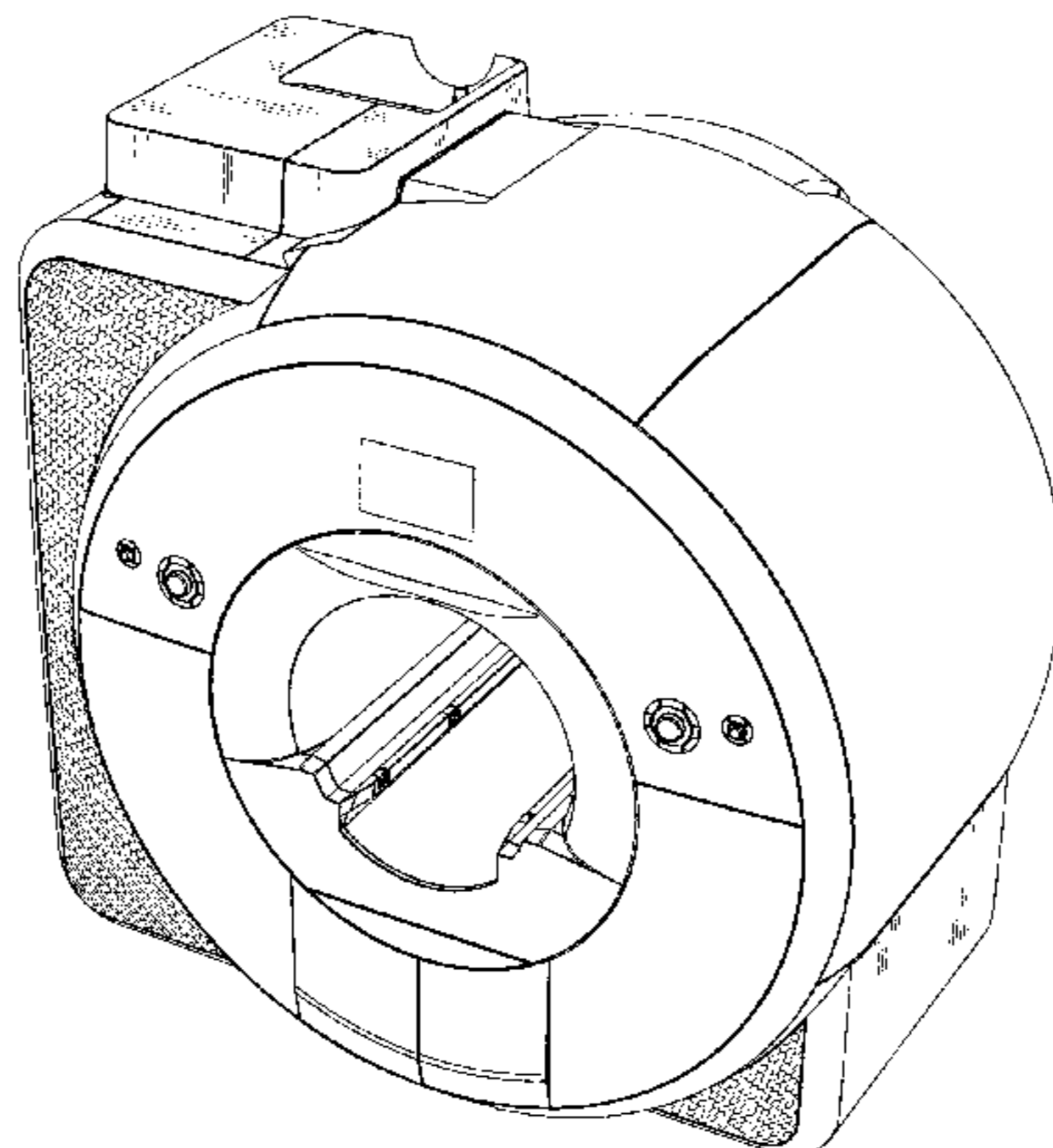
FIG. 8 is a front elevational view of a medical apparatus for imaging having an ornamentation according to a second embodiment of the present disclosure.

The back elevational view, top plan view, bottom plan view, right side elevational view, and left side elevational view of the second embodiment are identical to the corresponding views of the first embodiment as shown in FIGS. 2-6, respectively. The perspective view taken generally from the upper, front, right-hand side thereof of the second embodiment is identical to the corresponding perspective view of the first embodiment as shown in FIG. 7 except for the addition of the color as shown in the front elevational view of the second embodiment in FIG. 8.

FIG. 9 is a front elevational view of a medical apparatus for imaging having an ornamentation according to a third embodiment of the present disclosure.

The back elevational view, top plan view, bottom plan view, right side elevational view, and left side elevational view of the third embodiment are identical to the corresponding views of the first embodiment as shown in FIGS. 2-6, respectively. The perspective view taken generally from the upper, front, right-hand side thereof of the third embodiment is identical to the corresponding perspective view of the first

(Continued)



embodiment as shown in FIG. 7 except for the addition of the color as shown in the front elevational view of the third embodiment in FIG. 9.

FIG. 10 is a front elevational view of a medical apparatus for imaging having an ornamentation according to a fourth embodiment of the present disclosure.

The back elevational view, top plan view, bottom plan view, right side elevational view, and left side elevational view of the fourth embodiment are identical to the corresponding views of the first embodiment as shown in FIGS. 2-6, respectively. The perspective view taken generally from the upper, front, right-hand side thereof of the fourth embodiment is identical to the corresponding perspective view of the first embodiment as shown in FIG. 7 except for the addition of the color as shown in the front elevational view of the fourth embodiment in FIG. 10; and,

FIG. 11 is a front elevational view of a medical apparatus for imaging having an ornamentation according to a fifth embodiment of the present disclosure.

The back elevational view, top plan view, bottom plan view, right side elevational view, and left side elevational view of the fifth embodiment are identical to the corresponding views of the first embodiment as shown in FIGS. 2-6, respectively. The perspective view taken generally from the

upper, front, right-hand side thereof of the fifth embodiment is identical to the corresponding perspective view of the first embodiment as shown in FIG. 7 except for the addition of the color as shown in the front elevational view of the fifth embodiment in FIG. 11.

**1 Claim, 11 Drawing Sheets  
(4 of 11 Drawing Sheet(s) Filed in Color)**

(56)

**References Cited**

U.S. PATENT DOCUMENTS

D555,910	S *	11/2007	Simoni	.....	D5/58
D651,809	S *	1/2012	Steeman	.....	D5/58
D678,527	S *	3/2013	Boninger	.....	D24/158
D703,321	S *	4/2014	Wodecki	.....	D24/158
D738,505	S *	9/2015	Eberler	.....	D24/158
D751,302	S *	3/2016	Shirai	.....	D5/53
D768,395	S *	10/2016	Nelson	.....	D5/59
2009/0080186	A1 *	3/2009	Helmreich	.....	A61B 5/055 362/231
2012/0230465	A1 *	9/2012	Matsuzawa	.....	A61B 6/035 378/13
2013/0162254	A1 *	6/2013	Hierl	.....	G01R 33/28 324/319

\* cited by examiner

FIG. 1

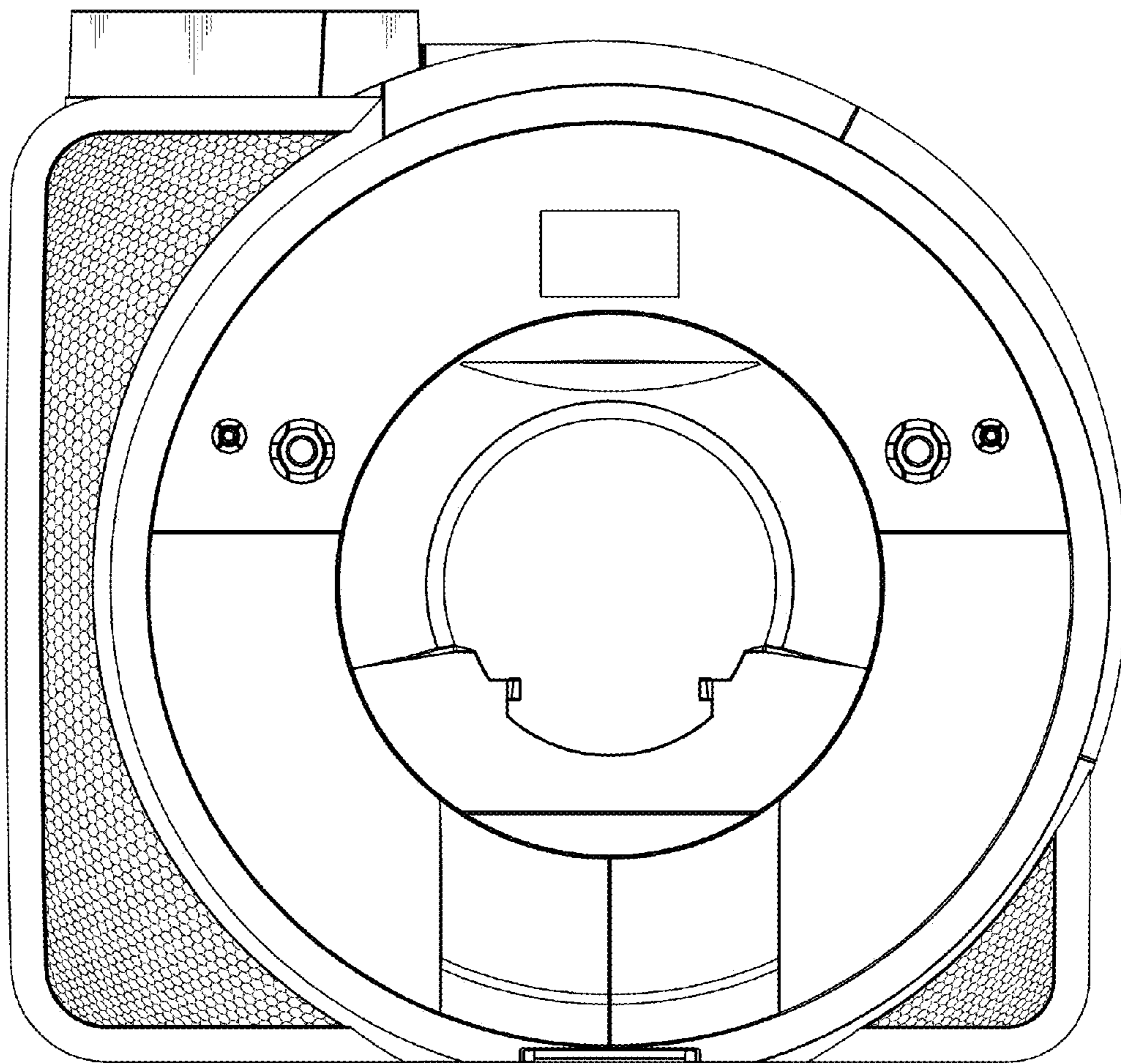


FIG. 2

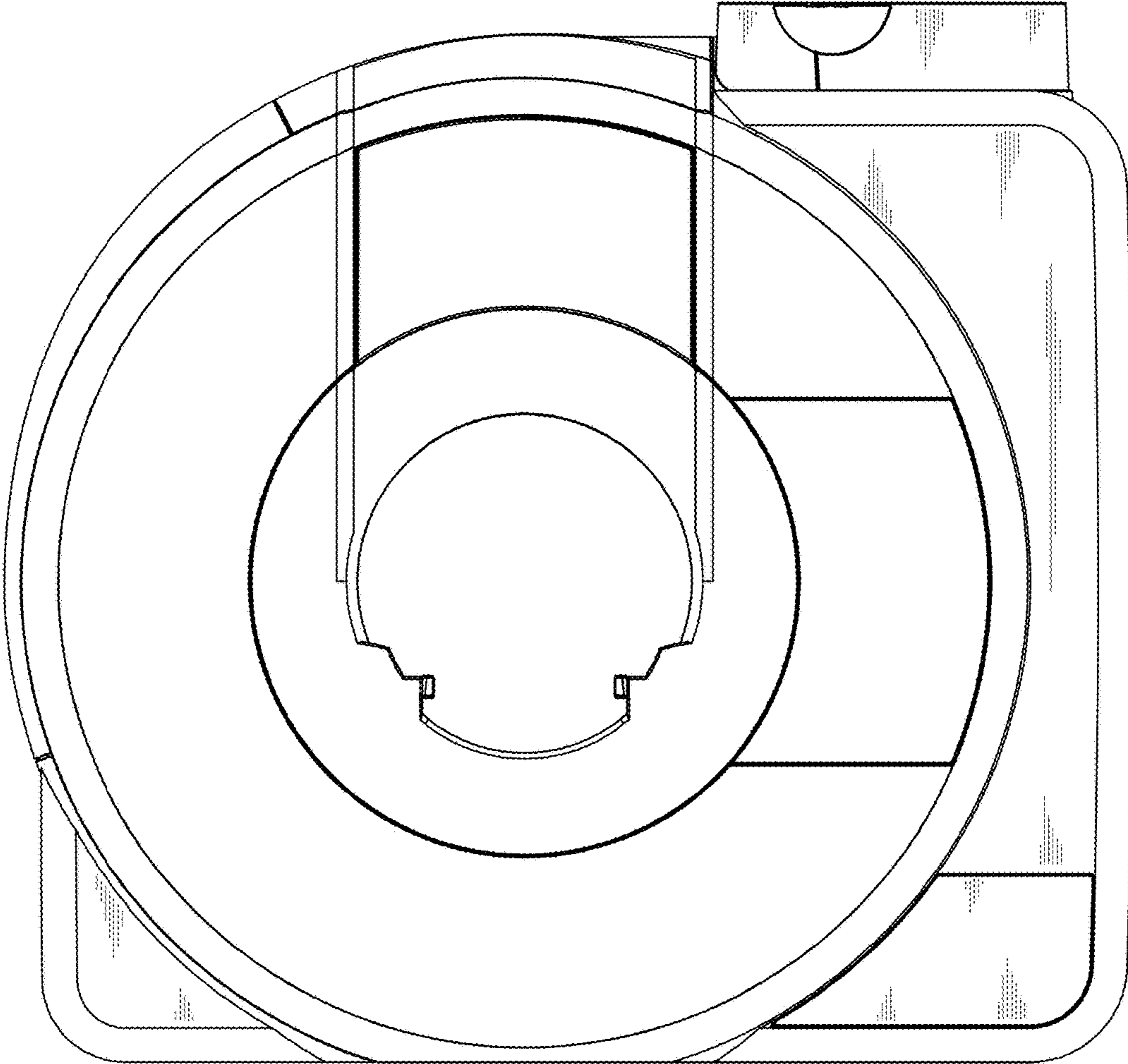


FIG. 3

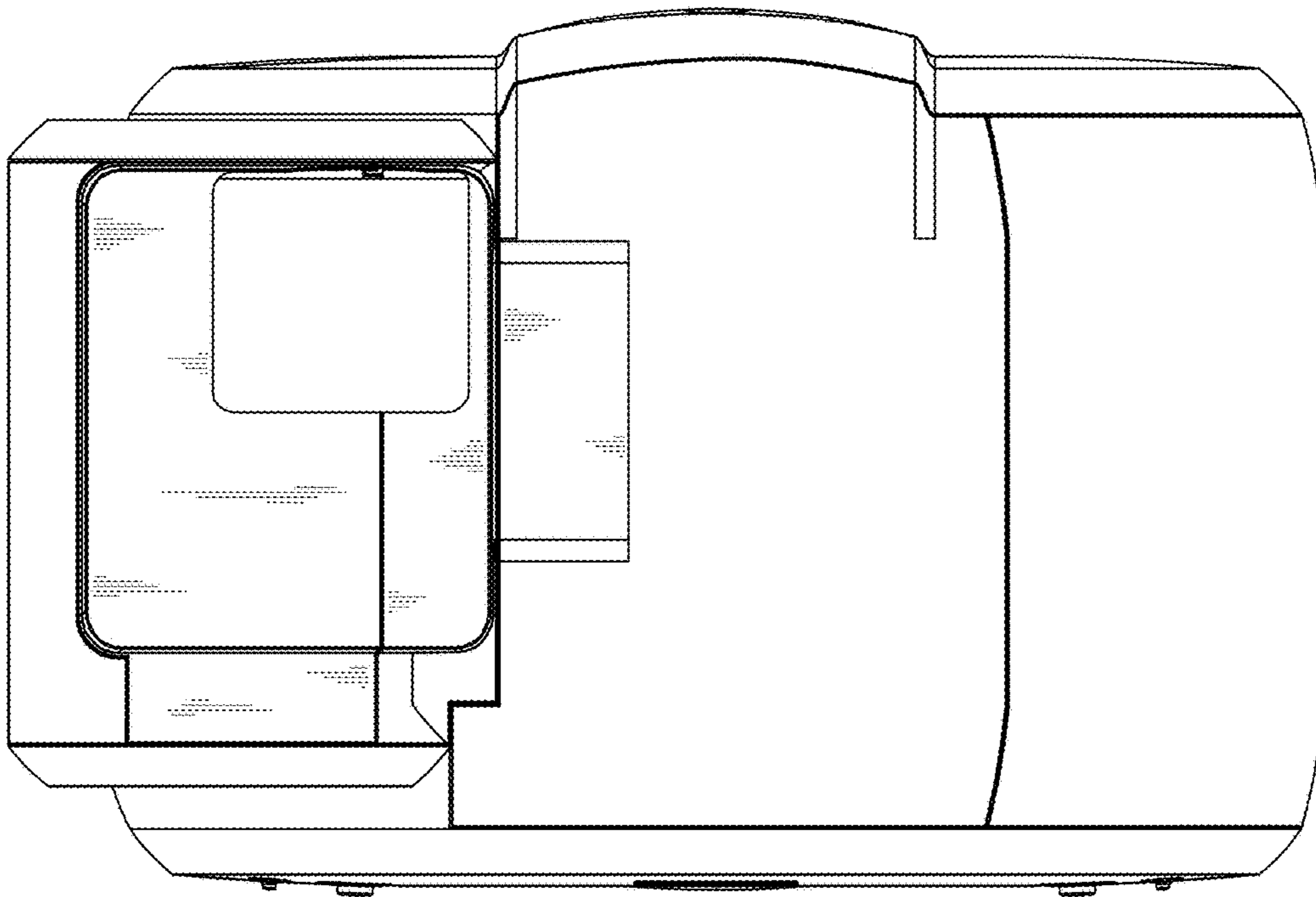


FIG. 4

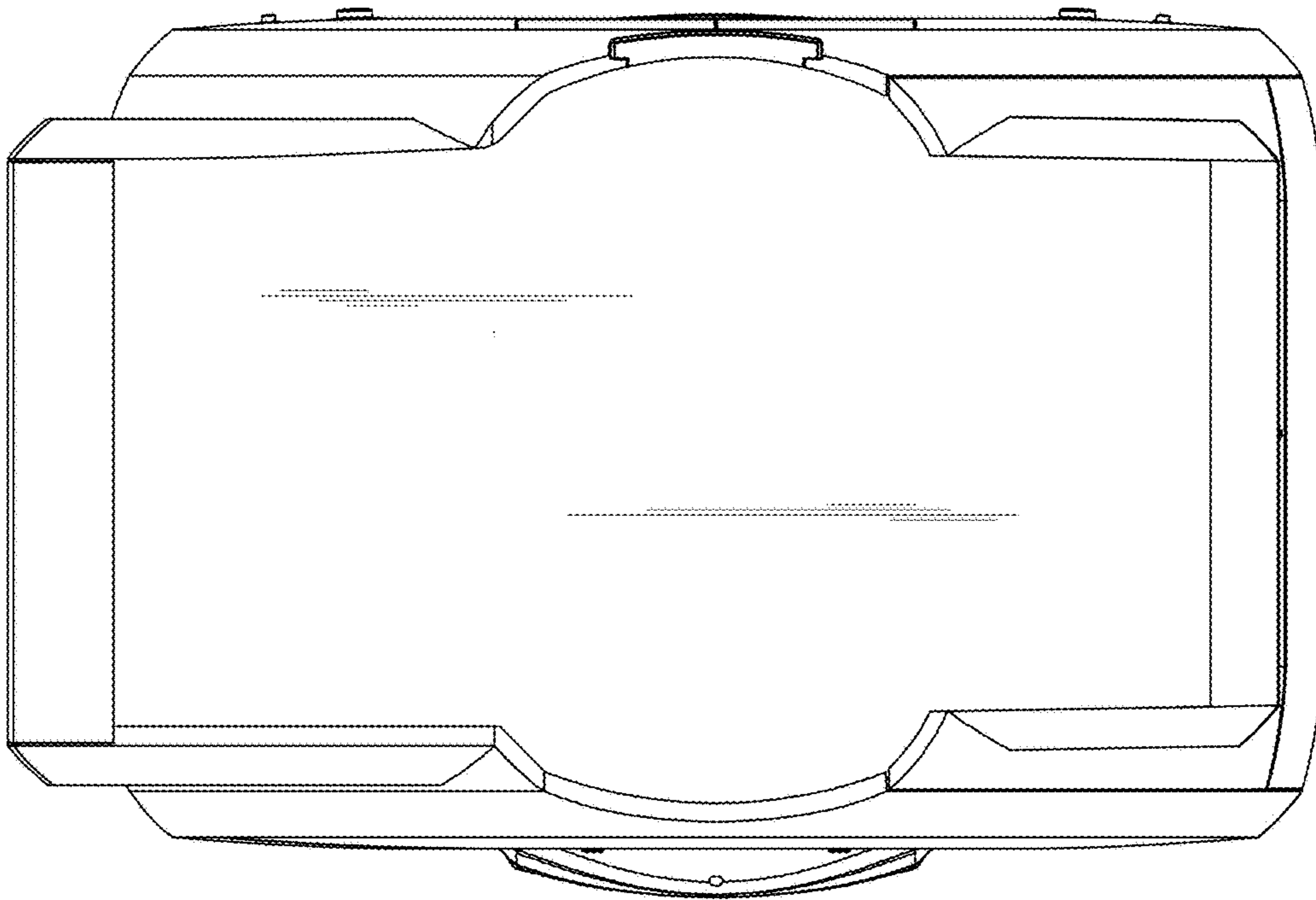


FIG. 5

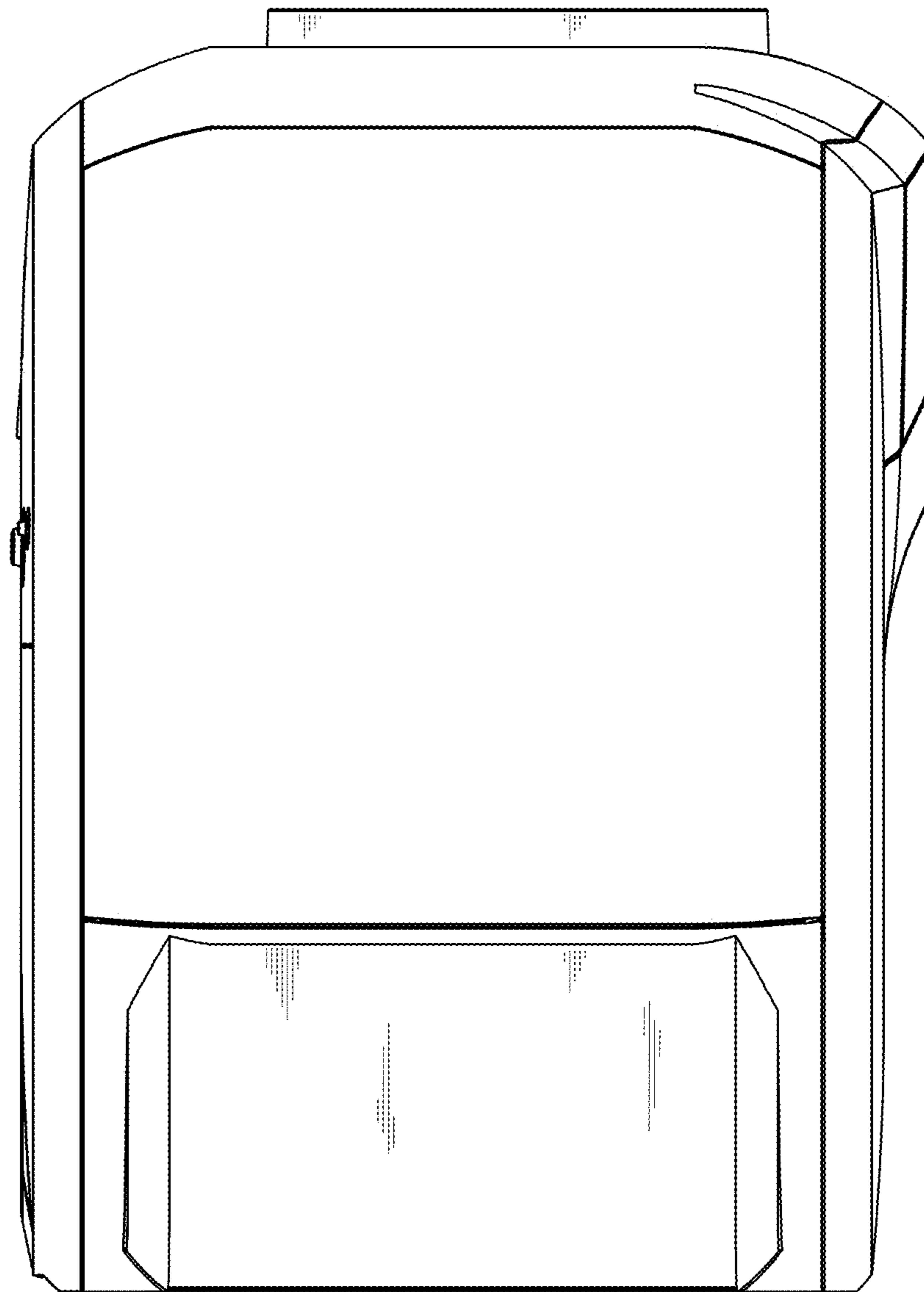


FIG. 6

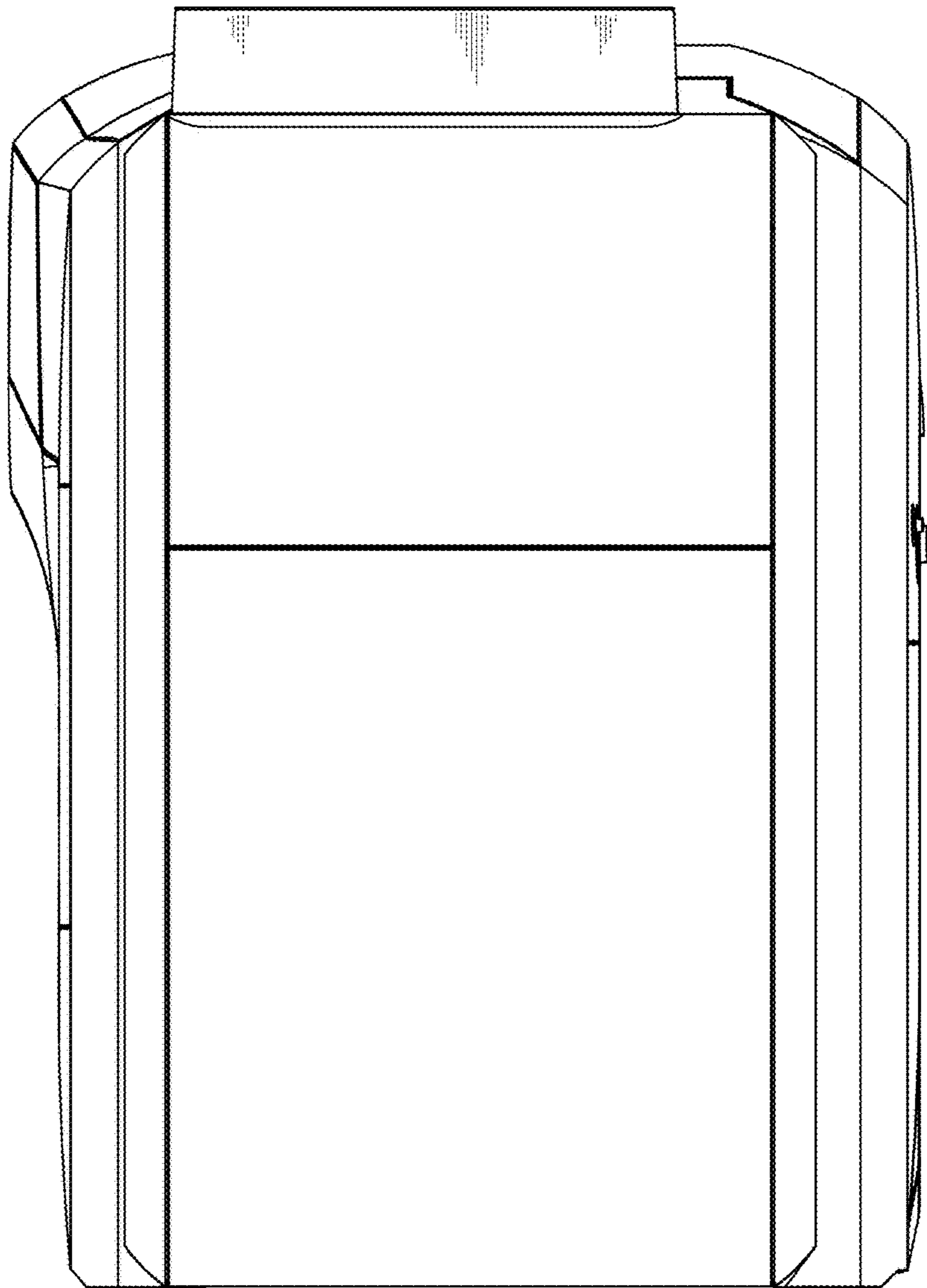




FIG. 7

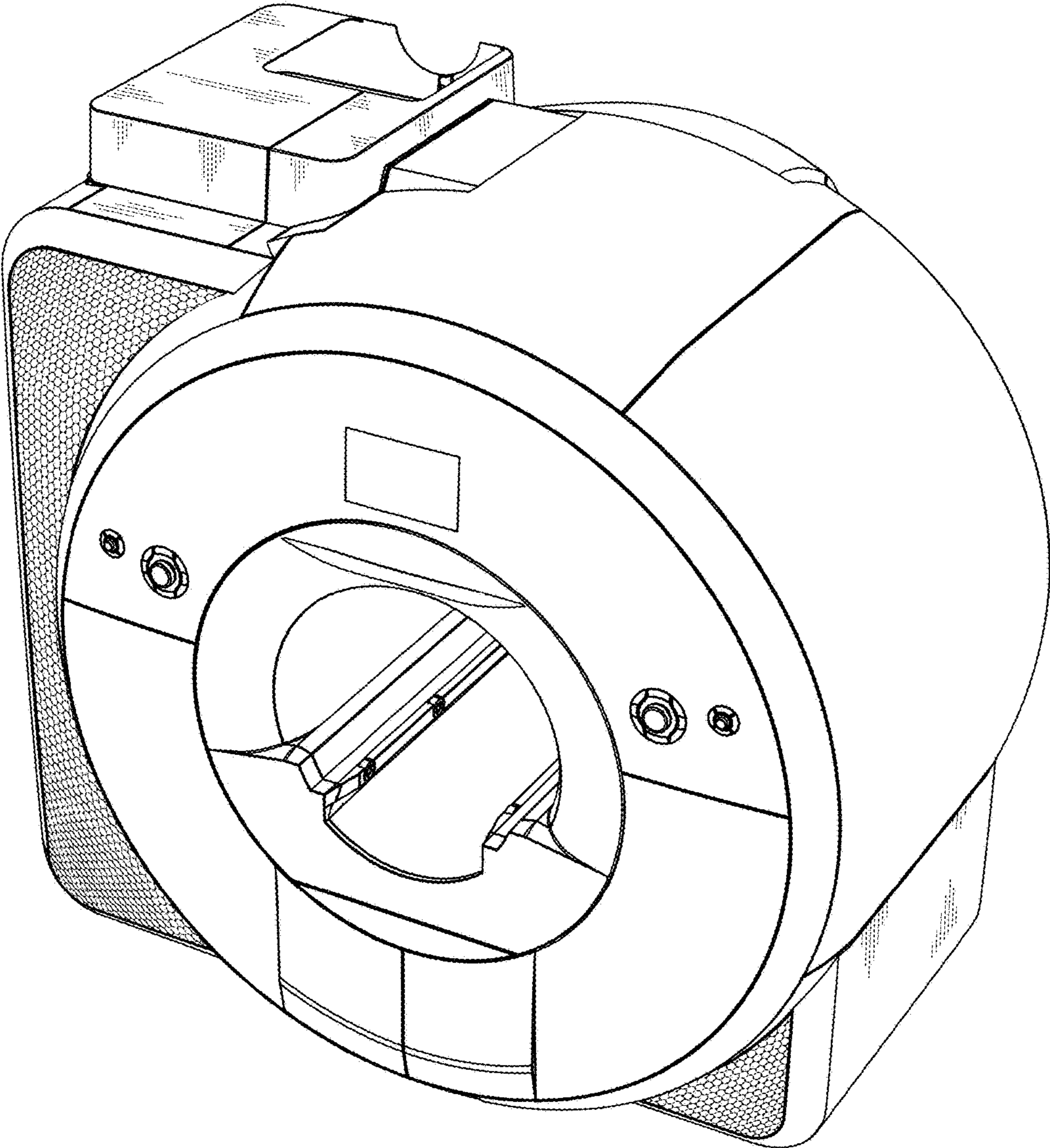


FIG. 8

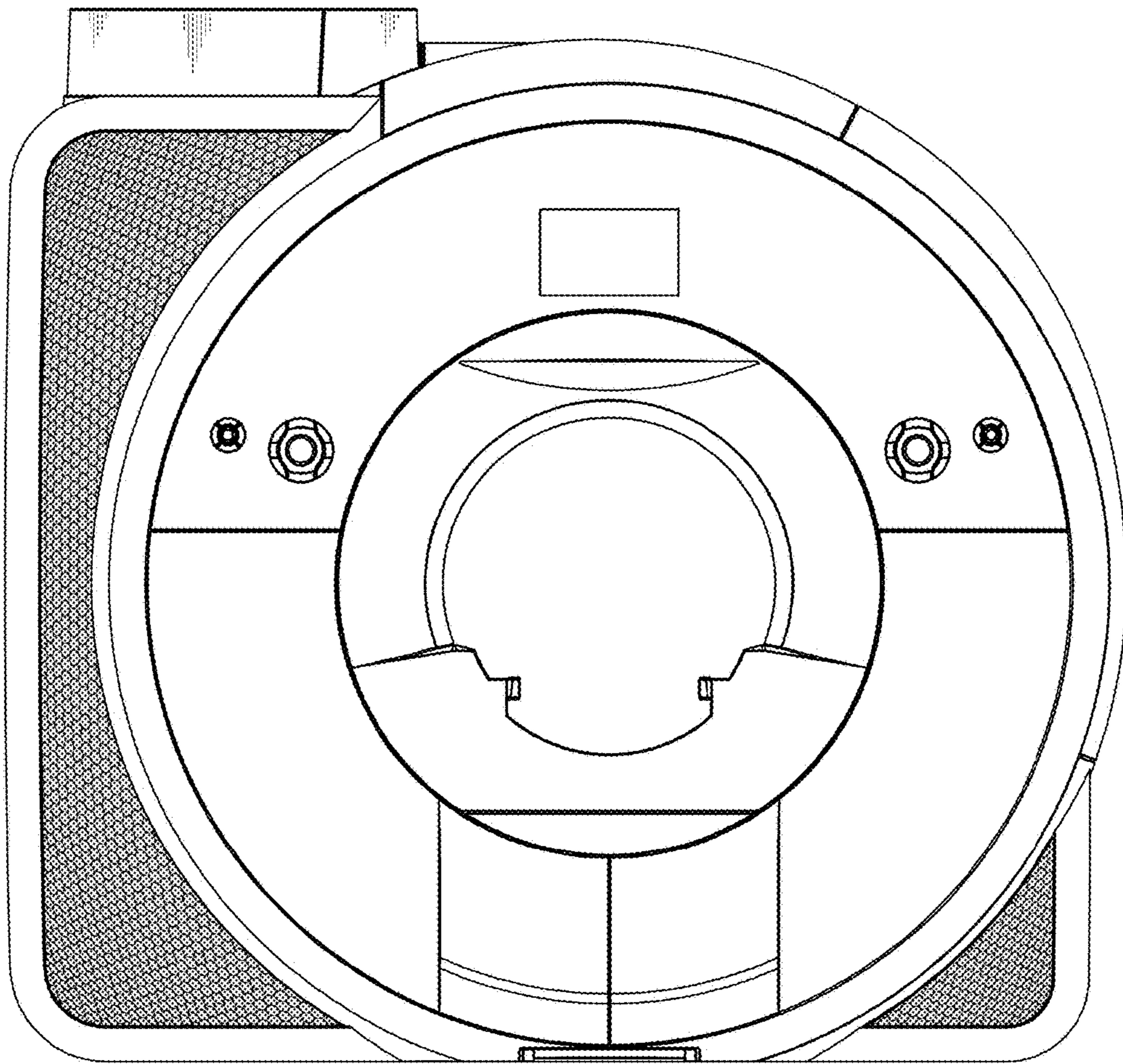


FIG. 9

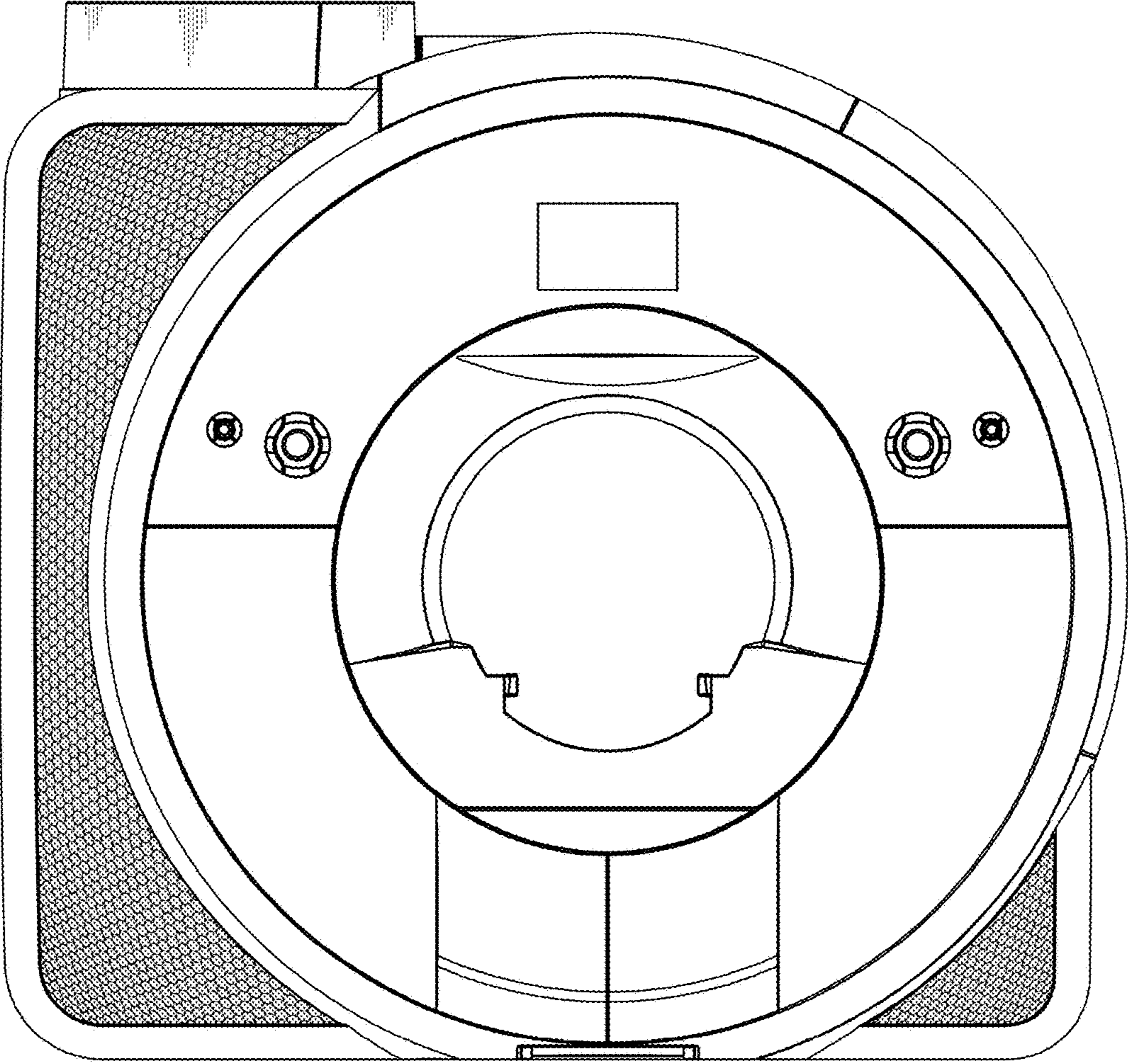


FIG. 10

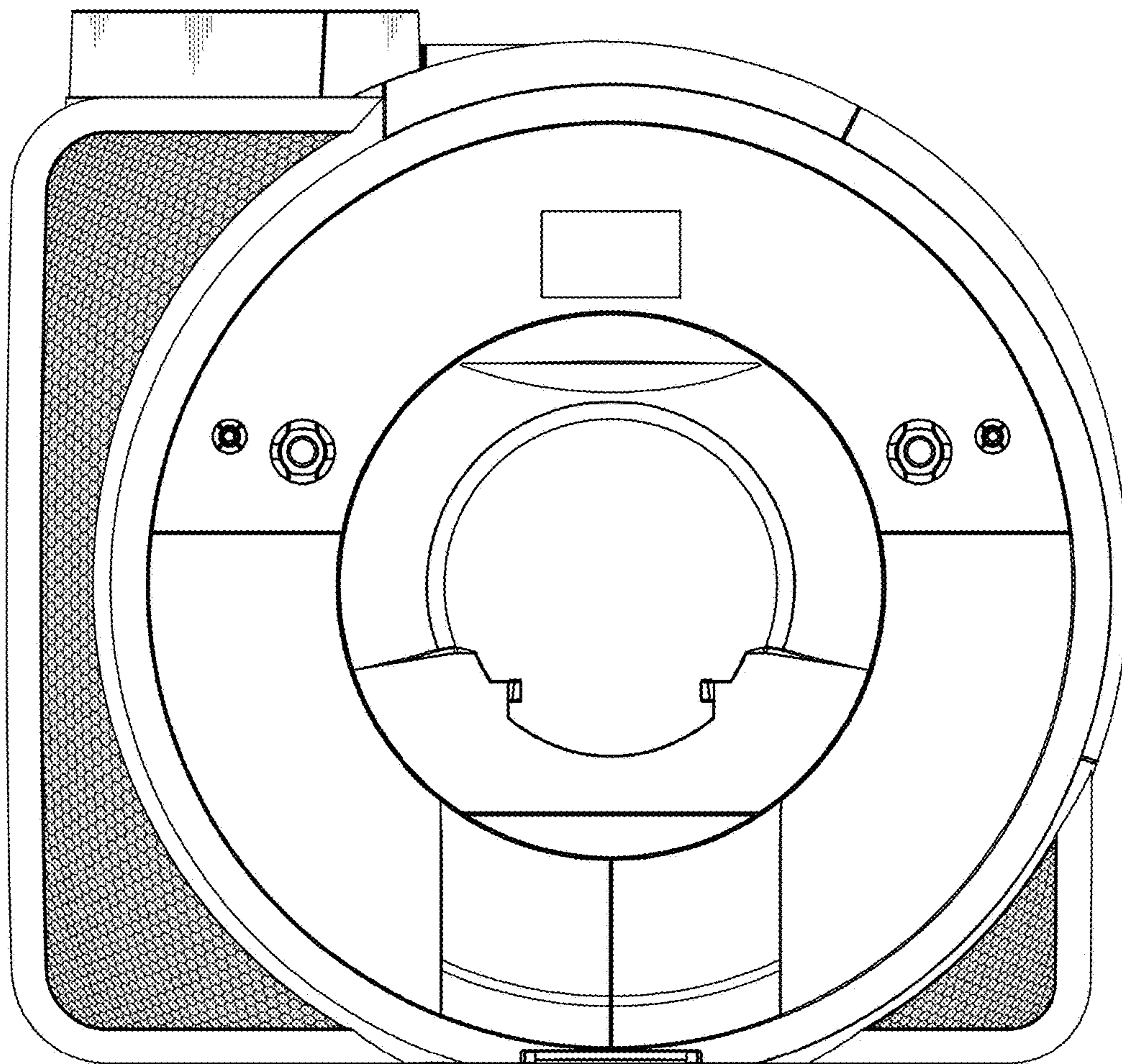


FIG. 11

