

US00D794798S

(12) **United States Design Patent**
Grosshauser et al.

(10) **Patent No.:** **US D794,798 S**

(45) **Date of Patent:** **** Aug. 15, 2017**

- (54) **MEDICAL APPARATUS FOR IMAGING**
- (71) Applicant: **Siemens Healthcare GmbH**, Erlangen (DE)
- (72) Inventors: **Carsten Grosshauser**, Erlangen (DE);
Donald Hardie, Moehrendorf (DE);
Gerhard Helmreich, Effeltrich (DE);
Dirk Licht, Munich (DE); **Bernd Maciejewski**, Markt Erlbach (DE);
Markus Mottscheller, Nuremberg (DE)
- (73) Assignee: **Siemens Healthcare GmbH**, Erlangen (DE)

D703,321 S *	4/2014	Wodecki	D24/158
D715,945 S *	10/2014	Zhang	D24/159
D738,505 S *	9/2015	Eberler	D24/158
D752,223 S *	3/2016	Park	D24/158
2009/0080186 A1 *	3/2009	Helmreich	A61B 5/055 362/231
2012/0230465 A1 *	9/2012	Matsuzawa	A61B 6/035 378/13
2013/0162254 A1 *	6/2013	Hierl	G01R 33/28 324/319

* cited by examiner

Primary Examiner — Anhdao Doan

(74) *Attorney, Agent, or Firm* — Schiff Hardin LLP

- (**) Term: **15 Years**
- (21) Appl. No.: **29/549,473**
- (22) Filed: **Dec. 22, 2015**

(57) **CLAIM**

The ornamental design for a medical apparatus for imaging, as shown and described.

(30) **Foreign Application Priority Data**

Jun. 24, 2015 (EM) 001437040

(51) **LOC (10) Cl.** **24-01**

(52) **U.S. Cl.**
USPC **D24/158**

(58) **Field of Classification Search**
USPC D24/158-161, 185, 186, 107
CPC .. A61B 5/05; A61B 5/055; A61B 6/03; A61B 6/035

See application file for complete search history.

(56) **References Cited**

U.S. PATENT DOCUMENTS

- D678,527 S * 3/2013 Boninger D24/158
- D681,207 S * 4/2013 Ninomiya D24/158

DESCRIPTION

FIG. 1 is a front elevational view of the medical apparatus for imaging of the present disclosure;
 FIG. 2 is a back elevational view thereof;
 FIG. 3 is a top plan view thereof;
 FIG. 4 is a bottom plan view thereof;
 FIG. 5 is a side elevational view of the right side thereof;
 FIG. 6 is a side elevational view of the left side thereof; and,
 FIG. 7 is a perspective view taken generally from the upper, front, right-hand side thereof.
 The broken lines in FIG. 2 illustrate portions of the medical apparatus for imaging that form no part of the claimed design.

1 Claim, 7 Drawing Sheets

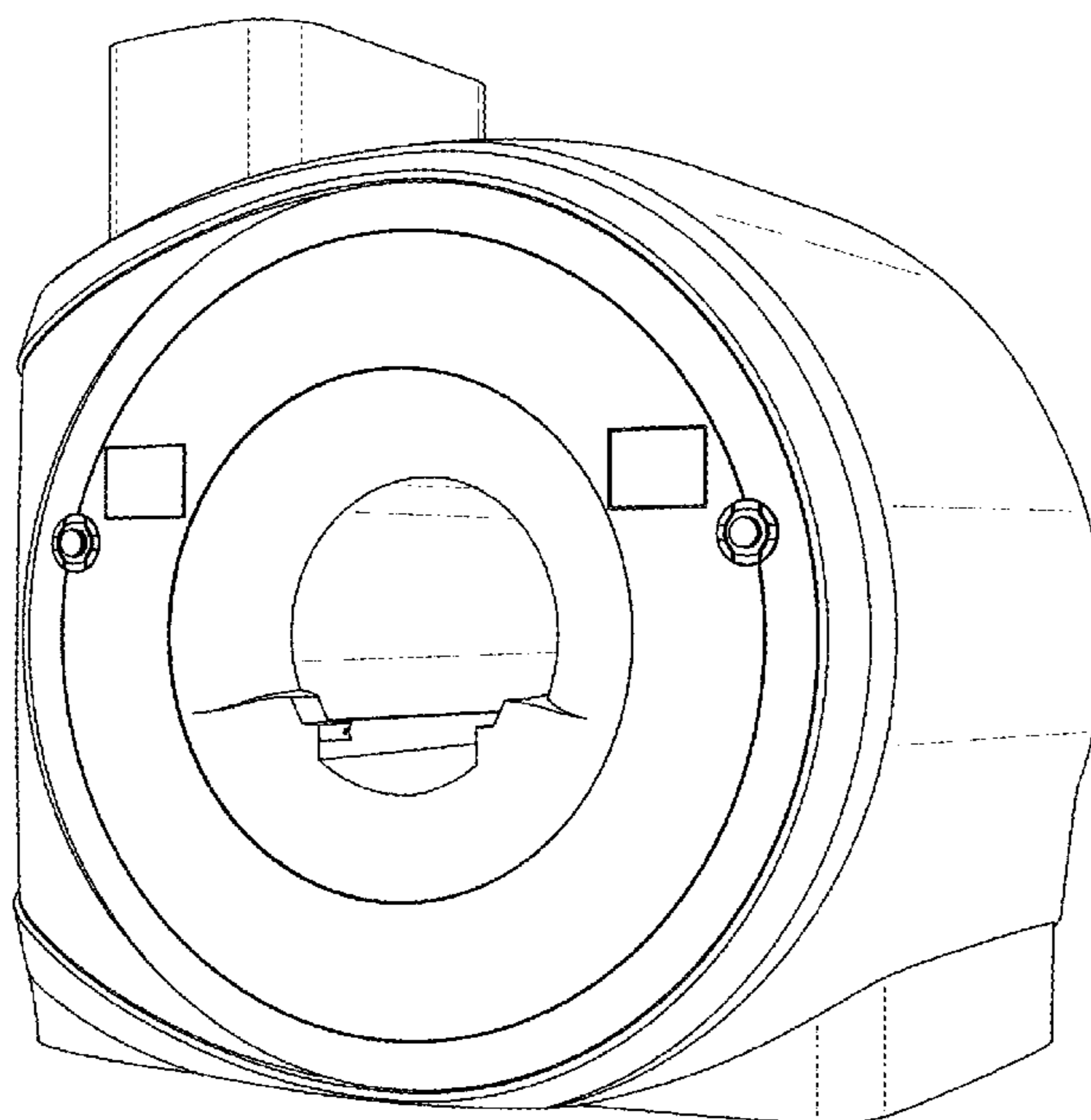


FIG 1

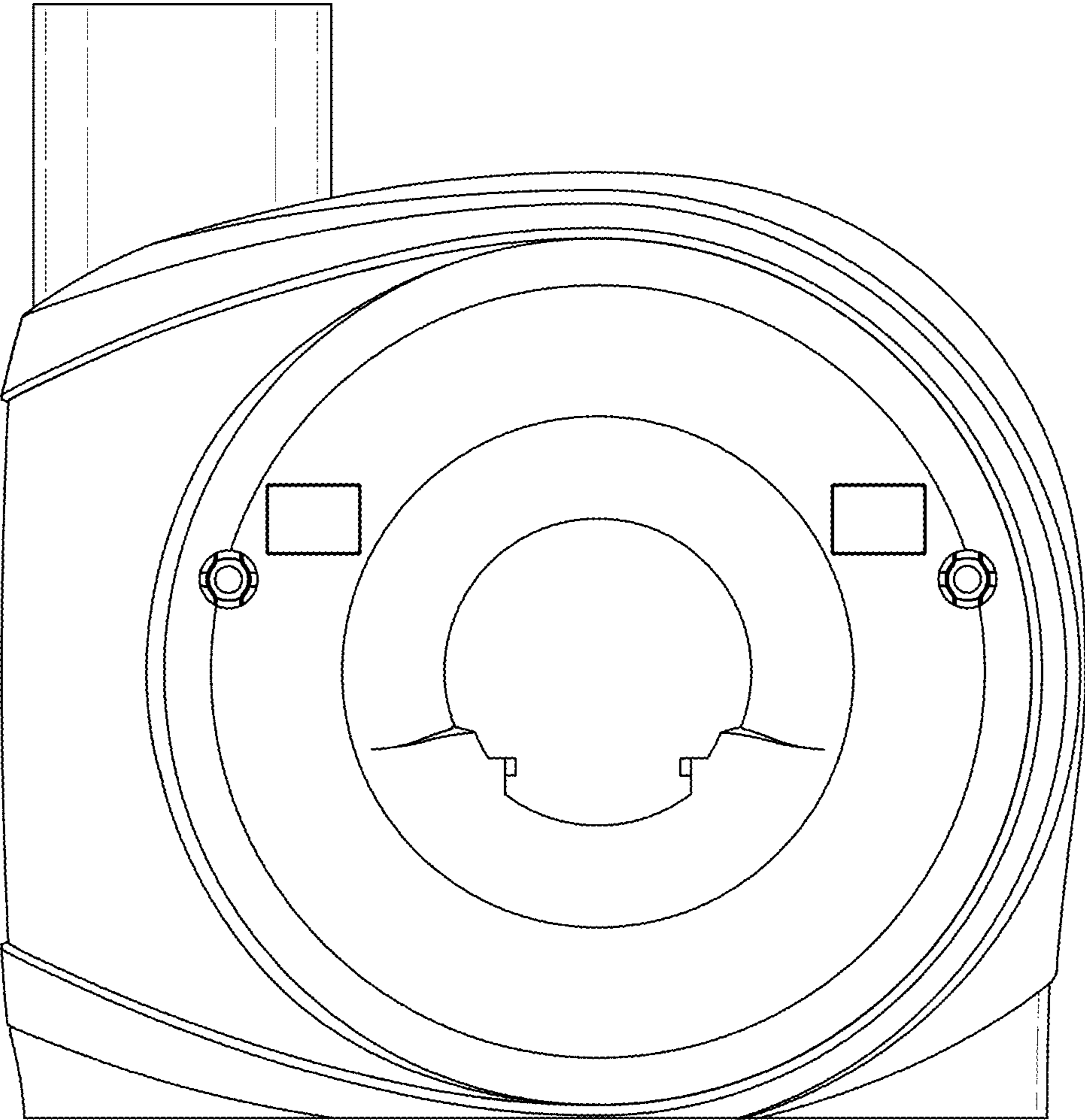


FIG 2

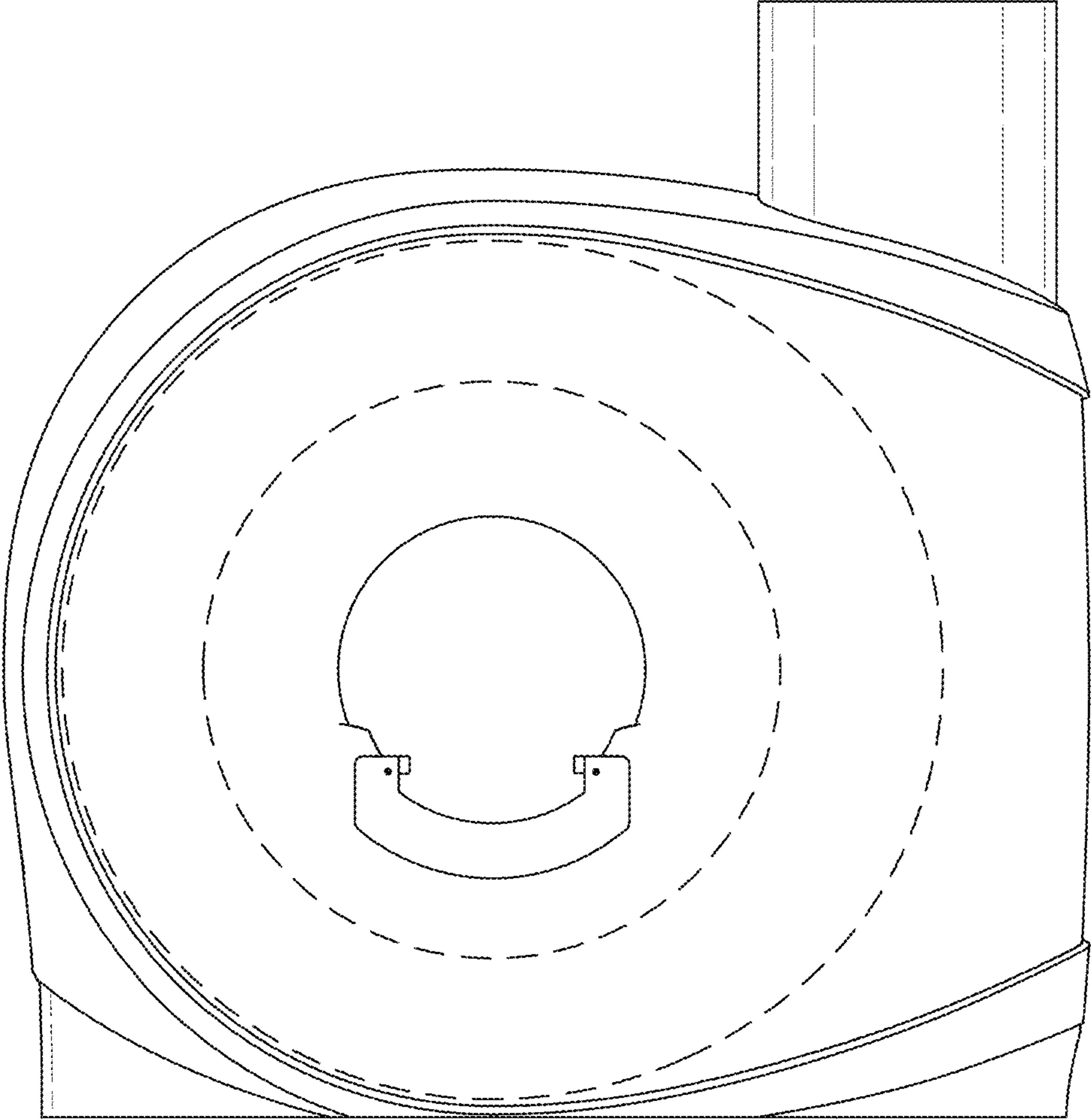


FIG 3

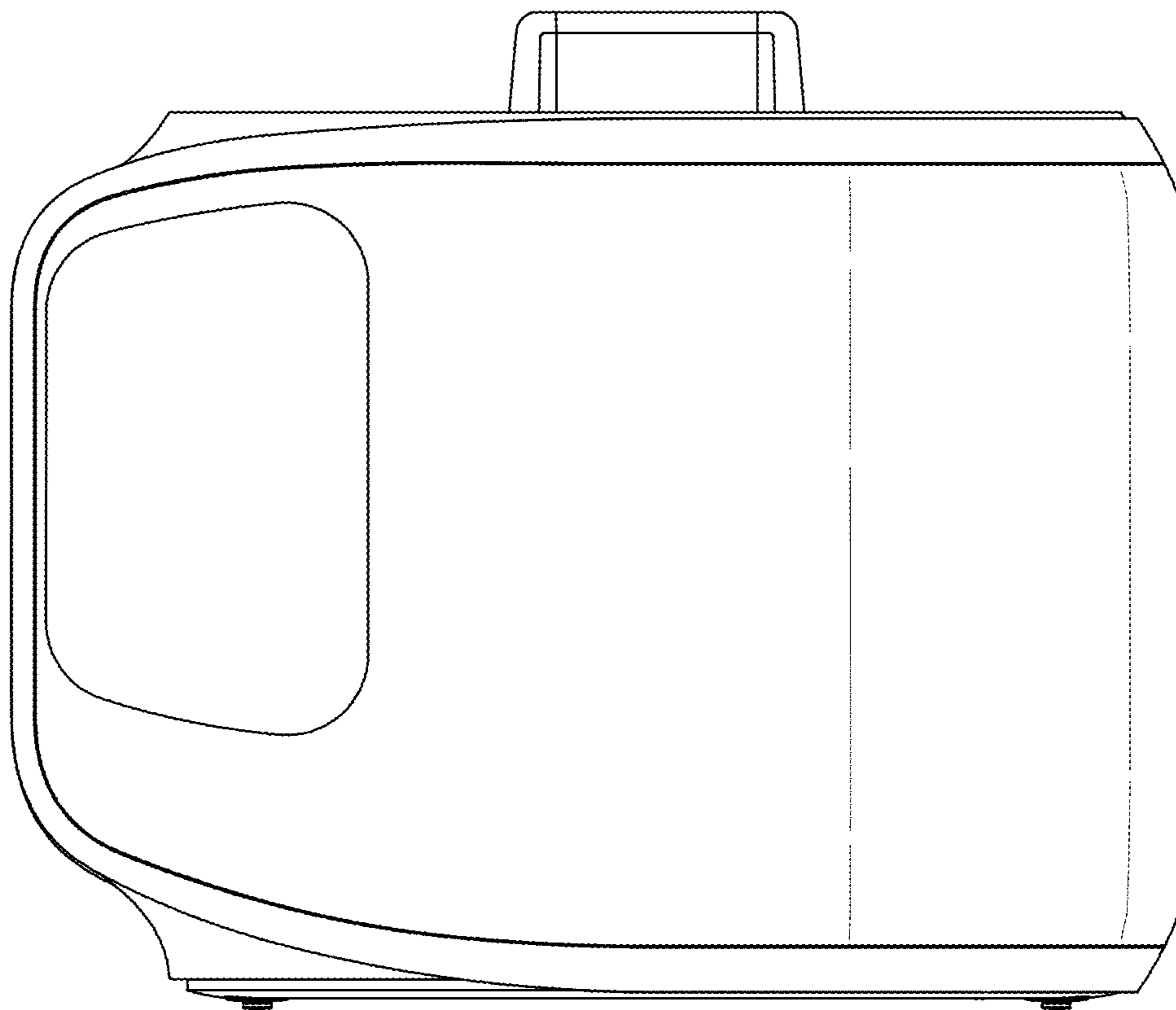


FIG 4

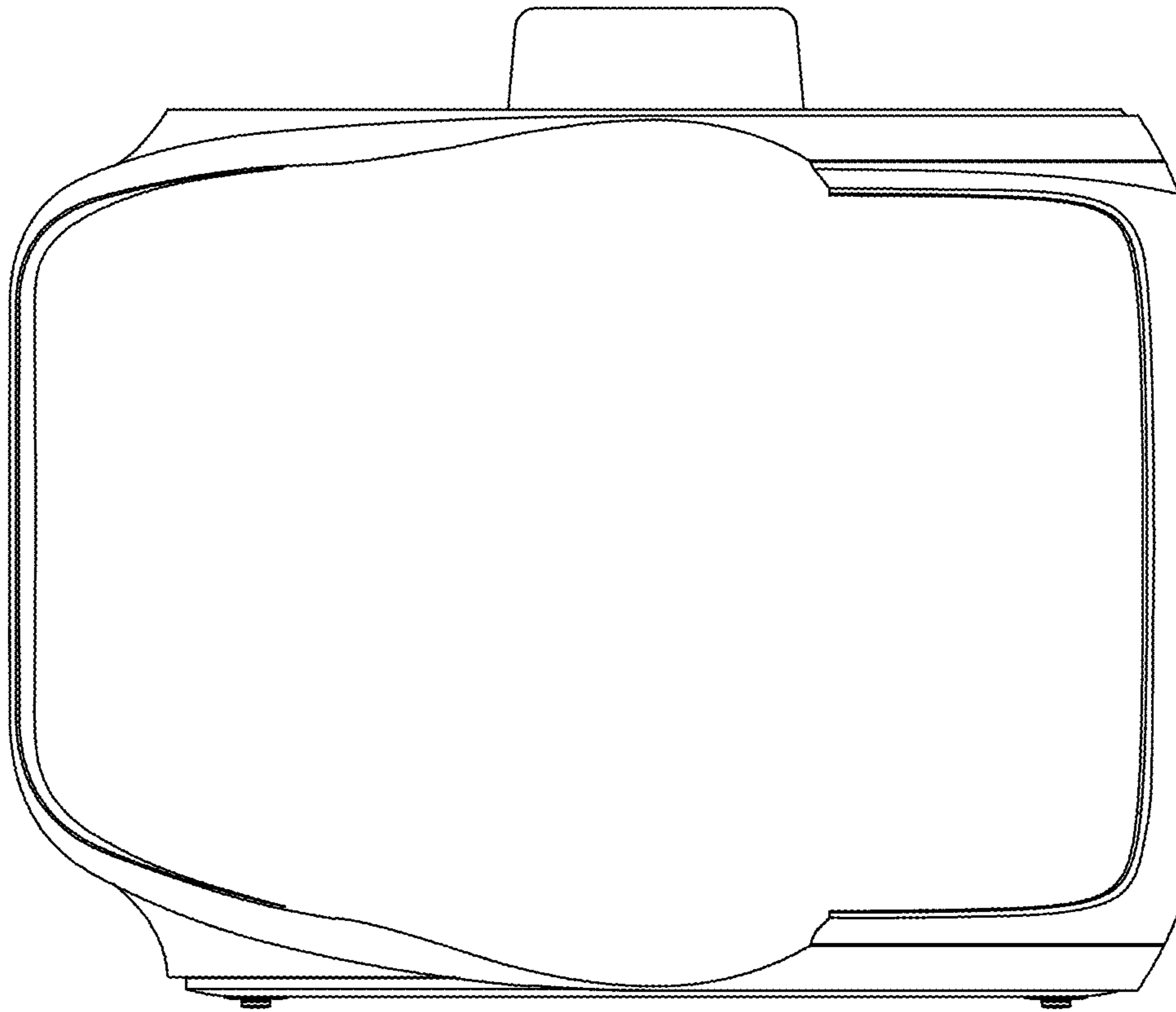


FIG 5

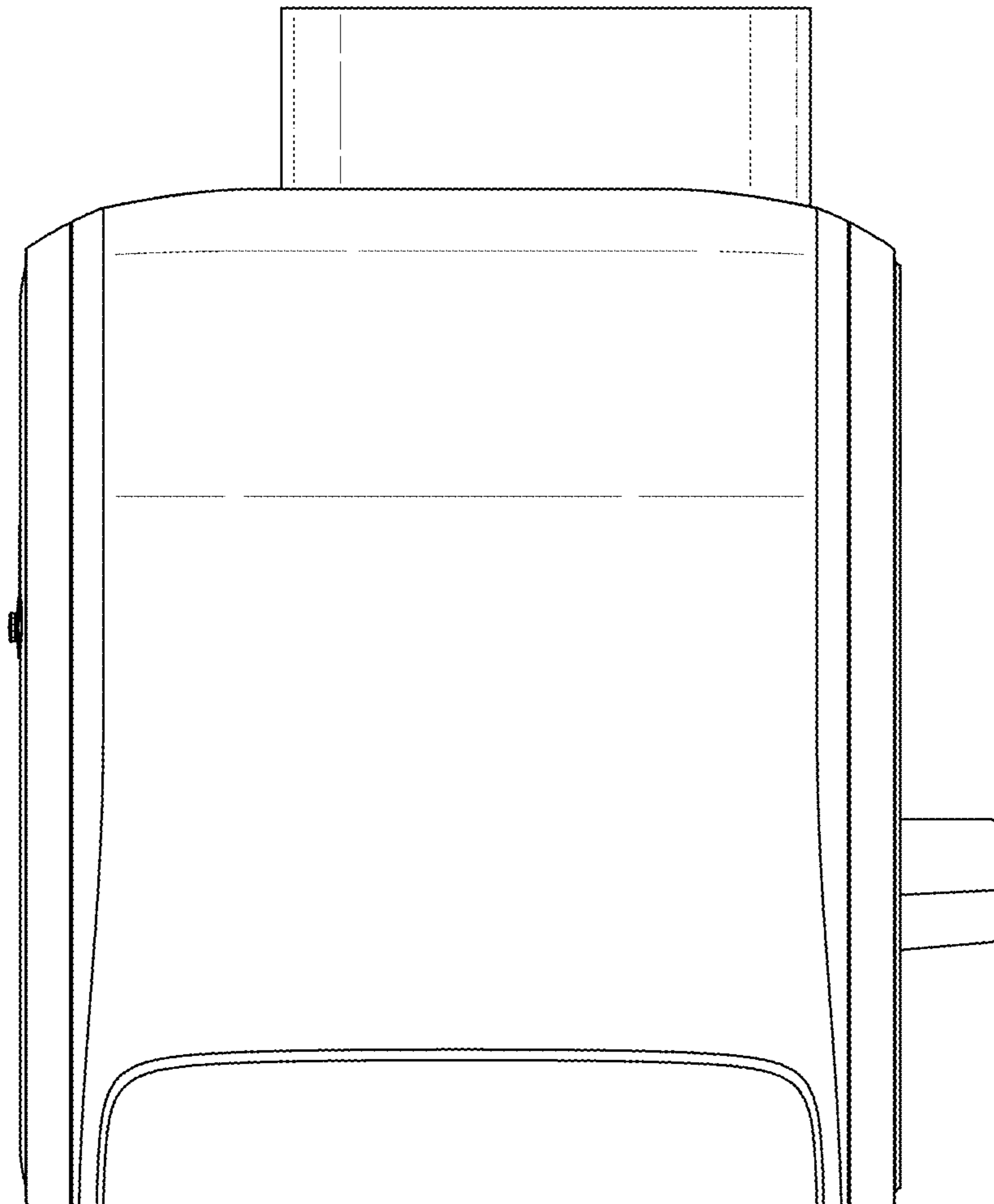


FIG 6

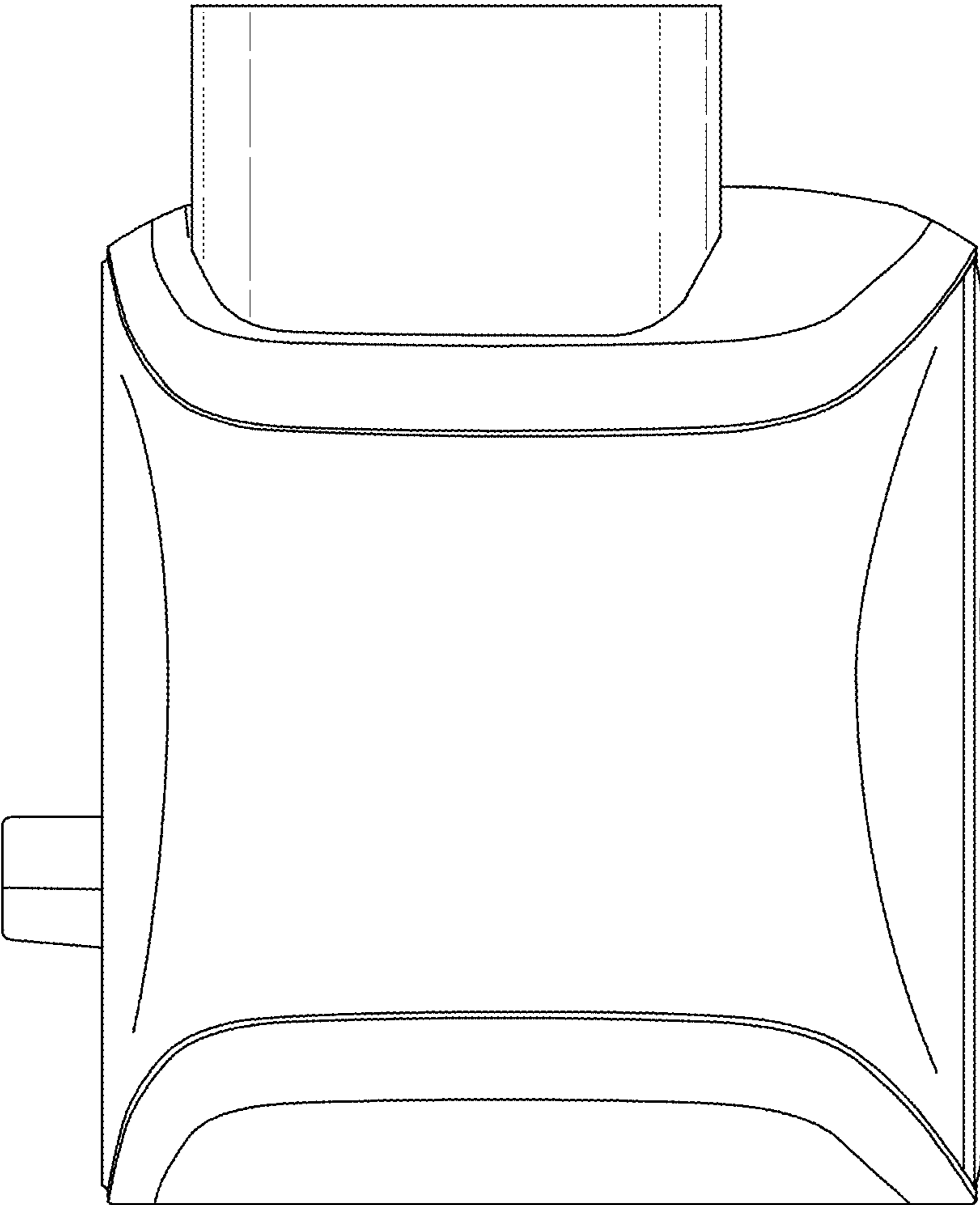


FIG 7

