



US00D794797S

(12) **United States Design Patent**
Tran et al.

(10) **Patent No.:** **US D794,797 S**

(45) **Date of Patent:** **** Aug. 15, 2017**

(54) **X-RAY SCREENER**

8,270,565 B2 * 9/2012 Oreper G01V 5/0041
378/19

(71) Applicant: **L-3 Communications Security and
Detection Systems, Inc.**, Woburn, MA
(US)

D700,339 S * 2/2014 Tan D24/158
D705,931 S * 5/2014 Wilden D24/158

(Continued)

(72) Inventors: **Hiep Tran**, Peabody, MA (US);
Thomas Warnick, Lowell, MA (US);
Sandra Hiltz, Salem, MA (US);
Michael Lanzaro, North Reading, MA
(US); **Gregory J. Tobin**, Southborough,
MA (US)

OTHER PUBLICATIONS

Analogic Corporation, Cobra Product Sheet, print out of <http://www.analogic.com/Collateral/Documents/English-US/Analogic%20COBRA%20Brochure.pdf>, 2013.

(Continued)

(73) Assignee: **L-3 COMMUNICATIONS
SECURITY AND DETECTION
SYSTEMS, INC.**, Woburn, MA (US)

Primary Examiner — Anhdao Doan

(74) *Attorney, Agent, or Firm* — McCarter & English,
LLP

(**) Term: **15 Years**

(57) **CLAIM**

The ornamental design for an x-ray screener, as shown and described.

(21) Appl. No.: **29/539,541**

(22) Filed: **Sep. 15, 2015**

DESCRIPTION

(51) **LOC (10) Cl.** **24-01**

(52) **U.S. Cl.**

USPC **D24/158**

(58) **Field of Classification Search**

USPC D24/158-161, 185, 186; D14/420, 421
CPC G01N 23/046; G01N 2223/419; G01V
5/005; G01V 5/0025; G01V 5/0041

See application file for complete search history.

FIG. 1 is a front perspective view of an x-ray screener and showing the design;

FIG. 2 is a front elevational view of the x-ray screener of FIG. 1;

FIG. 3 is a rear elevational view of the x-ray screener of FIG. 1;

FIG. 4 is a left side elevational view of the x-ray screener of FIG. 1;

FIG. 5 is a right side elevational view of the x-ray screener of FIG. 1;

FIG. 6 is a top plan view of the x-ray screener of FIG. 1; and, FIG. 7 is a bottom plan view of the x-ray screener of FIG. 1.

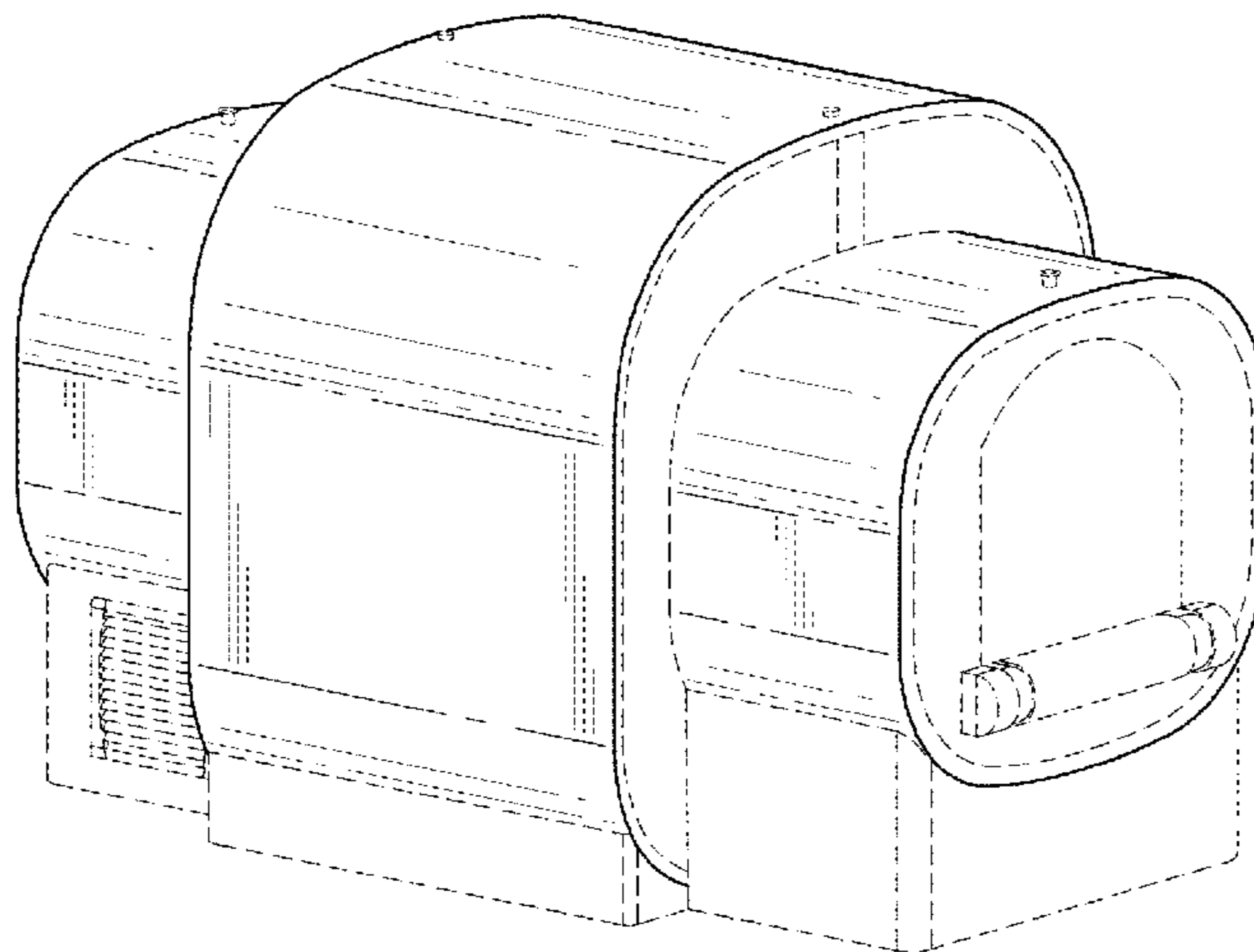
The broken lines immediately adjacent the shaded areas represent the bounds of the claim, while all other broken lines are directed to environment and are for illustrative purposes only. The broken lines form no part of the claimed design.

(56) **References Cited**

U.S. PATENT DOCUMENTS

5,661,774 A	8/1997	Gordon et al.	
5,754,617 A *	5/1998	Itoh	G01N 23/046 378/4
7,039,154 B1	5/2006	Ellenbogen et al.	
7,072,434 B1	7/2006	Tybinkowski et al.	
7,418,077 B2	8/2008	Gray	
7,440,544 B2	10/2008	Scheinman et al.	
7,706,507 B2	4/2010	Williamson et al.	
D658,294 S *	4/2012	Awad	D24/158

1 Claim, 3 Drawing Sheets



(56)

References Cited

U.S. PATENT DOCUMENTS

D705,935 S *	5/2014	Matuschek	D24/158
D770,624 S *	11/2016	Yao	D24/158
2004/0096030 A1 *	5/2004	Banchieri	G01N 23/046 378/57
2010/0246754 A1 *	9/2010	Morton	G01V 5/005 378/9
2011/0019797 A1 *	1/2011	Morton	G01N 23/046 378/57
2016/0187503 A1 *	6/2016	Basu	G01N 23/046 378/20

OTHER PUBLICATIONS

Shenzhen Security Electronic Equipment Co., print out of http://www.xraysecuscan.com/products_list/&pmcId=21&pageNo_FrontProducts_list01-1433231436497=1&pageSize_FrontProducts_list01-1433231436497=17.html, 2015.
 Eastimage, print out of <http://www.eastimagesecurity.com/CompanyNews/Exciting-news-for-you-Eastimage-launched-EI-6550DV-dual-view-x-ray-security-inspection-equipment.shtml>, dated Jul. 4, 2014.

Eastimage, print out of <http://www.eastimagesecurity.com/CompanyNews/Eastimage-EI-6550G-and-EI-10080G-New-Product-Launch.shtml>, dated May 12, 2014.
 Eastimage, print out of <http://www.eastimagesecurity.com/CompanyNews/New-design-of-Eastimage-equipment.shtml>, dated Apr. 30, 2015.
 Safran Morpho, HRX 700 Product Sheet, print out of http://www.morpho.com/sites/morpho/files/morpho_hrx_700.pdf, 2012.
 Safran Morpho, HRX 7500 Product Sheet, print out of http://www.morpho.com/sites/morpho/files/morpho_hrx_500.pdf, 2012.
 Safran Morpho, XDI Brochure, print out of http://www.morpho.com/sites/morpho/files/morpho_xdi_brochure_en.pdf, 2015.
 Smiths Detection, HI-SCAN5180si Product Sheet, http://www.smithsdetection.com/index.php?option=com_scio&task=downloadProductPdf&assetId=558&productName=HI-SCAN_5180si, dated May 20, 2015.
 Smiths Detection, HI-SCAN 7555 Atix Product Sheet, http://www.smithsdetection.com/index.php?option=com_scio&task=downloadProductPdf&assetId=5427&productName=HI-SCAN_7555aTiX, Aug. 2015.
 Rapiscan, Rapiscan 624XR Product Sheet, <http://pg-co.com/wp-content/uploads/2014/11/Rapiscan-624XR.pdf>, Nov. 2014.
 Rapiscan, RTT Product Sheet, http://www.htds.fr/en/files/downloads/2012/security_hold-bagage-scanner_RTT_uk.pdf, Oct. 2012.

* cited by examiner

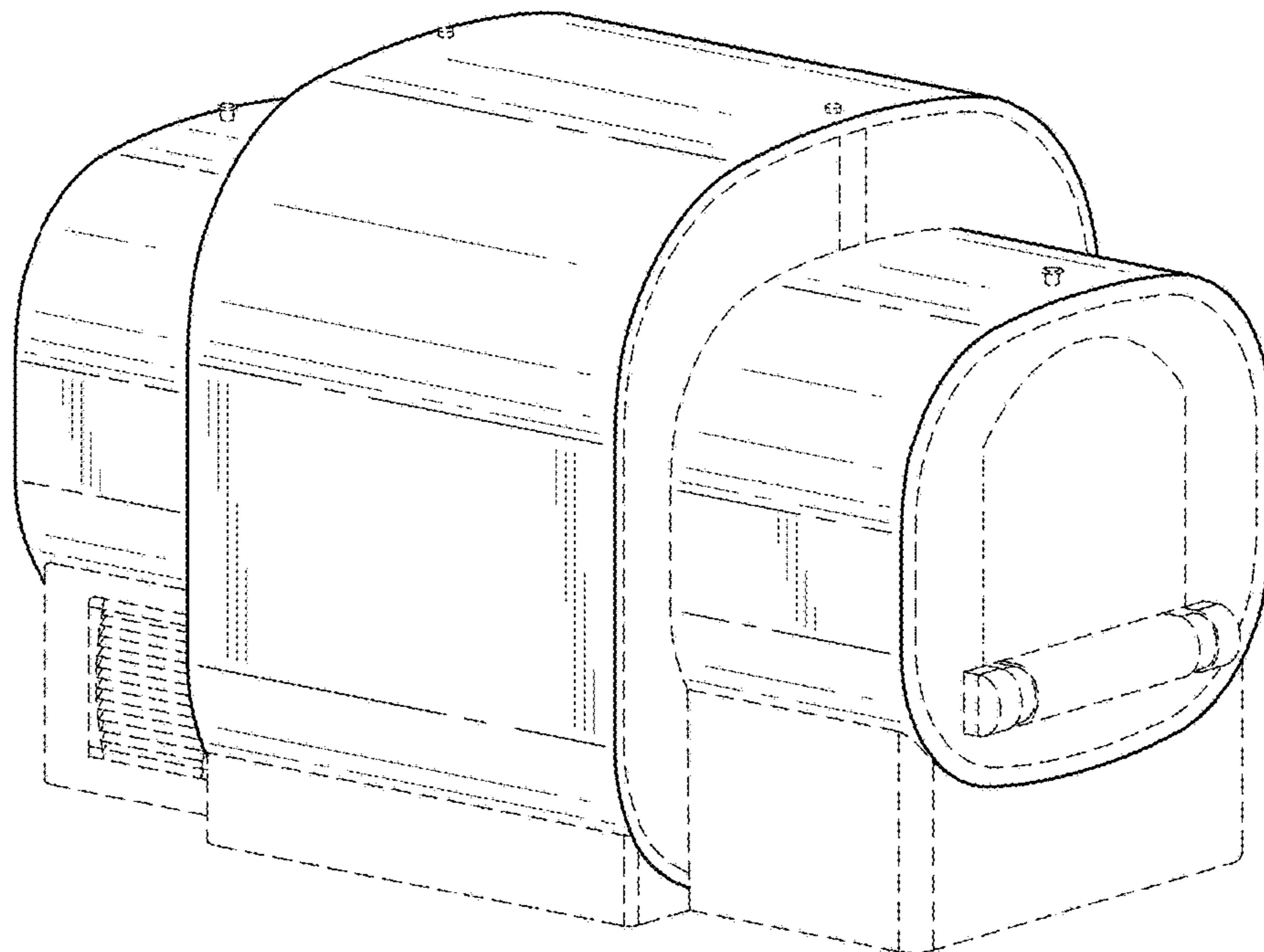


FIG. 1

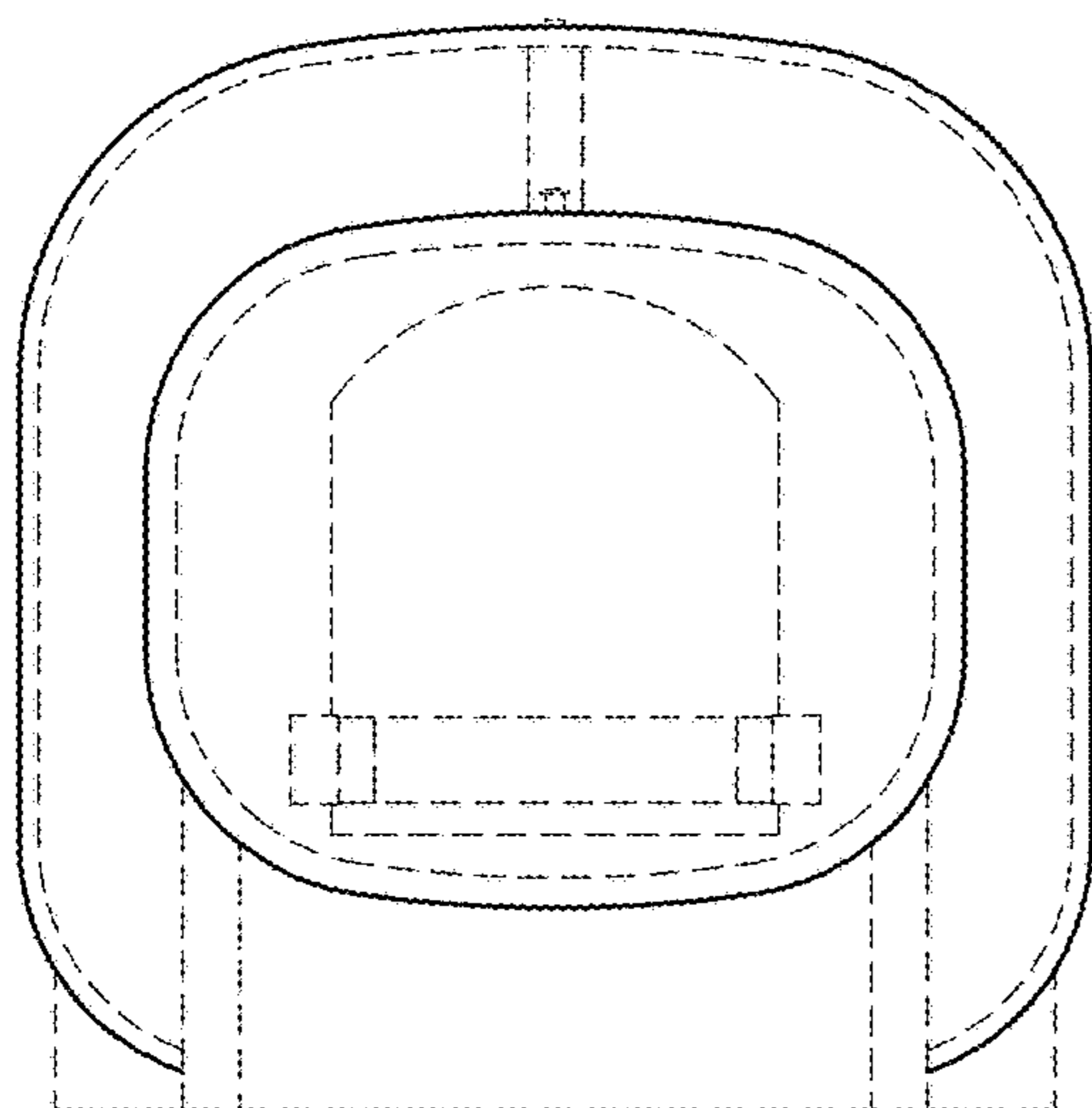


FIG. 2

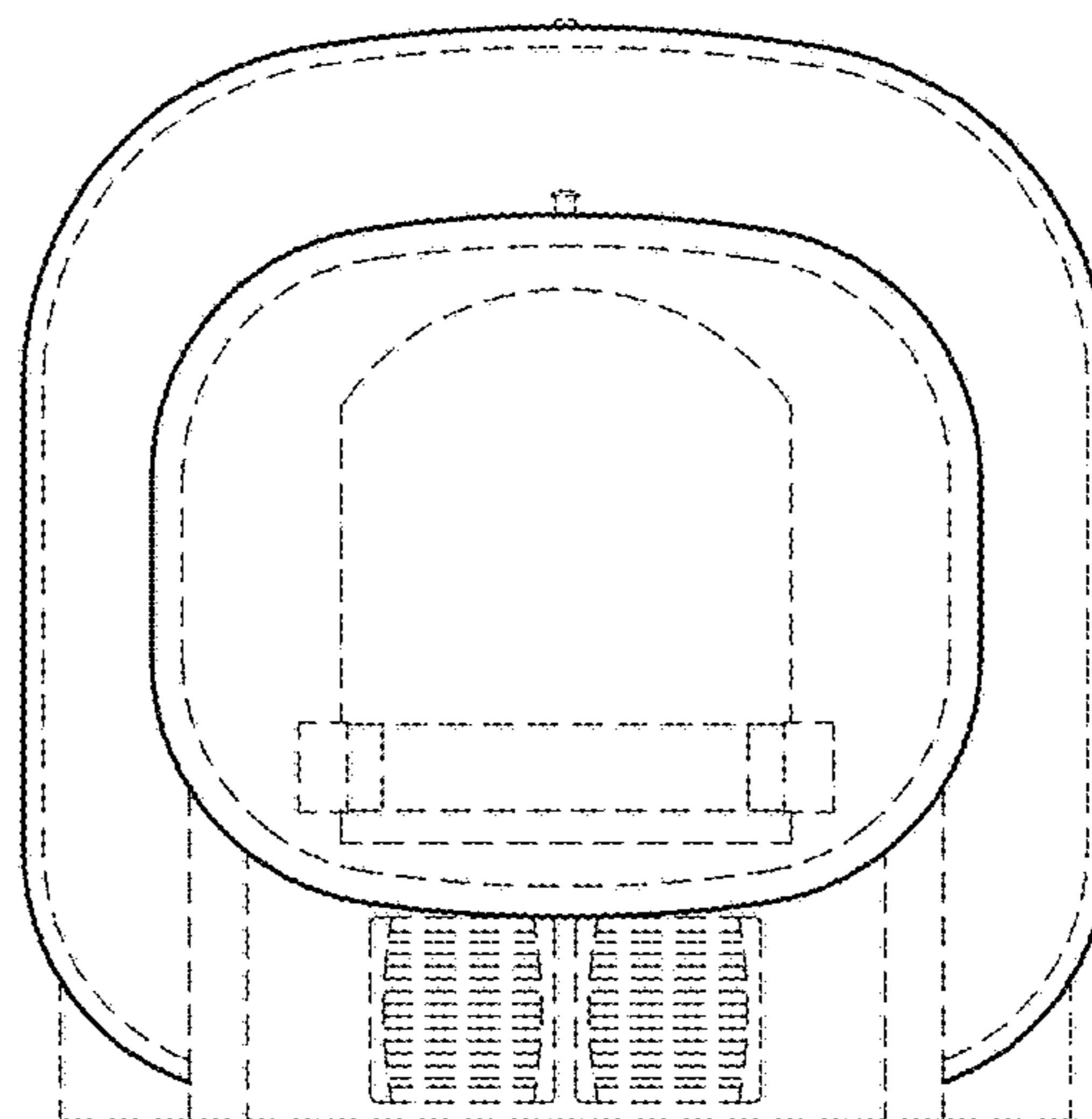


FIG. 3

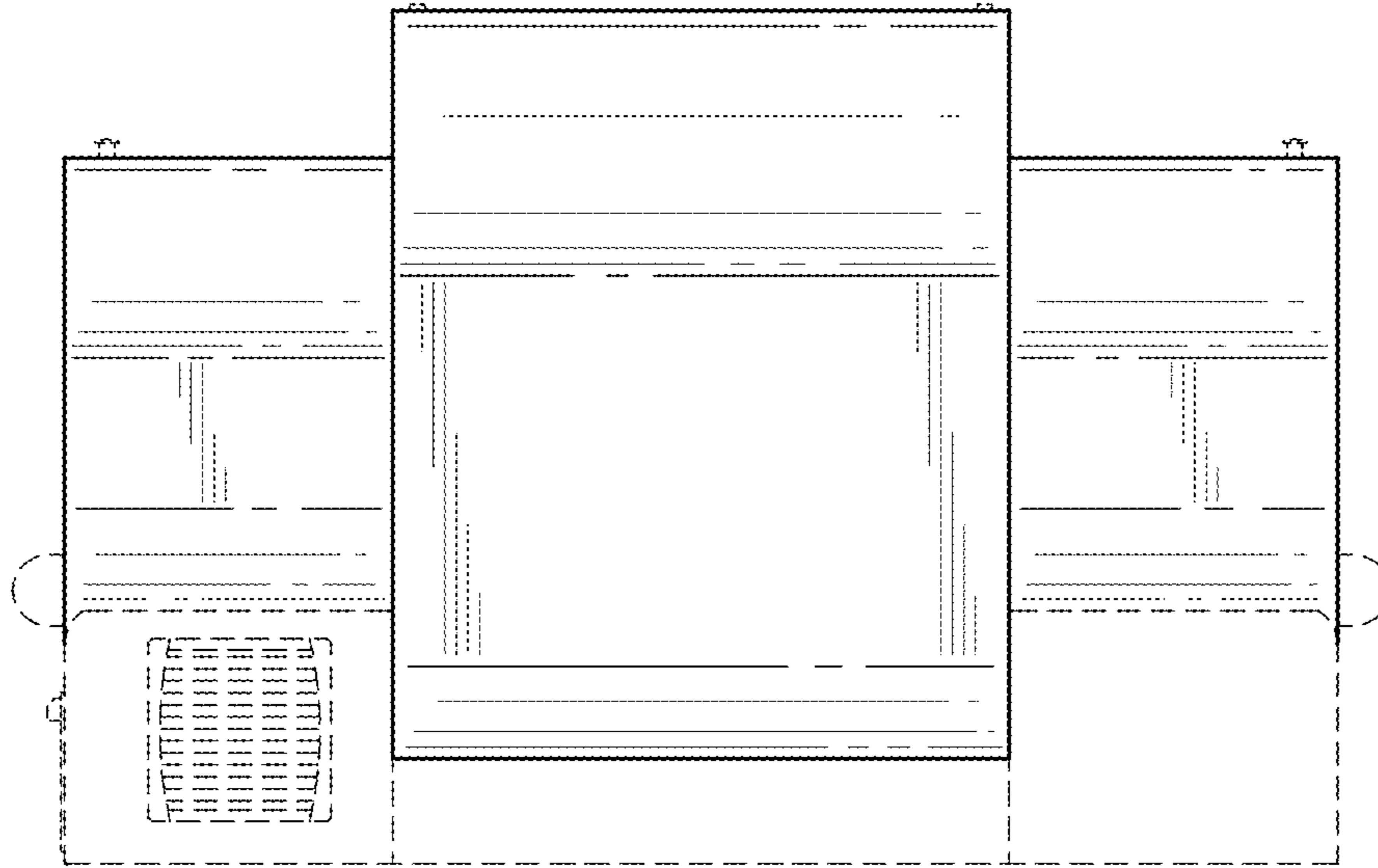


FIG. 4

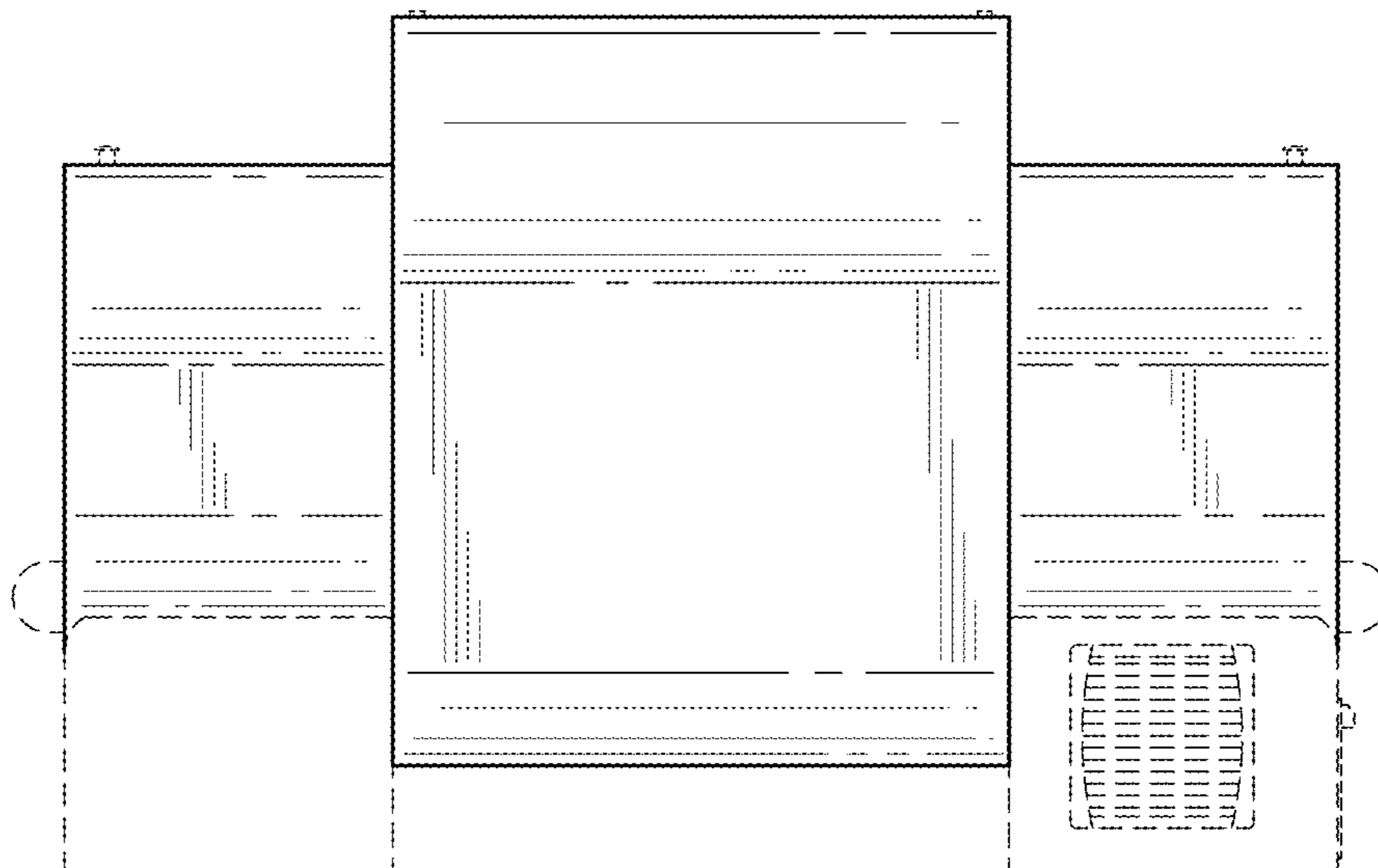


FIG. 5

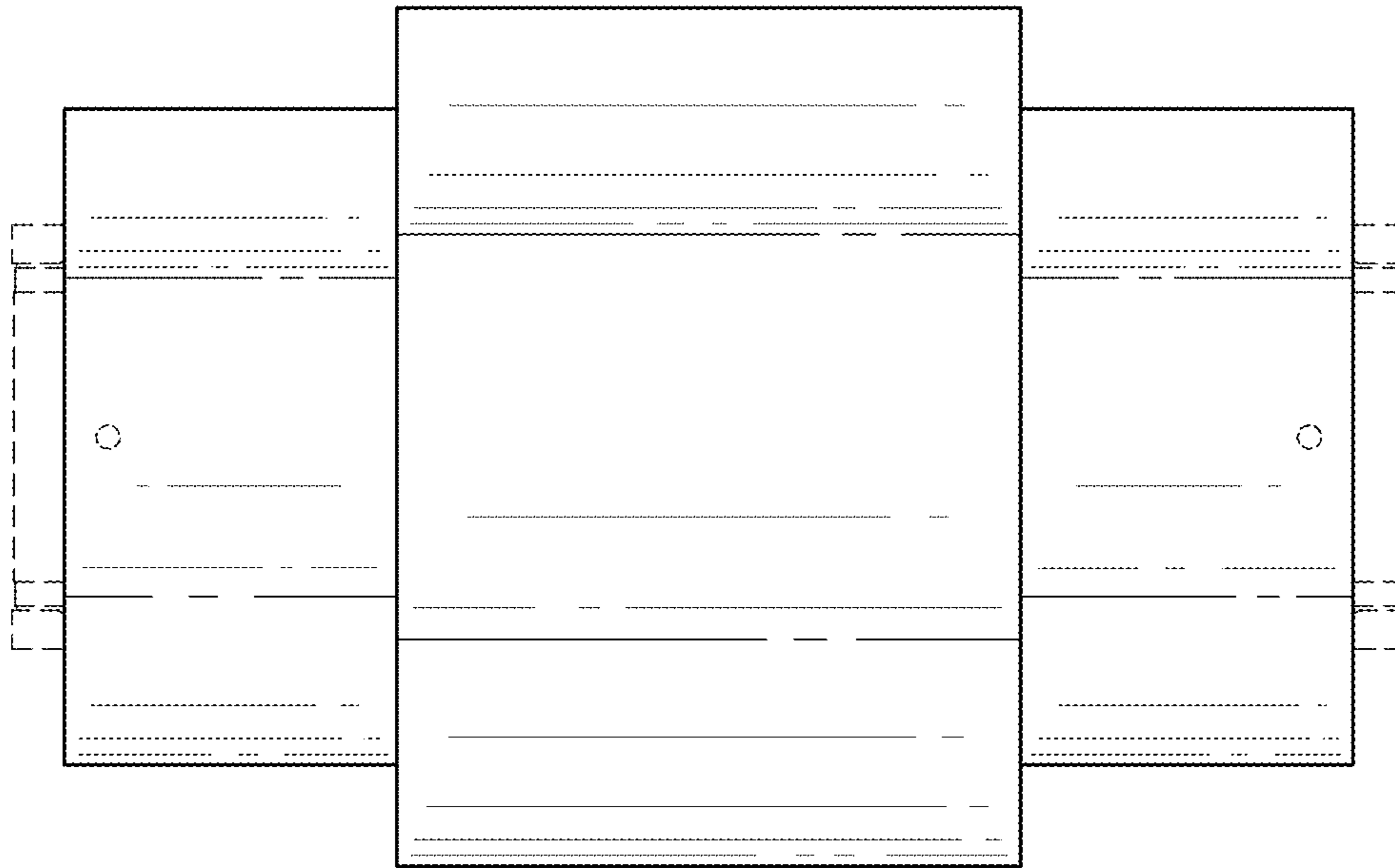


FIG. 6

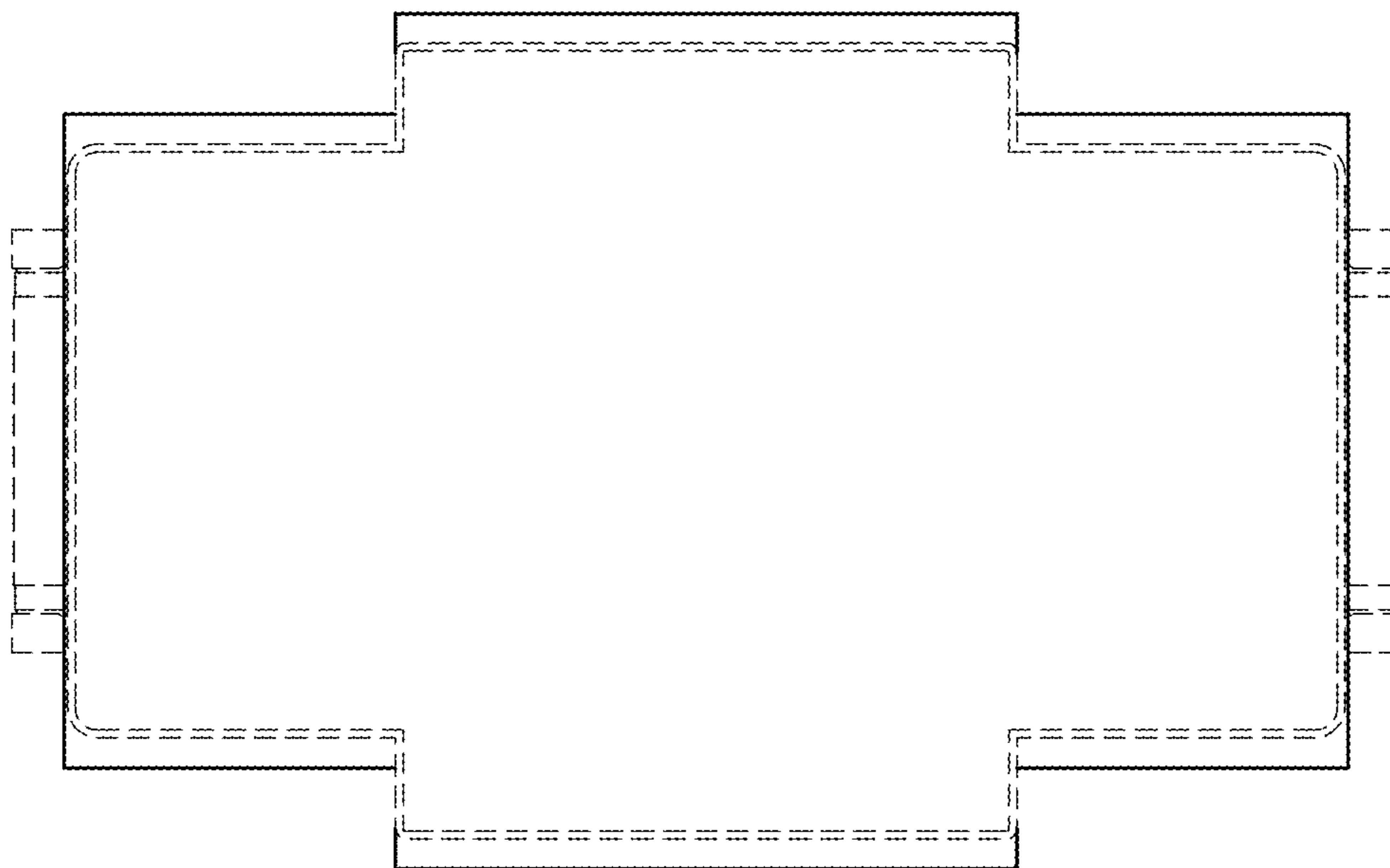


FIG. 7