



US00D794792S

(12) **United States Design Patent** (10) **Patent No.:** **US D794,792 S**  
**Wolfe** (45) **Date of Patent:** **\*\* Aug. 15, 2017**

(54) **MULTIFUNCTIONAL ORTHODONTIC TOOL**

(71) Applicant: **Joel William Wolfe**, Santa Rosa, CA (US)

(72) Inventor: **Joel William Wolfe**, Santa Rosa, CA (US)

(\*\*) Term: **15 Years**

(21) Appl. No.: **29/553,792**

(22) Filed: **Feb. 4, 2016**

(51) **LOC (10) Cl.** ..... **24-02**

(52) **U.S. Cl.**  
USPC ..... **D24/152; D4/108; D28/65**

(58) **Field of Classification Search**  
USPC ..... D24/152, 154, 176, 180; D28/65-66; D4/108; D8/104-105  
CPC ..... A61C 7/02; A61C 7/146; A61C 13/12; A61C 15/00; A61C 15/02; A61C 15/04; A46B 5/002; A46B 9/02; A46B 9/045; A46B 2200/1066; A46B 2200/1073; B25F 1/00; B25F 1/04  
See application file for complete search history.

(56) **References Cited**

**U.S. PATENT DOCUMENTS**

3,393,451	A *	7/1968	Rasch	.....	A61C 13/12 433/141
D308,462	S *	6/1990	Komatsu	.....	D8/105
D364,327	S *	11/1995	Graham	.....	D8/105
D493,575	S *	7/2004	Gwen	.....	D28/65
6,786,718	B2 *	9/2004	Lauren	.....	A61C 7/02 433/141
7,128,571	B2 *	10/2006	Young	.....	A61C 7/02 433/153
7,146,667	B2 *	12/2006	Elsener	.....	B25F 1/04 7/118
D742,120	S *	11/2015	Dalton	.....	D4/108

**OTHER PUBLICATIONS**

1 Set Oral Tek travel set toothpick tooth hook tooth brush multifunctional oral care tools Oral care dental hygiene kit. [Retrieved on Jun. 7, 2017]. Retrieved from the Internet: <URL: www.Aliexpress.com>.\*

\* cited by examiner

*Primary Examiner* — Wan Laymon

(74) *Attorney, Agent, or Firm* — Levine Bagade Han LLP

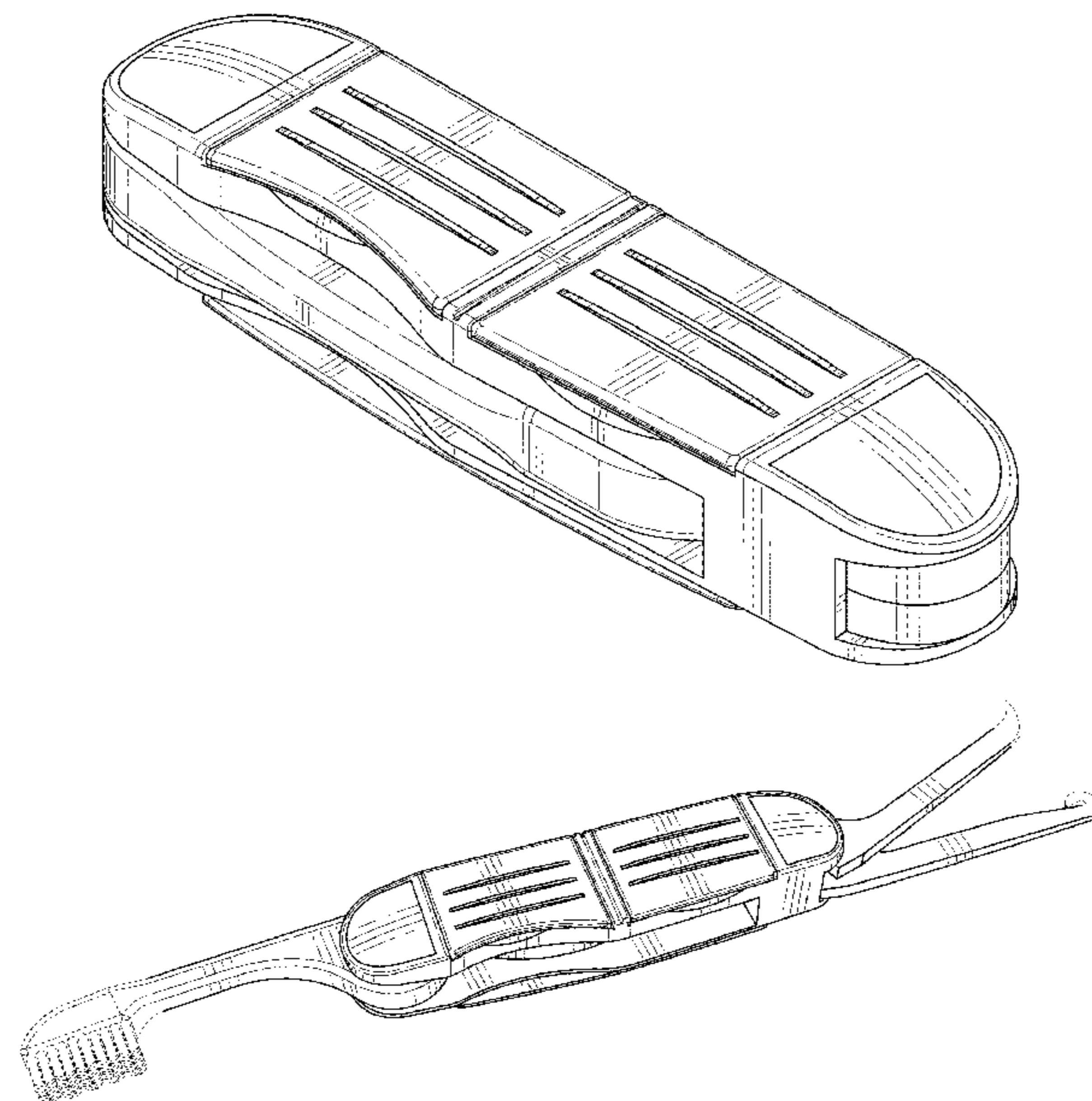
(57) **CLAIM**

The ornamental design for a multifunctional orthodontic tool, as shown and described.

**DESCRIPTION**

FIG. 1 is a perspective view of a multifunctional orthodontic tool;  
FIG. 2 is a top plan view of the multifunctional orthodontic tool shown in FIG. 1;  
FIG. 3 is a bottom plan view of the multifunctional orthodontic tool shown in FIG. 1;  
FIG. 4 is a left side view of the multifunctional orthodontic tool shown in FIG. 1;  
FIG. 5 is a right side view of the multifunctional orthodontic tool shown in FIG. 1;  
FIG. 6 is a front view of the multifunctional orthodontic tool shown in FIG. 1;  
FIG. 7 is a rear view of the multifunctional orthodontic tool shown in FIG. 1; and,  
FIG. 8 is another perspective view of the multifunctional orthodontic tool shown in FIG. 1 with several orthodontic tools exposed.  
The elements shown in broken lines are to show environment and form no part of the claimed design.

**1 Claim, 7 Drawing Sheets**



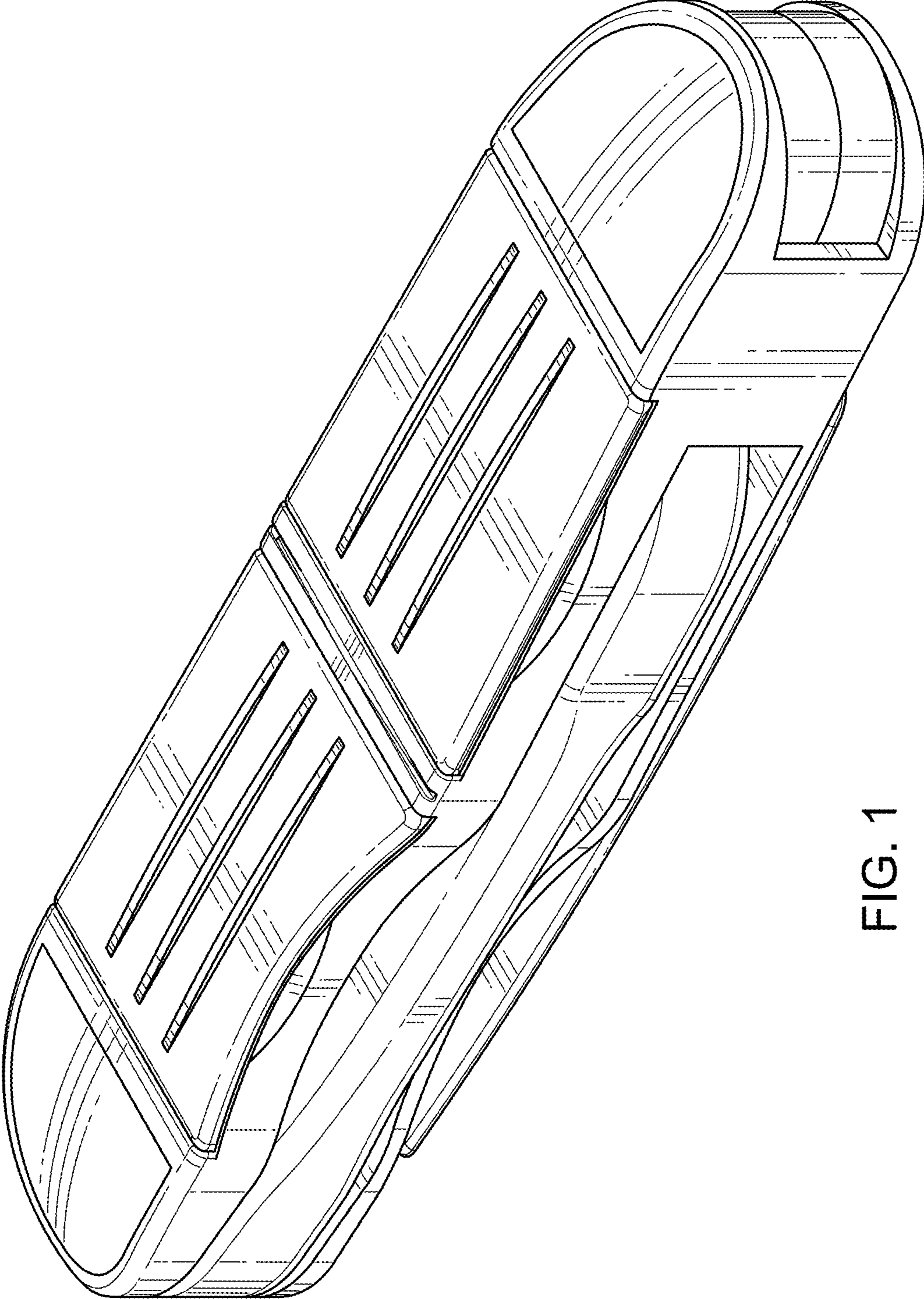


FIG. 1

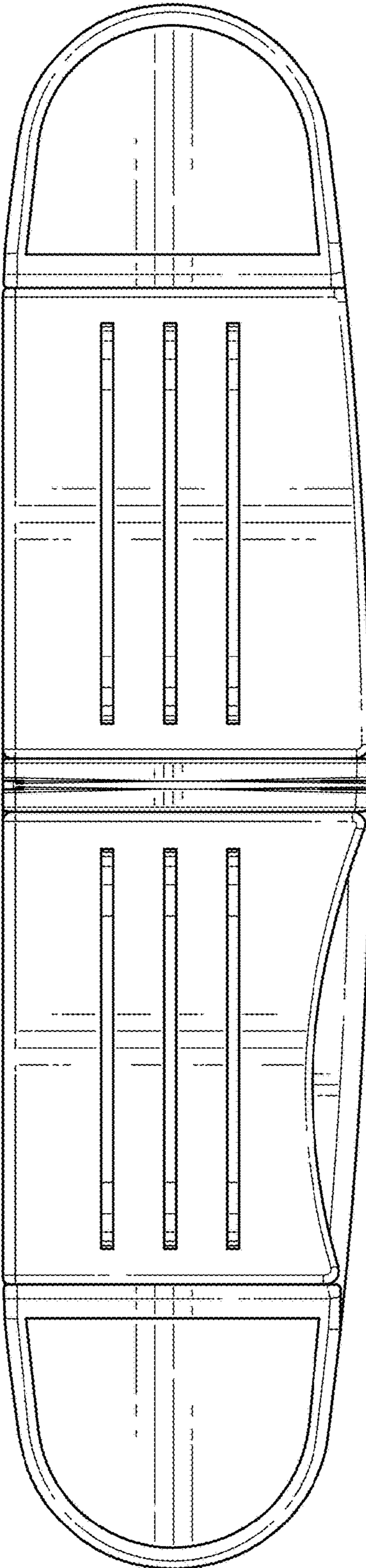


FIG. 2

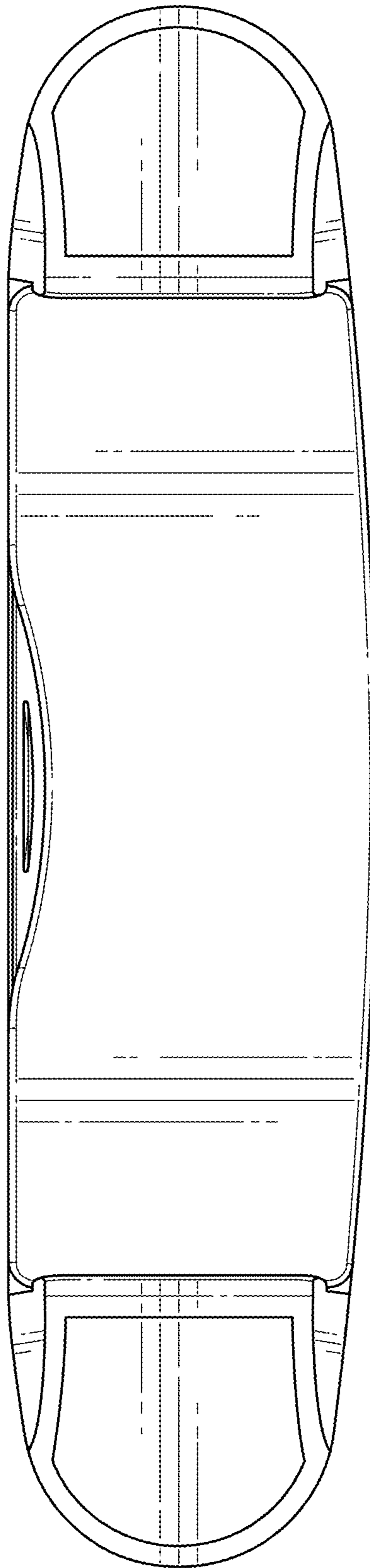


FIG. 3

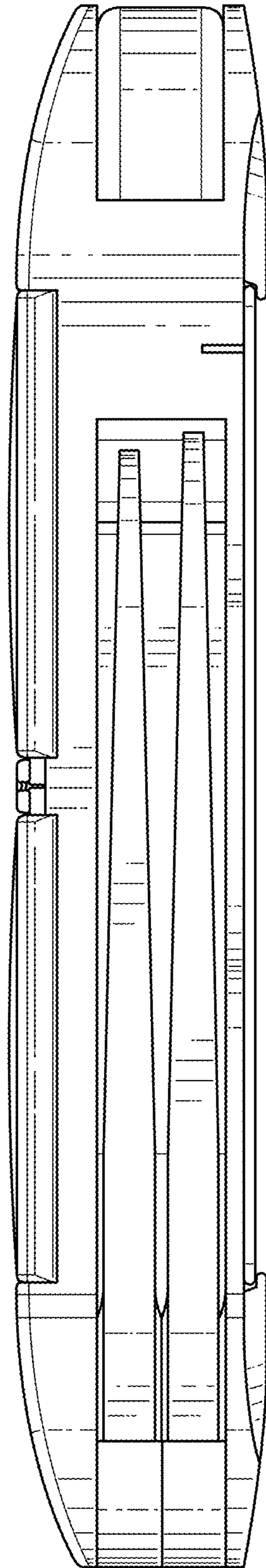


FIG. 4

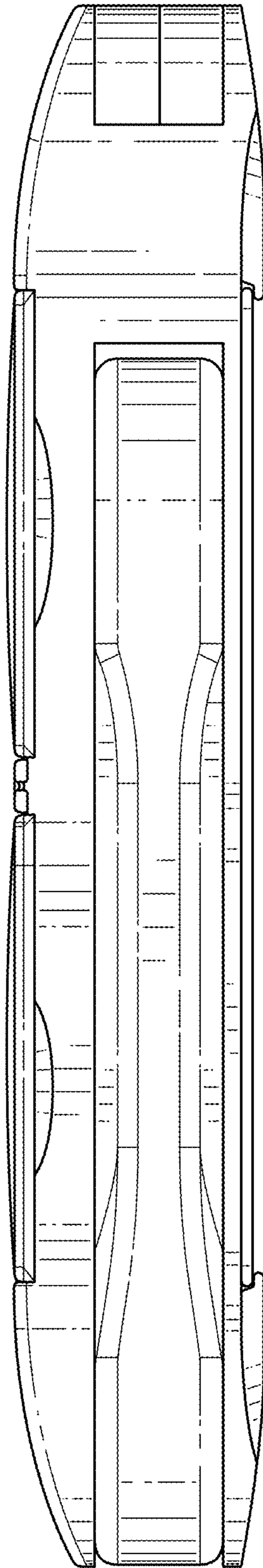


FIG. 5

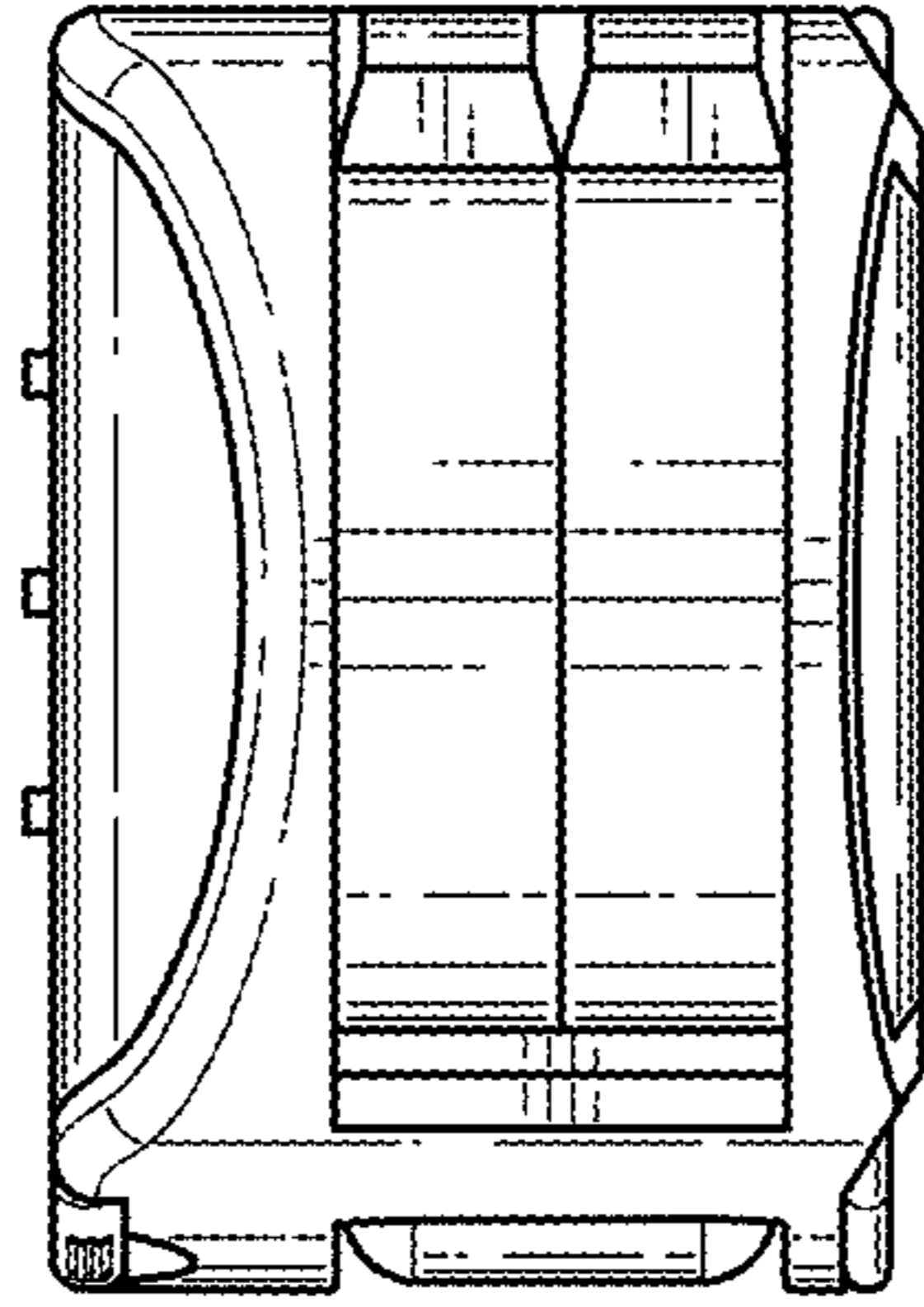


FIG. 7

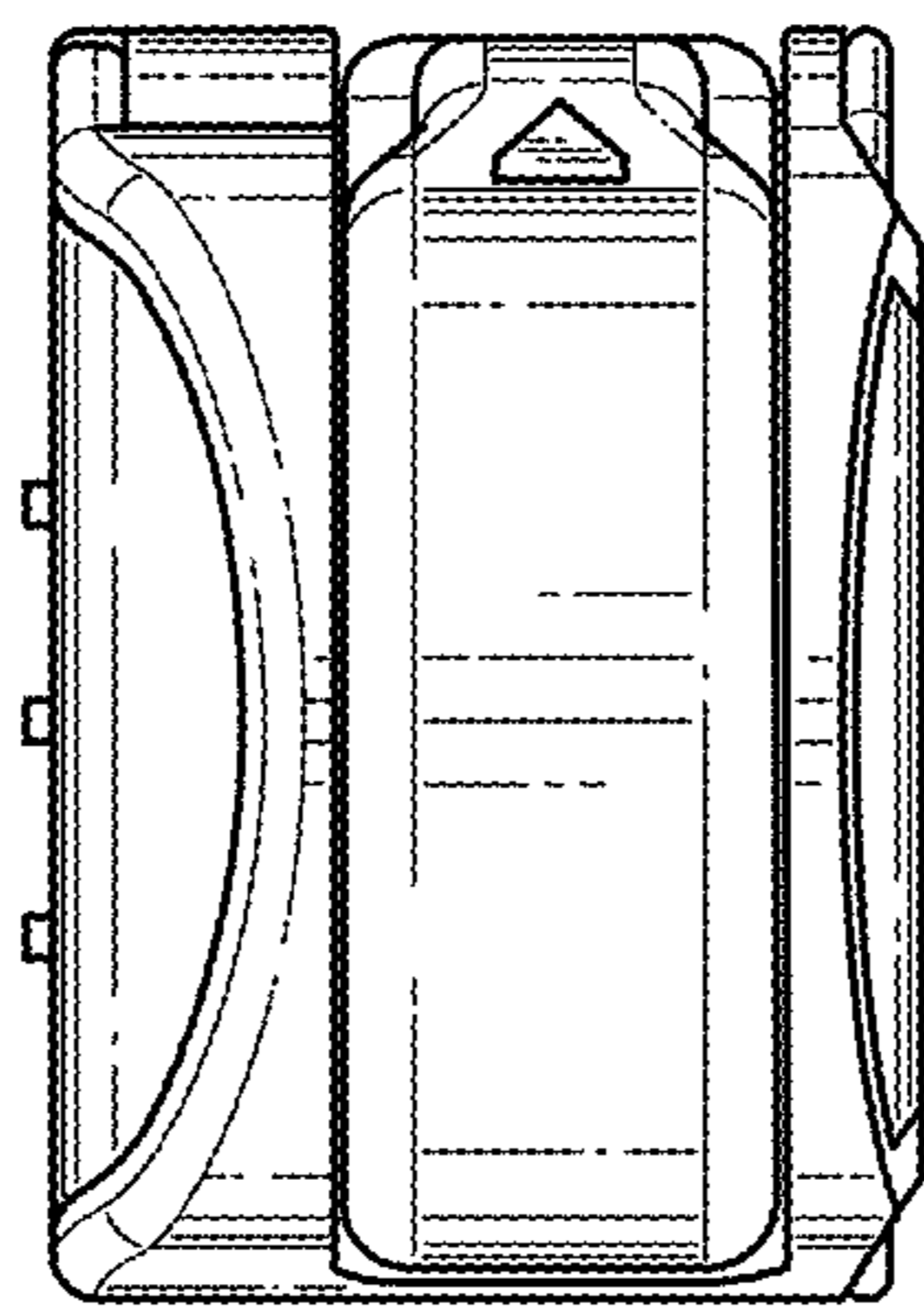


FIG. 6

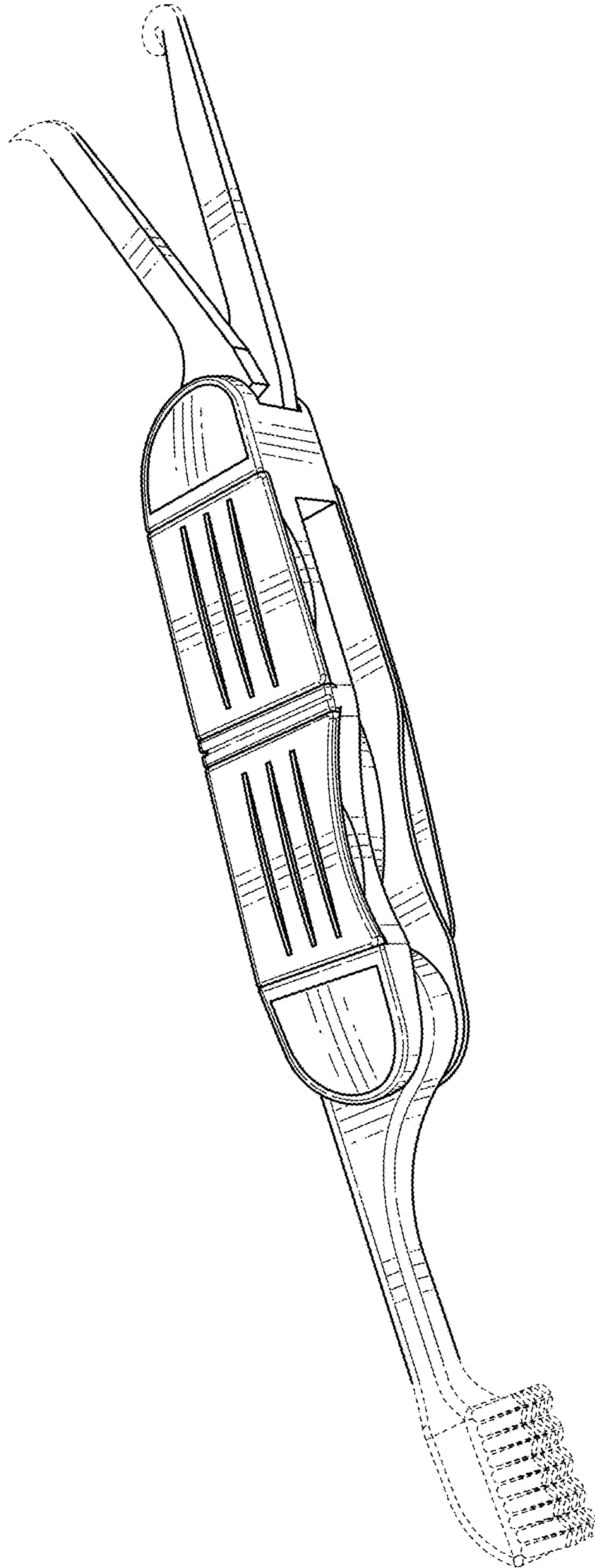


FIG. 8