



US00D794790S

(12) **United States Design Patent** (10) **Patent No.:** **US D794,790 S**
Shi (45) **Date of Patent:** **** Aug. 15, 2017**

(54) **DISPOSABLE SAFETY LANCET**
(71) Applicant: **Sterilance Medical (Suzhou) Inc.,**
Suzhou (CN)
(72) Inventor: **Guoping Shi,** Suzhou (CN)
(73) Assignee: **Sterilance Medical (Suzhou) Inc.,**
Suzhou (CN)
(**) Term: **14 Years**
(21) Appl. No.: **29/517,625**
(22) Filed: **Feb. 13, 2015**
(30) **Foreign Application Priority Data**
Aug. 29, 2014 (CN) 2014 3 0316743
(51) **LOC (10) Cl.** **24-02**
(52) **U.S. Cl.**
USPC **D24/146**
(58) **Field of Classification Search**
USPC D24/146, 147, 130, 133, 113, 114;
600/385, 573, 583, 167, 172, 181-185;
210/453
CPC A61B 17/32053; A61B 17/3494; A61K
45/06
See application file for complete search history.

(56) **References Cited**
U.S. PATENT DOCUMENTS
D376,649 S * 12/1996 Kim D24/146
5,707,384 A * 1/1998 Kim A61B 5/1411
606/181
6,149,608 A * 11/2000 Marshall A61B 5/1411
600/573
6,719,771 B1 * 4/2004 Crossman A61B 5/1411
606/181
D499,182 S * 11/2004 Moore D24/146
D586,465 S * 2/2009 Faulkner D24/146

D586,916 S * 2/2009 Faulkner D24/146
7,655,017 B2 * 2/2010 Starnes A61B 5/1411
606/181
D621,042 S * 8/2010 Ruf D24/146
D645,148 S * 9/2011 Ruf D24/147
8,211,133 B2 * 7/2012 Marshall A61B 5/1411
606/181
8,491,618 B2 * 7/2013 Nicholls 606/181
8,568,434 B2 * 10/2013 Huang A61B 5/1411
606/182
8,652,159 B2 * 2/2014 Trissel A61B 5/1411
606/181
8,828,038 B2 * 9/2014 Brown 600/583
8,920,454 B2 * 12/2014 Hyoue A61B 5/1411
606/181
D736,374 S * 8/2015 Murakami D24/146
D739,932 S * 9/2015 Ratjen D24/113

(Continued)

Primary Examiner — Lakiya Rogers
Assistant Examiner — Carissa C Fitts
(74) *Attorney, Agent, or Firm* — Mintz Levin Cohn Ferris
Glovsky and Popeo, P.C.

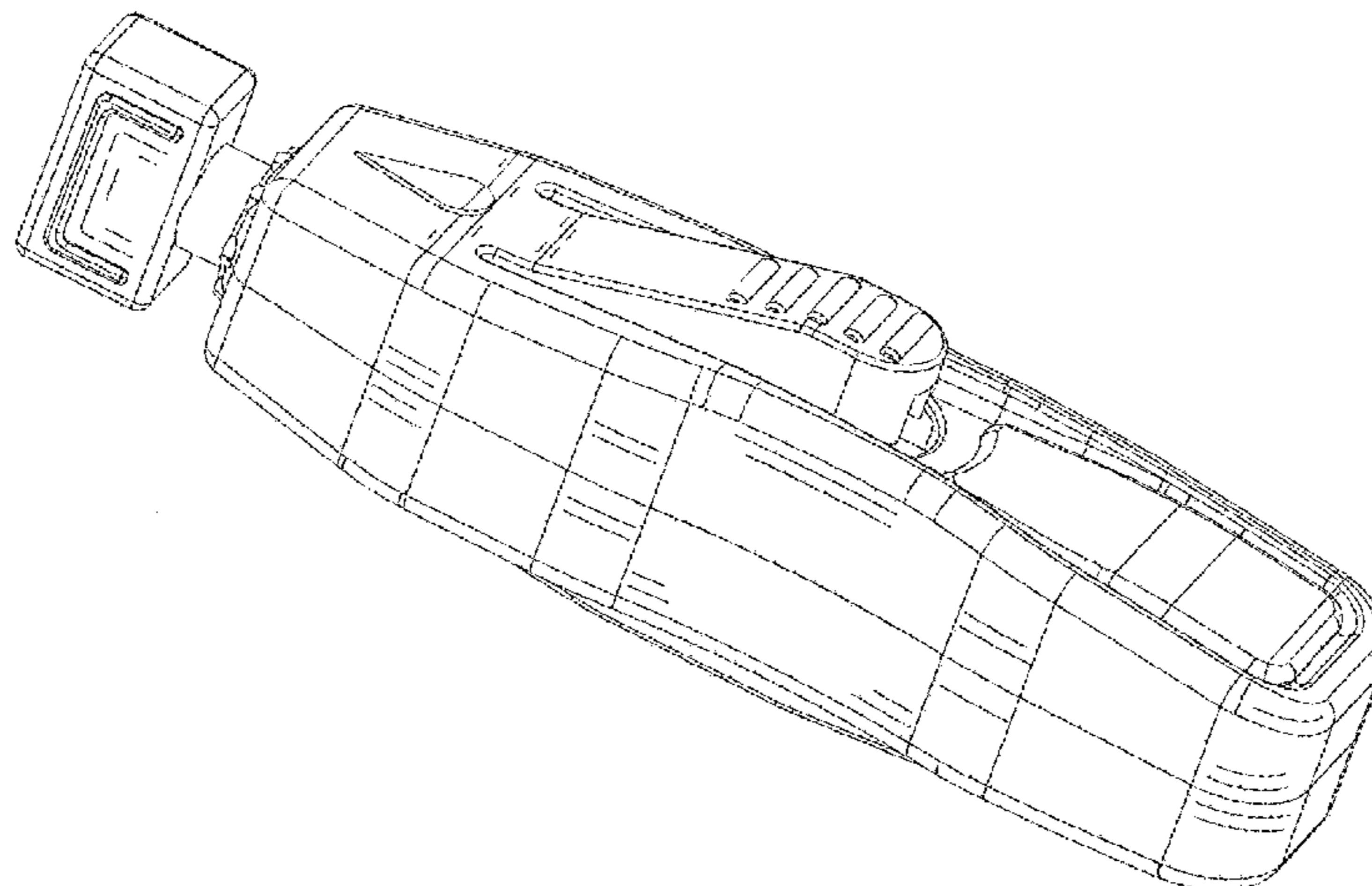
(57) **CLAIM**

I claim the ornamental design for a disposable safety lancet,
as shown and described.

DESCRIPTION

FIG. 1 is a front view of a disposable safety lancet showing
my new design;
FIG. 2 is a rear view thereof;
FIG. 3 is a left view thereof;
FIG. 4 is a right view thereof;
FIG. 5 is a top view thereof;
FIG. 6 is a bottom view thereof;
FIG. 7 is a perspective view thereof; and,
FIG. 8 is a perspective view thereof.
The broken lines represent unclaimed portions of the
claimed article and form no part of the claimed design.

1 Claim, 8 Drawing Sheets



(56)

References Cited

U.S. PATENT DOCUMENTS

D746,458 S * 12/2015 Imori D24/147
2008/0039885 A1 * 2/2008 Purcell A61B 5/1411
606/182

* cited by examiner

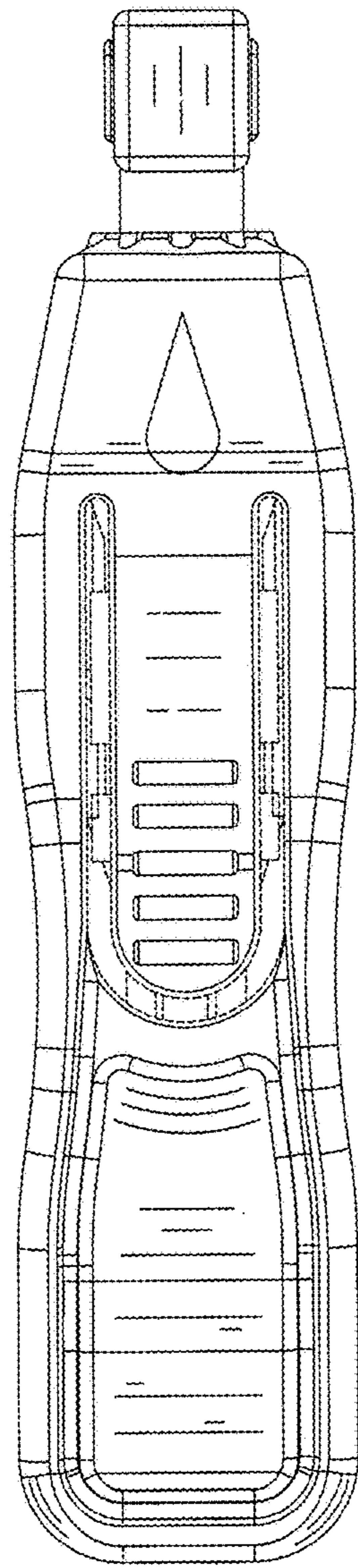


Fig. 1

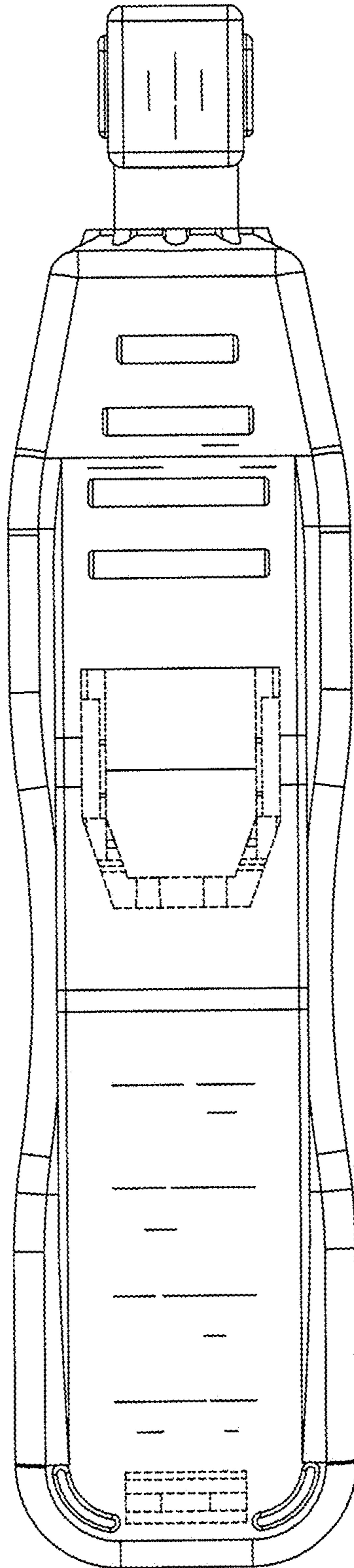


Fig. 2

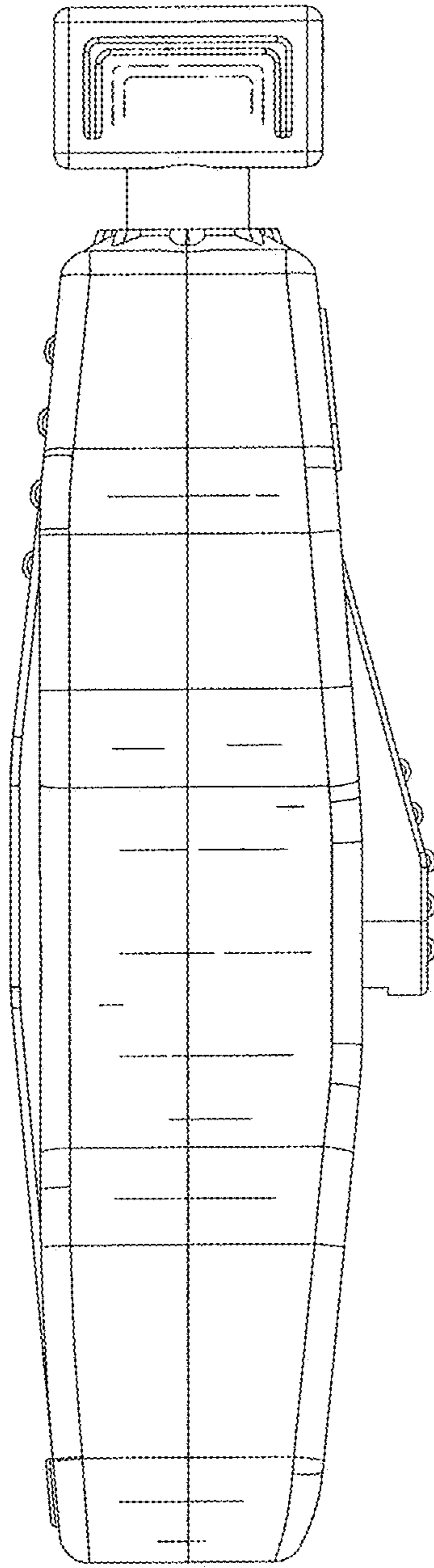


Fig. 3

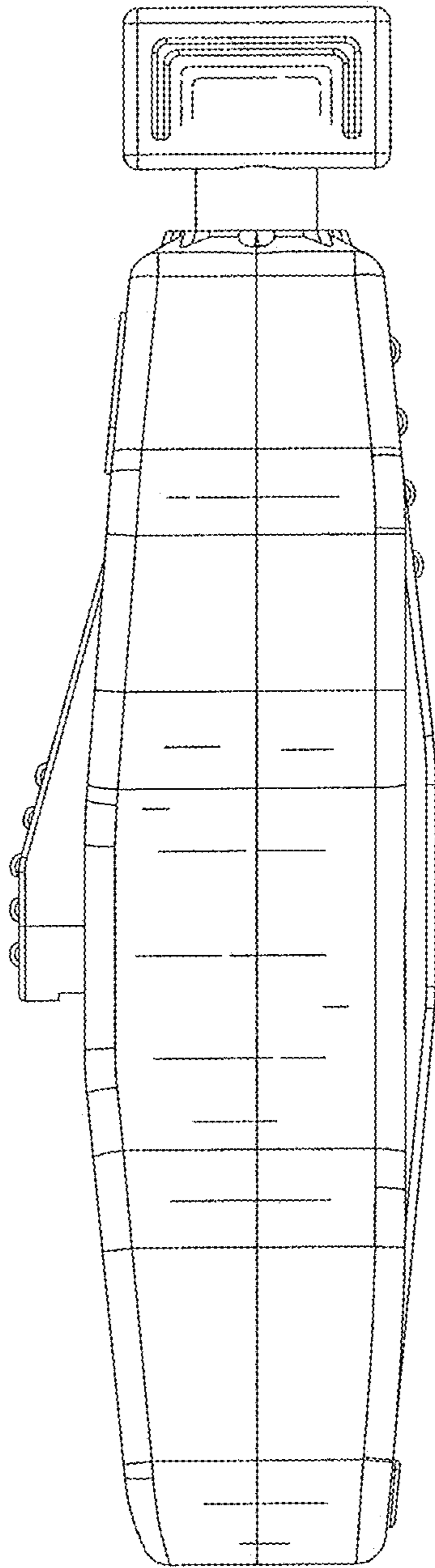


Fig. 4

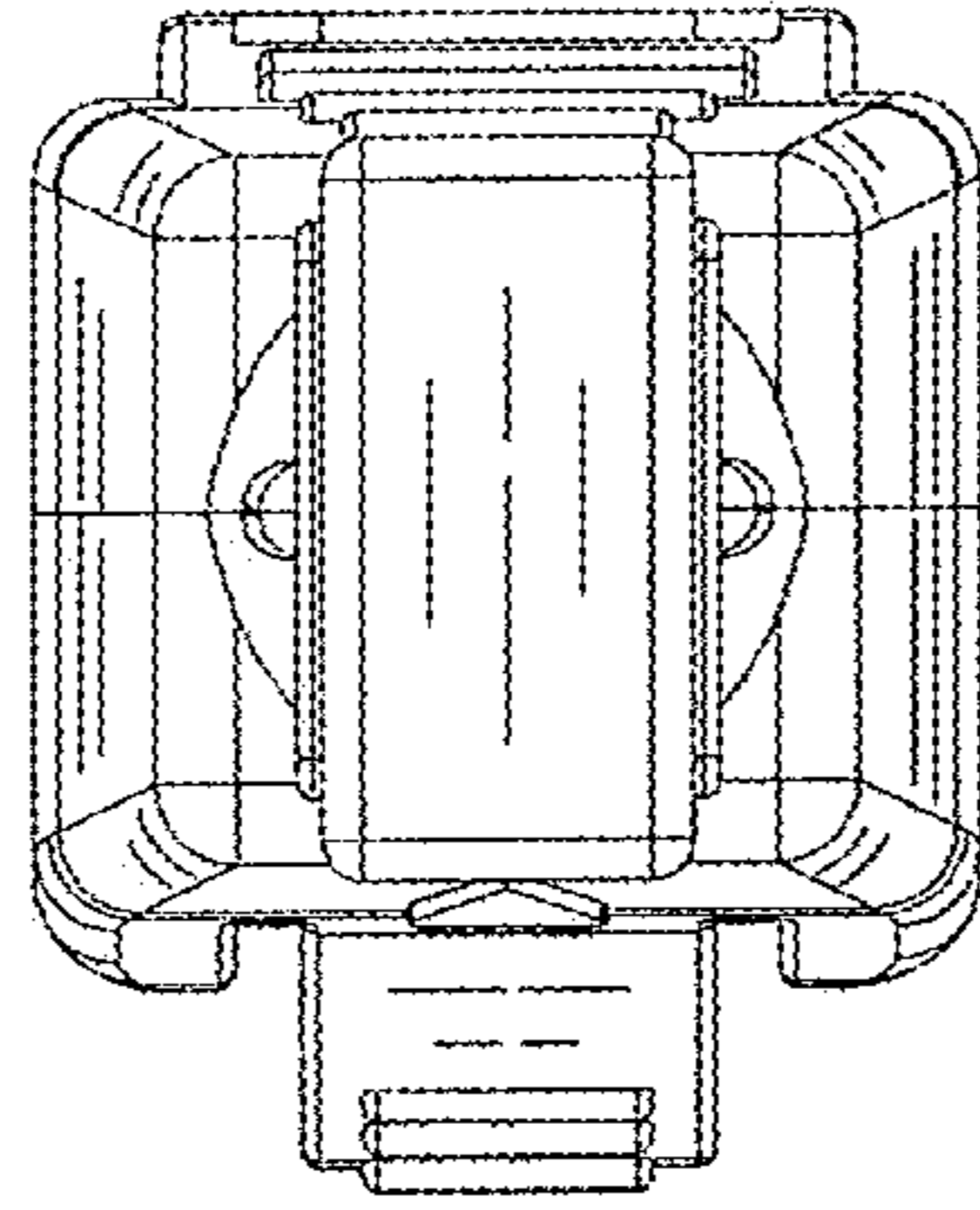


Fig. 5

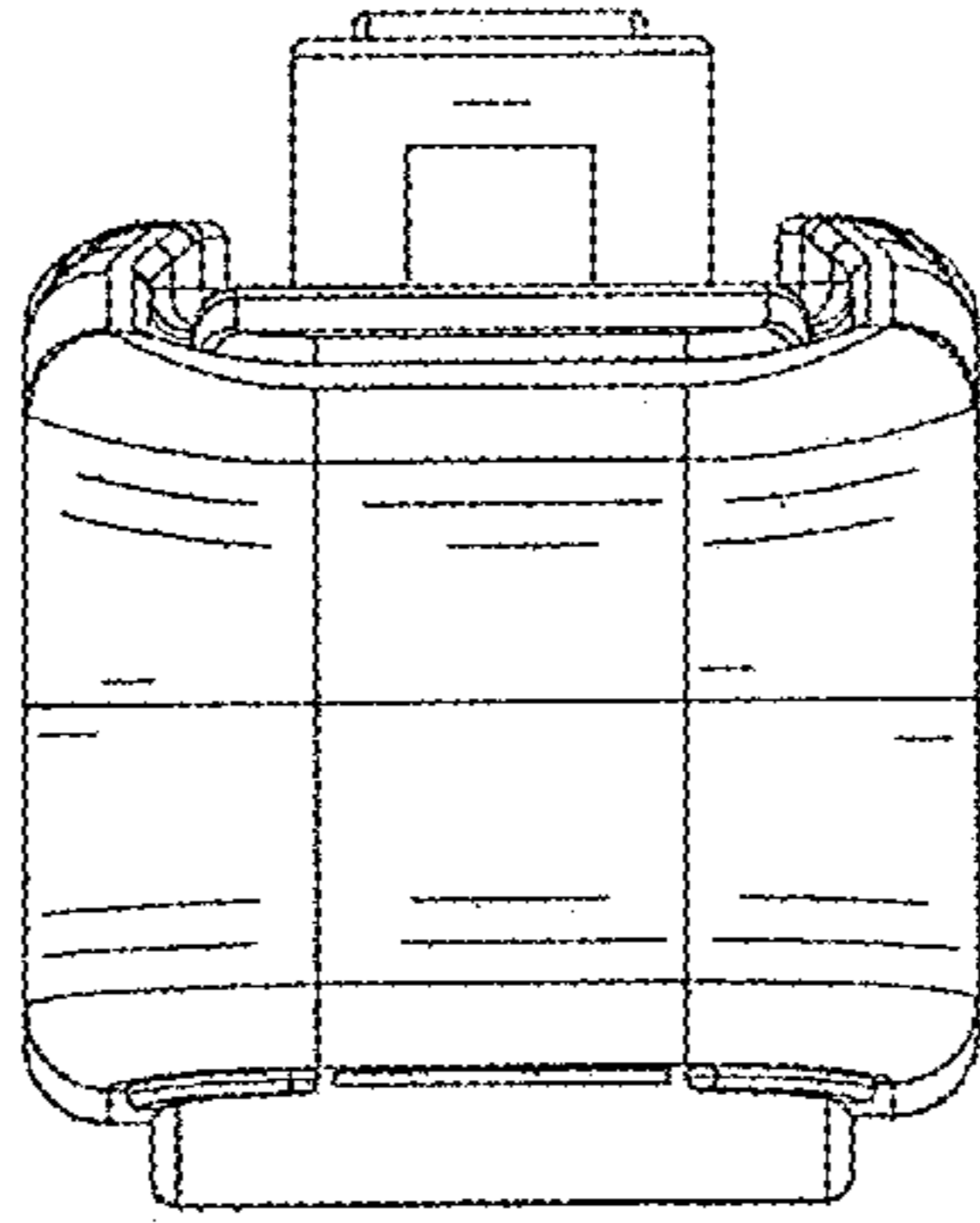


Fig. 6

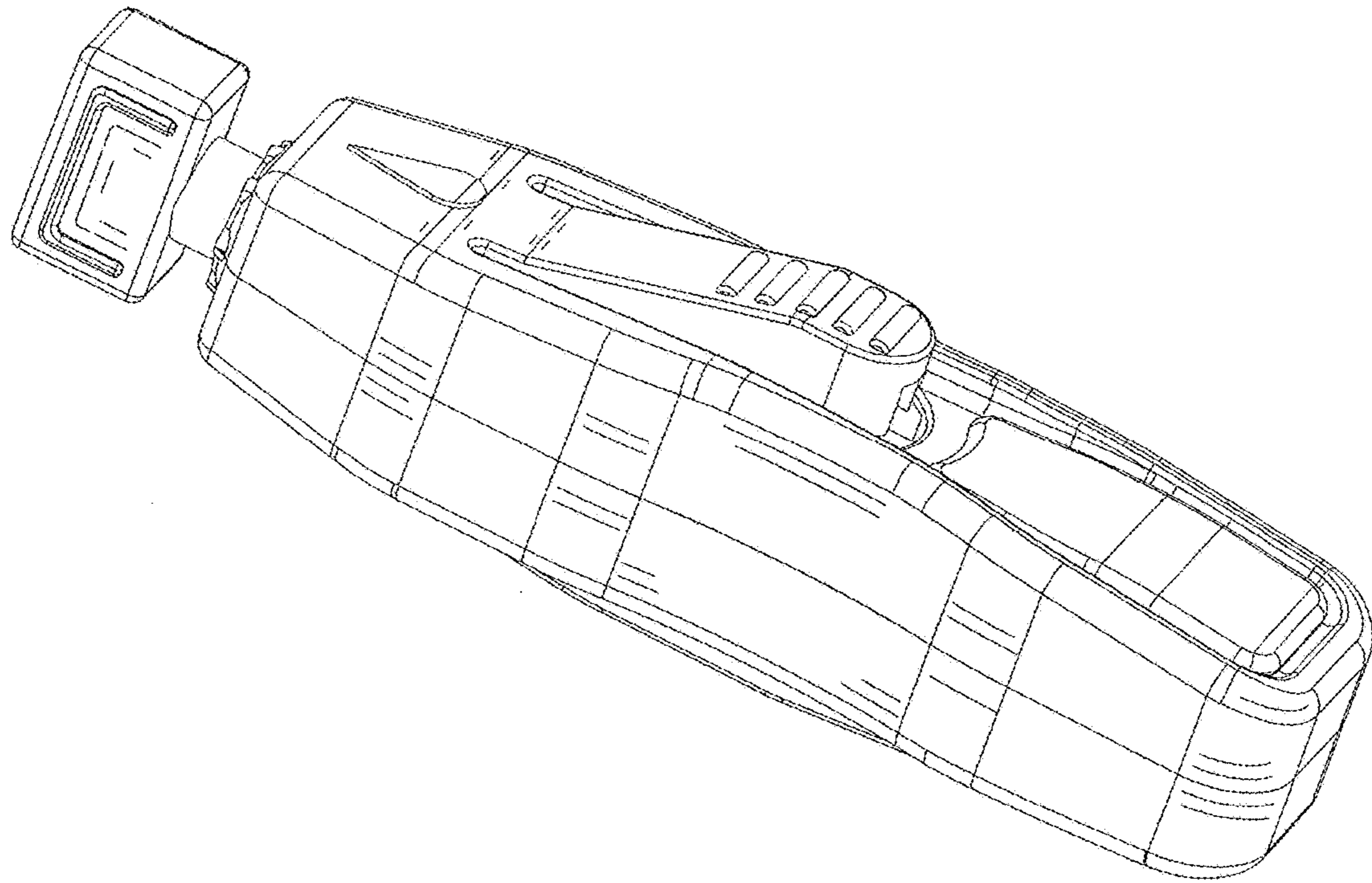


Fig. 7

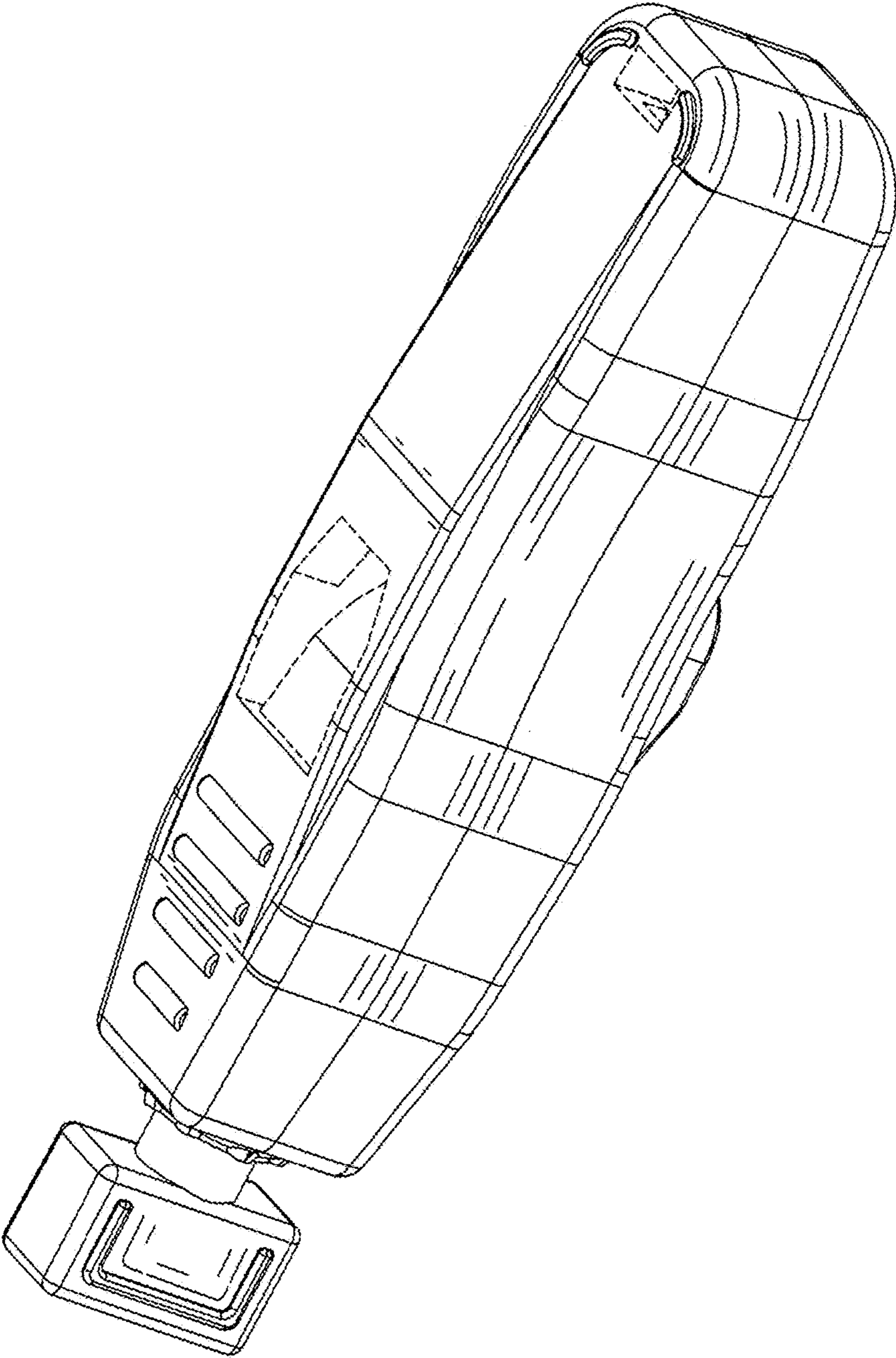


Fig. 8