

US00D794789S

(12) **United States Design Patent**  
**Kirwan, Jr. et al.**

(10) **Patent No.:** **US D794,789 S**  
(45) **Date of Patent:** **\*\* Aug. 15, 2017**

(54) **ELECTROSURGICAL FORCEPS**

FOREIGN PATENT DOCUMENTS

(71) Applicant: **Kirwan Surgical Products LLC**,  
Marshfield, MA (US)

EP 0 159 453 4/1984  
EP 2 398 406 4/2013

(Continued)

(72) Inventors: **Lawrence T. Kirwan, Jr.**, Kingston,  
MA (US); **Robert T. Boyd**, Kingston,  
MA (US); **Aaron Cohen-Gadol**,  
Indianapolis, IN (US)

OTHER PUBLICATIONS

Aesculap Neurosurgery (Sensation Micro Instruments) Braun,  
www.aesculapusa.com 2009.

(Continued)

(73) Assignee: **Kirwan Surgical Products LLC**,  
Marshfield, MA (US)

*Primary Examiner* — Wan Laymon

(\*\*) Term: **15 Years**

(74) *Attorney, Agent, or Firm* — Postemak Blankstein &  
Lund LLP

(21) Appl. No.: **29/580,002**

(22) Filed: **Oct. 5, 2016**

(57) **CLAIM**

The ornamental design for an electro-surgical forceps, as  
shown and described.

**Related U.S. Application Data**

**DESCRIPTION**

(62) Division of application No. 29/525,680, filed on May  
1, 2015, now Pat. No. Des. 771,810.

(51) **LOC (10) Cl.** ..... **24-02**

(52) **U.S. Cl.**  
USPC ..... **D24/143**

(58) **Field of Classification Search**  
USPC ..... D24/143, 146  
CPC ..... A61B 17/28; A61B 17/29; A61B 17/30;  
A61B 18/1442; A61B 18/1445  
See application file for complete search history.

FIG. 1 is a perspective view of an electro-surgical forceps.  
FIG. 2 is a top plan view of the electro-surgical forceps of  
FIG. 1.

FIG. 3 is a bottom plan view of the electro-surgical forceps  
of FIG. 1.

FIG. 4 is a right side elevation view of the electro-surgical  
forceps of FIG. 1.

FIG. 5 is a left side elevation view of the electro-surgical  
forceps of FIG. 1.

FIG. 6 is a distal end elevation view of the electro-surgical  
forceps of FIG. 1.

FIG. 7 is a proximal end elevation view of the electro-surgical  
forceps of FIG. 1.

FIG. 8 is a top plan view of a variant of the electro-surgical  
forceps of FIG. 1 having a shorter blade length; and,

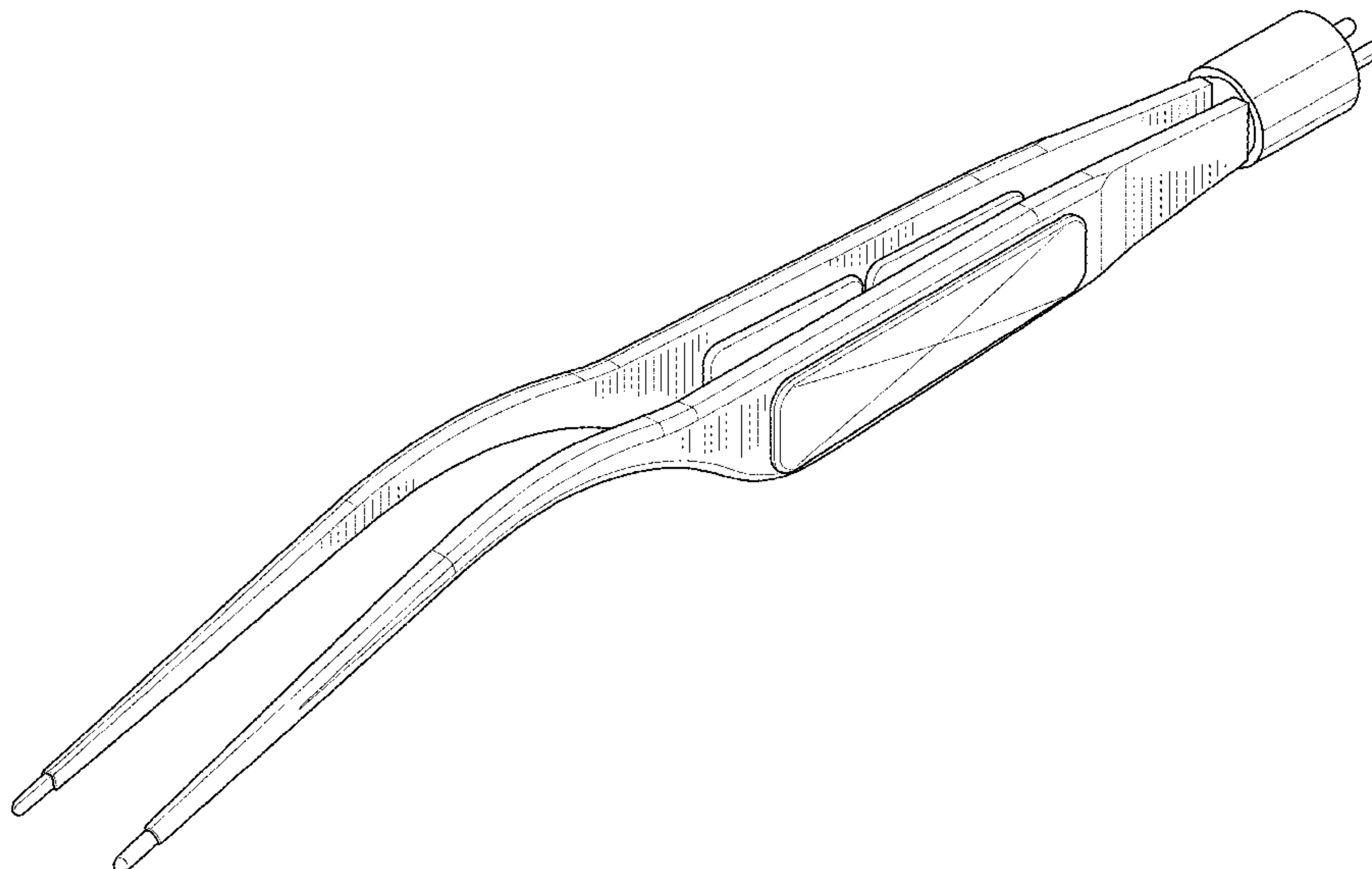
FIG. 9 is a top plan view of a variant of the electro-surgical  
forceps of FIG. 1 having a longer blade length.

(56) **References Cited**

U.S. PATENT DOCUMENTS

4,147,443 A 4/1979 Skobel  
4,461,297 A 7/1984 Sutter  
4,727,876 A 3/1988 Porat et al.  
4,890,610 A 1/1990 Kirwan, Sr. et al.  
5,047,049 A 9/1991 Salai  
5,108,392 A 4/1992 Spingler  
(Continued)

**1 Claim, 4 Drawing Sheets**



(56)

**References Cited**

U.S. PATENT DOCUMENTS

5,147,368 A 9/1992 Brown  
 5,746,739 A 5/1998 Sutter  
 6,174,321 B1 1/2001 Webb  
 6,228,084 B1 5/2001 Kirwan, Jr.  
 6,860,882 B2\* 3/2005 Battles ..... A61B 18/1442  
 6,866,314 B2 3/2005 Cho  
 D559,984 S 1/2008 Scheller  
 7,513,897 B2 4/2009 Sutter et al.  
 7,682,372 B2 3/2010 Peterson  
 7,789,882 B2 9/2010 Ariola et al.  
 7,867,230 B2 1/2011 Asahara et al.  
 8,657,851 B2 2/2014 Aufaure et al.  
 D707,816 S 6/2014 LaMontagne et al.  
 D707,817 S 6/2014 Schallert  
 9,044,242 B2\* 6/2015 Scheller ..... A61B 18/1442  
 9,320,562 B2 4/2016 Kienzle et al.  
 2002/0106609 A1 8/2002 Palermo et al.  
 2005/0125013 A1 6/2005 Kessler  
 2009/0012519 A1 1/2009 Manrique et al.  
 2009/0054925 A1 2/2009 Cho

2010/0049243 A1 2/2010 Luh  
 2011/0143112 A1 6/2011 Cai et al.  
 2012/0004685 A1 1/2012 Kienzle et al.  
 2012/0209316 A1 8/2012 Tarlton et al.  
 2012/0253364 A1 10/2012 Perin  
 2013/0247333 A1 9/2013 Bender et al.  
 2015/0005768 A1 1/2015 Sutherland et al.  
 2015/0282871 A1 10/2015 Wang et al.  
 2016/0317214 A1\* 11/2016 Kirwan, Jr. .... A61B 18/1442

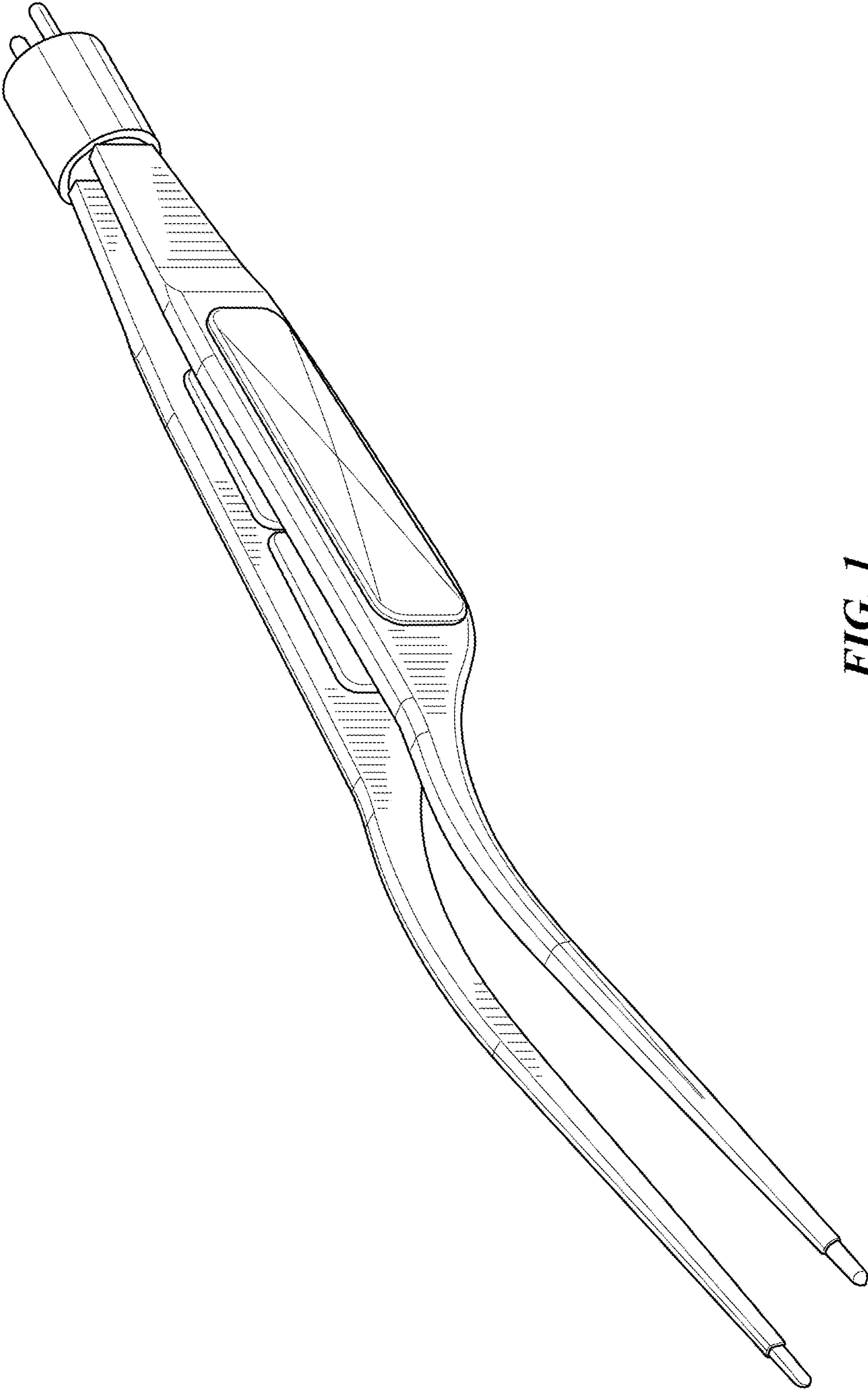
FOREIGN PATENT DOCUMENTS

WO WO 99/55241 11/1999  
 WO WO 2004/000143 12/2003

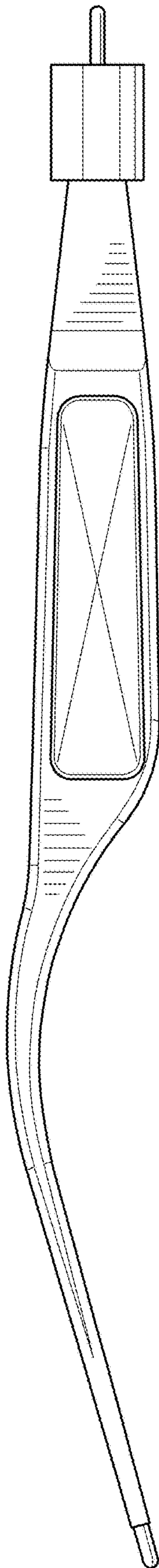
OTHER PUBLICATIONS

C-Flex brochure, 2013, available at <http://www.biopharm.saint-gobain.com/en/Products.asp?ID=17>, accessed Apr. 22, 2015.  
 U.S. Appl. No. 29/525,680, filed May 1, 2015, Lawrence T. Kirwan, et al.

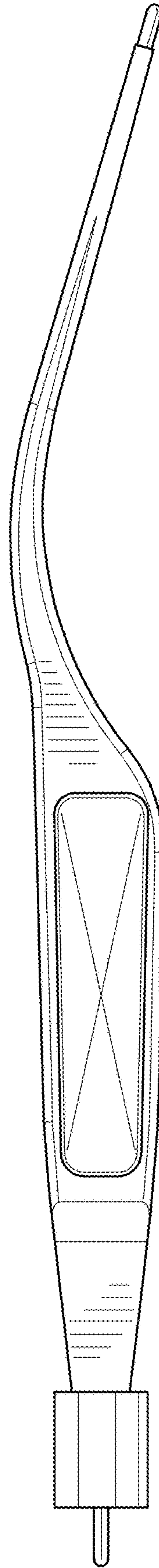
\* cited by examiner



**FIG. 1**

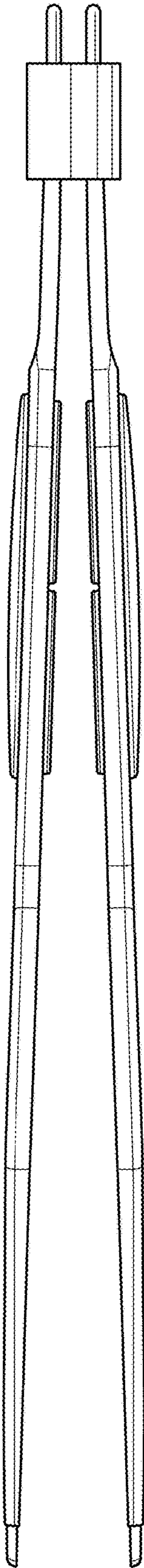


**FIG. 2**

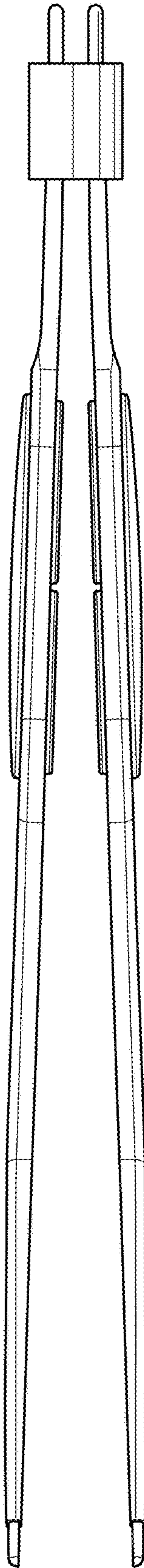


**FIG. 3**

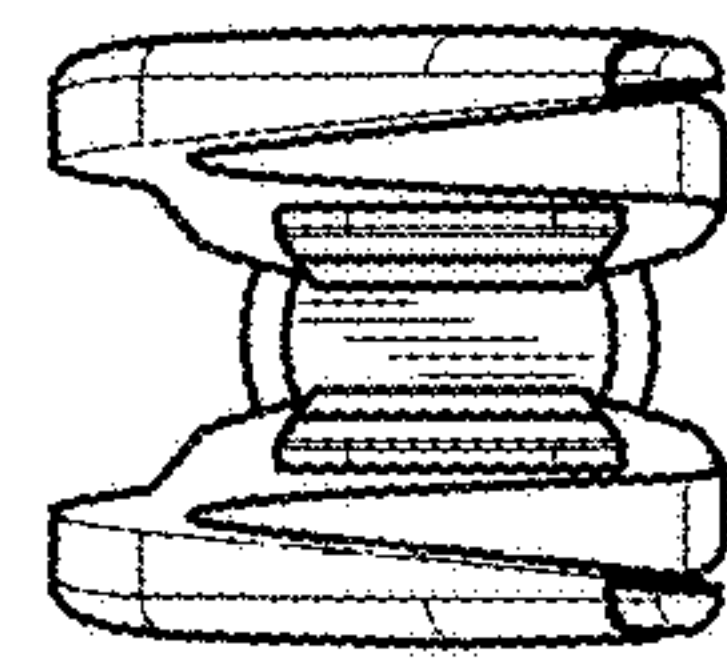




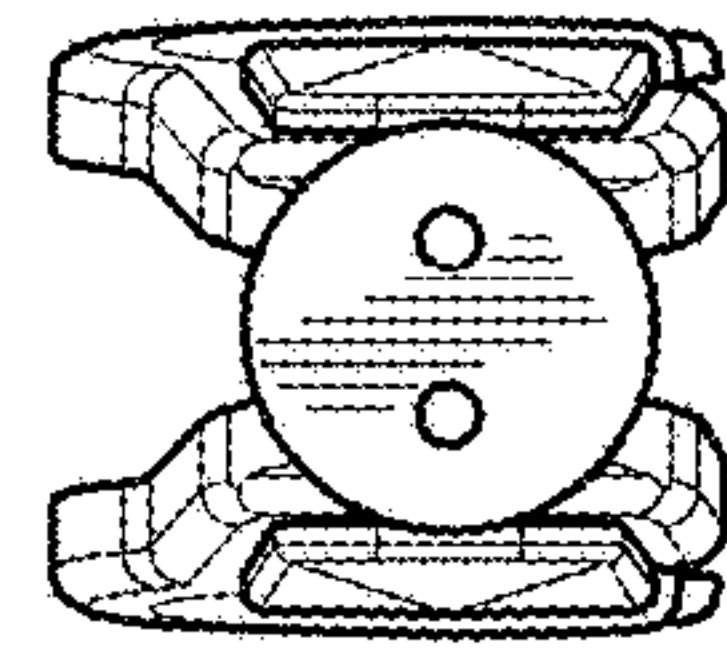
**FIG. 4**



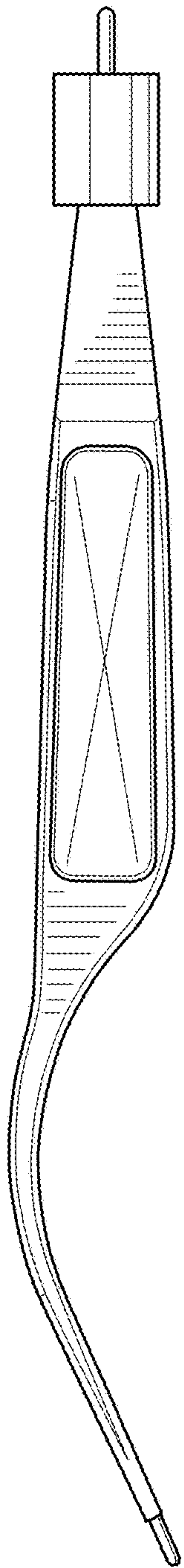
**FIG. 5**



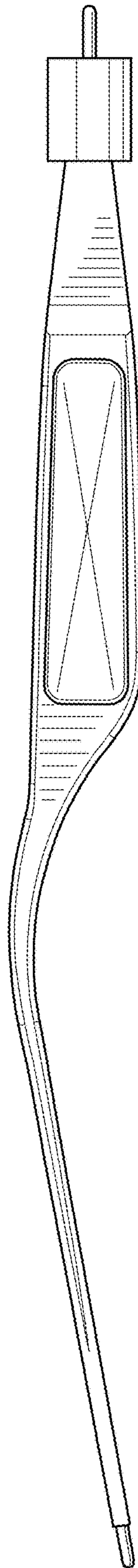
**FIG. 6**



**FIG. 7**



**FIG. 8**



**FIG. 9**