



US00D794787S

(12) **United States Design Patent**
Kheradpir et al.

(10) **Patent No.:** **US D794,787 S**

(45) **Date of Patent:** **** Aug. 15, 2017**

(54) **CALIBRATION BLOCK**

(71) Applicants: **Leila Kheradpir**, Toronto (CA);
William Wai-Leung Lau, Toronto
(CA); **Gal Sela**, Toronto (CA); **Neil
Witcomb**, Toronto (CA)

(72) Inventors: **Leila Kheradpir**, Toronto (CA);
William Wai-Leung Lau, Toronto
(CA); **Gal Sela**, Toronto (CA); **Neil
Witcomb**, Toronto (CA)

(73) Assignee: **SYNAPTIVE MEDICAL
(BARBADOS) INC.**, Bridgetown (BB)

(**) Term: **14 Years**

(21) Appl. No.: **29/506,602**

(22) Filed: **Oct. 17, 2014**

(51) **LOC (10) Cl.** **24-02**

(52) **U.S. Cl.**
USPC **D24/140**

(58) **Field of Classification Search**
USPC D24/140, 133, 137, 138
CPC . G06T 7/0004; G01B 11/2504; G01B 11/254;
G01B 2210/56; G01B 3/30; G01B 17/00;
G01N 29/30
See application file for complete search history.

(56) **References Cited**

U.S. PATENT DOCUMENTS

| | | | | |
|----------------|---------|---------------|-------|-------------|
| D221,113 S * | 7/1971 | Kurtz et al. | | D24/128 |
| D247,822 S * | 5/1978 | Hein | | 600/556 |
| 4,373,267 A * | 2/1983 | Lycan | | G01B 3/30 |
| | | | | 33/502 |
| D352,111 S * | 11/1994 | Watkins | | D10/64 |
| D355,254 S * | 2/1995 | Krafft | | D10/64 |
| 5,647,371 A * | 7/1997 | White, Jr. | | A61B 5/441 |
| | | | | 600/556 |
| 8,449,547 B2 * | 5/2013 | Axelsson, Jr. | | A61B 17/155 |
| | | | | 606/86 R |

| | | | | |
|----------------|---------|--------------|-------|-------------|
| D694,884 S * | 12/2013 | Mooradian | | D24/140 |
| 8,808,298 B2 * | 8/2014 | Raub | | A61B 17/155 |
| | | | | 606/88 |
| 9,339,226 B2 * | 5/2016 | van der Walt | | A61B 5/4528 |

(Continued)

FOREIGN PATENT DOCUMENTS

JP D1332836 * 6/2008

OTHER PUBLICATIONS

USOC Medical. <URL: <http://www.usocmedical.com/product/calibration-block-oem-compatible-3531-7/>>. Visited Aug. 1, 2016. Calibration Block.*

(Continued)

Primary Examiner — Bridget L Eland
Assistant Examiner — Lauren McVey
(74) *Attorney, Agent, or Firm* — Perry + Currier Inc.

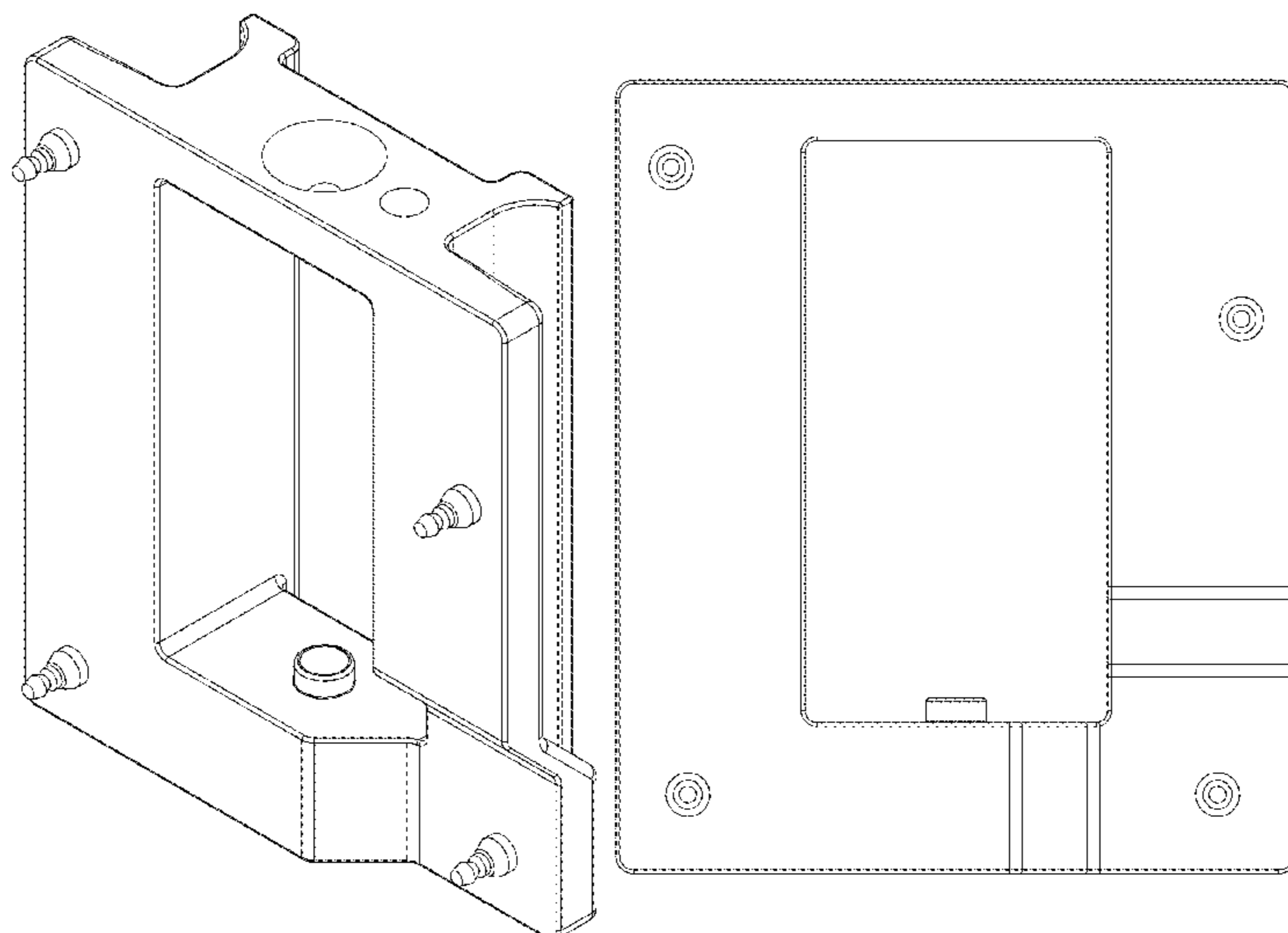
(57) **CLAIM**

We claim the ornamental design for a calibration block, as shown and described.

DESCRIPTION

FIG. 1 is a front perspective view of a calibration block, showing our new design;
FIG. 2 is a back perspective view thereof;
FIG. 3 is a front elevation view thereof;
FIG. 4 is a rear elevation view thereof;
FIG. 5 is a top plan view thereof;
FIG. 6 is a bottom plan view thereof;
FIG. 7 is a left side elevation view thereof;
FIG. 8 is a right side elevation view thereof; and,
FIG. 9 is a second front perspective view thereof, shown with environment.
The broken lines are directed to environment and form no part of the claimed design.
The wire frame lines shown throughout the views are intended to indicate surface contour.

1 Claim, 9 Drawing Sheets



(56)

References Cited

U.S. PATENT DOCUMENTS

D761,959 S * 7/2016 Wapler D14/205
2005/0203528 A1* 9/2005 Couture A61B 17/154
606/86 R
2009/0248044 A1* 10/2009 Amiot G01C 21/16
606/130

OTHER PUBLICATIONS

Product Webpage "Stryker Calibration Tool", <http://www.labx.com/item/stryker-calibration-tool/LV32572128>, retrieved on Jan. 15, 2015.

Brochure, "Stryker Navigation System: The Smarter Version", Stryker Leibinger Inc., <http://www.stryker.com.br/arquivos/navmultimodular.pdf>, retrieved on Jan. 15, 2015.

* cited by examiner

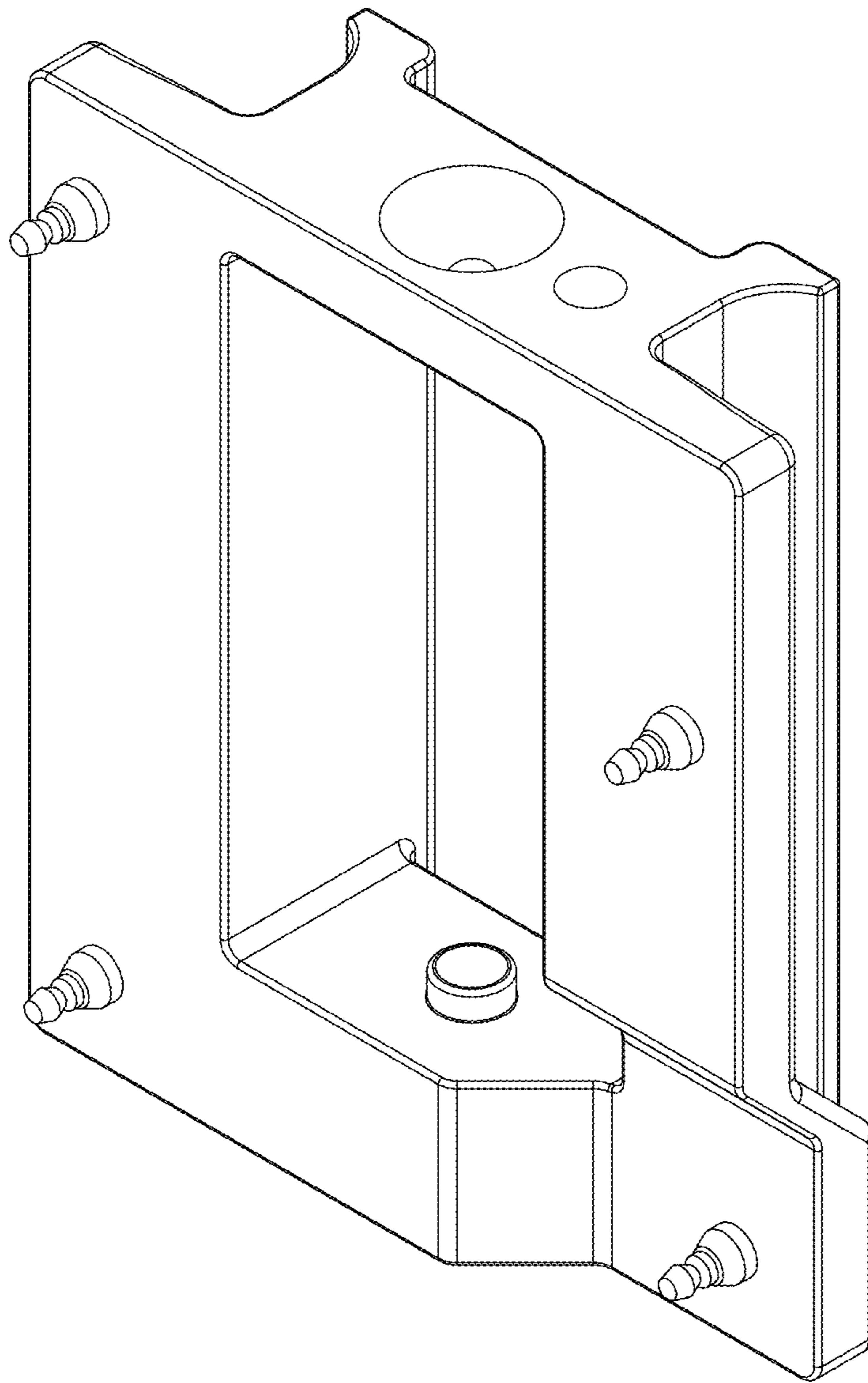


FIG.1

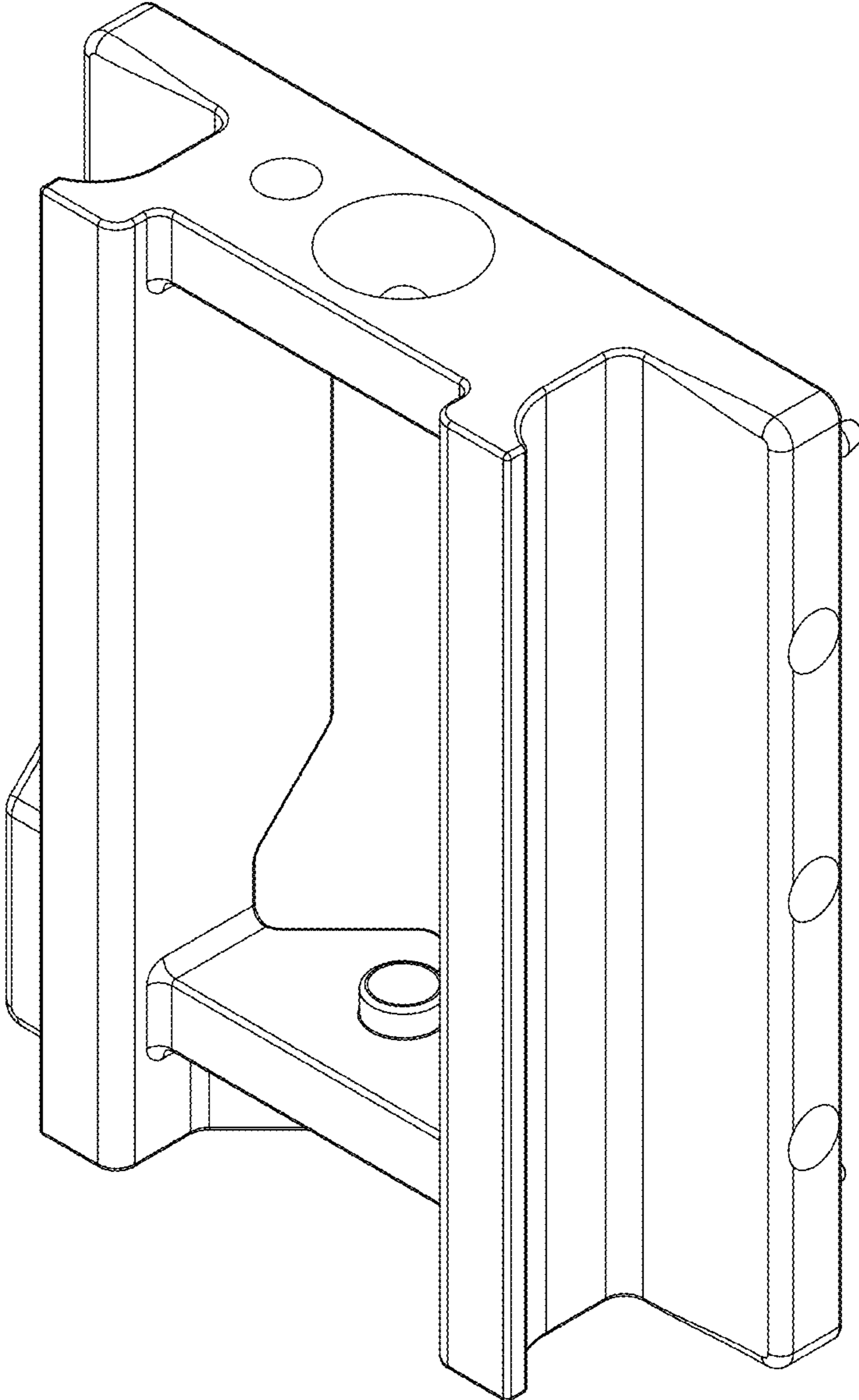


FIG.2

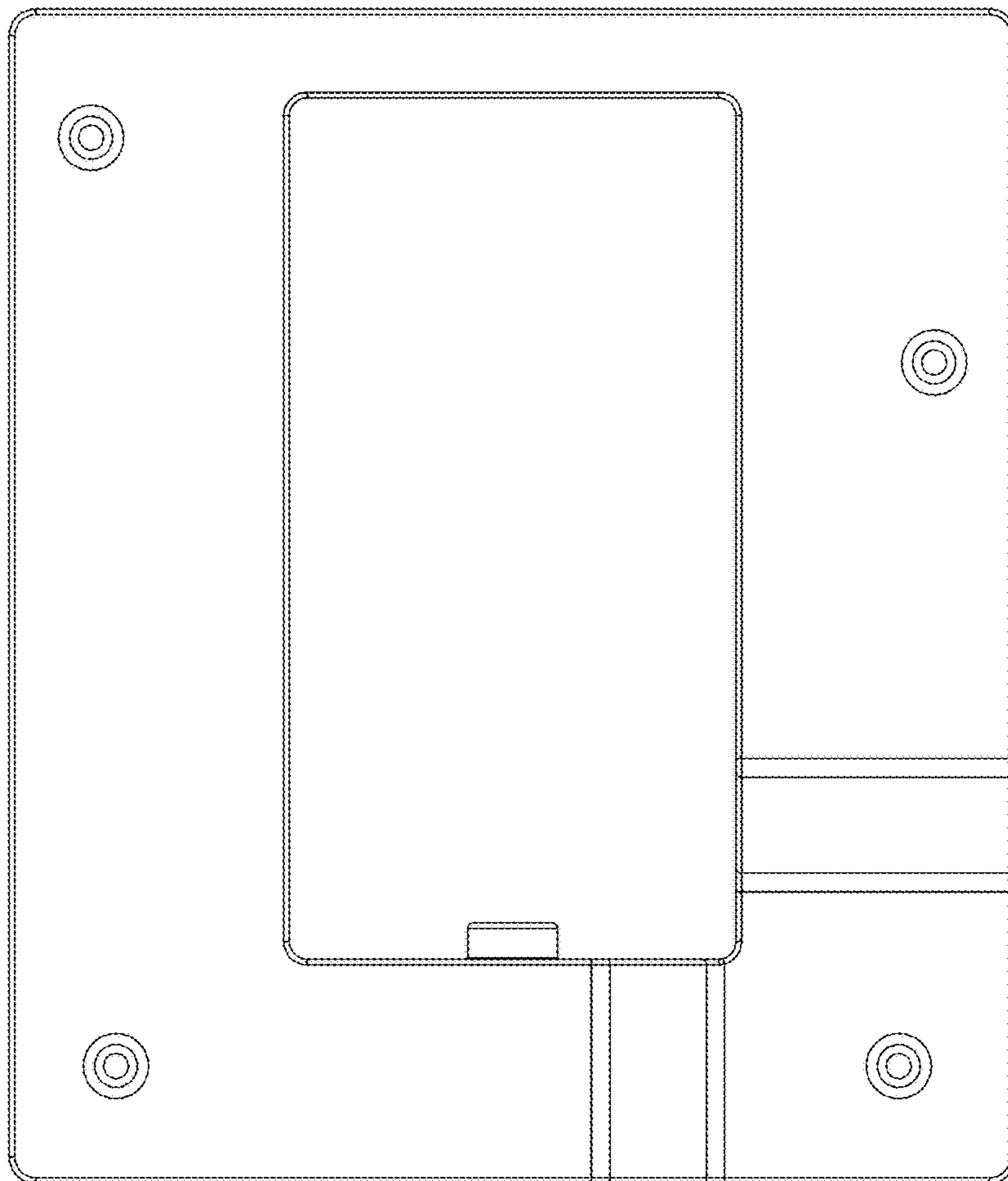


FIG.3

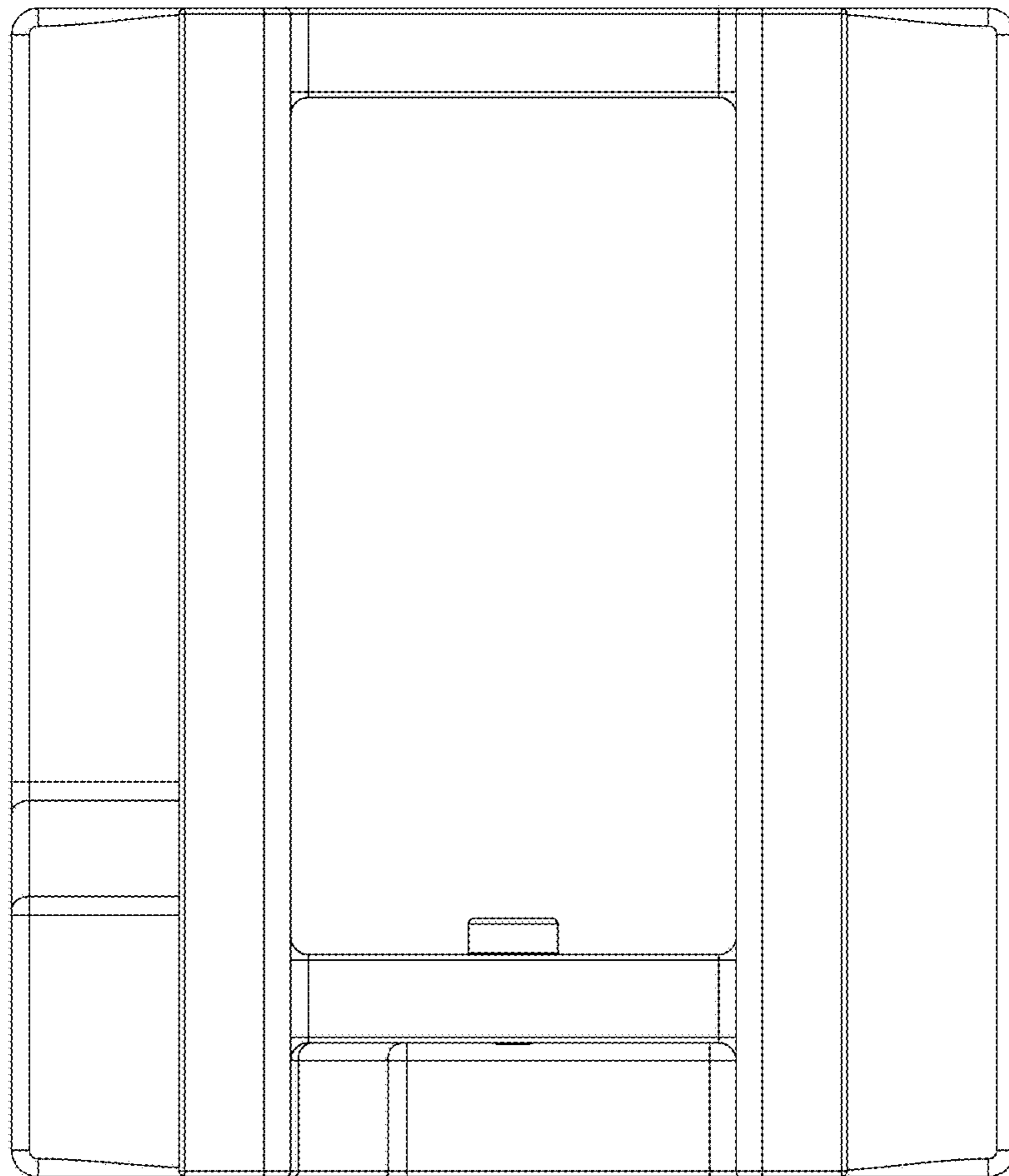


FIG. 4

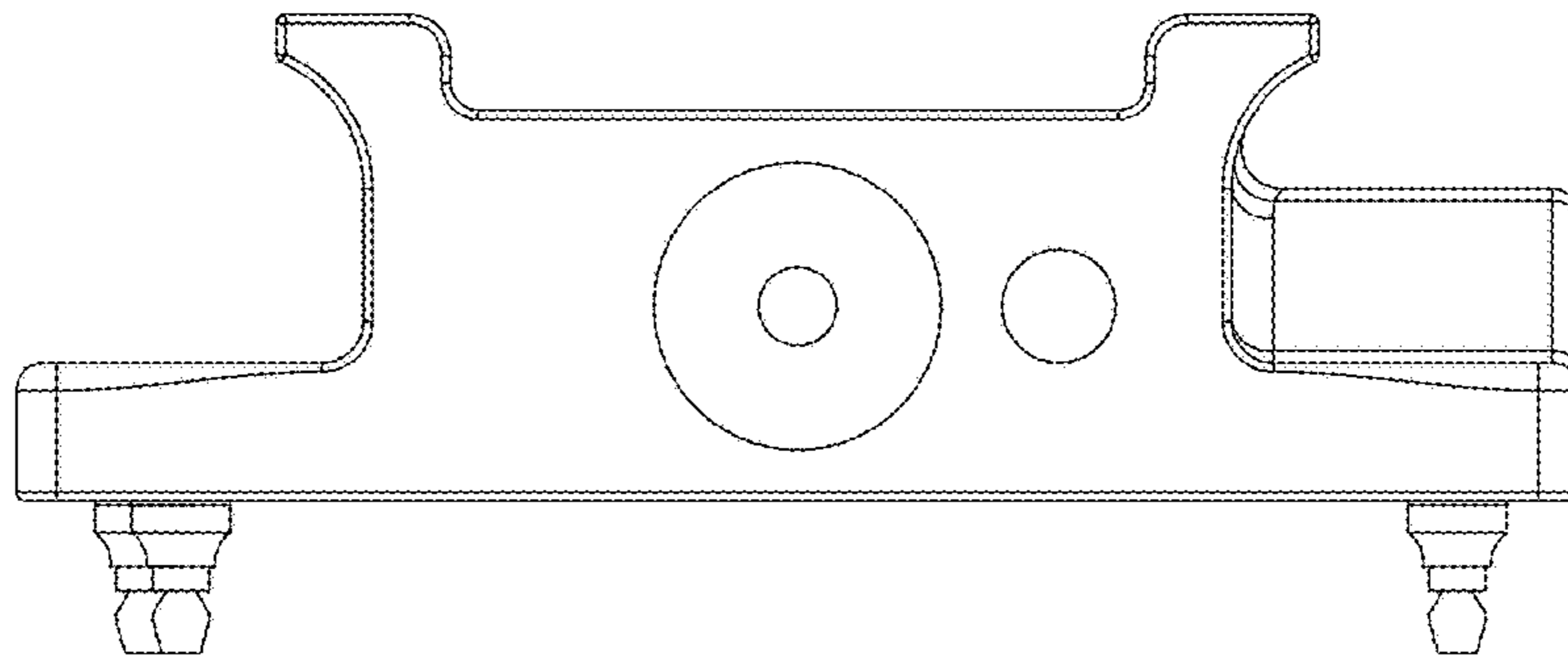


FIG.5

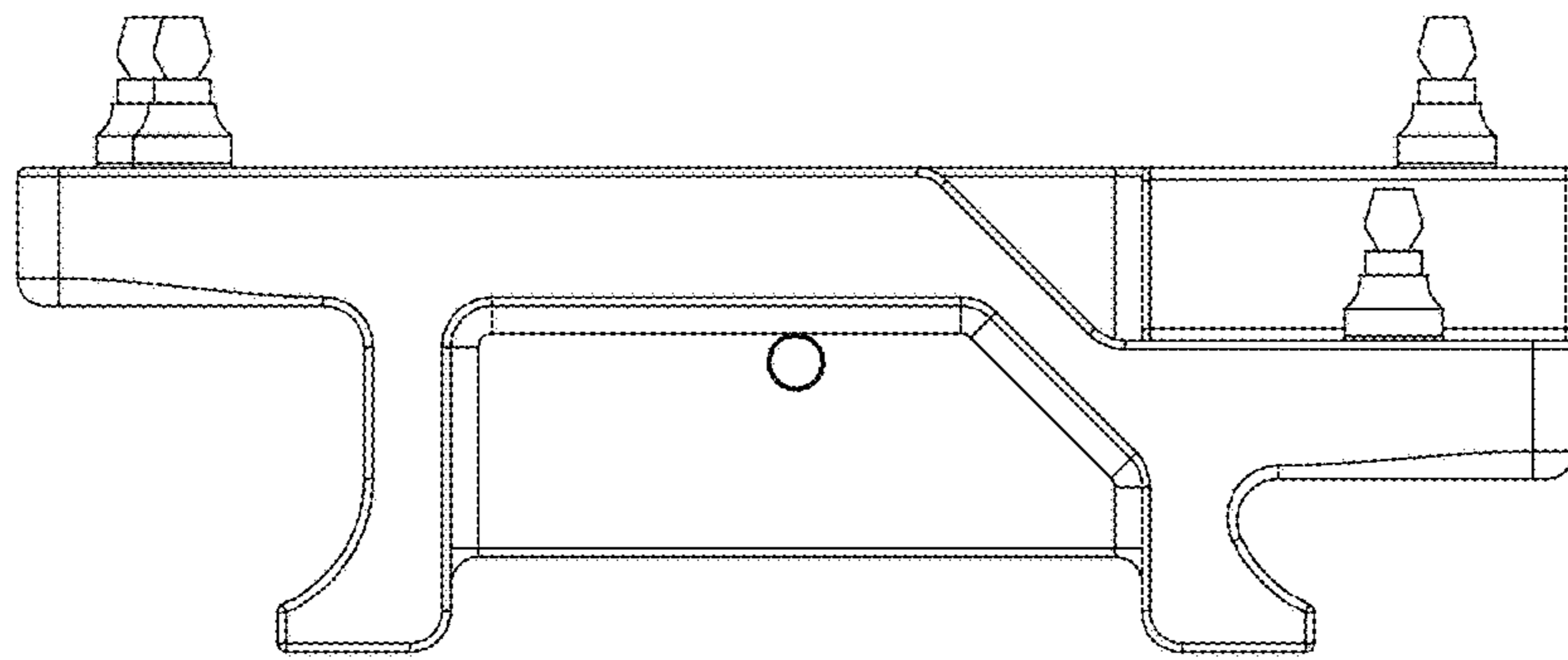


FIG.6

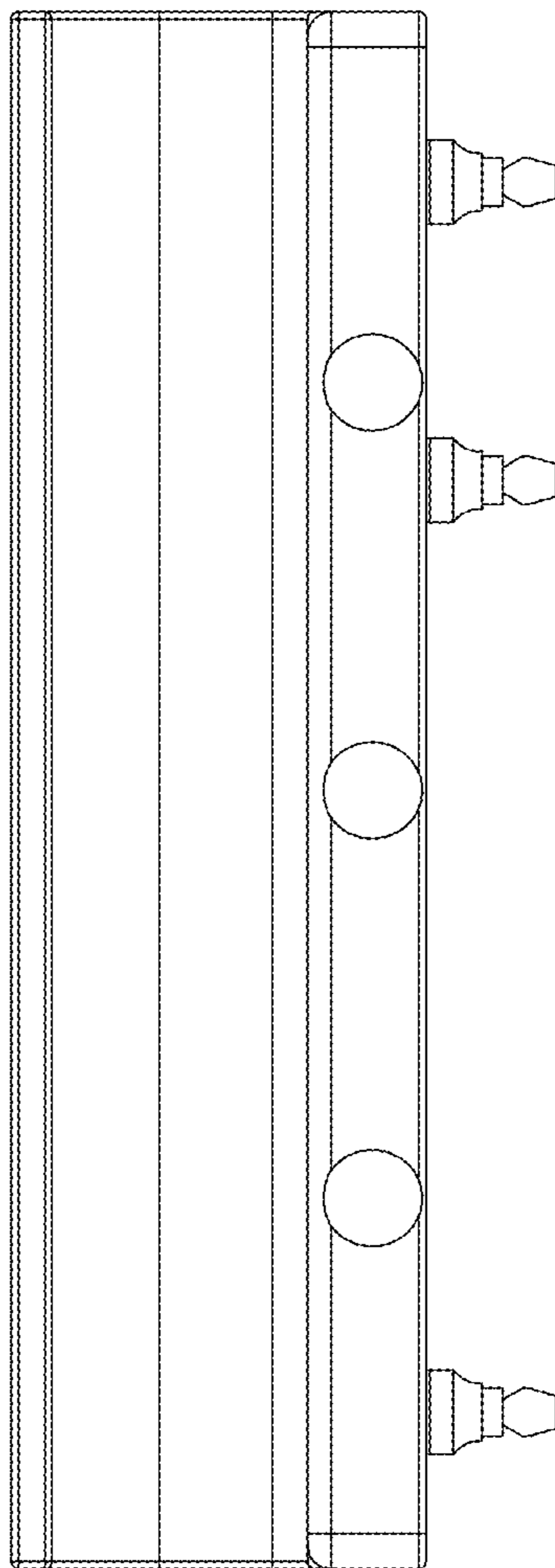


FIG.7

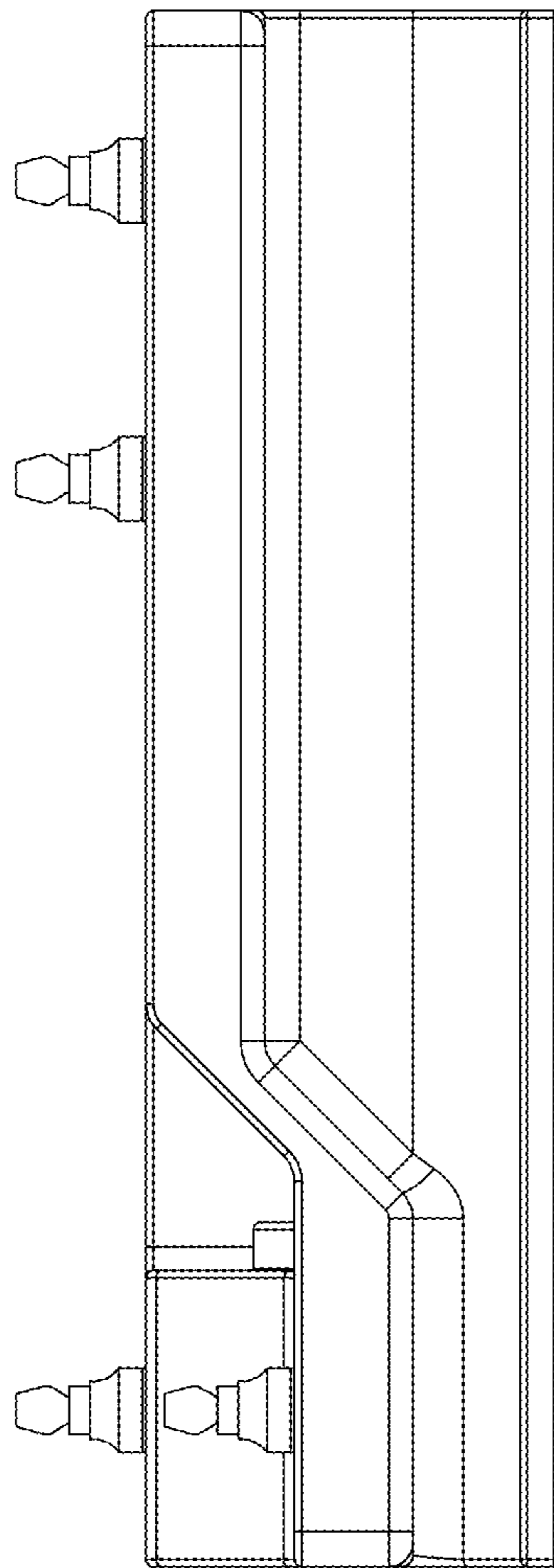


FIG.8

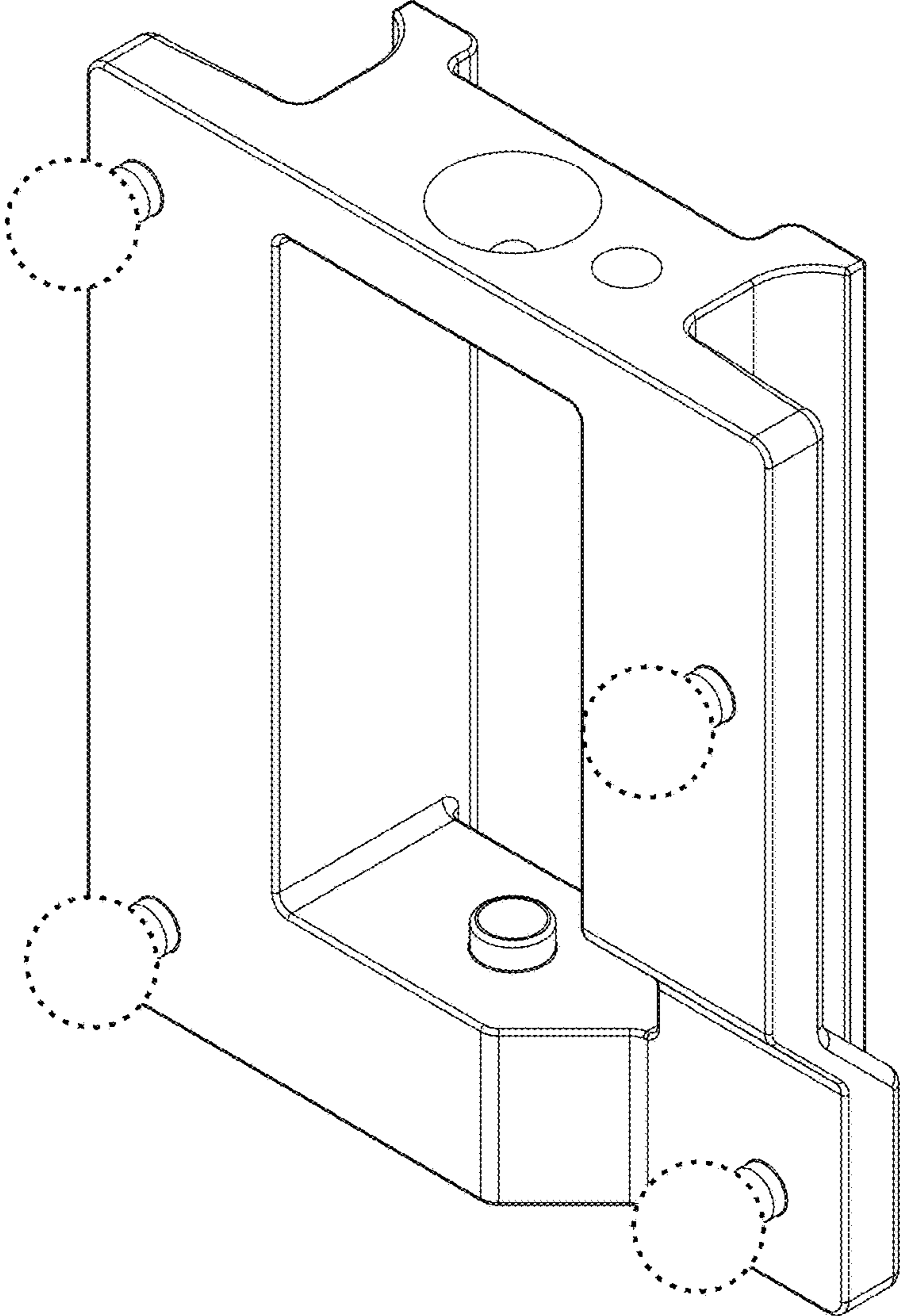


FIG.9