



US00D794784S

(12) **United States Design Patent** (10) **Patent No.:** **US D794,784 S**  
**Bradley et al.** (45) **Date of Patent:** **\*\* Aug. 15, 2017**

- (54) **SKIN CARE DEVICE**
- (71) Applicant: **ARBONNE INTERNATIONAL, L.L.C.**, Irvine, CA (US)
- (72) Inventors: **Christopher Michael Bradley**, Orinda, CA (US); **Allan Scott Crarer**, Santa Cruz, CA (US); **Jeffrey Alan Tilley**, La Honda, CA (US); **Colette Courtion**, Seattle, WA (US); **Robert E. Grove**, Pleasanton, CA (US)
- (73) Assignee: **Arbonne International, LLC**, Irvine, CA (US)
- (\*\*) Term: **15 Years**
- (21) Appl. No.: **29/534,094**
- (22) Filed: **Jul. 24, 2015**
- (51) **LOC (10) Cl.** ..... **24-02**
- (52) **U.S. Cl.**  
USPC ..... **D24/133**
- (58) **Field of Classification Search**  
USPC ..... D24/112–118, 133, 134, 135, 136, 146, D24/147, 155, 156, 189; 606/48, 131, 606/132, 133, 134, 289; D28/58, 59, 62  
See application file for complete search history.

D696,770 S *	12/2013	Schneider	.....	D24/113
D724,203 S *	3/2015	McLoughlin	.....	D24/113
D732,736 S *	6/2015	Hefetz	.....	D28/10
D734,479 S *	7/2015	Youngquist	.....	D24/158
D747,800 S *	1/2016	Dunleavy	.....	D24/133
D759,256 S *	6/2016	Chen	.....	D24/200
D760,912 S *	7/2016	Sedic	.....	D24/209

**OTHER PUBLICATIONS**

Bradley et al., U.S. Appl. No. 62/280,428, Application as filed, Jan. 19, 2016, 23 pages.  
Bradley et al., International Patent Application No. PCT/US2017/014145, Application as-filed, Jan. 19, 2017, 50 pages.

\* cited by examiner

*Primary Examiner* — Garth Rademaker  
*Assistant Examiner* — Samantha Q Lawrence  
(74) *Attorney, Agent, or Firm* — Morgan, Lewis & Bockius LLP

(57) **CLAIM**

The ornamental design for a skin care device, as shown and described.

**DESCRIPTION**

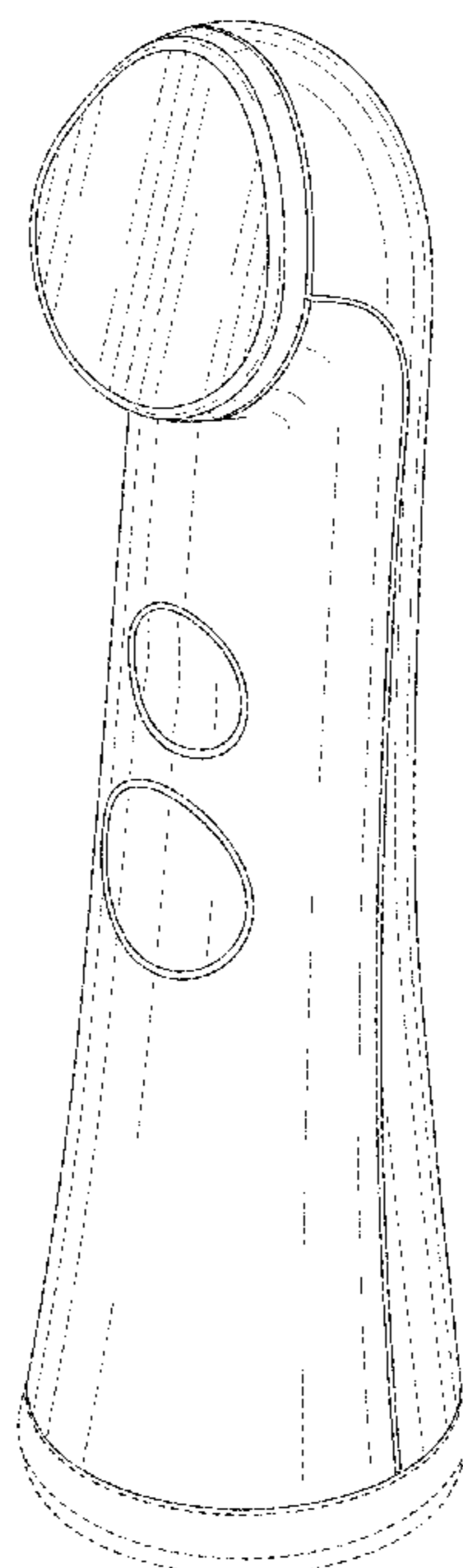
FIG. 1 is a front perspective view of an embodiment of a skin care device;  
FIG. 2 is a front view of the embodiment of FIG. 1;  
FIG. 3 is a rear view of the embodiment of FIG. 1;  
FIG. 4 is a left side view of the embodiment of FIG. 1;  
FIG. 5 is a right side view of the embodiment of FIG. 1;  
FIG. 6 is a top view of the embodiment of FIG. 1; and,  
FIG. 7 is a bottom view of the embodiment of FIG. 1.  
The broken lines shown in FIGS. 1-7 illustrate portions of the skin care device that form no part of the claimed design.

**1 Claim, 4 Drawing Sheets**

(56) **References Cited**

U.S. PATENT DOCUMENTS

D479,324 S *	9/2003	Greaney	.....	D24/111
D538,430 S *	3/2007	Ohta	.....	D24/146
D604,855 S *	11/2009	Shearlaw	.....	D24/133
D612,510 S *	3/2010	Byle	.....	D24/210
D652,919 S *	1/2012	Sherwood	.....	D24/133
D659,843 S *	5/2012	Wang	.....	D24/200



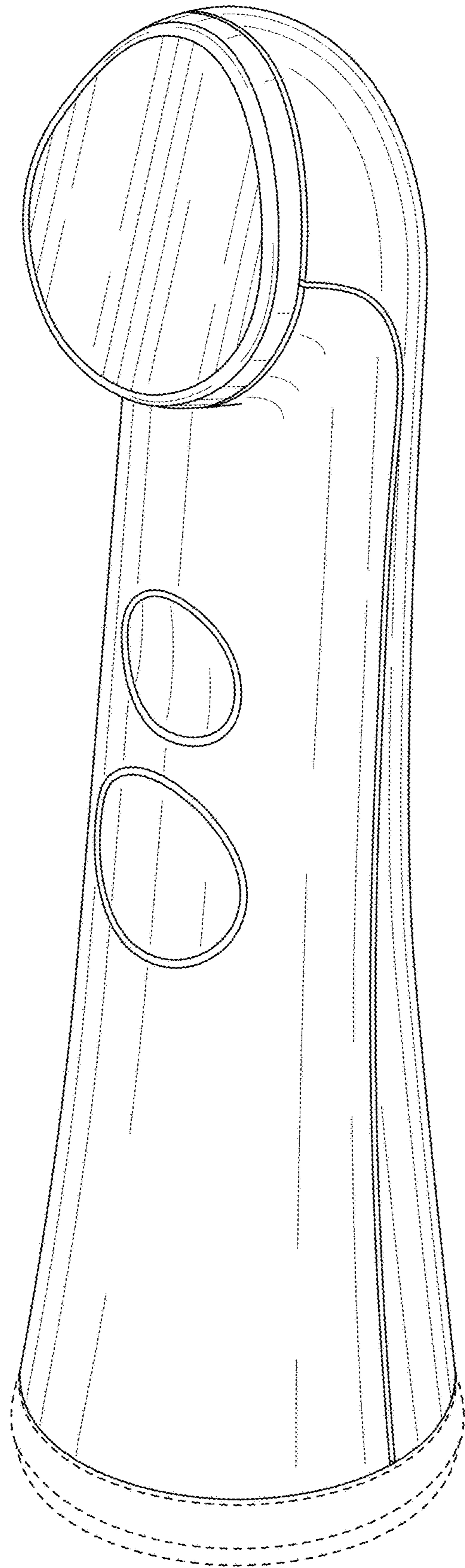


FIG. 1

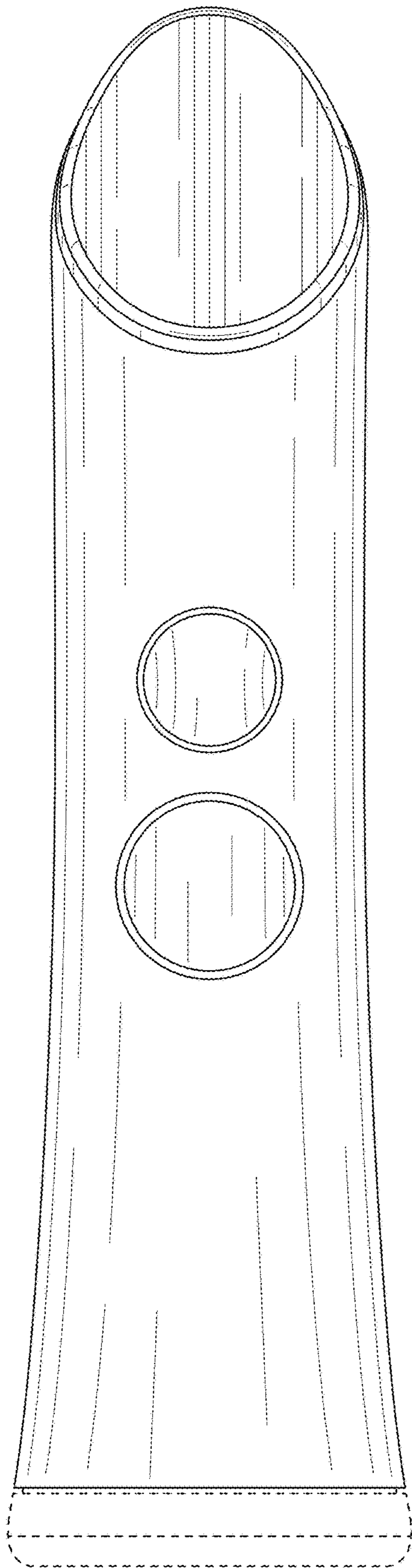


FIG. 2

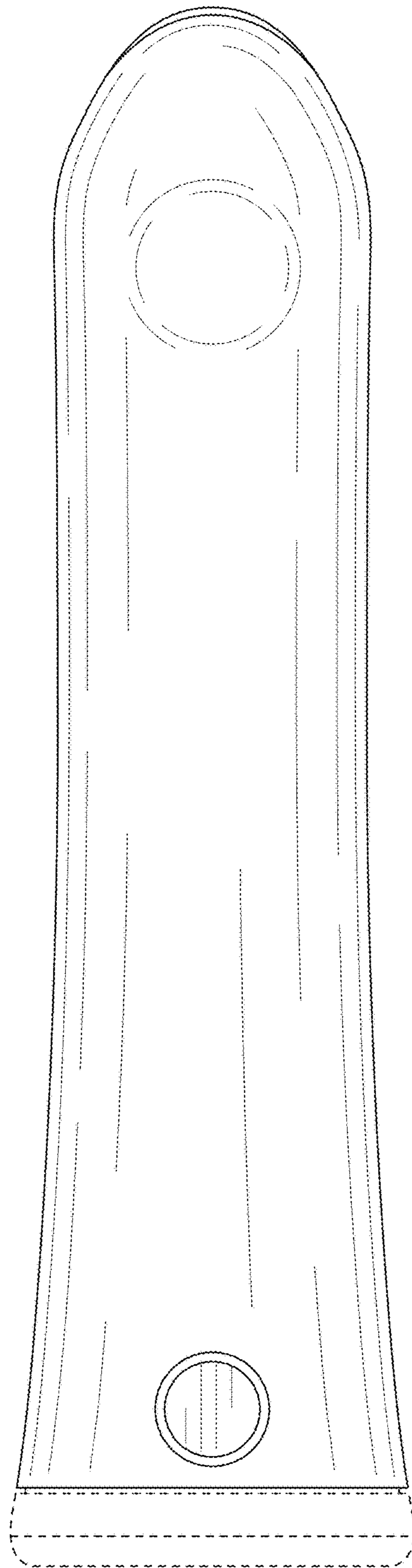


FIG. 3



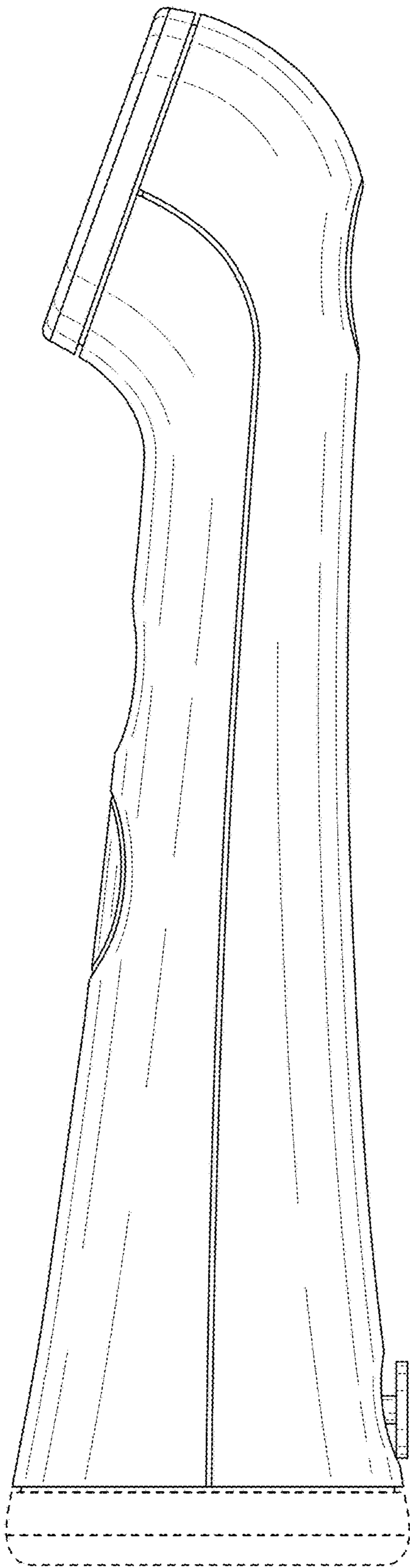


FIG. 4

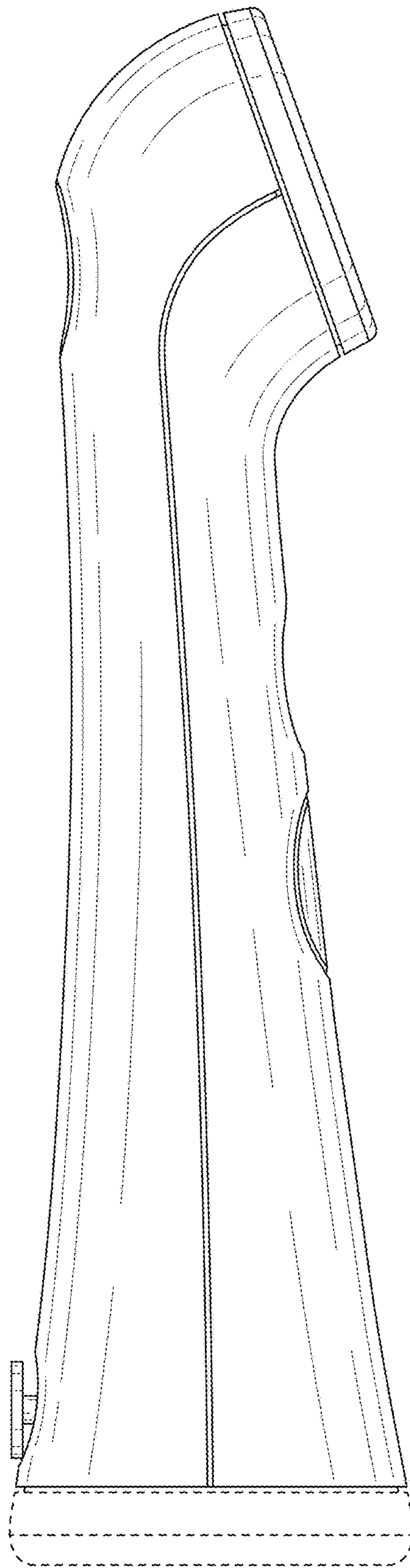


FIG. 5

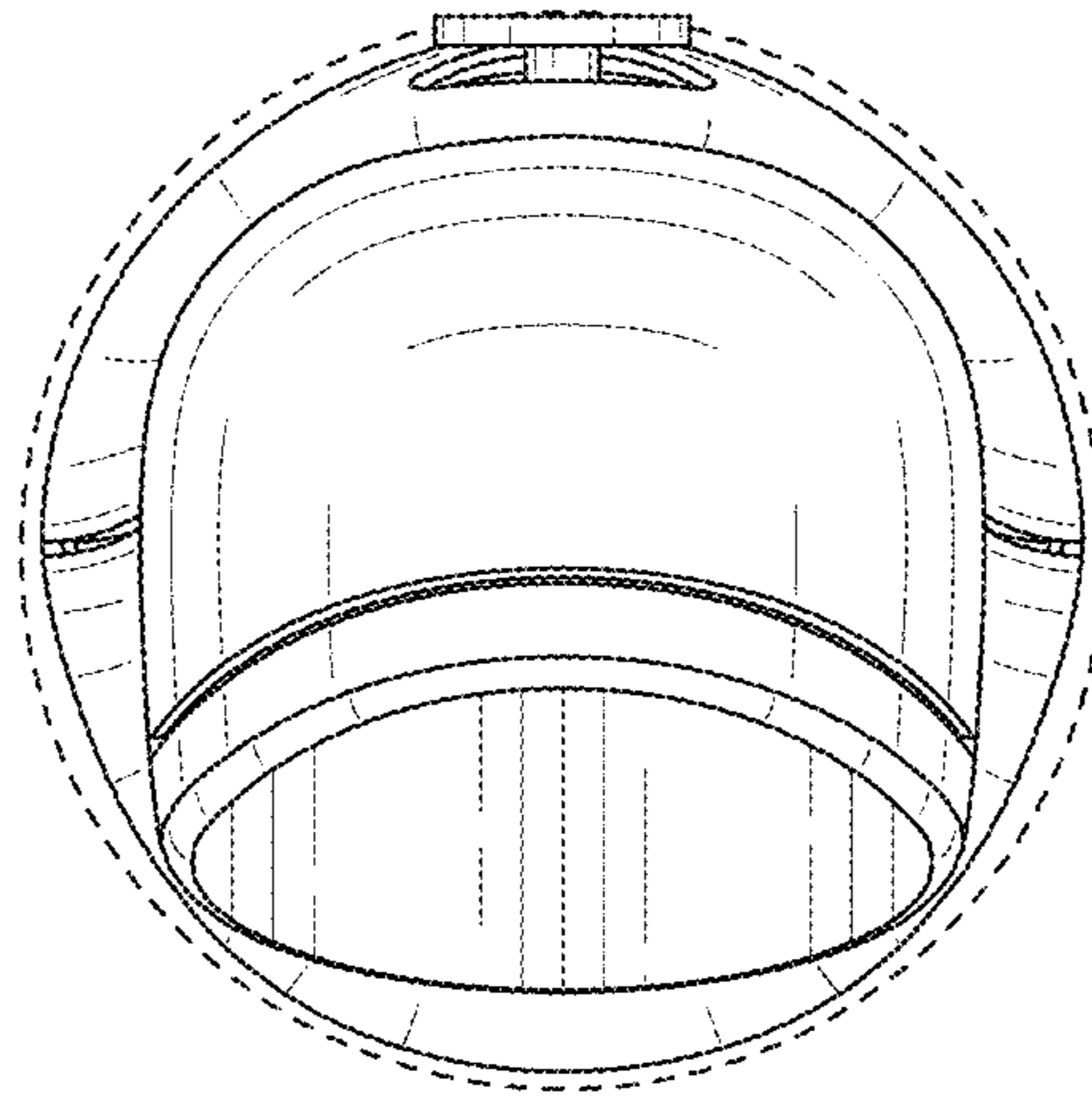


FIG. 6

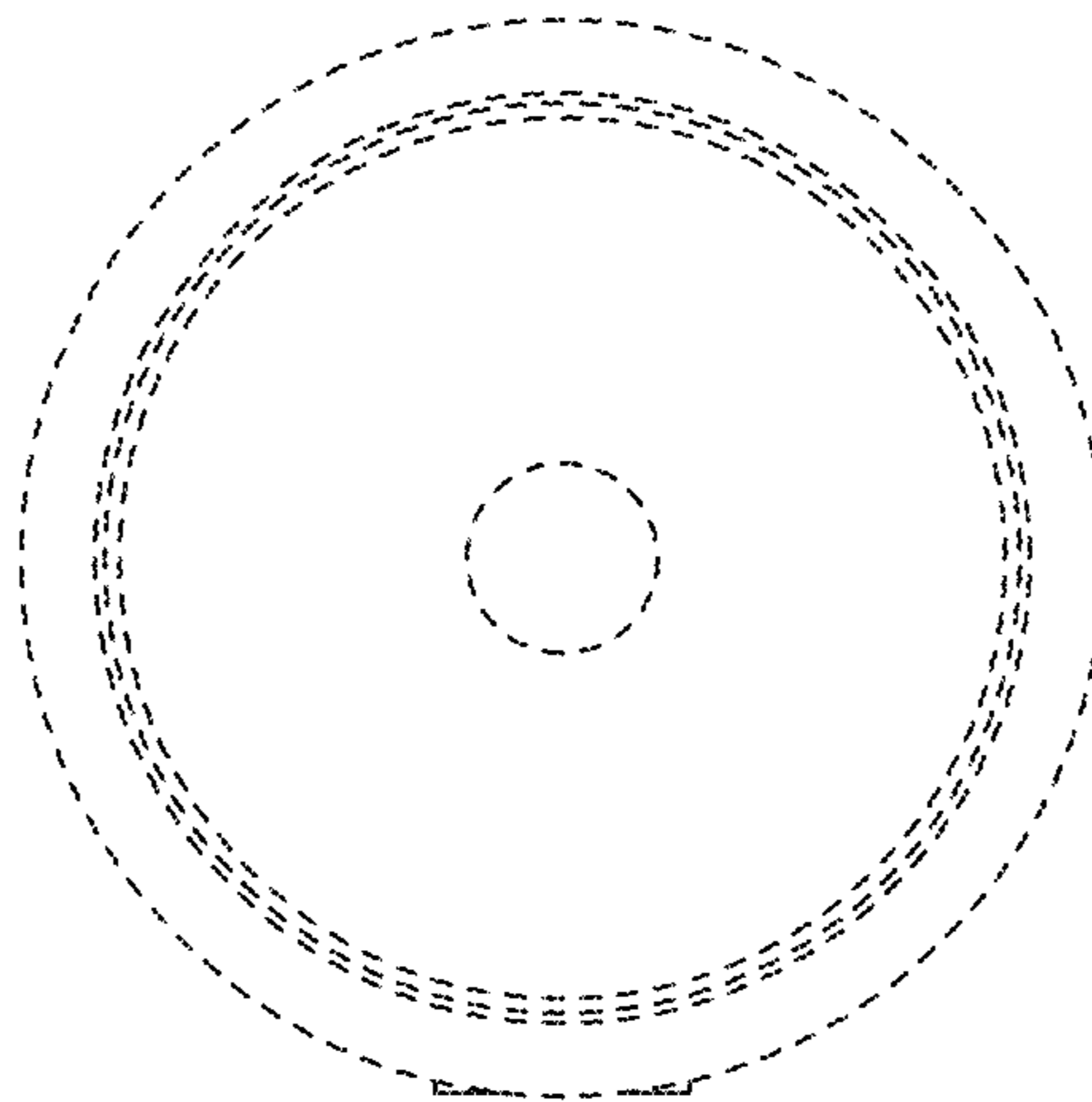


FIG. 7