



US00D794783S

(12) **United States Design Patent** (10) **Patent No.:** **US D794,783 S**
Waimberk et al. (45) **Date of Patent:** **** Aug. 15, 2017**

(54) **SHARPS CONTAINER LID**
(71) Applicant: **Medline Industries, Inc.**, Mundelein, IL (US)
(72) Inventors: **Monica Waimberk**, Chicago, IL (US); **James Burgess**, Mundelein, IL (US); **Scott Bedoe**, McHenry, IL (US)
(73) Assignee: **Medline Industries, Inc.**, Northfield, IL (US)

D447,233 S * 8/2001 Bickel D24/131
6,435,587 B1 8/2002 Flowerday et al.
D474,840 S * 5/2003 Crawford D24/131
D482,448 S * 11/2003 Crawford D24/131
D485,906 S * 1/2004 Danssaert D24/131
D502,993 S * 3/2005 McArthur D24/131
D518,173 S * 3/2006 Coates D24/131
7,584,843 B2 9/2009 Kutsch et al.
8,087,533 B2 1/2012 Sellers
D694,882 S * 12/2013 Stark D24/131
D699,843 S * 2/2014 Stark D24/131
8,851,282 B2 10/2014 Brunner

(Continued)

(**) Term: **14 Years**

OTHER PUBLICATIONS

(21) Appl. No.: **29/497,599**

“Restriction Requirement”, U.S. Appl. No. 29/497,598, filed Jul. 25, 2014; dated Sep. 14, 2016.

(22) Filed: **Jul. 25, 2014**

(Continued)

(51) **LOC (10) Cl.** **24-04**

(52) **U.S. Cl.**
USPC **D24/131**

(58) **Field of Classification Search**
USPC D24/131, 121, 123, 224; 604/317–325;
206/365, 367
CPC A61M 1/0058; Y10T 137/3109
See application file for complete search history.

Primary Examiner — David Muller
(74) *Attorney, Agent, or Firm* — Philip H. Burrus, IV

(57) **CLAIM**

The ornamental design for a sharps container lid, as shown and described.

DESCRIPTION

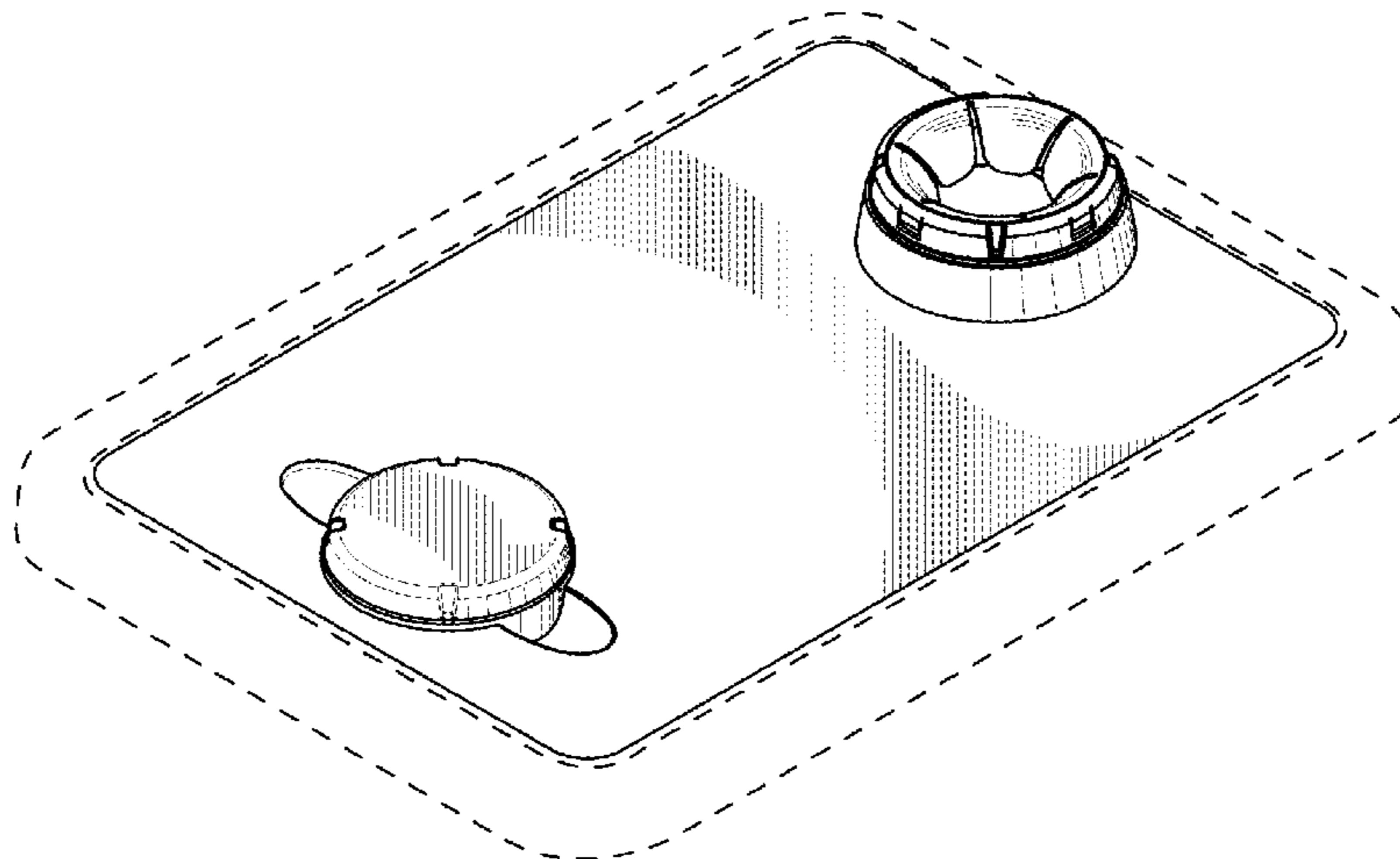
(56) **References Cited**

U.S. PATENT DOCUMENTS

2,223,023 A 11/1940 Weileman
D282,286 S * 1/1986 Gianni D24/131
D292,037 S * 9/1987 Hanifl D24/131
4,757,913 A 7/1988 Yerman
4,762,242 A 8/1988 Harris et al.
4,842,138 A 6/1989 Snadel et al.
D302,291 S * 7/1989 Heubel D24/131
5,024,326 A 6/1991 Sandel et al.
5,035,703 A 7/1991 Baskas
5,107,990 A 4/1992 Wicherski et al.
D330,765 S * 11/1992 Laws D24/131
5,165,564 A 11/1992 Prout et al.
5,415,315 A 5/1995 Ramirez
D436,171 S * 1/2001 Gaba D24/131

FIG. 1 is a perspective view of a sharps container lid showing our new design;
FIG. 2 is a top plan view thereof;
FIG. 3 is a bottom plan view thereof;
FIG. 4 is a front elevation view thereof;
FIG. 5 is a rear elevation view thereof;
FIG. 6 is a left side elevation view thereof;
FIG. 7 is a right side elevation view thereof; and,
FIG. 8 is another perspective view thereof.
The broken line showing of parts of the drawings is included for the purpose of illustrating use and environment and forms no part of the claimed design.

1 Claim, 6 Drawing Sheets



(56)

References Cited

U.S. PATENT DOCUMENTS

2006/0037484 A1 2/2006 Dixon et al.
2011/0259152 A1 10/2011 Kovacs

OTHER PUBLICATIONS

“NonFinal OA”, U.S. Appl. No. 29/497,598, filed Jul. 25, 2014; dated Feb. 14, 2017.

“Medline Catalog”, 8 Gallon Sharpstar by MarketLab; Medline Catalog; <http://www.medline.com/catalog/catalog.jsp>; Unknown Publication date but believed to be prior to present application filing date.

“Medline Catalog”, Biomax Large Containers w/Sealing Gasket by Covidien; Medline Catalog; <http://www.medline.com/catalog/catalog.jsp>; Unknown Publication date but believed to be prior to present application filing date.

“Medline Catalog”, Chemotherapy Sharps Collectors by Becton Dickinson; Medline Catalog; <http://www.medline.com/catalog/catalog.jsp>; Unknown Publication date but believed to be prior to present application filing date.

“Medline Catalog”, Hinged Top Waste Sharps Containers by Covidien; Medline Catalog; <http://www.medline.com/catalog/catalog.jsp>; Unknown Publication date but believed to be prior to present application filing date.

“Medline Catalog”, Large Hands-Free Sharps Cart by Marketlab; Medline Catalog; <http://www.medline.com/catalog/catalog.jsp>; Unknown Publication date but believed to be prior to present application filing date.

“Medline Catalog”, Large PG-II Containers; Medline Catalog; <http://www.medline.com/catalog/catalog.jsp>; Unknown Publication date but believed to be prior to present application filing date.

“Medline Catalog”, Large Volume Sharps Containers by Bemis Inc; Medline Catalog; <http://www.medline.com/catalog/catalog.jsp>; Unknown Publication date but believed to be prior to present application filing date.

“Medline Catalog”, Large Volume Sharps Containers by Bemis Mfg; Medline Catalog; <http://www.medline.com/catalog/catalog.jsp>; Unknown Publication date but believed to be prior to present application filing date.

“Medline Catalog”, Mobile Sharps Containment by Marketlab; Medline Catalog; <http://www.medline.com/catalog/catalog.jsp>; Unknown Publication date but believed to be prior to present application filing date.

“Medline Catalog”, Multipurpose Sharps Containers; Medline Catalog; <http://www.medline.com/catalog/catalog.jsp>; Unknown Publication date but believed to be prior to present application filing date.

“Medline Catalog”, PG2 Slide Lid Sharps Containers by Medtronic; Medline Catalog; <http://www.medline.com/catalog/catalog.jsp>; Unknown Publication date but believed to be prior to present application filing date.

“Medline Catalog”, Renewables Sharps Disposal Containers by Medtronic; Medline Catalog; <http://www.medline.com/catalog/catalog.jsp>; Unknown Publication date but believed to be prior to present application filing date.

“Medline Catalog”, Sharps Container/Accessories by Becton Dickinson; Medline Catalog; <http://www.medline.com/catalog/catalog.jsp>; Unknown Publication date but believed to be prior to present application filing date.

“Medline Catalog”, Sharps Containers by Medegen Medical; Medline Catalog; <http://www.medline.com/catalog/catalog.jsp>; Unknown Publication date but believed to be prior to present application filing date.

“Medline Catalog”, Sharps In-Room Mailbox Style Lid Containers by Medtronic; Medline Catalog; <http://www.medline.com/catalog/catalog.jsp>; Unknown Publication date but believed to be prior to present application filing date.

“Medline Catalog”, SharpSafety Biohazard Waste Containers by Medtronic; Medline Catalog; <http://www.medline.com/catalog/catalog.jsp>; Unknown Publication date but believed to be prior to present application filing date.

“Medline Catalog”, SharpSafety Gasketed Hinged Lid Containers by Medtronic; Medline Catalog; <http://www.medline.com/catalog/catalog.jsp>; Unknown Publication date but believed to be prior to present application filing date.

“Medline Catalog”, SharpSafety Hinged Lid Sharps Containers by Medtronic; Medline Catalog; <http://www.medline.com/catalog/catalog.jsp>; Unknown Publication date but believed to be prior to present application filing date.

“Medline Catalog”, SharpSafety RCRA Hazardous Waste (sic) Containers by Medtronic; Medline Catalog; <http://www.medline.com/catalog/catalog.jsp>; Unknown Publication date but believed to be prior to present application filing date.

“Medline Catalog”, SharpSafety Transportable Sharps Containers by Covidien; Medline Catalog; <http://www.medline.com/catalog/catalog.jsp>; Unknown Publication date but believed to be prior to present application filing date.

“Medline Catalog”, Slide Lid Sharps-A-Gator Containers by Medtronic; Medline Catalog; <http://www.medline.com/catalog/catalog.jsp>; Unknown Publication date but believed to be prior to present application filing date.

“Medline Catalog”, Slide Lid SharpSafety Sharps Containers by Medtronic; Medline Catalog; <http://www.medline.com/catalog/catalog.jsp>; Unknown Publication date but believed to be prior to present application filing date.

Eloshway, Niki Marina “NonFinal OA”, U.S. Appl. No. 14/341,199, filed Jul. 25, 2014; dated Apr. 6, 2017.

* cited by examiner

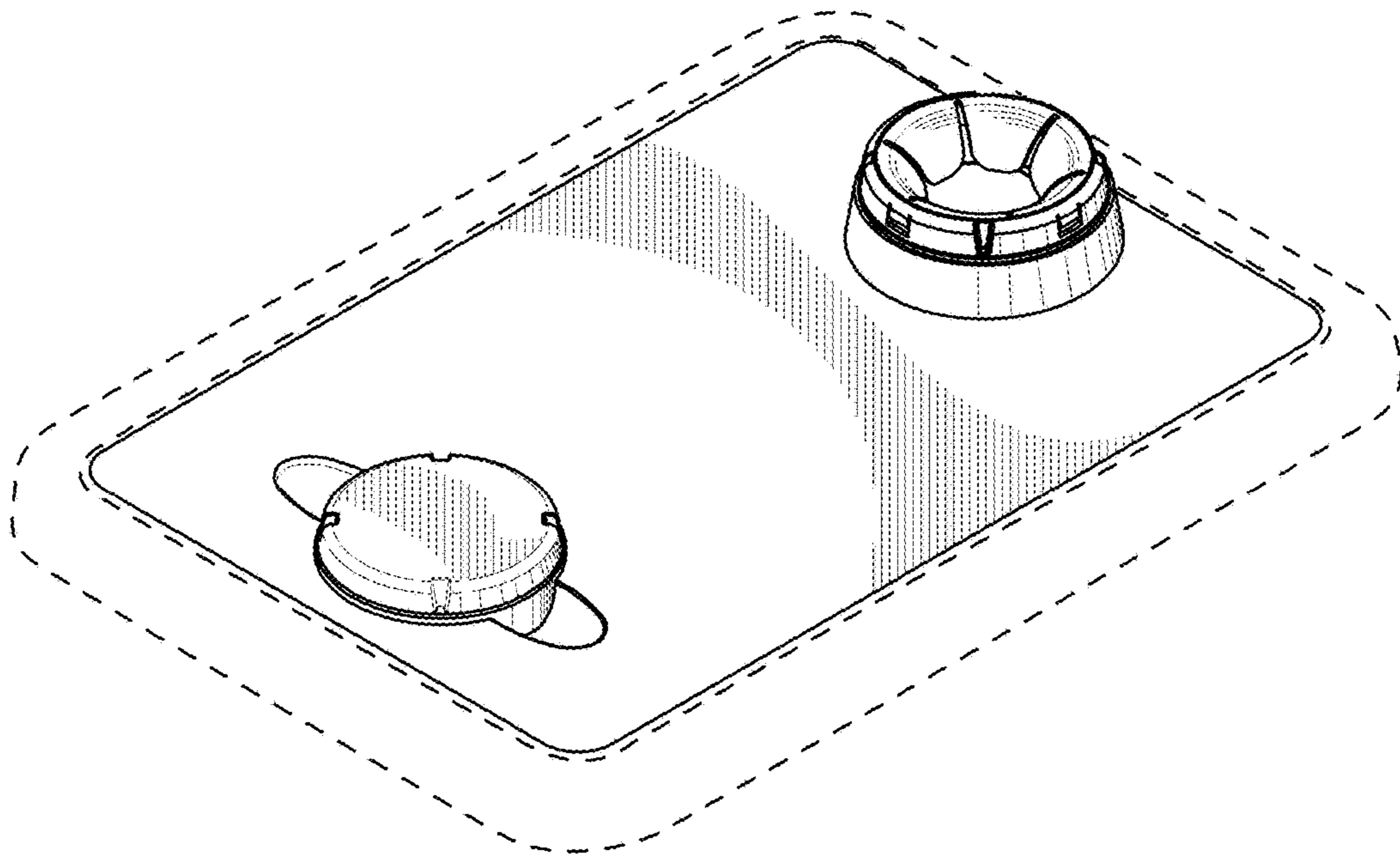


FIG. 1

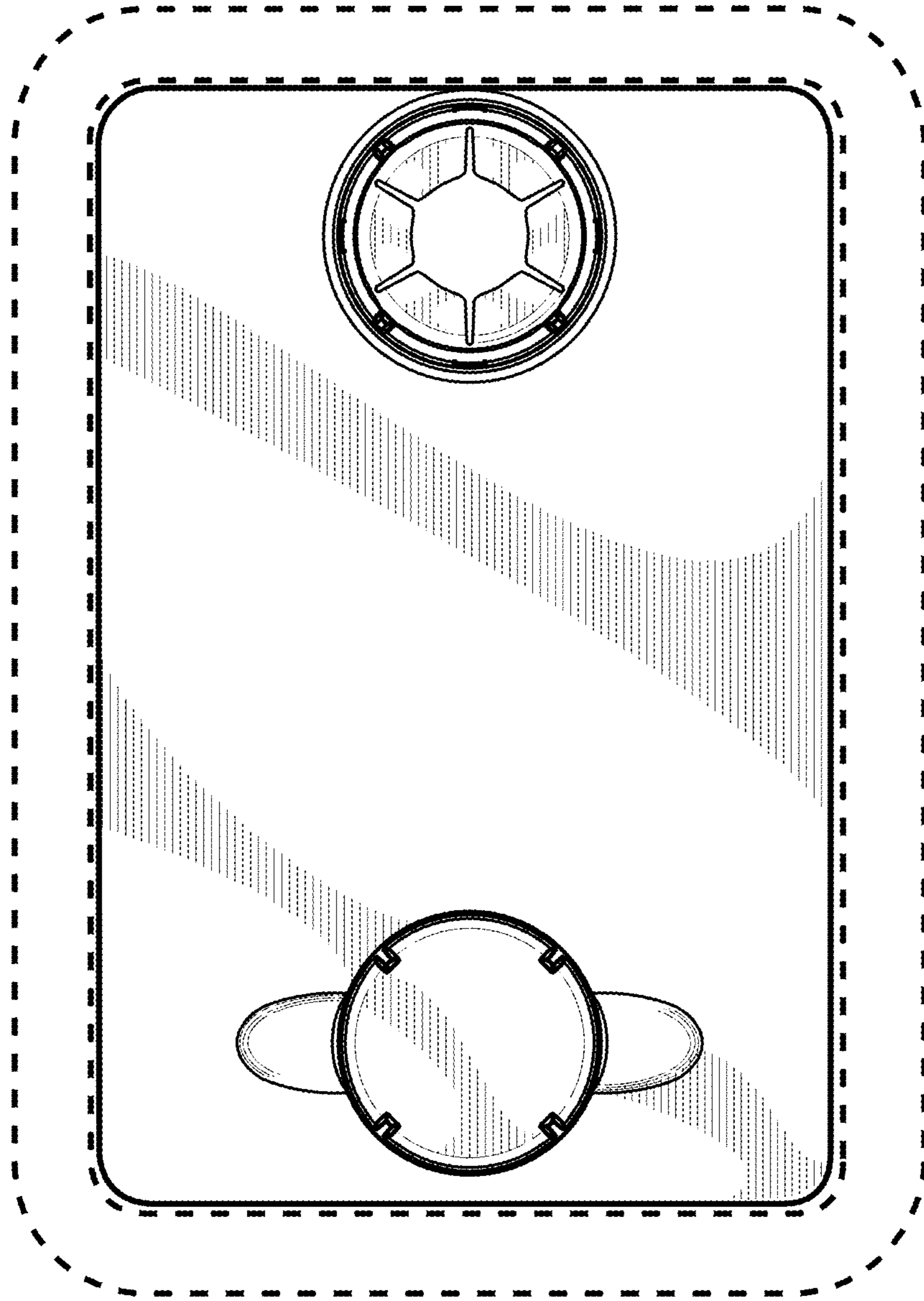


FIG. 2

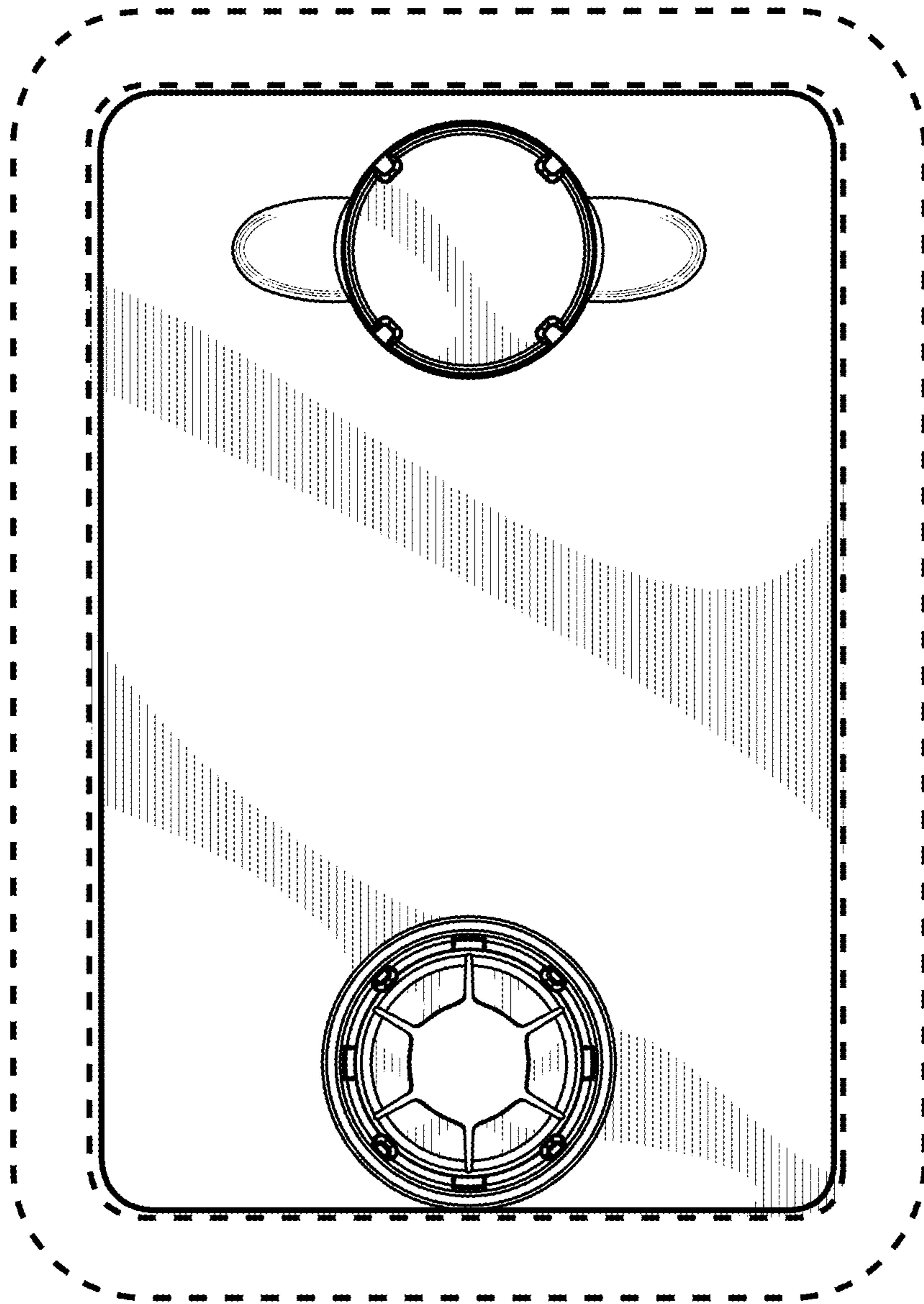


FIG. 3

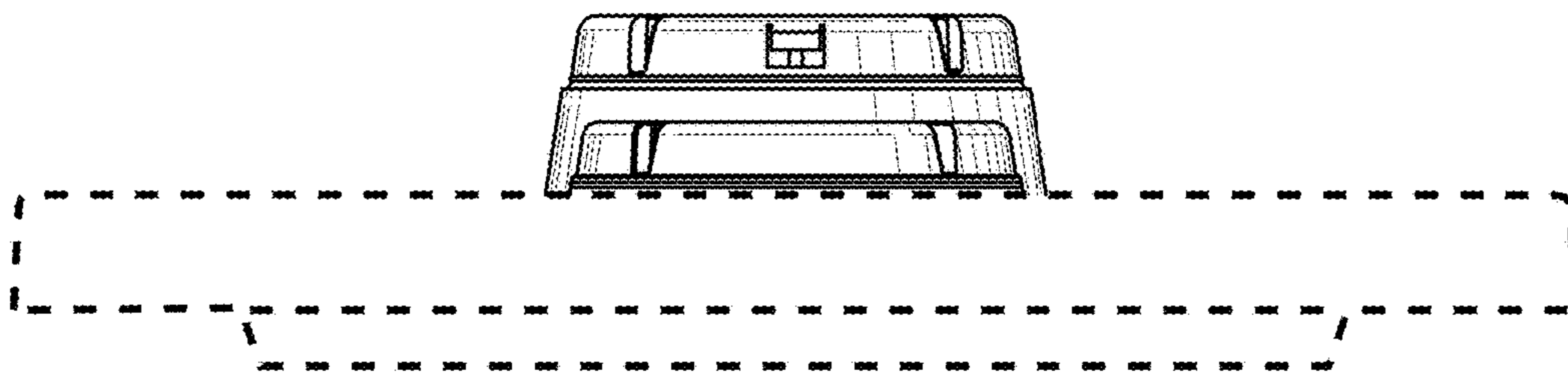


FIG. 4

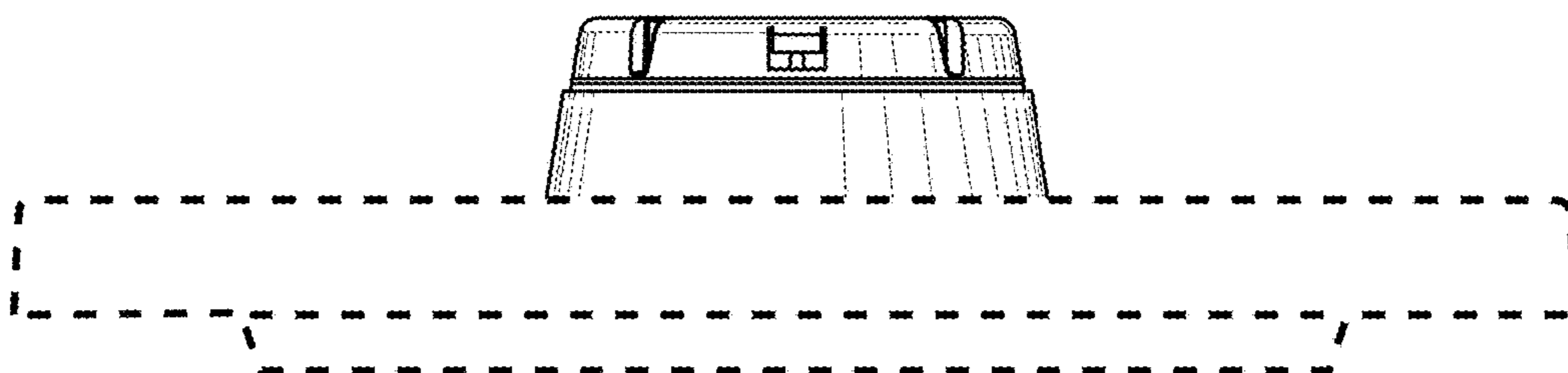


FIG. 5

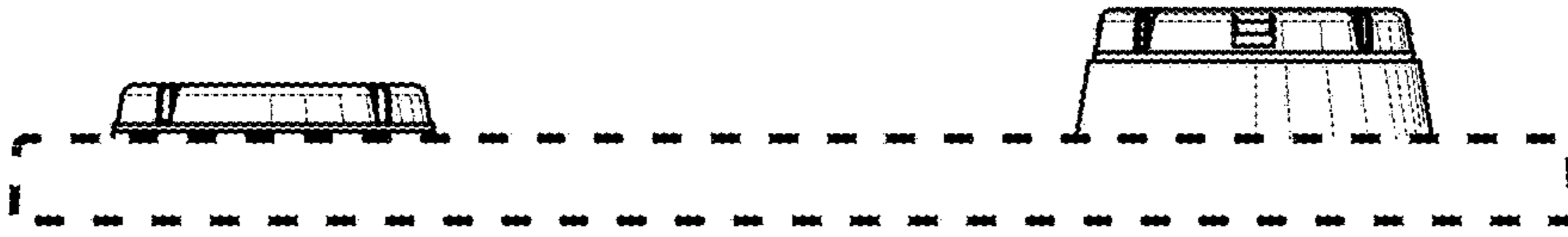


FIG. 6

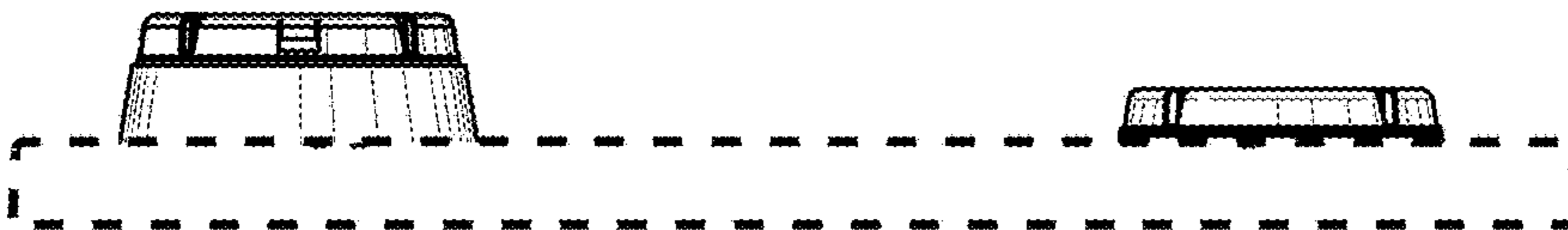


FIG. 7

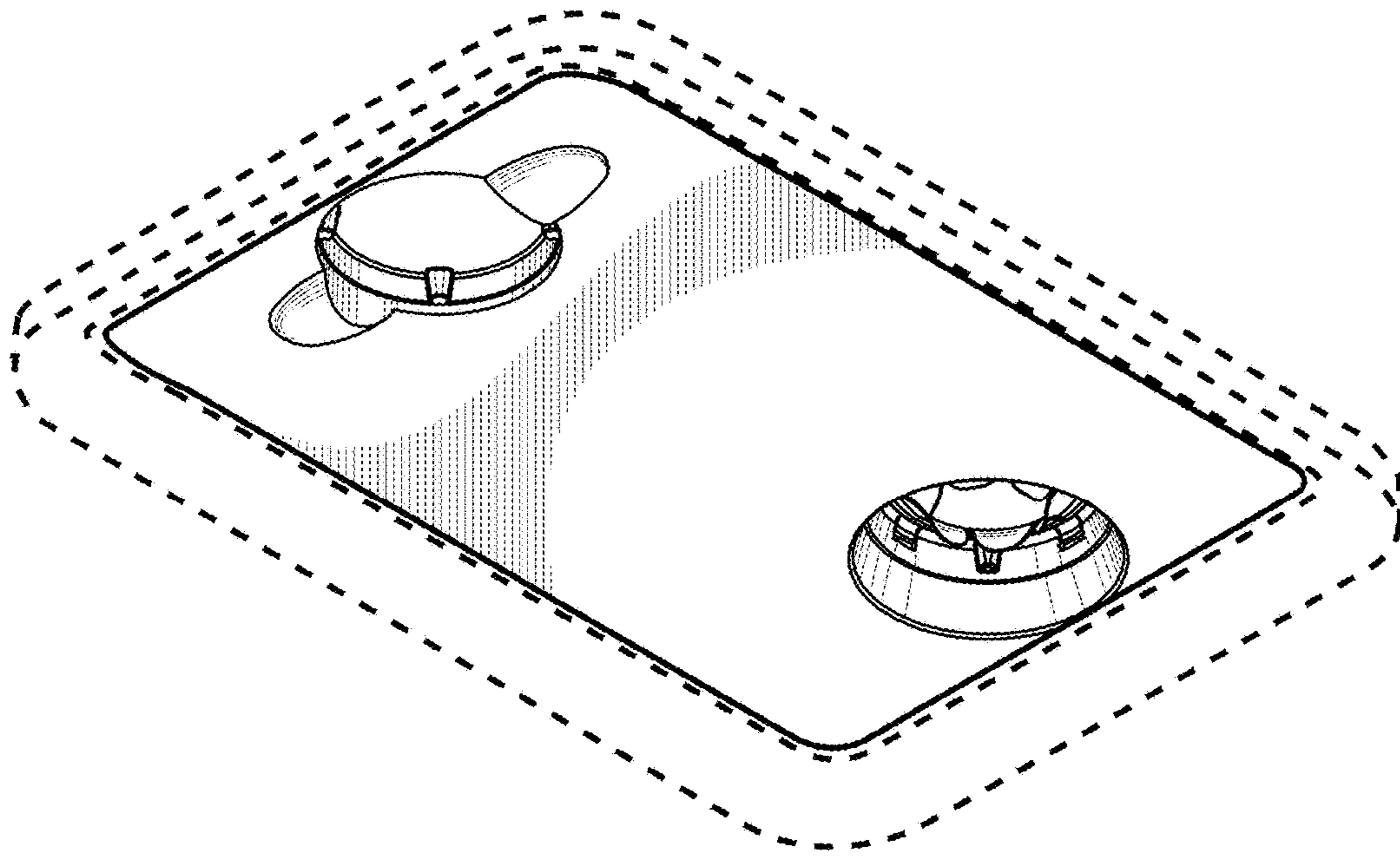


FIG. 8