



US00D794781S

(12) **United States Design Patent**  
**Gilbert et al.**

(10) **Patent No.:** **US D794,781 S**

(45) **Date of Patent:** **\*\* Aug. 15, 2017**

(54) **VALVE COMPONENT FOR A BREASTMILK COLLECTION SYSTEM**

(71) Applicant: **MEDELA HOLDING AG**, Baar (CH)

(72) Inventors: **Deanna Gilbert**, Arlington Heights, IL (US); **Kathryn Mizuchi**, Round Lake Beach, IL (US); **Raymond Holtz**, Chicago, IL (US)

(73) Assignee: **MEDELA HOLDING AG**, Baar (CH)

(\*\*) Term: **14 Years**

(21) Appl. No.: **29/523,694**

(22) Filed: **Apr. 13, 2015**

(51) **LOC (10) Cl.** ..... **24-02**

(52) **U.S. Cl.**  
USPC ..... **D24/129**

(58) **Field of Classification Search**  
USPC ..... D24/127-131, 112-114, 133, 186;  
606/181, 185; 604/264, 523-528, 272,  
604/187, 158, 164.01-164.11, 181, 184,  
604/227; 600/101, 139, 143;  
128/200.24, 207.14, 207.15  
CPC .. A61M 25/065; A61M 5/42; A61M 25/0612;  
A61M 25/00; A61M 39/00; A61M 27/00;  
A61M 25/0043; A61M 25/0067; A61M  
25/0097; A61F 2/958

See application file for complete search history.

(56) **References Cited**

U.S. PATENT DOCUMENTS

- 4,673,388 A 6/1987 Schlensog et al.
- 5,249,598 A \* 10/1993 Schmidt ..... B60K 15/03519  
137/493.1
- 5,533,708 A \* 7/1996 Atkinson ..... A61M 39/045  
251/149.1
- 5,542,921 A 8/1996 Meyers et al.
- 5,752,938 A \* 5/1998 Flatland ..... A61B 17/3462  
604/167.01

- 6,024,729 A \* 2/2000 Dehdashtian ..... A61M 39/0606  
604/167.04
- 6,196,276 B1 \* 3/2001 De Laforcade ..... B65D 83/425  
141/20
- 6,290,671 B1 9/2001 Niederberger
- 6,371,338 B1 \* 4/2002 Klein ..... B65D 83/48  
222/402.1
- 6,454,745 B1 \* 9/2002 Donnan ..... A61M 5/3134  
604/181
- 6,706,012 B2 3/2004 McKendry et al.
- 7,169,130 B2 \* 1/2007 Exline ..... A61B 17/3462  
604/167.01

(Continued)

FOREIGN PATENT DOCUMENTS

EP 1195170 B1 12/2003

*Primary Examiner* — David Muller

(74) *Attorney, Agent, or Firm* — Marshall, Gerstein & Borun LLP

(57) **CLAIM**

The ornamental design for a valve component for a breastmilk collection system and the like, as shown and described.

**DESCRIPTION**

FIG. 1 is a top perspective view of a valve component for a breastmilk collection system according the present invention;

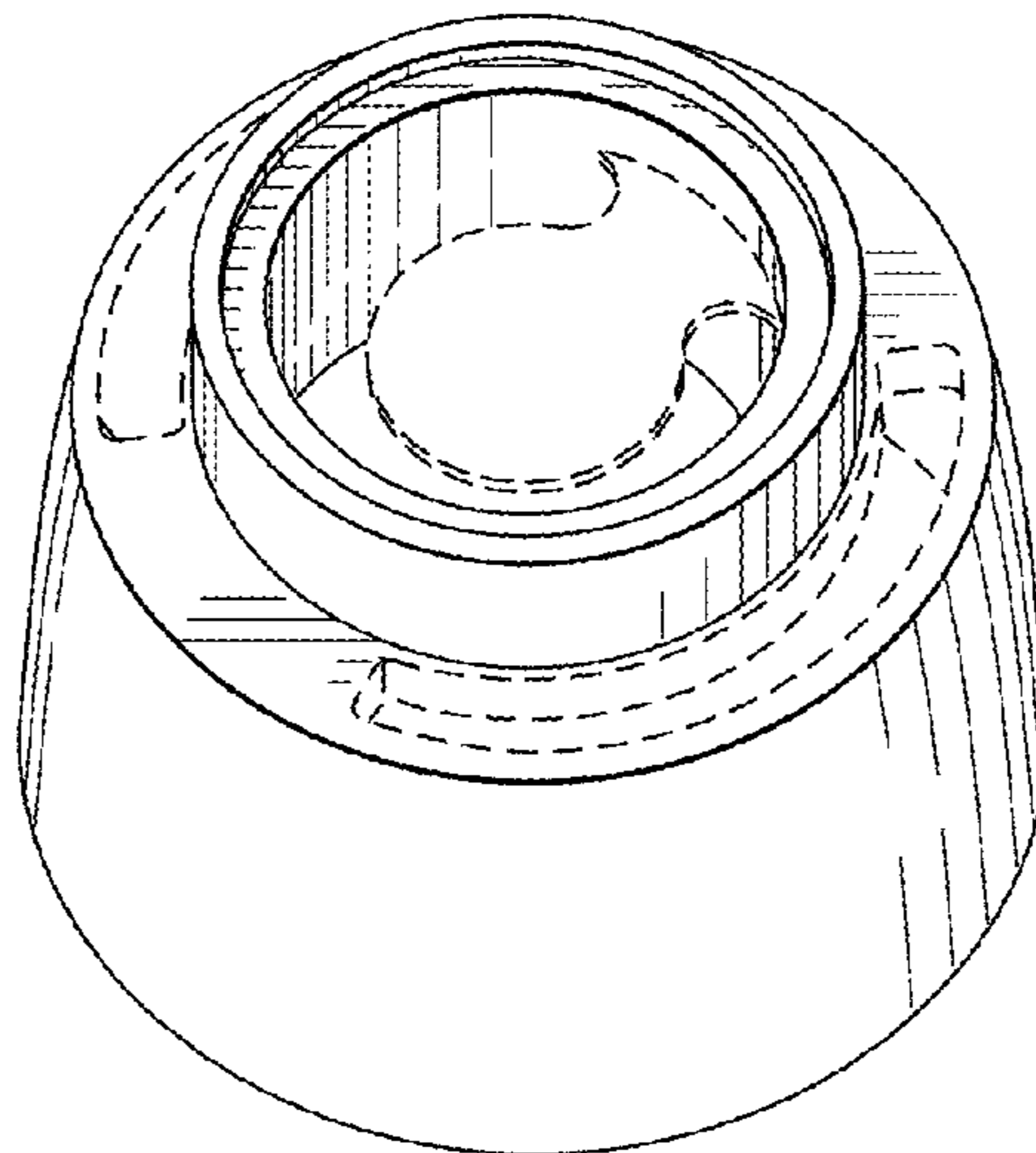
FIG. 2 is a top view of the valve component for a breastmilk collection system illustrated in FIG. 1;

FIG. 3 is a bottom view of the valve component for a breastmilk collection system illustrated in FIG. 1;

FIG. 3A is a cross-sectional view of the valve component for a breastmilk collection system illustrated in FIG. 1, taken along lines 3A-3A of FIG. 3; and,

FIG. 4 is a front view of the valve component for a breastmilk collection system illustrated in FIG. 1, a rear view being identical.

**1 Claim, 1 Drawing Sheet**



(56)

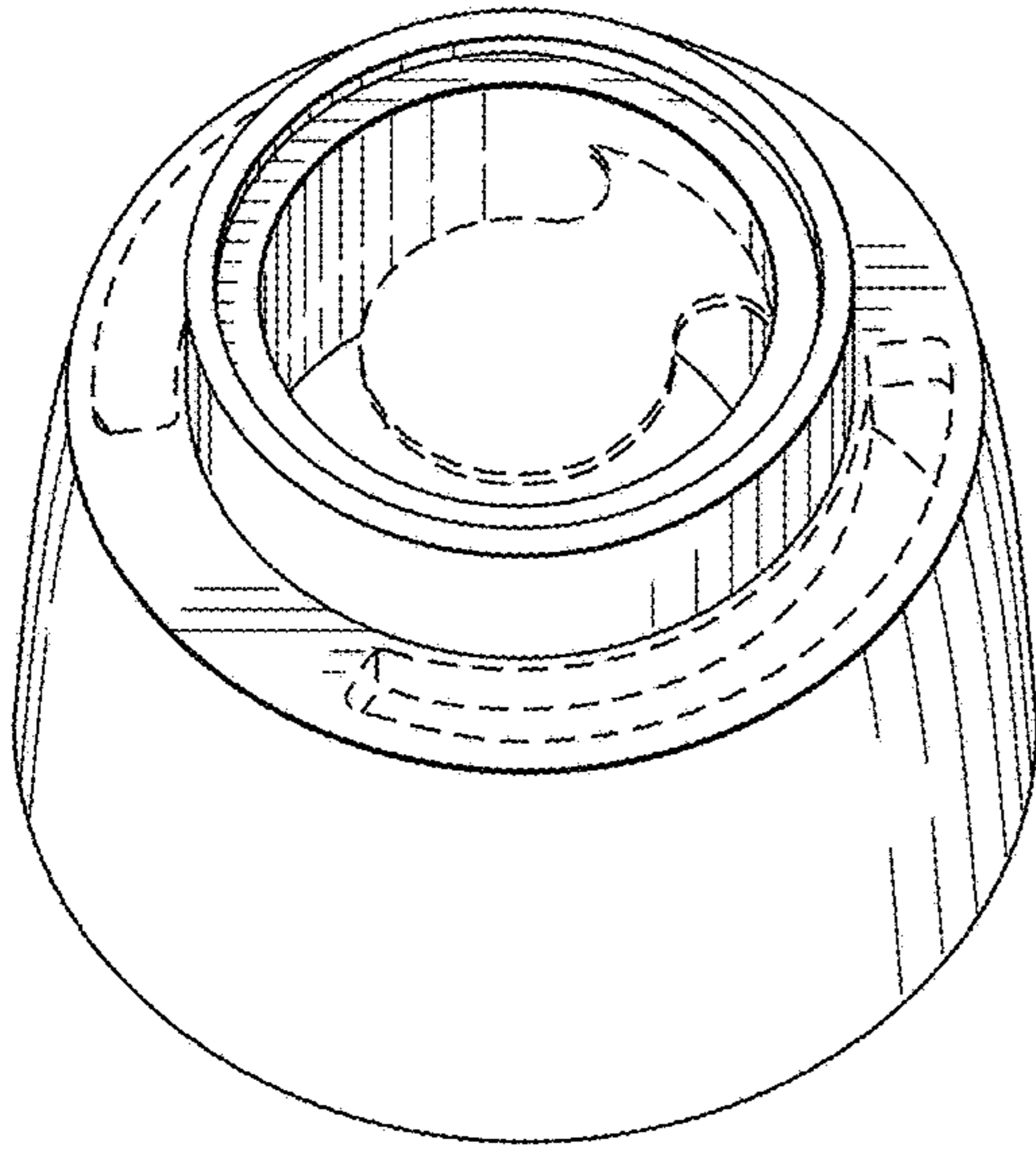
**References Cited**

U.S. PATENT DOCUMENTS

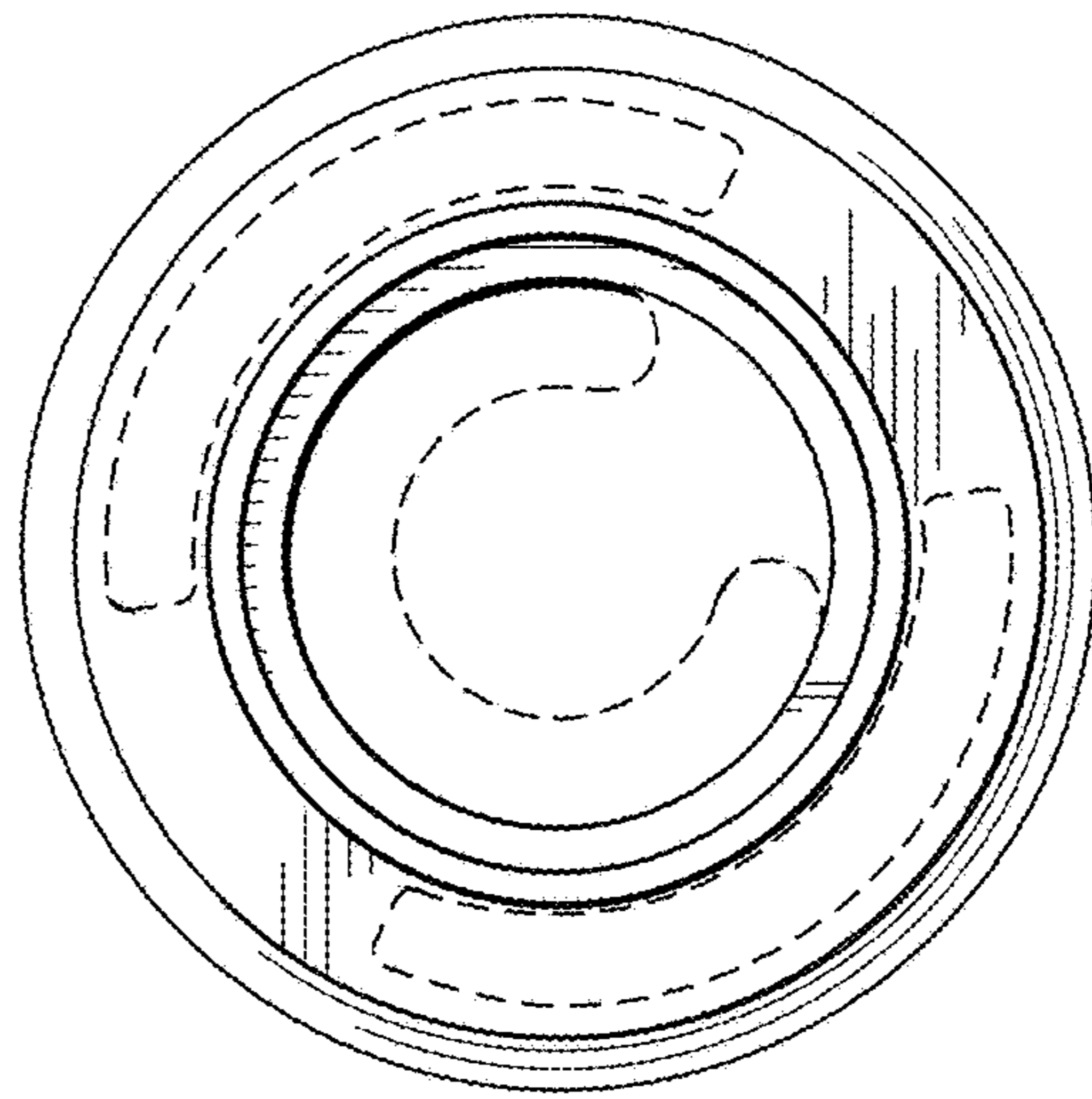
7,780,639 B2 \* 8/2010 Van Lue ..... A61B 17/3462  
604/264  
7,967,797 B2 \* 6/2011 Winsor ..... A61M 39/26  
137/846  
8,591,476 B2 \* 11/2013 Winsor ..... A61M 39/26  
604/167.01  
8,814,849 B1 \* 8/2014 Winsor ..... A61M 39/24  
604/284  
2002/0156419 A1 10/2002 Silver et al.  
2004/0102738 A1 \* 5/2004 Dikeman ..... A61M 39/24  
604/256  
2010/0324477 A1 12/2010 Paterson et al.  
2011/0190695 A1 8/2011 Thilwind et al.  
2013/0119008 A1 5/2013 Pfenniger et al.

\* cited by examiner

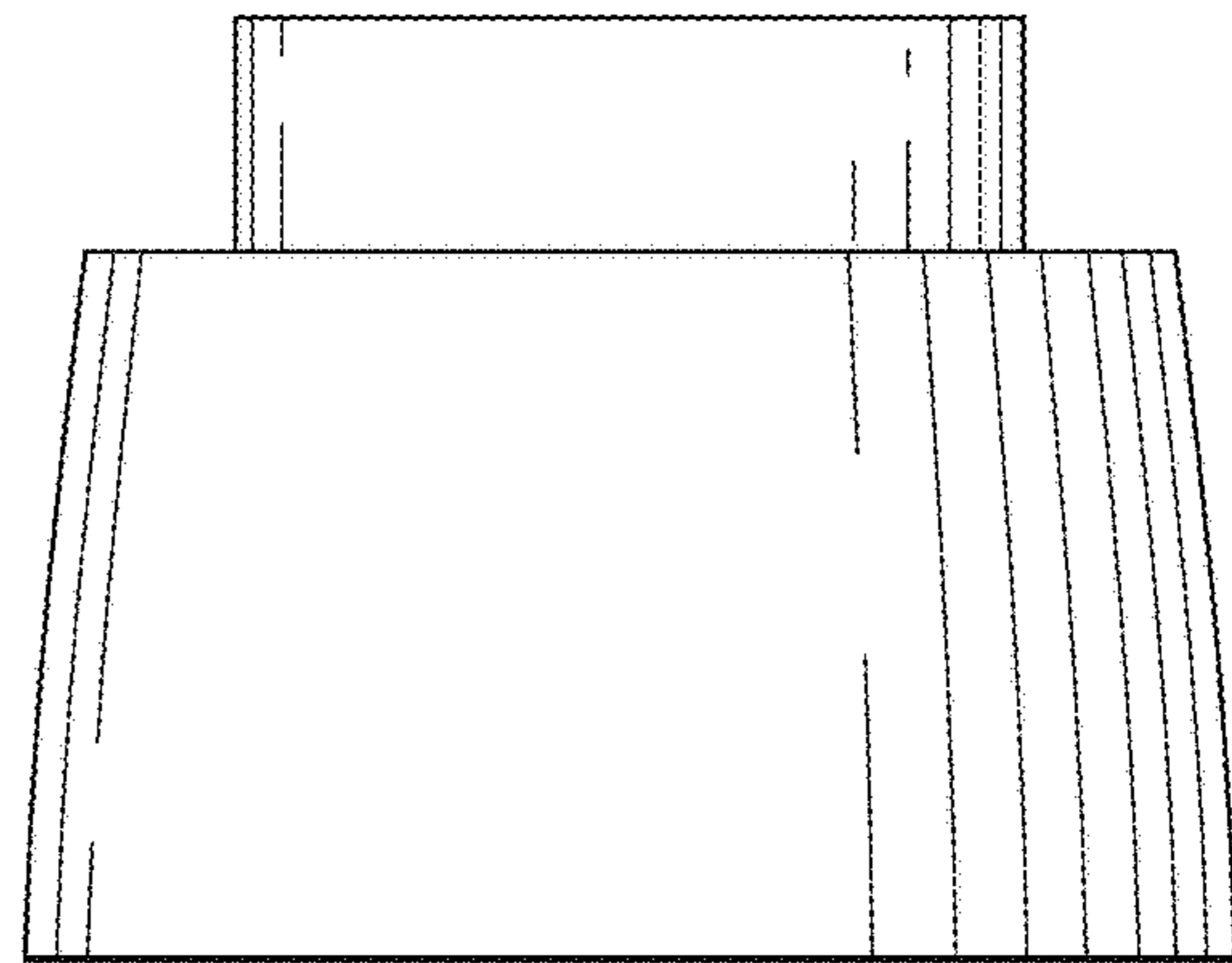
**Fig. 1**



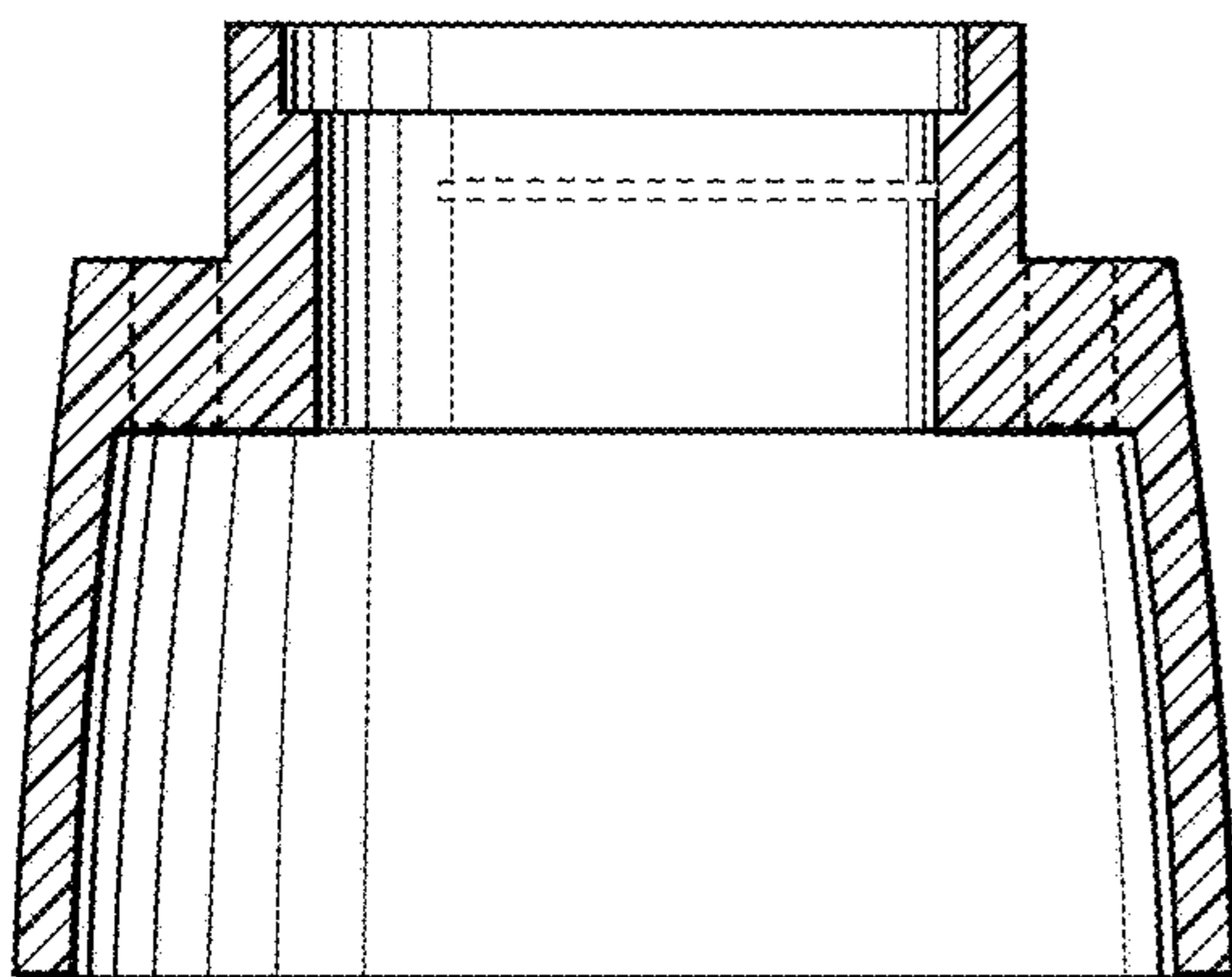
**Fig. 2**



**Fig. 4**



**Fig. 3A**



**Fig. 3**

