



US00D794779S

(12) **United States Design Patent** (10) **Patent No.:** **US D794,779 S**
Bullington et al. (45) **Date of Patent:** **** Aug. 15, 2017**

(54) **BODILY-FLUID SAMPLING DEVICE**
(71) Applicant: **Magnolia Medical Technologies, Inc.**,
Seattle, WA (US)
(72) Inventors: **Gregory Bullington**, Bellevue, WA
(US); **Richard G. Patton**, Seattle, WA
(US); **Shan E. Gaw**, Seattle, WA (US);
Jay M. Miazga, Seattle, WA (US)

5,307,994 A 5/1994 Hieronymus
5,322,094 A * 6/1994 Janesko B65B 31/047
137/845
5,458,640 A * 10/1995 Gerrone A61B 17/3417
604/158
5,485,857 A * 1/1996 Amundsen B05B 9/0805
134/102.2
5,807,338 A 9/1998 Smith et al.
5,842,638 A 12/1998 Reents et al.
(Continued)

(73) Assignee: **Magnolia Medical Technologies, Inc.**,
Seattle, WA (US)

(**) Term: **14 Years**
(21) Appl. No.: **29/525,256**
(22) Filed: **Apr. 28, 2015**

Related U.S. Application Data

(62) Division of application No. 29/434,421, filed on Oct.
12, 2012, now Pat. No. Des. 731,643.
(51) **LOC (10) Cl.** **24-02**
(52) **U.S. Cl.**
USPC **D24/117**
(58) **Field of Classification Search**
USPC D24/117, 112-114, 133, 186, 130, 127,
D24/129, 108; 600/400, 473-476, 101,
600/139, 143; 606/15-16, 181, 185;
604/264, 280, 256, 164, 283, 174;
128/200.24, 207.14, 207.15
CPC A61B 10/0045; A61B 10/0096; A61B
5/150099; A61B 5/150221; A61B
5/150236
See application file for complete search history.

(56) **References Cited**
U.S. PATENT DOCUMENTS

D286,426 S * 10/1986 Lin D23/225
4,832,232 A * 5/1989 Broccoli B05B 7/2408
222/188

OTHER PUBLICATIONS

Magnolia Medical Technologies website, The SteriPath System,
Mar. 13, 2014, <http://www.magnolia-medical.com/the-steripath-system/>.*

Primary Examiner — David Muller
Assistant Examiner — Nathan Johnston
(74) *Attorney, Agent, or Firm* — Cooley LLP

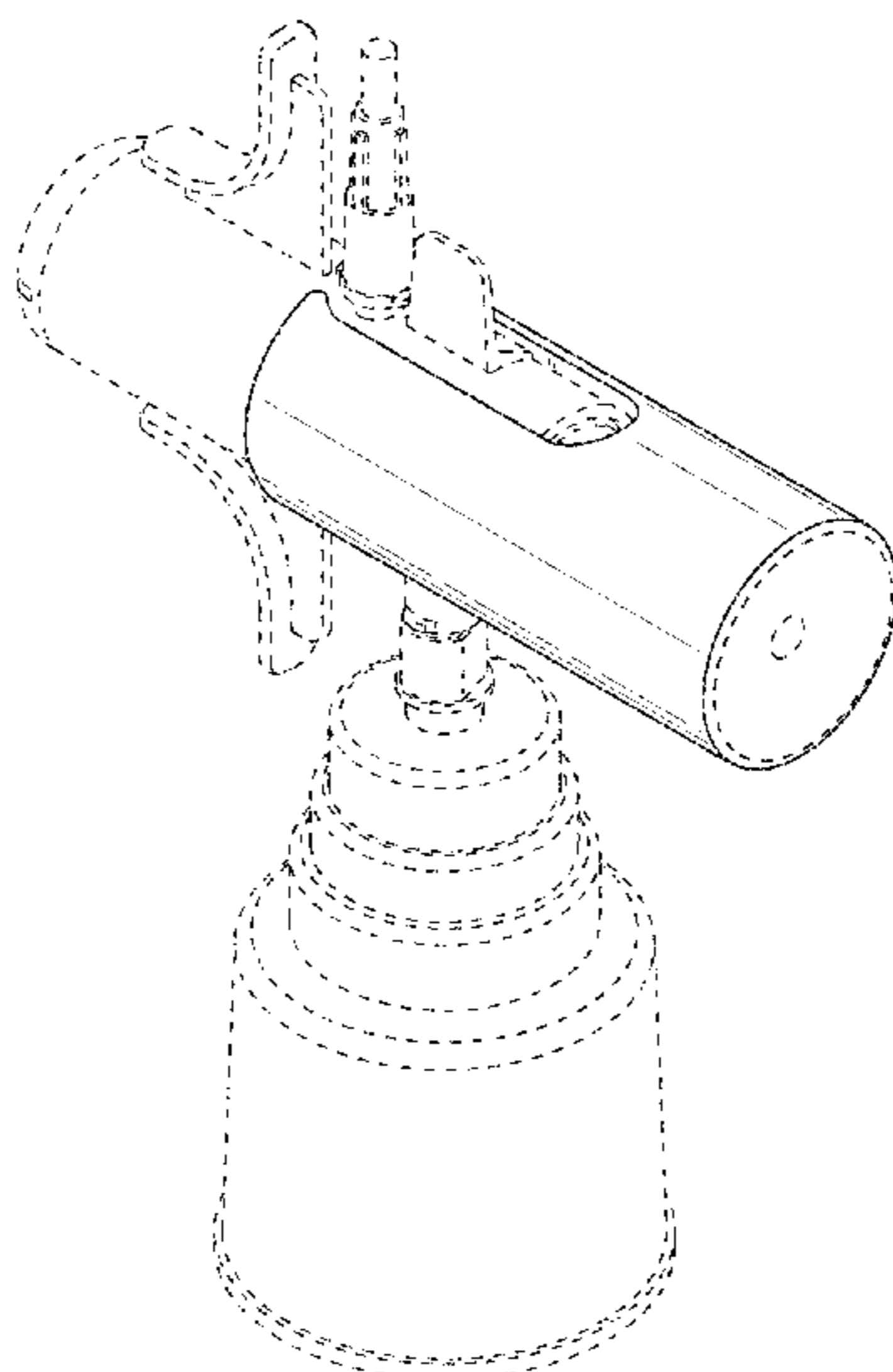
(57) **CLAIM**

The ornamental design for a bodily-fluid sampling device, as
shown and described.

DESCRIPTION

FIG. 1 is a top perspective view of the bodily-fluid sampling
device showing our new design;
FIG. 2 is a bottom perspective view thereof;
FIG. 3 is a front elevation view thereof;
FIG. 4 is a rear elevation view thereof;
FIG. 5 is a left side elevation view thereof;
FIG. 6 is a right side elevation view thereof;
FIG. 7 is a top plan view thereof; and,
FIG. 8 is a bottom plan view thereof.
The broken lines immediately adjacent the shaded areas
represent the bounds of the claimed design while all other
broken lines are directed to environment and are for illus-
trative purposes only; the broken lines form no part of the
claimed design.

1 Claim, 7 Drawing Sheets



(56)

References Cited

U.S. PATENT DOCUMENTS

6,056,766	A *	5/2000	Thompson	A61B 17/3421	
						606/108
6,159,164	A	12/2000	Neese et al.			
D503,213	S	3/2005	Stevens et al.			
D519,603	S *	4/2006	Schumann	D23/225	
D532,514	S	11/2006	Schmal			
7,258,694	B1	8/2007	Choi et al.			
7,377,452	B2	5/2008	Jones et al.			
D570,956	S	6/2008	Everett et al.			
D605,765	S *	12/2009	Gaab	D24/146	
7,798,429	B1	9/2010	Porter			
8,062,305	B2 *	11/2011	Wenchell	A61B 17/3421	
						600/184
D664,628	S *	7/2012	Zhou	D23/225	
8,535,241	B2	9/2013	Bullington et al.			
D713,500	S *	9/2014	Muhl	D23/225	
D731,643	S *	6/2015	Bullington	D24/117	
9,060,724	B2	6/2015	Bullington et al.			
2009/0005740	A1 *	1/2009	Smith	A61M 39/0606	
						604/256
2010/0322795	A1	12/2010	Jones et al.			
2011/0152910	A1	6/2011	Smith			

* cited by examiner

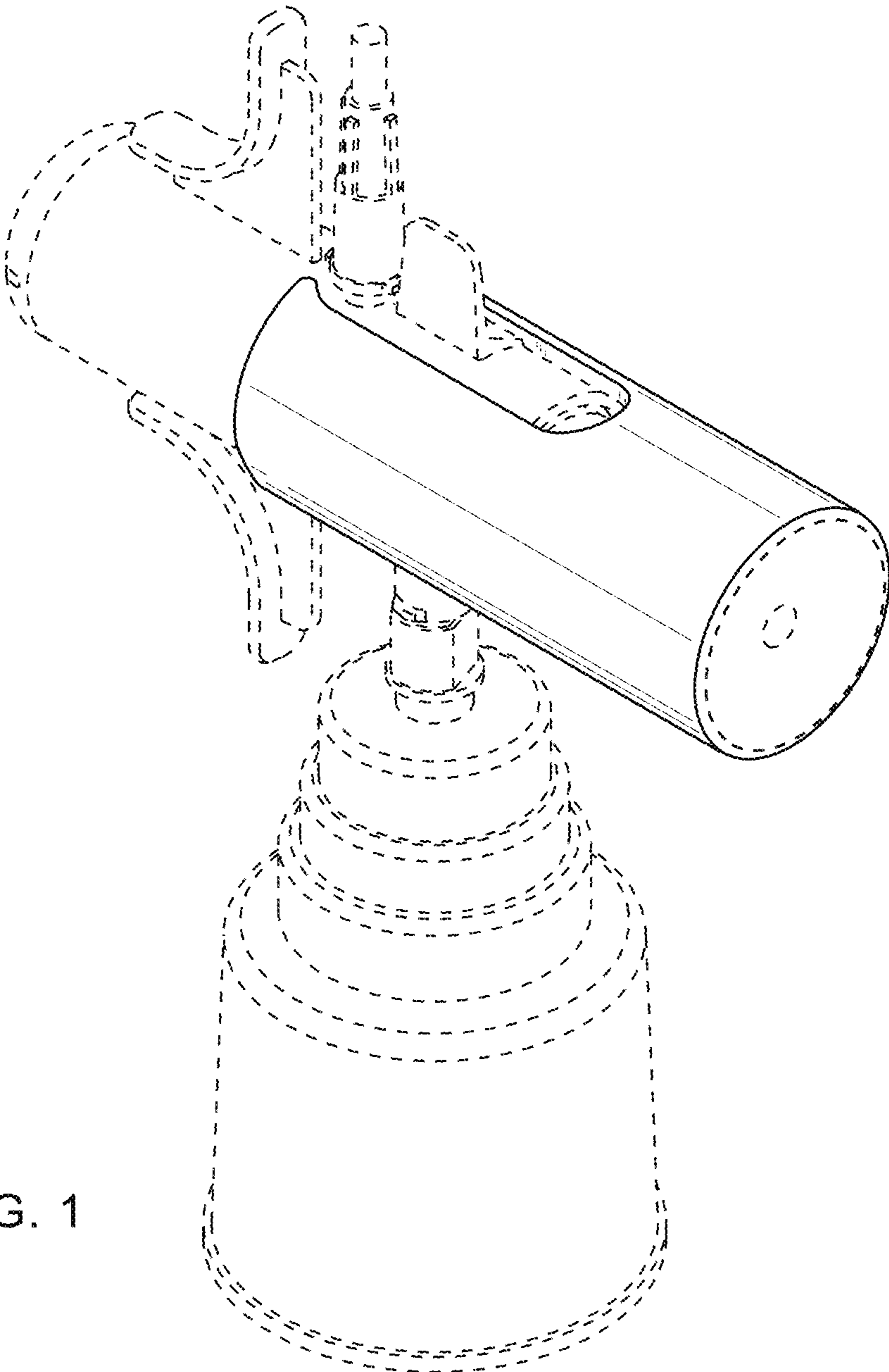


FIG. 1

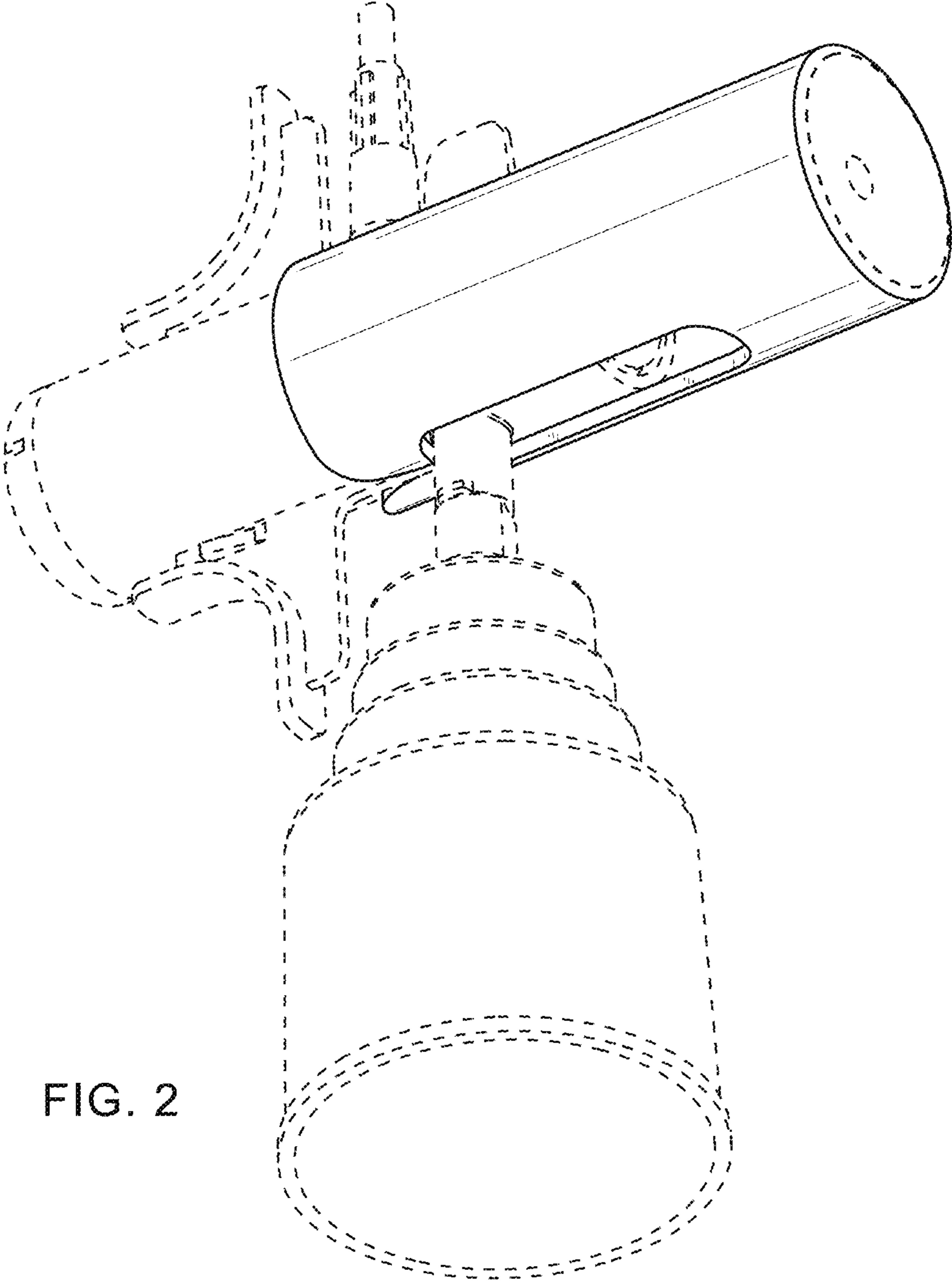


FIG. 2

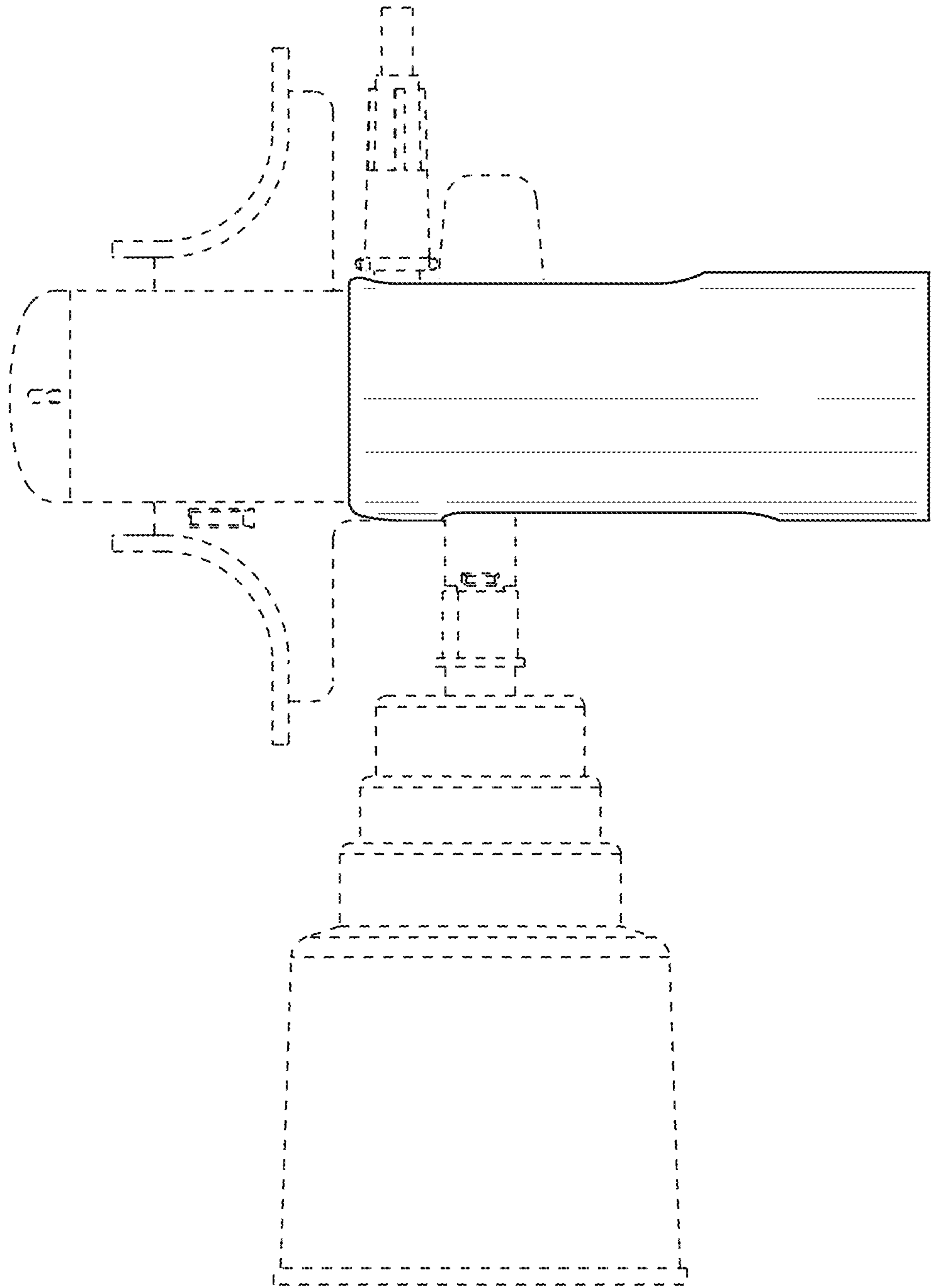


FIG. 3

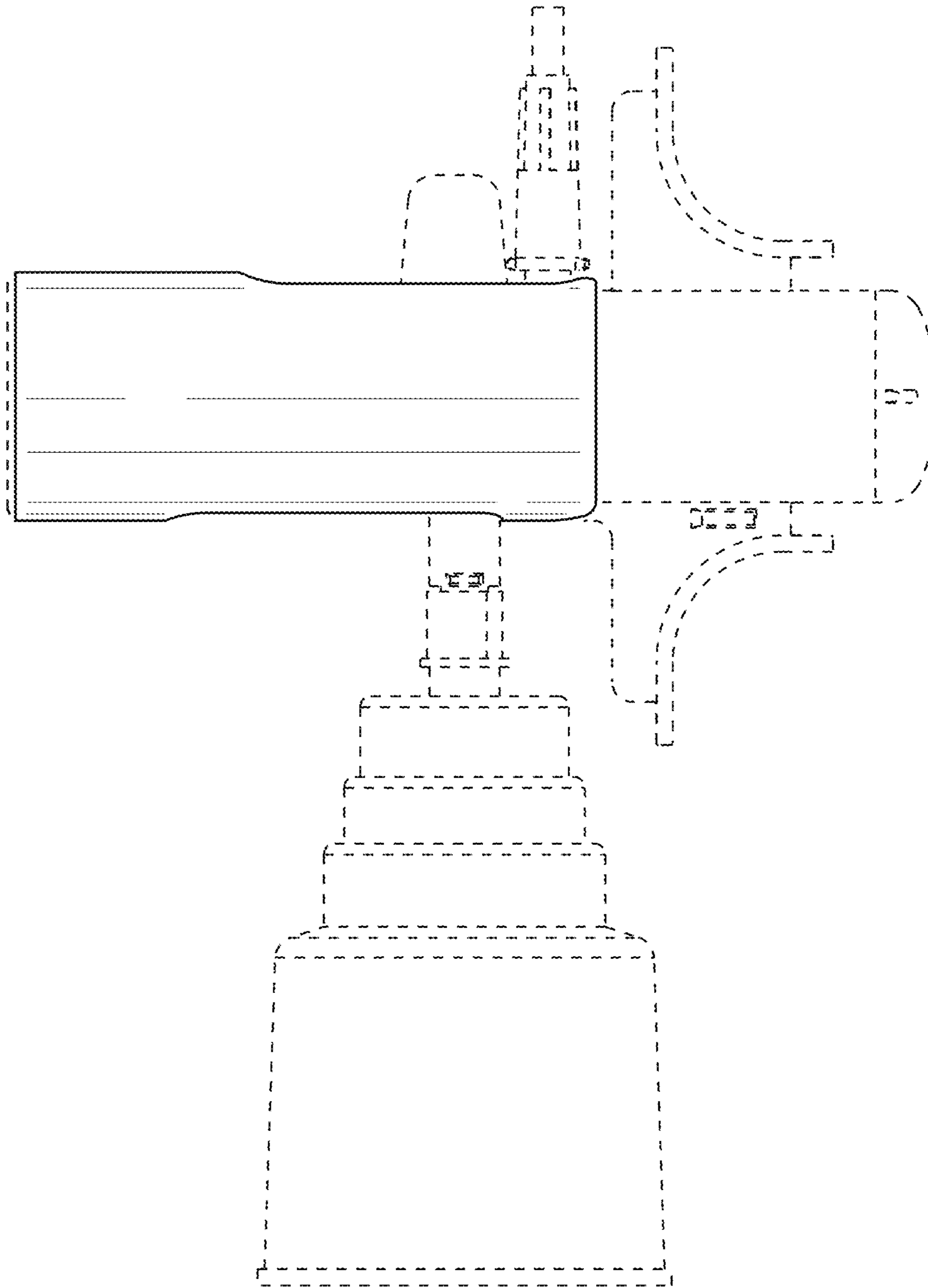


FIG. 4

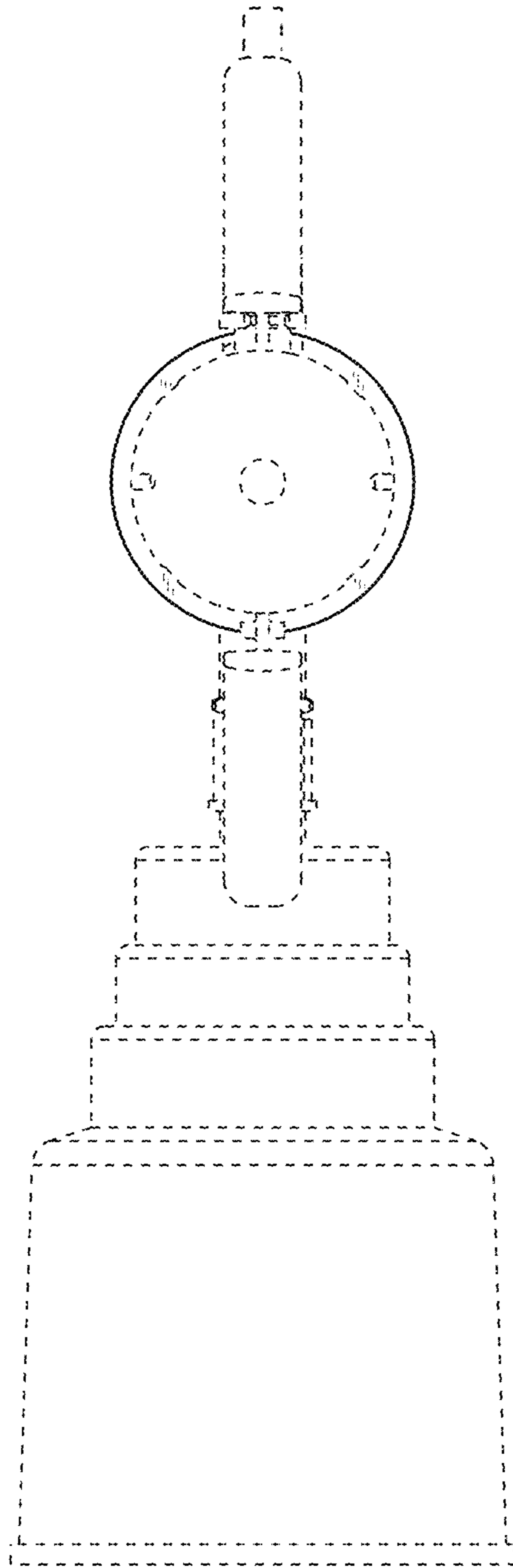


FIG. 5

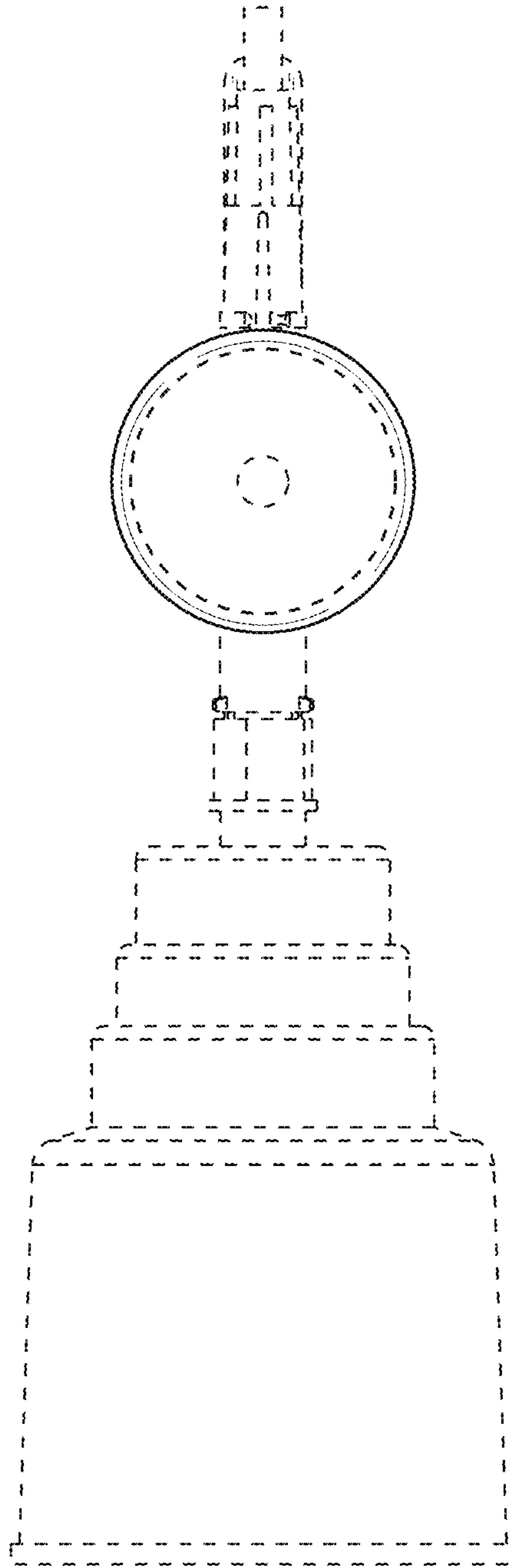


FIG. 6

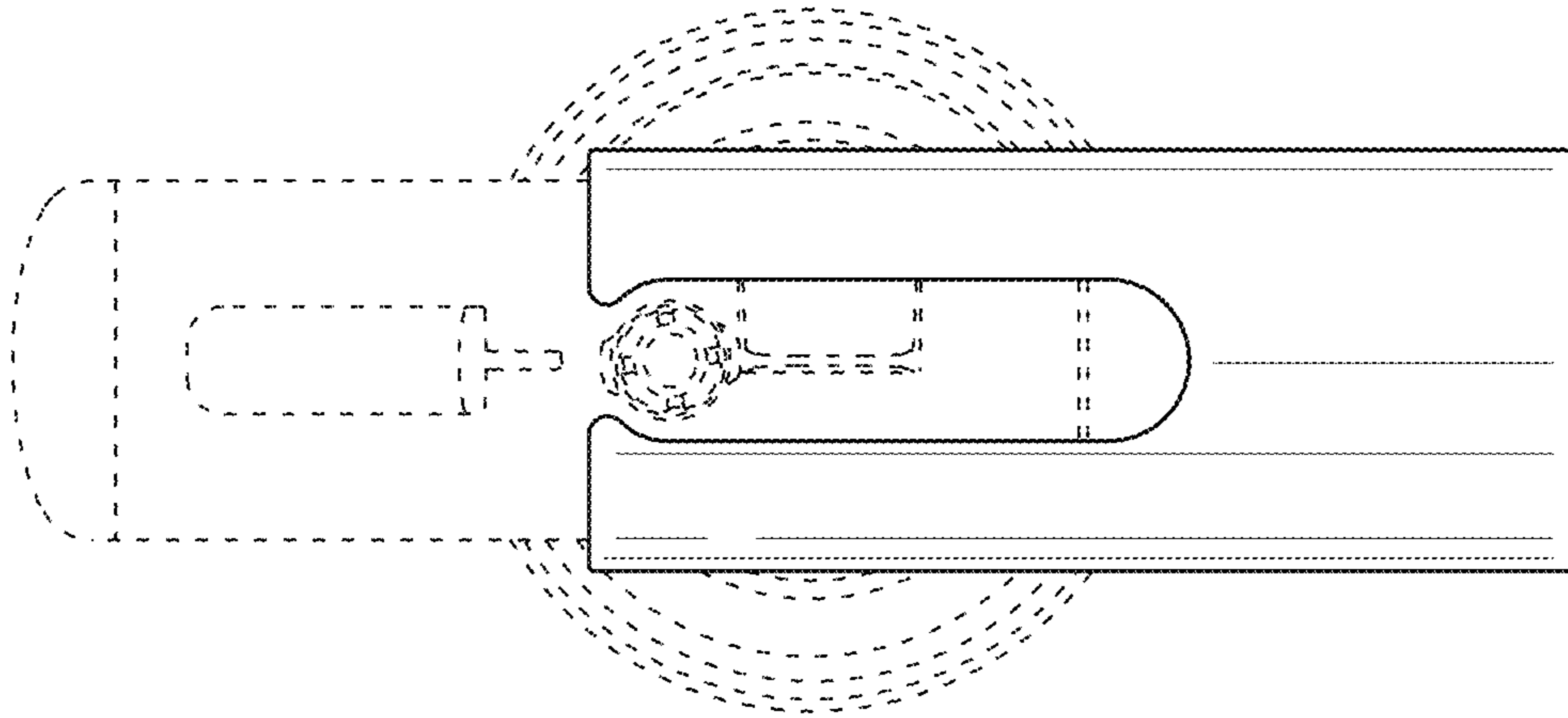


FIG. 7

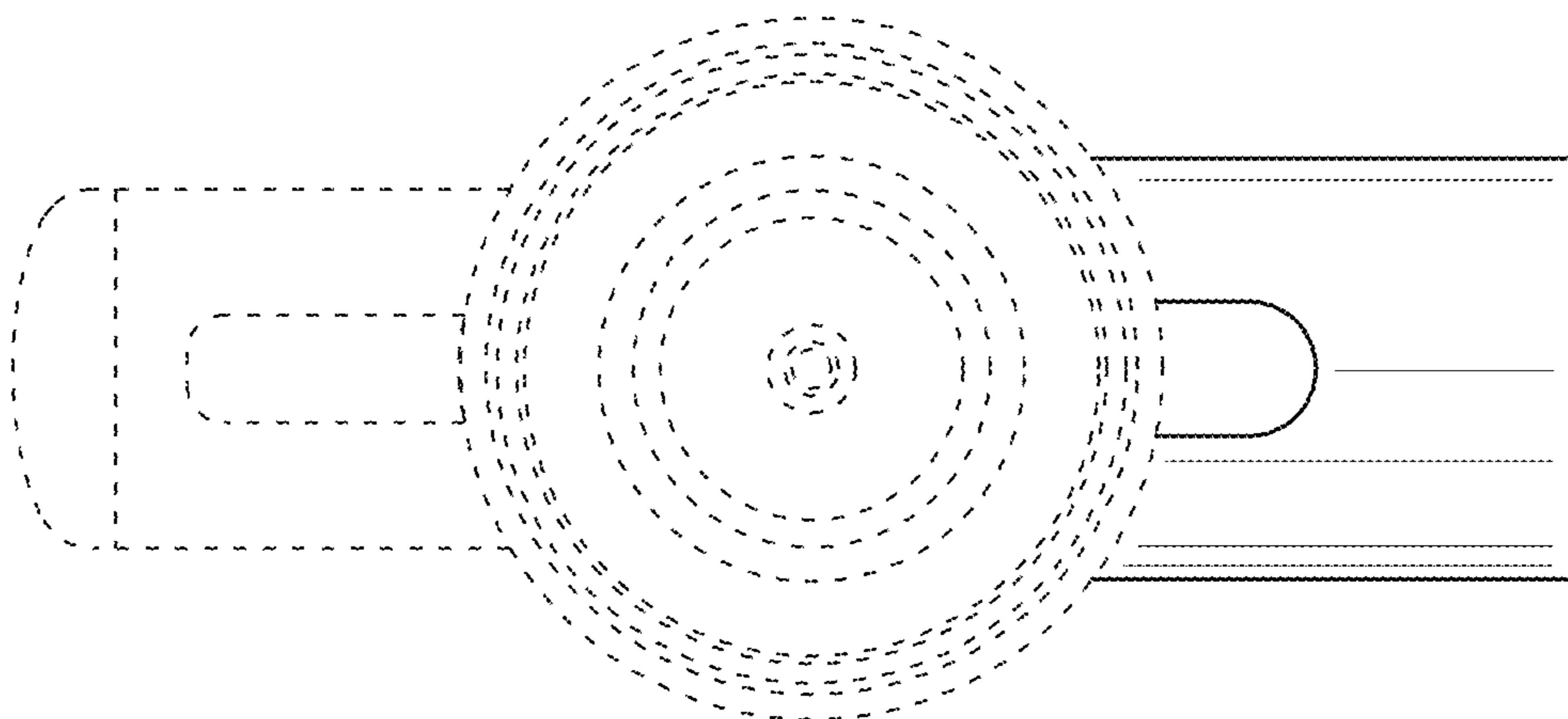


FIG. 8