



US00D794777S

(12) **United States Design Patent** (10) **Patent No.:** **US D794,777 S**
Daniel et al. (45) **Date of Patent:** **** Aug. 15, 2017**

(54) **HOUSING FOR A MEDICAL INJECTOR**
(71) Applicant: **SHL GROUP AB**, Nacka Strand (SE)
(72) Inventors: **Mattias Daniel**, Taby (SE); **Katja Wessel**, Stockholm (SE)
(73) Assignee: **SHL GROUP AB**, Nacka Strand (SE)
(**) Term: **15 Years**
(21) Appl. No.: **29/546,582**
(22) Filed: **Nov. 24, 2015**

Related U.S. Application Data

(63) Continuation-in-part of application No. 13/650,708, filed on Oct. 12, 2012, which is a continuation-in-part of application No. 13/636,241, filed as application No. PCT/SE2011/050236 on Mar. 23, 2011, now Pat. No. 9,199,038.

Foreign Application Priority Data

Mar. 31, 2010 (SE) 1050307

(51) **LOC (10) Cl.** **24-02**

(52) **U.S. Cl.**
USPC **D24/113**

(58) **Field of Classification Search**
USPC D24/112-114, 108, 130, 127, 133, 186; 606/181, 185; 604/264, 523-528, 272, 604/164.01-164.11, 187, 93.01; 600/101, 600/139, 143; 128/200.24, 207.14, 128/207.15
CPC A61M 5/178; A61M 3/00; A61M 5/20; A61M 5/31; A61M 5/3146; A61M 5/3129; A61M 5/3148; A61M 5/315
See application file for complete search history.

(56) **References Cited**

U.S. PATENT DOCUMENTS

7,488,297	B2 *	2/2009	Flaherty	A61M 5/1407
				600/498
D619,244	S *	7/2010	Van der Stappen	D24/113
D708,317	S *	7/2014	Schneider	D24/113
8,821,451	B2 *	9/2014	Daniel	A61M 5/2033
				604/137
D714,932	S *	10/2014	Hall	D24/112
9,033,932	B2 *	5/2015	Holmqvist	A61M 5/2033
				604/187
D733,869	S *	7/2015	Ratjen	D24/113
D757,255	S *	5/2016	Wohlfahrt	D24/113
D758,567	S *	6/2016	Wohlfahrt	D24/113
D758,569	S *	6/2016	Wohlfahrt	D24/113
D758,570	S *	6/2016	Wohlfahrt	D24/113
D758,571	S *	6/2016	Geert-Jensen	D24/113
D767,119	S *	9/2016	Hauck	D24/113

* cited by examiner

Primary Examiner — David Muller
(74) *Attorney, Agent, or Firm* — McDonnell Boehnen Hulbert & Berghoff LLP

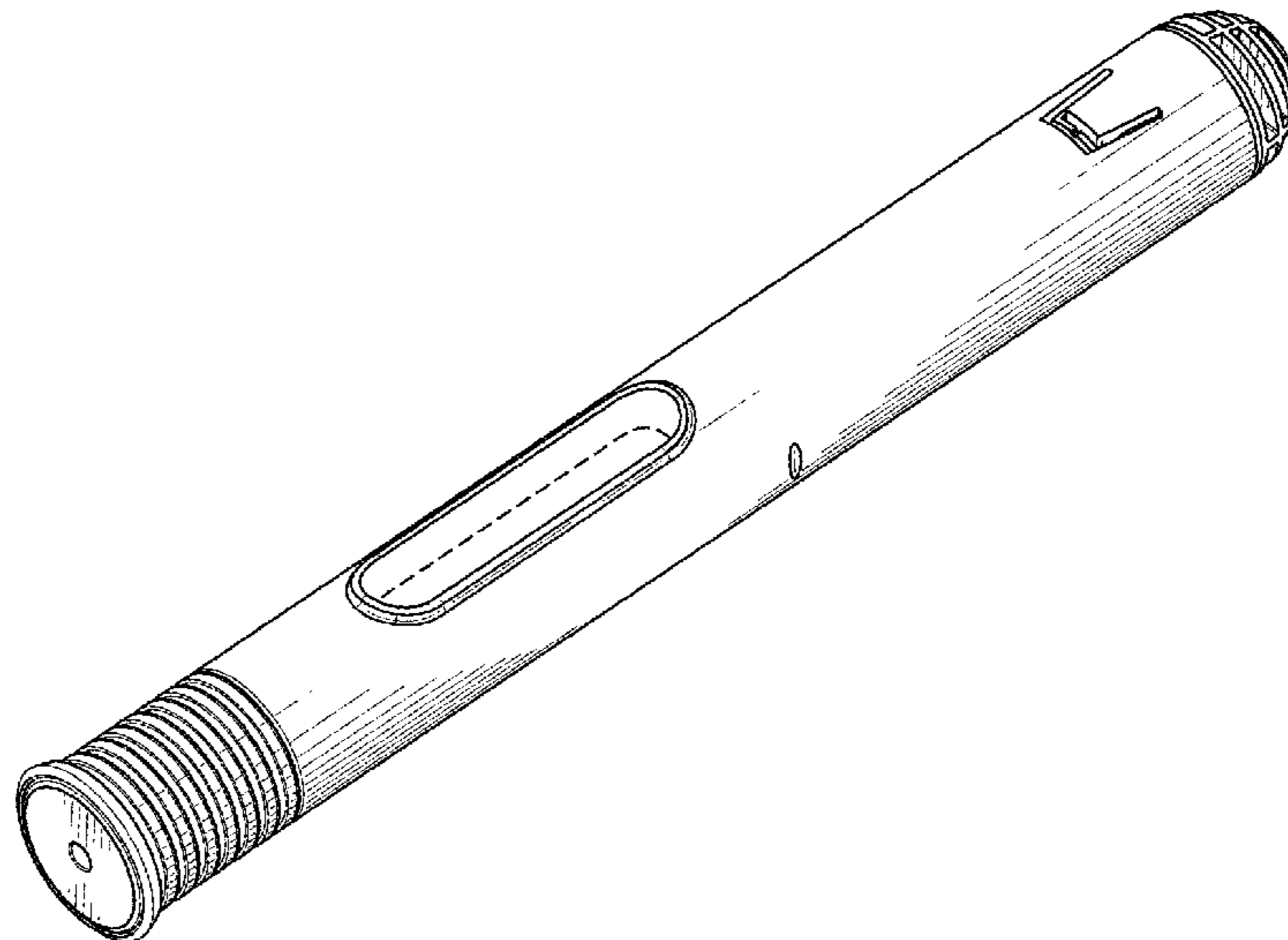
(57) **CLAIM**

The ornamental design for a housing for a medical injector, as shown and described.

DESCRIPTION

FIG. 1 is a perspective view of the housing viewed from the front and left of and above the medical injector; FIG. 2 is a front elevation view thereof; FIG. 3 is a rear elevation view thereof; FIG. 4 is a left side elevation view thereof; FIG. 5 is a right side elevation view thereof; FIG. 6 is a bottom plan view thereof; and, FIG. 7 is a top plan view thereof. The broken line showing is for the purpose of illustrating portions of the article and forms no part of the claimed design. The broken line which defines the bounds of the claimed invention forms no part of the claimed design.

1 Claim, 3 Drawing Sheets



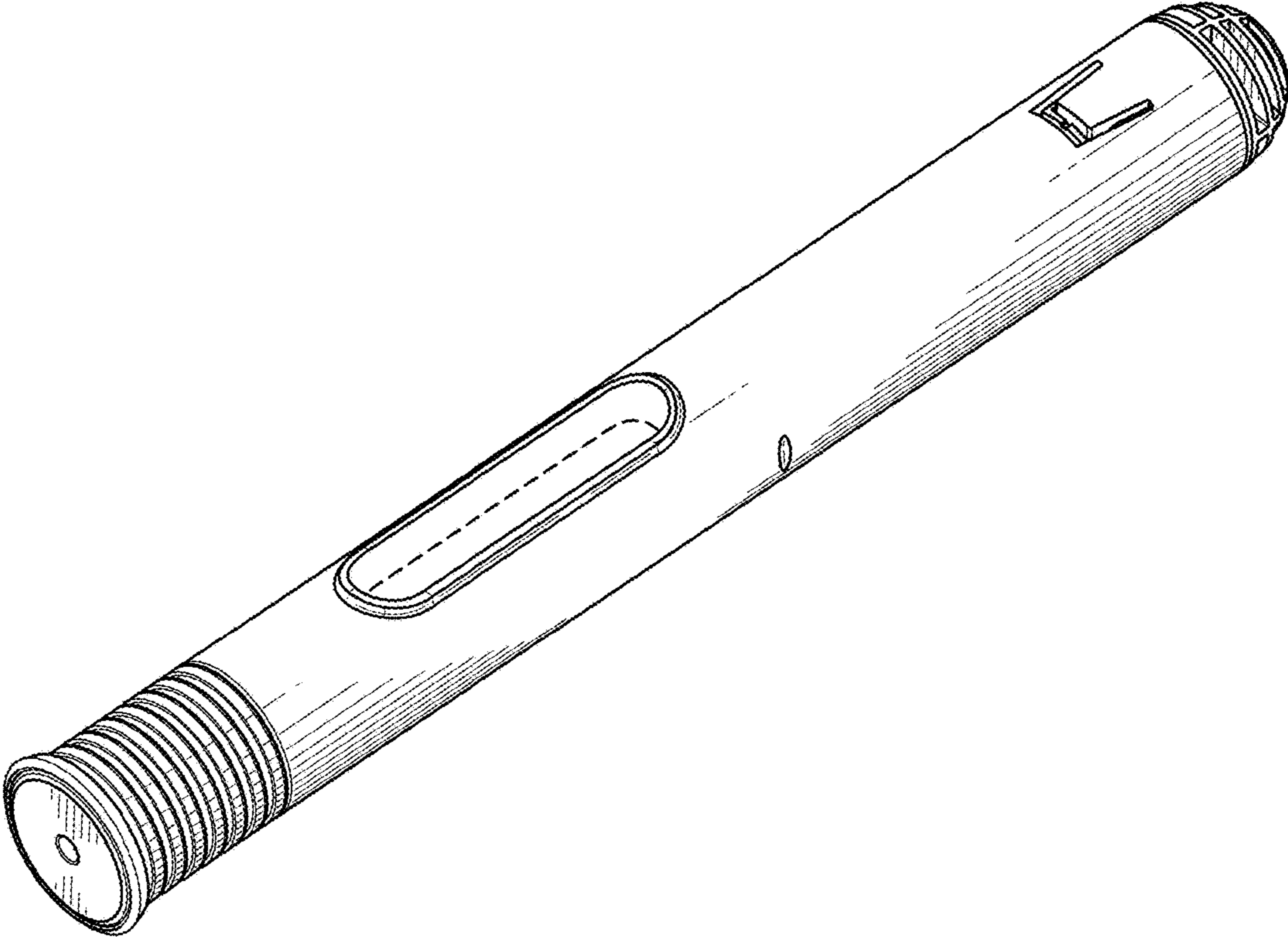


FIG. 1

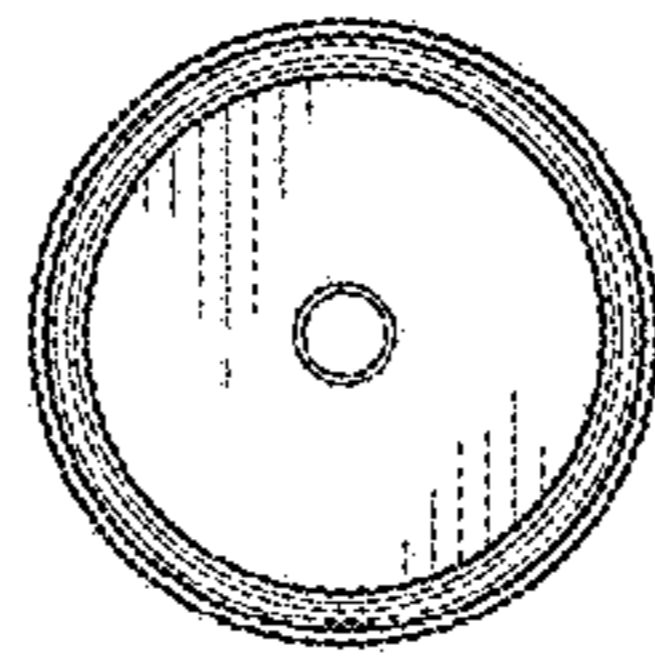


FIG. 2

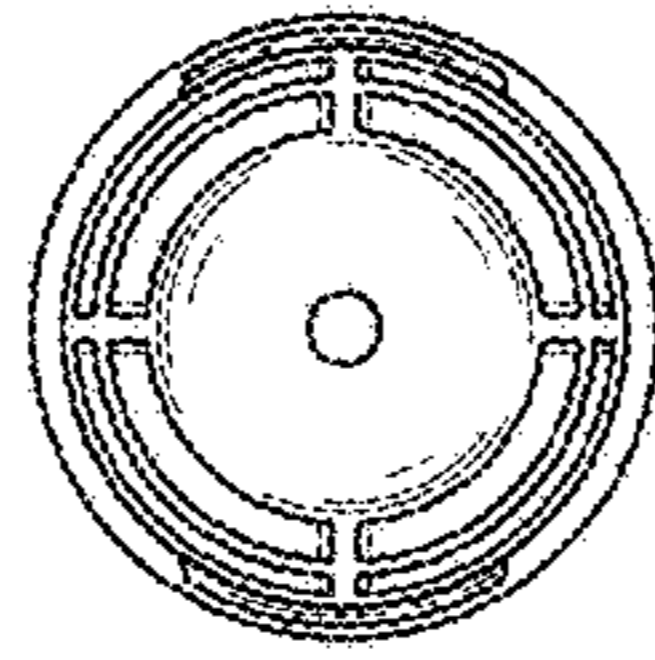


FIG. 3

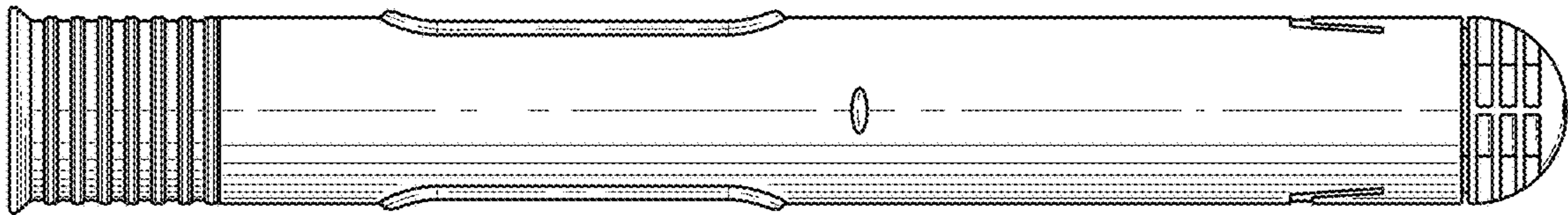


FIG. 4

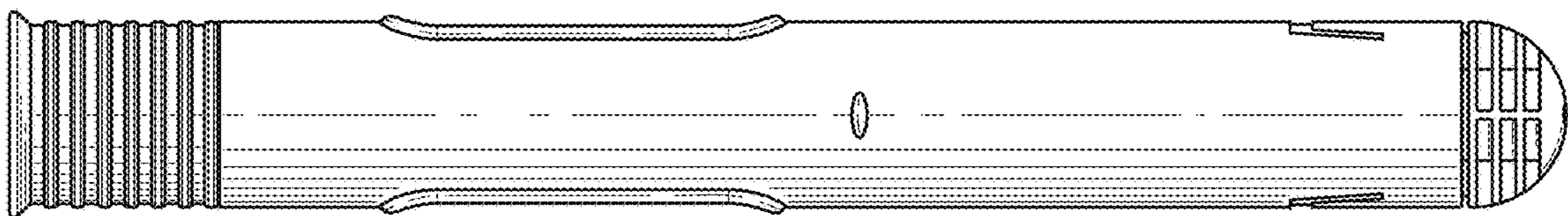


FIG. 5

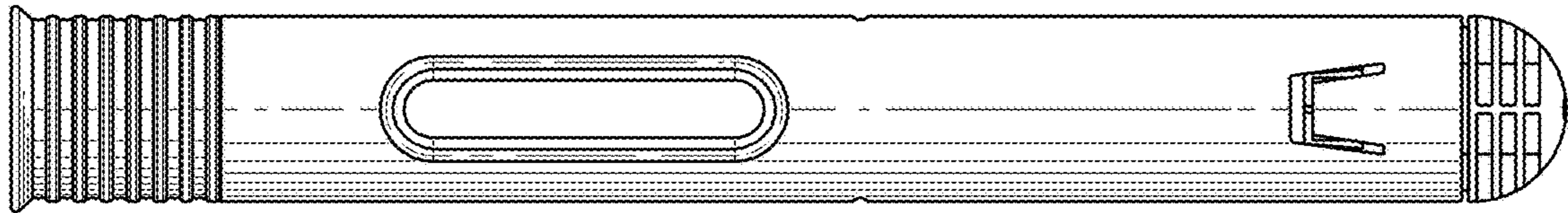


FIG. 6

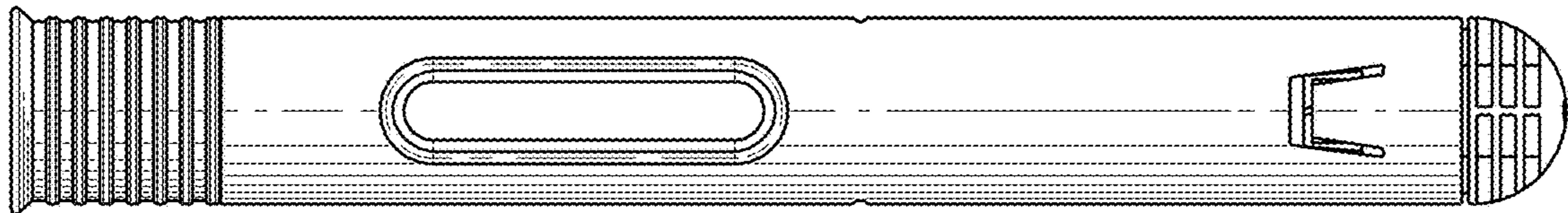


FIG. 7