



US00D794776S

(12) **United States Design Patent** (10) **Patent No.:** **US D794,776 S**  
**Tyce et al.** (45) **Date of Patent:** **\*\* \*Aug. 15, 2017**

(54) **MEDICAL INJECTOR**

(57) **CLAIM**

(71) Applicant: **Becton, Dickinson and Company,**  
Franklin Lakes, NJ (US)

The ornamental design for a medical injector, as shown and described.

(72) Inventors: **Daniel Paul Charles Tyce,** Leamington Spa (GB); **Malcolm Stanley Boyd,** Wellesbourne (GB); **John David Cross,** Northampton (GB); **Stuart James King,** Launton (GB)

**DESCRIPTION**

(73) Assignee: **Becton, Dickinson and Company,**  
Franklin Lakes, NJ (US)

FIG. 1 is a rear perspective view of a medical injector in an initial state, in accordance with an embodiment of the present design;

(\*) Notice: This patent is subject to a terminal disclaimer.

FIG. 2 is a front perspective view thereof in the initial state;

(\*\*) Term: **15 Years**

FIG. 3 is a top plan view thereof in the initial state;

(21) Appl. No.: **29/534,641**

FIG. 4 is a bottom plan view thereof in the initial state;

(22) Filed: **Jul. 30, 2015**

FIG. 5 is a right side elevation view thereof in the initial state;

(51) **LOC (10) Cl.** ..... **24-02**

FIG. 6 is a left side elevation view thereof in the initial state;

(52) **U.S. Cl.**  
USPC ..... **D24/113**

FIG. 7 is rear elevation view thereof in the initial state;

(58) **Field of Classification Search**  
USPC ..... D24/112-114, 108, 133, 130, 127, 186;  
606/181, 185; 604/264, 272, 187, 181,  
604/184, 227

FIG. 8 is a front elevation view thereof in the initial state;

(Continued)

FIG. 9 is a rear perspective view of the medical injector of FIG. 1 in an intermediate state;

(56) **References Cited**

**U.S. PATENT DOCUMENTS**

4,487,603 A 12/1984 Harris  
4,517,971 A 5/1985 Sorbonne

(Continued)

FIG. 10 is a front perspective view thereof in the intermediate state;

**FOREIGN PATENT DOCUMENTS**

WO 2011146166 A1 11/2011

*Primary Examiner* — David Muller

FIG. 11 is a top plan view thereof in the intermediate state;

(74) *Attorney, Agent, or Firm* — The Webb Law Firm

FIG. 12 is a bottom plan view thereof in the intermediate state;

(Continued)

FIG. 13 is a right side elevation view thereof in the intermediate state;

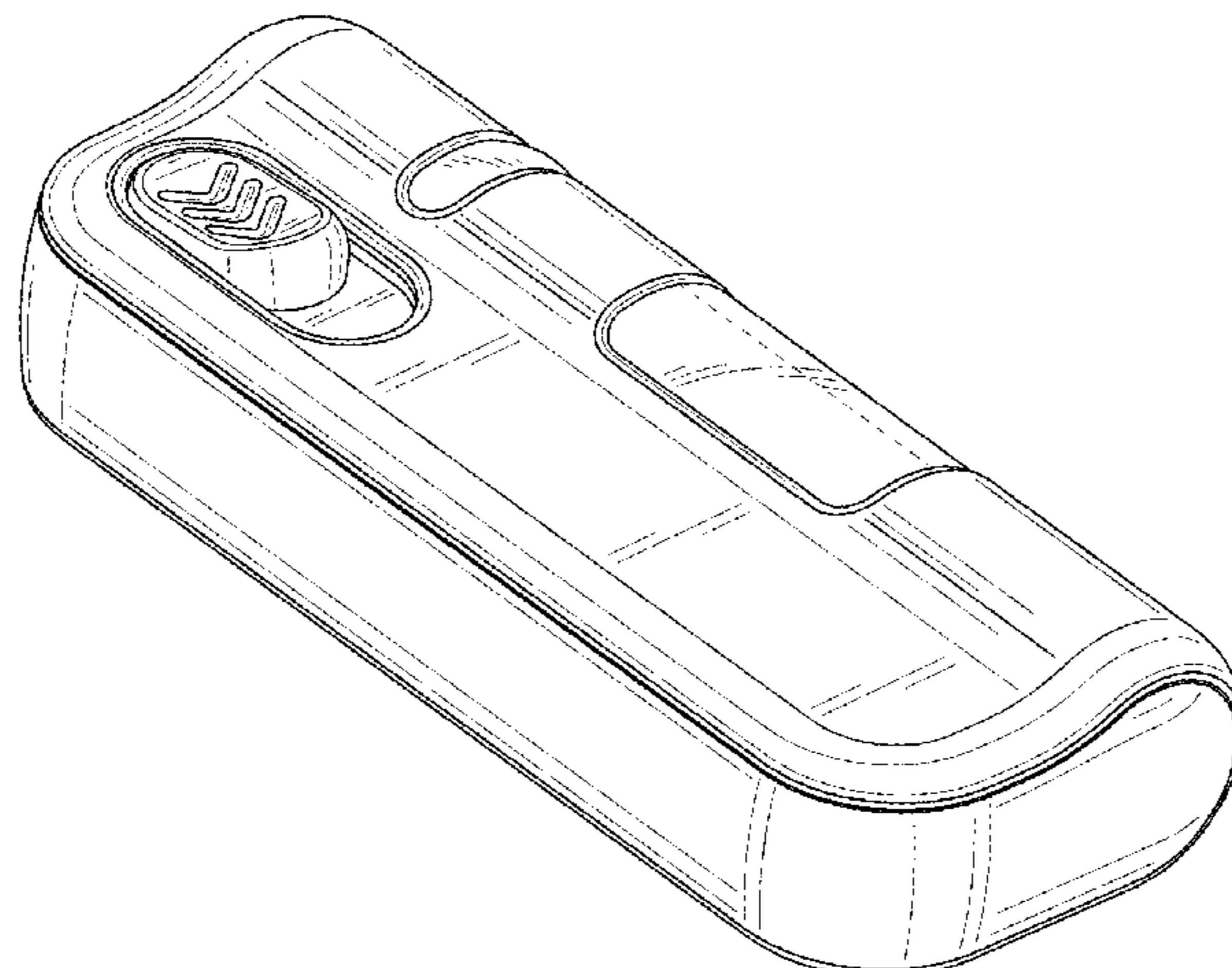


FIG. 14 is a left side elevation view thereof in the intermediate state;

FIG. 15 is rear elevation view thereof in the intermediate state;

FIG. 16 is a front elevation view thereof in the intermediate state;

FIG. 17 is a rear perspective view of the medical injector of FIG. 1 in a final state;

FIG. 18 is a front perspective view thereof in the final state;

FIG. 19 is a top plan view thereof in the final state;

FIG. 20 is a rear elevation view thereof in the final state;

FIG. 21 is a right side elevation view thereof in the final state;

FIG. 22 is a left side elevation view thereof in the final state;

FIG. 23 is rear elevation view thereof in the final state;

FIG. 24 is a front elevation view thereof in the final state;  
 FIG. 25 is a rear perspective view of another embodiment of a medical injector in an intermediate state, in accordance with the present design;  
 FIG. 26 is a front perspective view thereof in the intermediate state;  
 FIG. 27 is a top plan view thereof in the intermediate state;  
 FIG. 28 is a bottom plan view thereof in the intermediate state;  
 FIG. 29 is a right side elevation view thereof in the intermediate state;  
 FIG. 30 is a left side elevation view thereof in the intermediate state;  
 FIG. 31 is rear elevation view thereof in the intermediate state;  
 FIG. 32 is a front elevation view thereof in the intermediate state;  
 FIG. 33 is a rear perspective view of another embodiment of a medical injector in an intermediate state, in accordance with the present design;  
 FIG. 34 is a front perspective view thereof in the intermediate state;  
 FIG. 35 is a top plan view thereof in the intermediate state;  
 FIG. 36 is a bottom plan view thereof in the intermediate state;  
 FIG. 37 is a right side elevation view thereof in the intermediate state;  
 FIG. 38 is a left side elevation view thereof in the intermediate state;  
 FIG. 39 is rear elevation view thereof in the intermediate state; and,  
 FIG. 40 is a front elevation view thereof in the intermediate state.  
 Portions of the medical injector shown in dashed lines in FIGS. 1-4, 8-12, 16-20, 24-28, 32-36, and 40 depict unclaimed portions of the medical injector that are included for environmental purposes only.

**1 Claim, 20 Drawing Sheets**

(58) **Field of Classification Search**  
 CPC ..... A61M 5/178; A61M 3/00; A61M 5/20;  
 A61M 5/31  
 See application file for complete search history.

(56) **References Cited**

U.S. PATENT DOCUMENTS

4,548,607	A	10/1985	Harris
D283,045	S	3/1986	Lynn
4,886,514	A	12/1989	Maget
4,902,278	A	2/1990	Maget et al.
4,938,354	A	7/1990	Hernandez
5,267,963	A	12/1993	Bachynsky
5,336,180	A	8/1994	Kriesel et al.
5,389,078	A	2/1995	Zalesky et al.
D359,120	S	6/1995	Sallee et al.

5,437,636	A	8/1995	Snoke et al.
5,582,593	A	12/1996	Hultman
D393,271	S	4/1998	Conner et al.
5,741,230	A	4/1998	Miller
5,814,020	A	9/1998	Gross
5,840,071	A	11/1998	Kriesel et al.
5,848,990	A	12/1998	Cirelli et al.
5,848,991	A	12/1998	Gross et al.
5,858,001	A	1/1999	Tsals et al.
D405,524	S	2/1999	Falk et al.
5,957,895	A	9/1999	Sage et al.
D454,194	S	3/2002	Bar-Or
D455,207	S	4/2002	Gross et al.
6,451,040	B1	9/2002	Purcell
6,500,150	B1	12/2002	Gross et al.
6,527,744	B1	3/2003	Kriesel et al.
6,629,949	B1	10/2003	Douglas
6,641,566	B2	11/2003	Douglas et al.
6,659,982	B2	12/2003	Douglas et al.
6,699,218	B2	3/2004	Flaherty et al.
6,808,506	B2	10/2004	Lastovich et al.
D535,397	S	1/2007	Chen
7,416,540	B2	8/2008	Edwards et al.
D602,155	S	10/2009	Foley et al.
D602,586	S	10/2009	Foley et al.
7,628,770	B2	12/2009	Ethelfeld
7,637,891	B2	12/2009	Wall
7,658,724	B2	2/2010	Rubin et al.
D612,042	S	3/2010	Noren
7,678,079	B2	3/2010	Shermer et al.
7,753,879	B2	7/2010	Mernoe
7,931,621	B2	4/2011	Cross et al.
7,955,297	B2	6/2011	Radmer et al.
7,967,795	B1	6/2011	Cabiri
D641,076	S	7/2011	Grunstad et al.
7,981,085	B2	7/2011	Ethelfeld
8,128,596	B2	3/2012	Carter
8,128,597	B2	3/2012	Cross et al.
8,152,779	B2	4/2012	Cabiri
8,157,769	B2	4/2012	Cabiri
8,286,644	B2	10/2012	Bennett
8,303,615	B2	11/2012	Purcell
D674,479	S *	1/2013	Merchant ..... D24/108
8,348,898	B2	1/2013	Cabiri
D676,955	S	2/2013	Orome
D681,195	S	4/2013	Skulley et al.
D684,686	S *	6/2013	Cronenberg ..... D24/108
D685,083	S *	6/2013	Schneider ..... D24/108
D687,141	S *	7/2013	Schneider ..... D24/108
D687,536	S *	8/2013	Guarraia ..... D24/108
D692,552	S	10/2013	Lovell et al.
D693,455	S	11/2013	Alchas et al.
D695,392	S *	12/2013	Tani ..... D24/113
D714,948	S *	10/2014	Vaccarella ..... D24/186
D720,070	S *	12/2014	Khalaj ..... D24/133
D732,411	S *	6/2015	Waler ..... D10/81
D741,995	S *	10/2015	Prasser ..... D24/113
D745,661	S *	12/2015	Collins ..... D24/108
D752,763	S *	3/2016	Rondoni ..... D24/186
D755,372	S *	5/2016	Masumoto ..... D24/130
2007/0005017	A1	1/2007	Alchas et al.
2007/0287969	A1	12/2007	Rezai et al.
2008/0215015	A1	9/2008	Cindrigh et al.
2009/0221971	A1	9/2009	Mejlhede et al.
2010/0222743	A1	9/2010	Frederickson et al.
2010/0292648	A1	11/2010	Lastovich et al.

\* cited by examiner

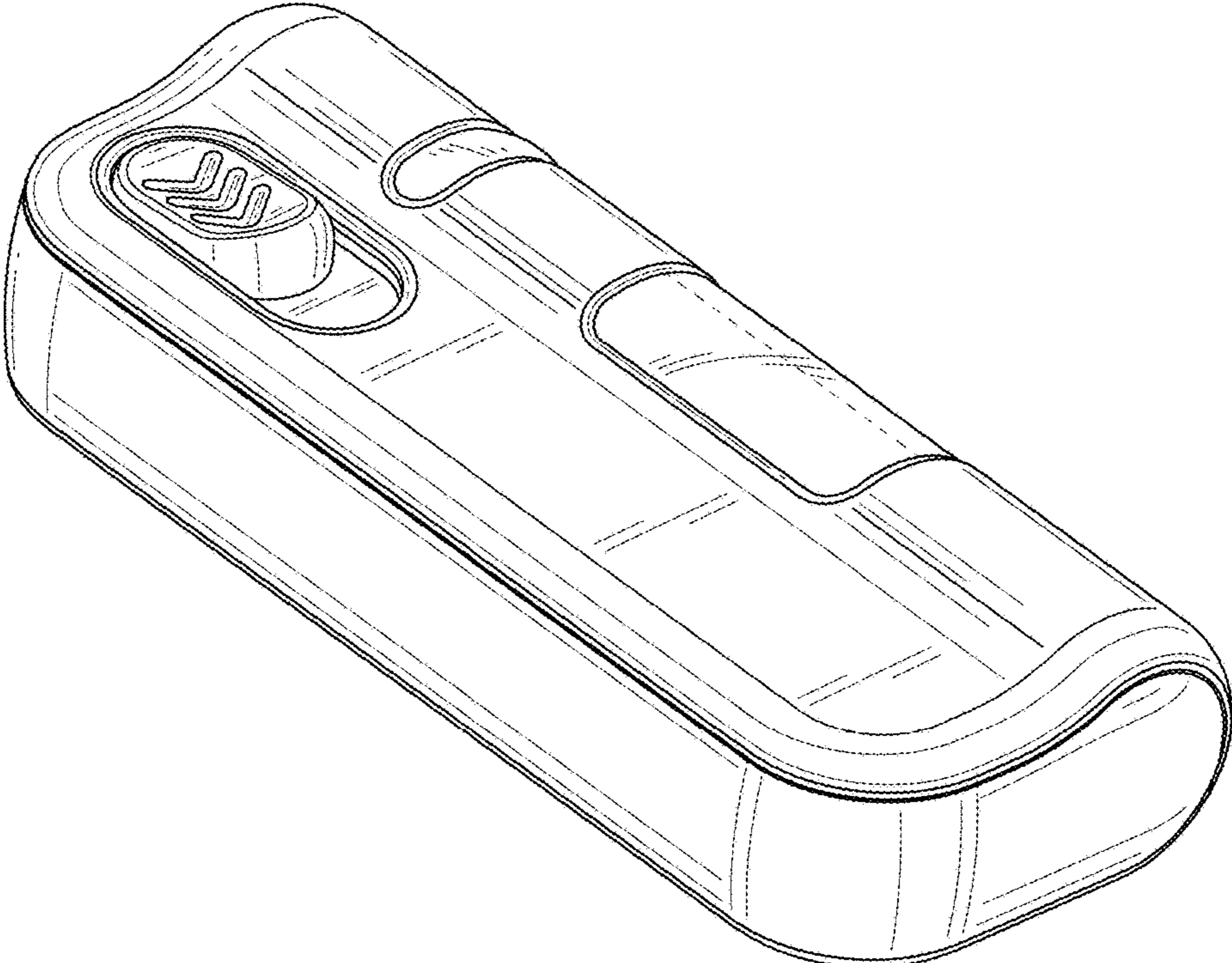


FIG. 1

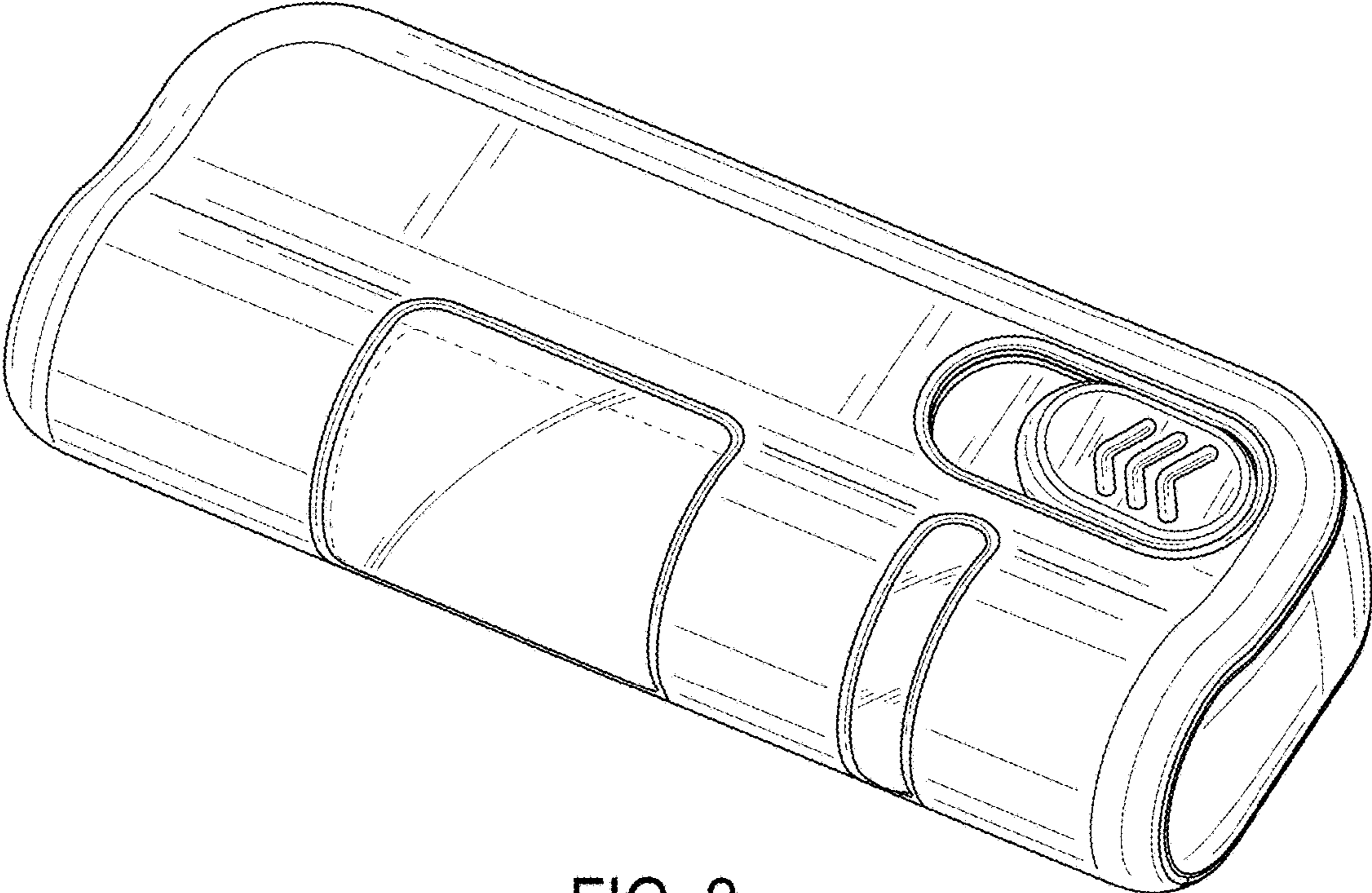


FIG. 2

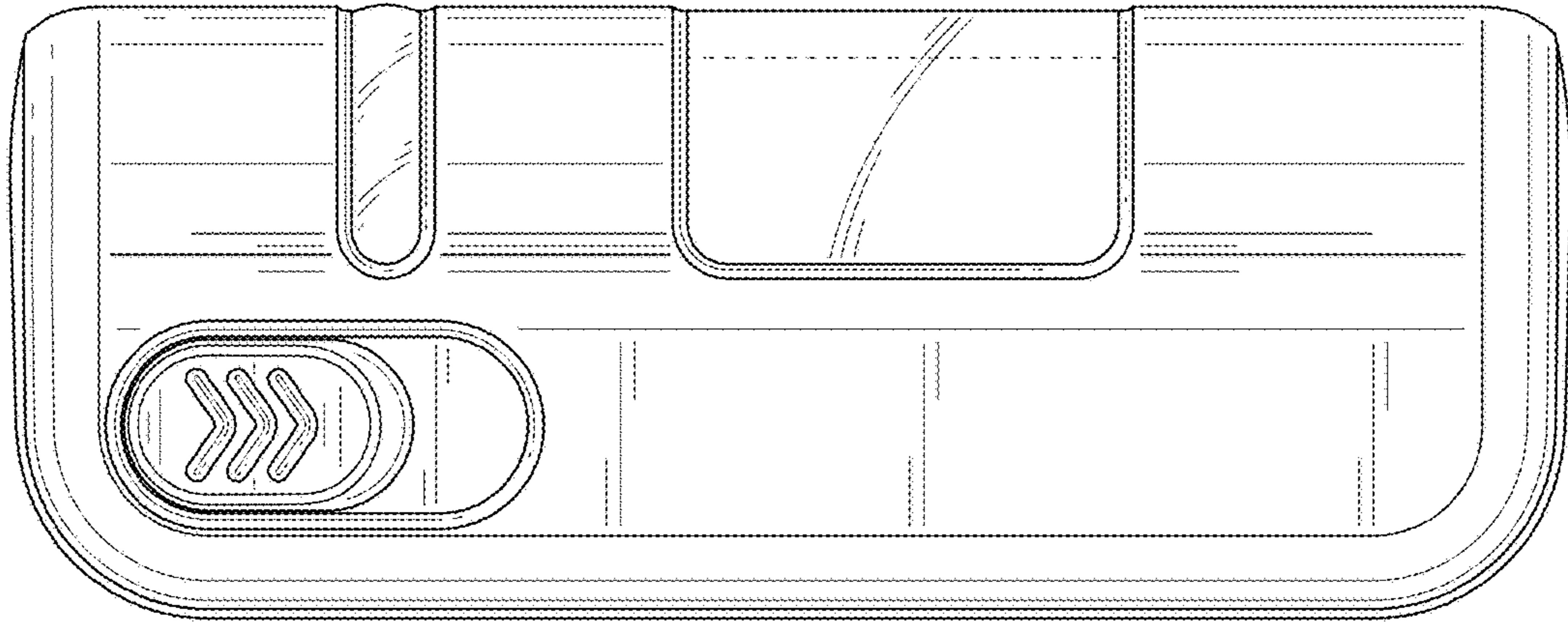


FIG. 3

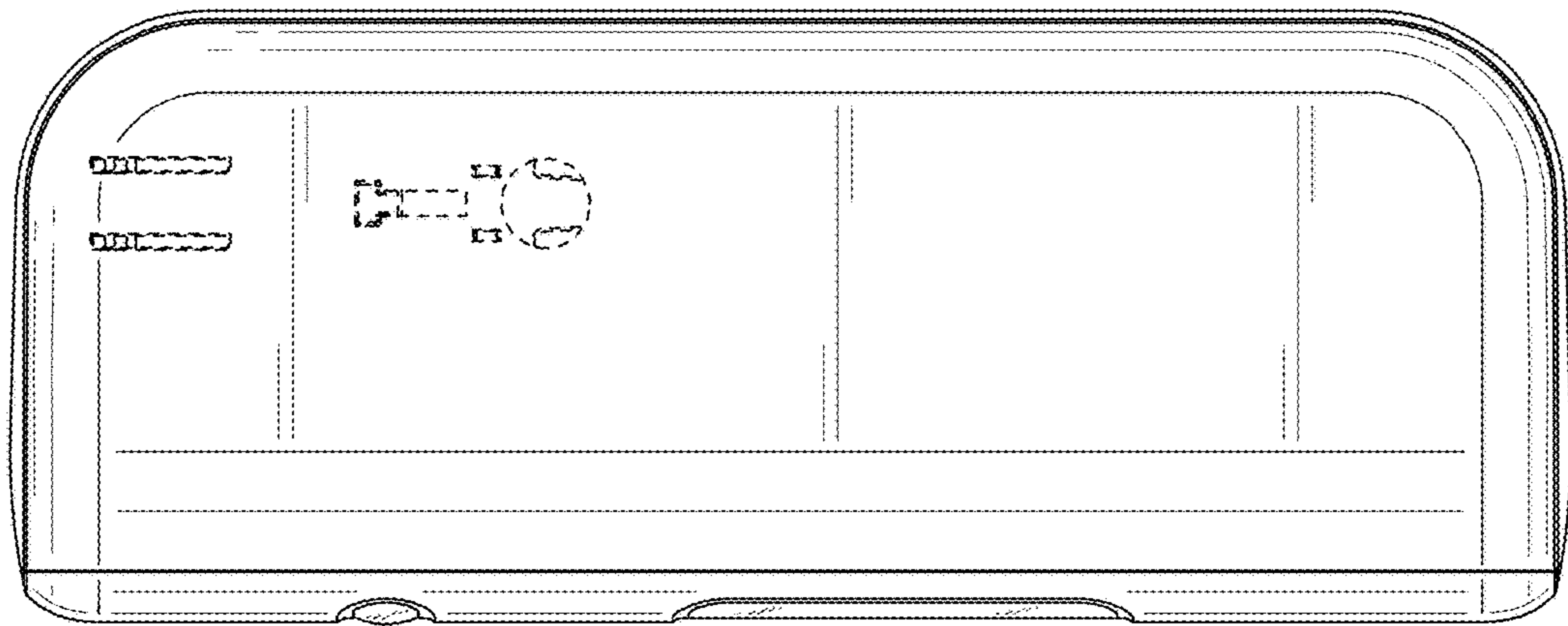


FIG. 4

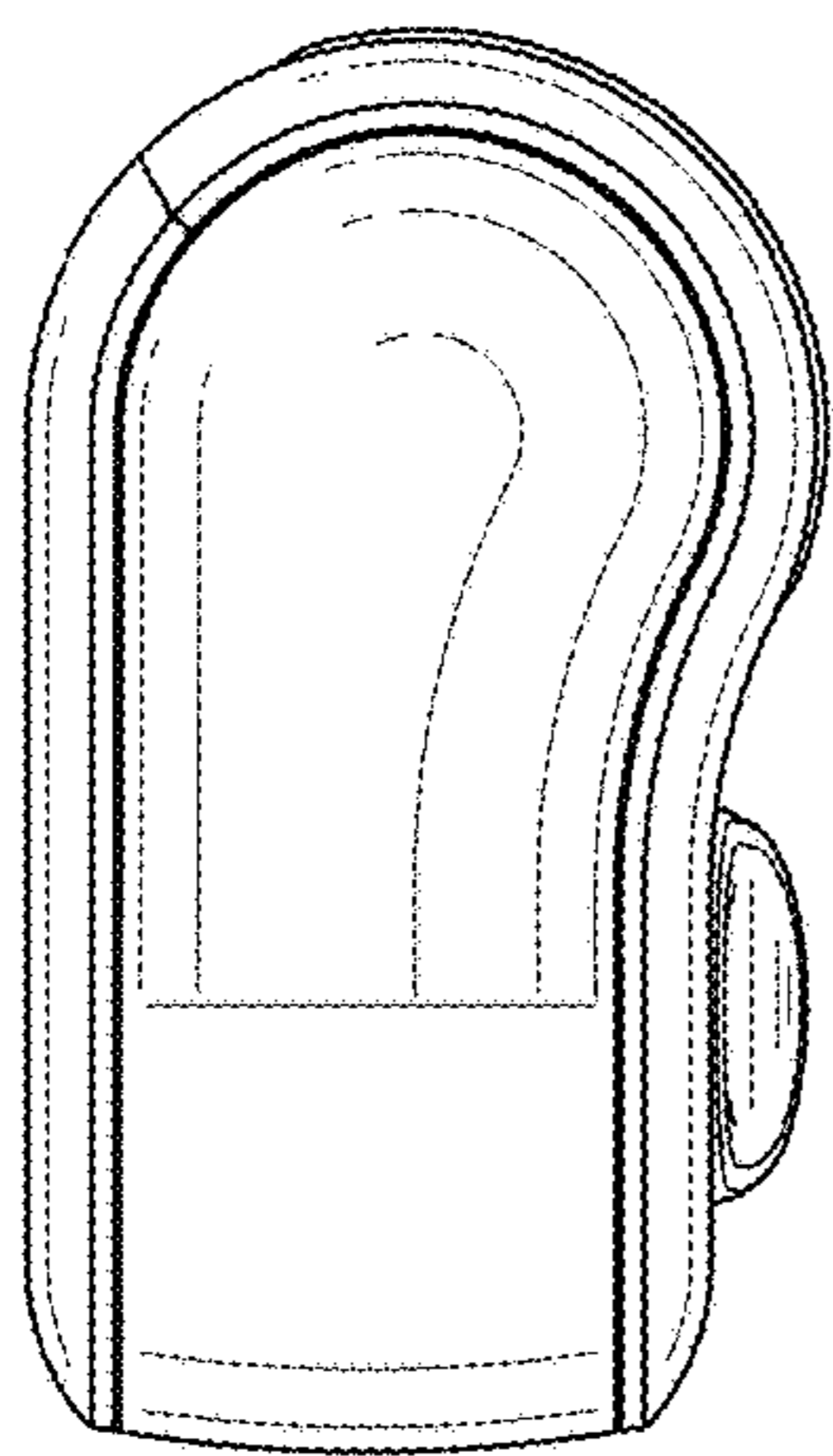


FIG. 5

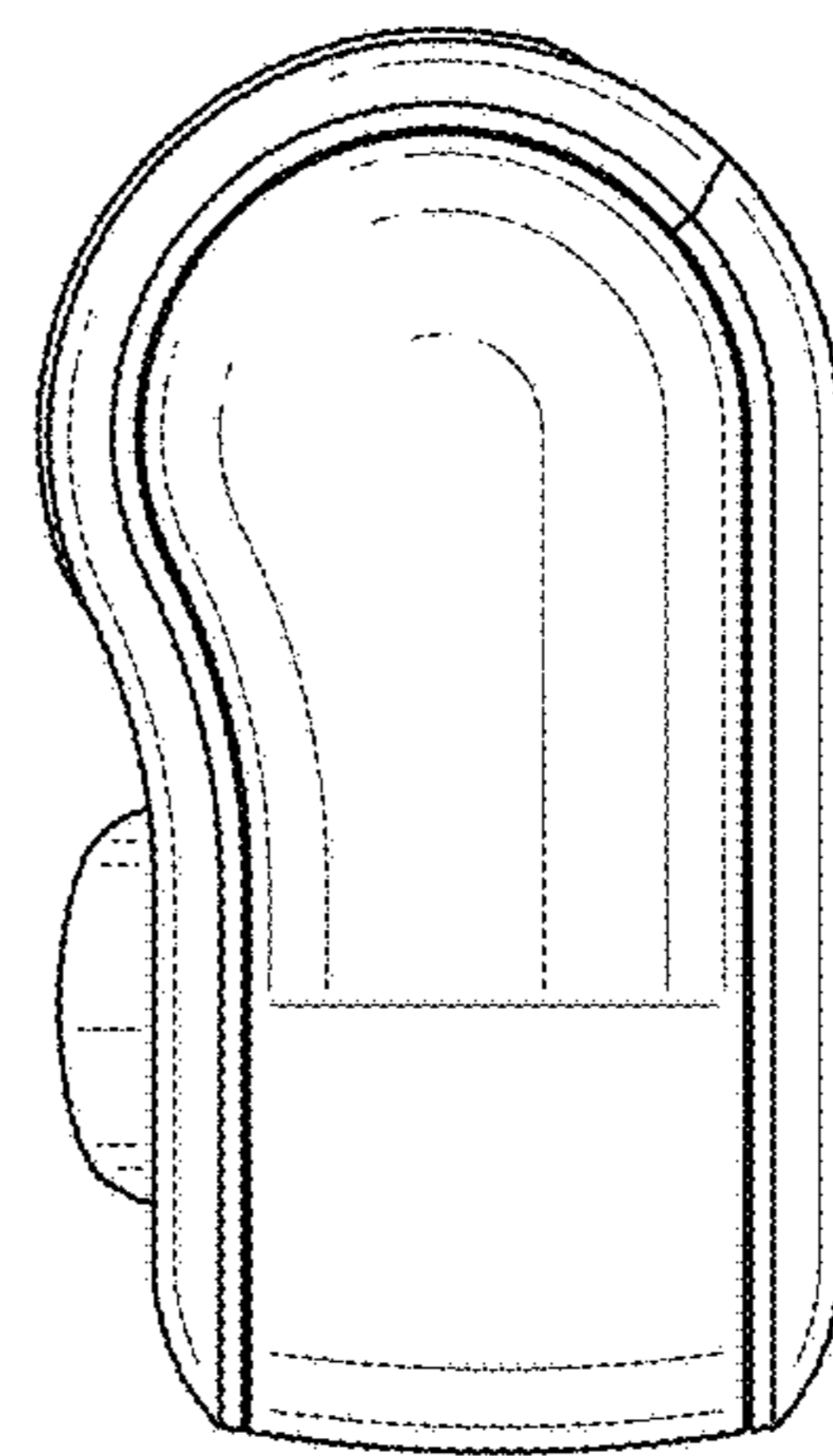


FIG. 6

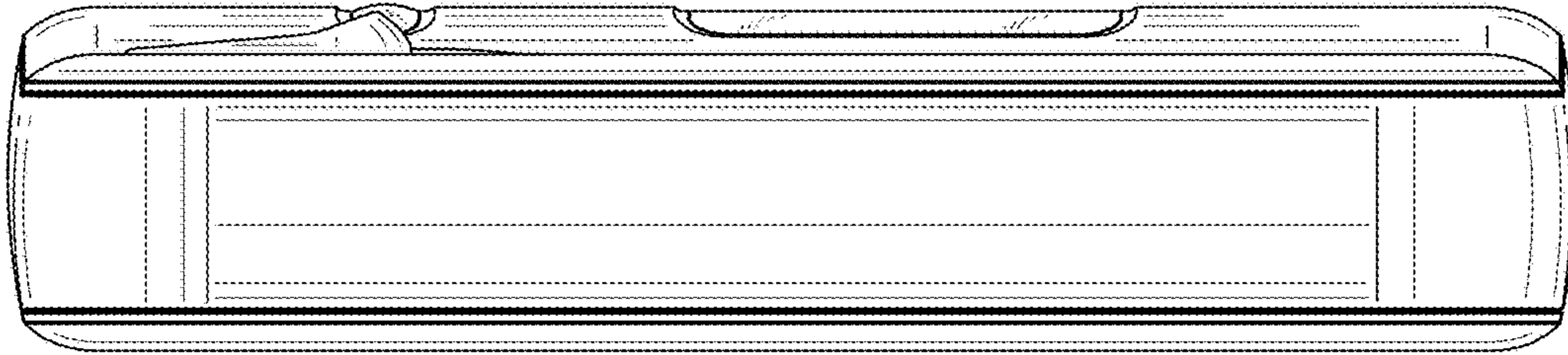


FIG. 7

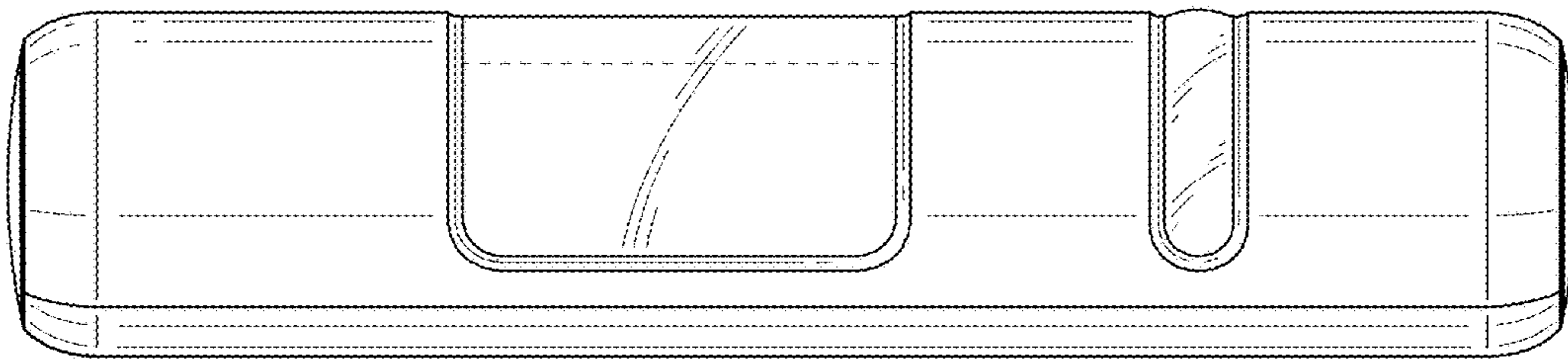


FIG. 8

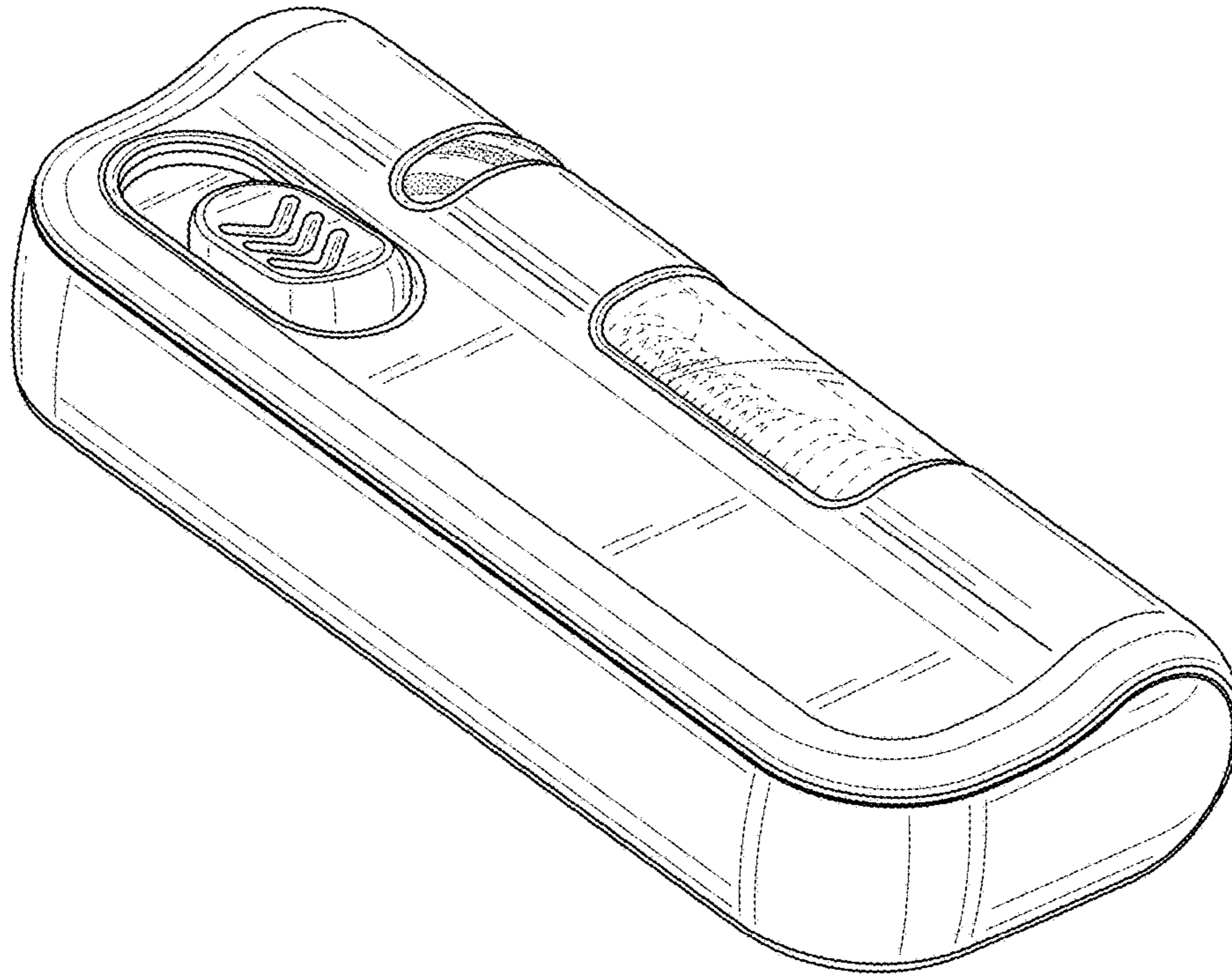


FIG. 9

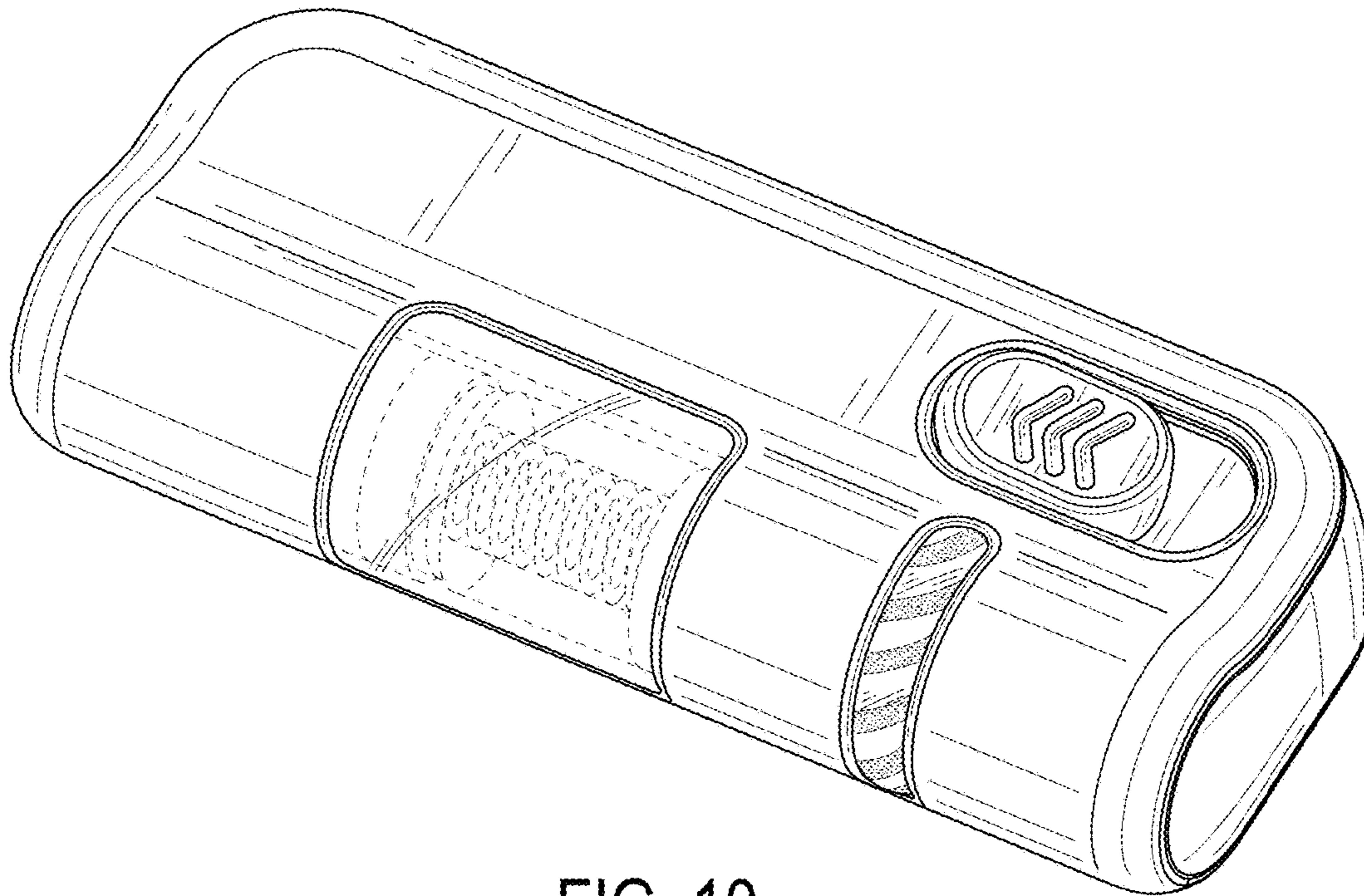


FIG. 10

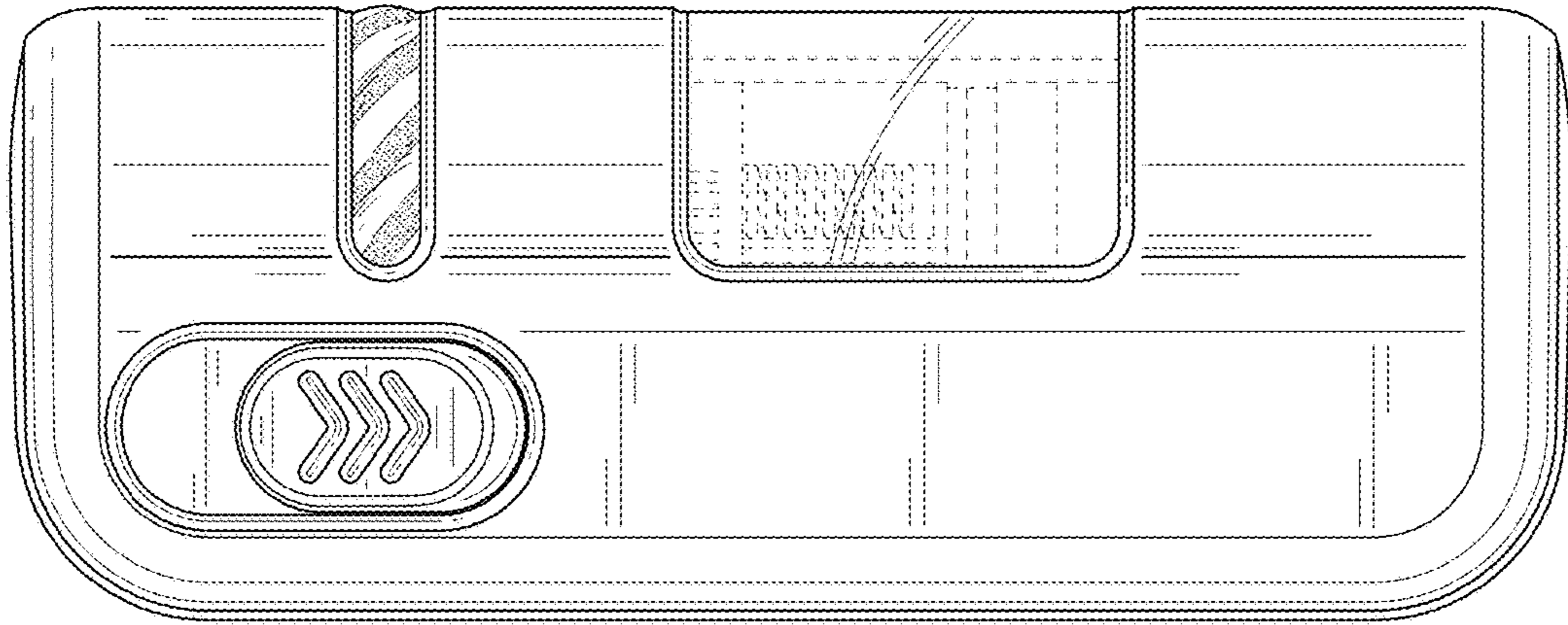


FIG. 11

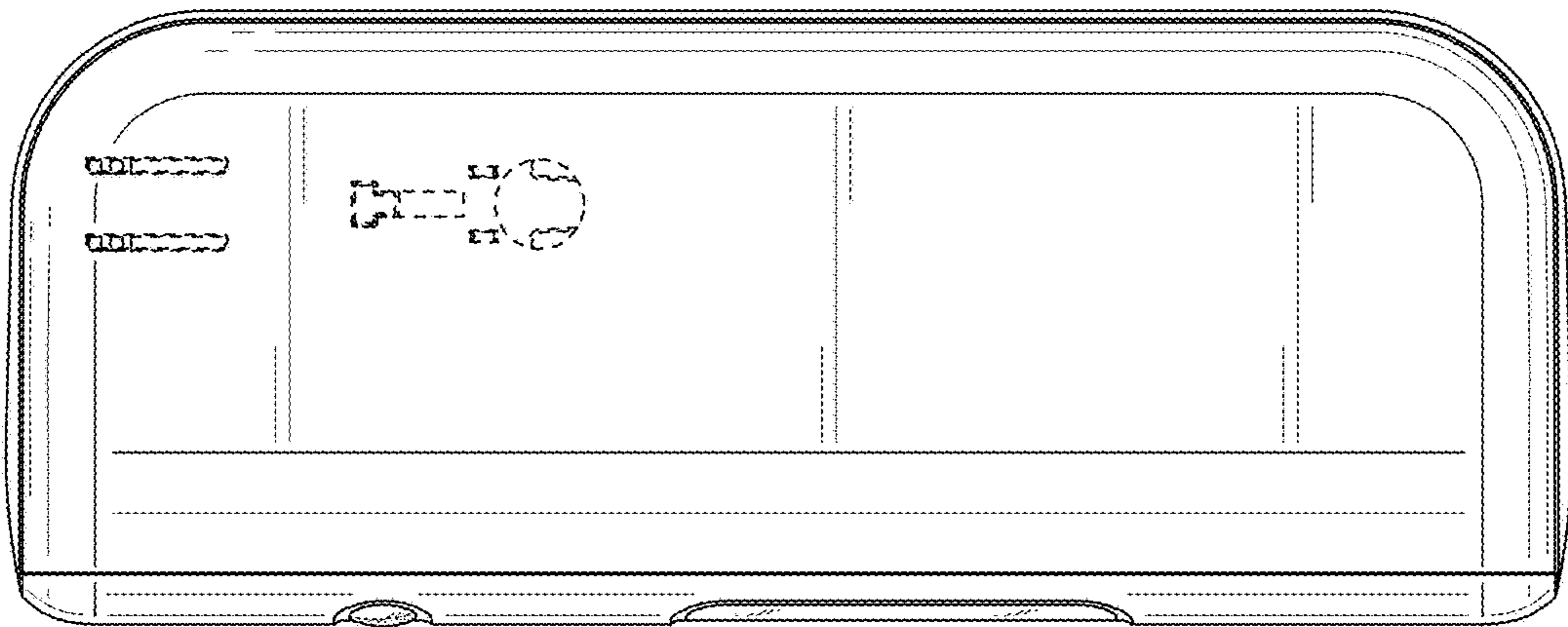


FIG. 12



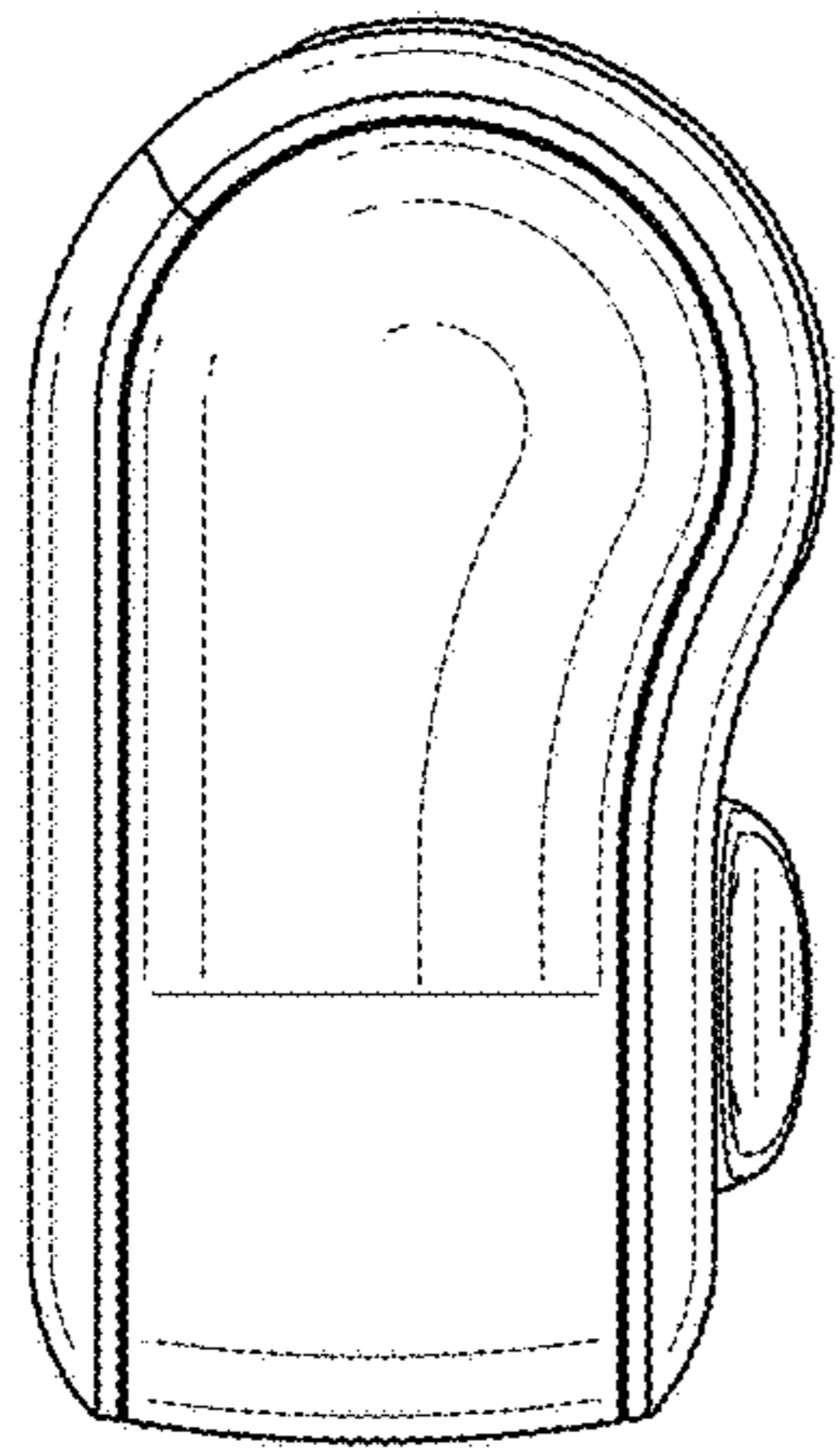


FIG. 13

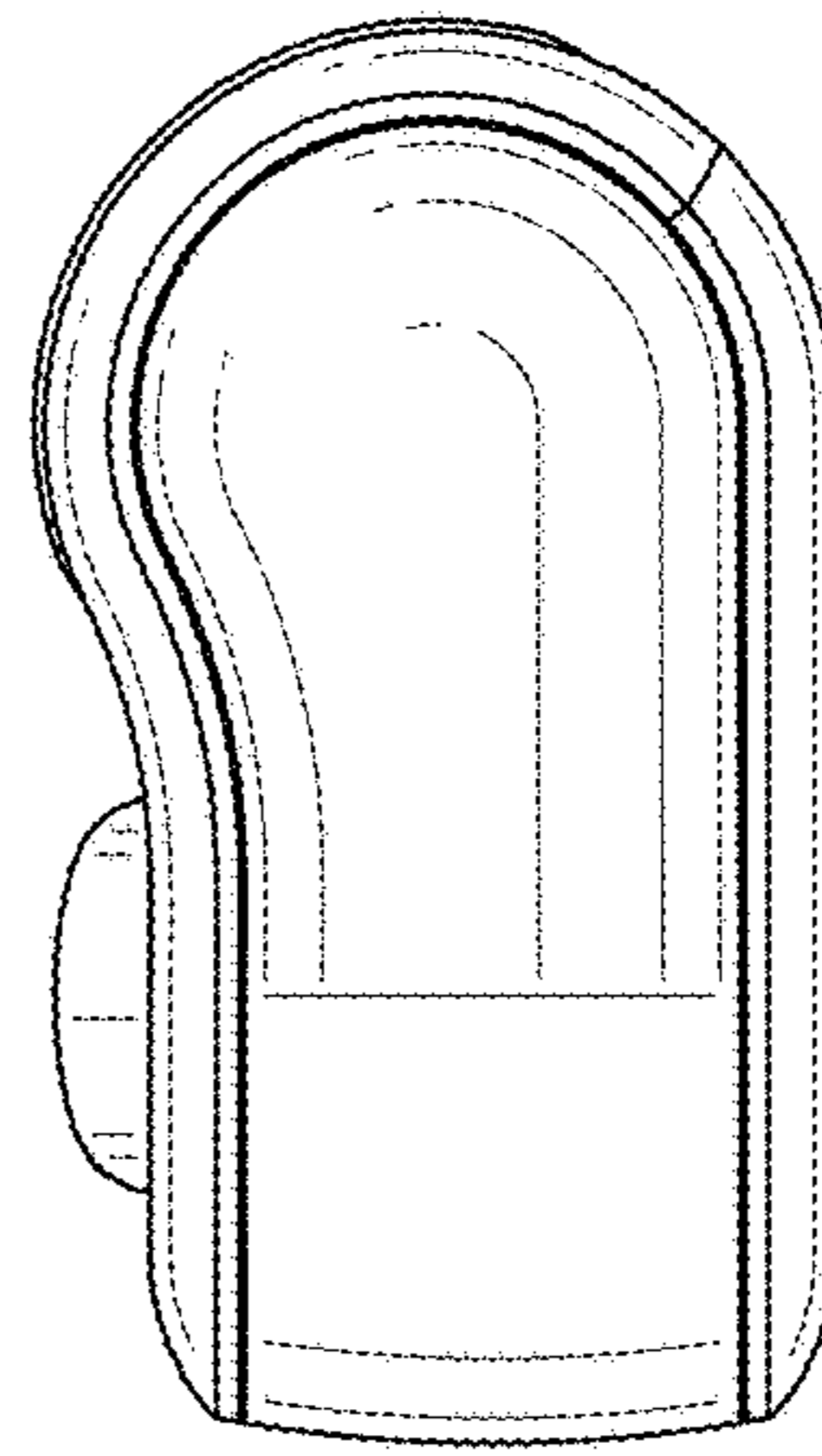


FIG. 14



FIG. 15

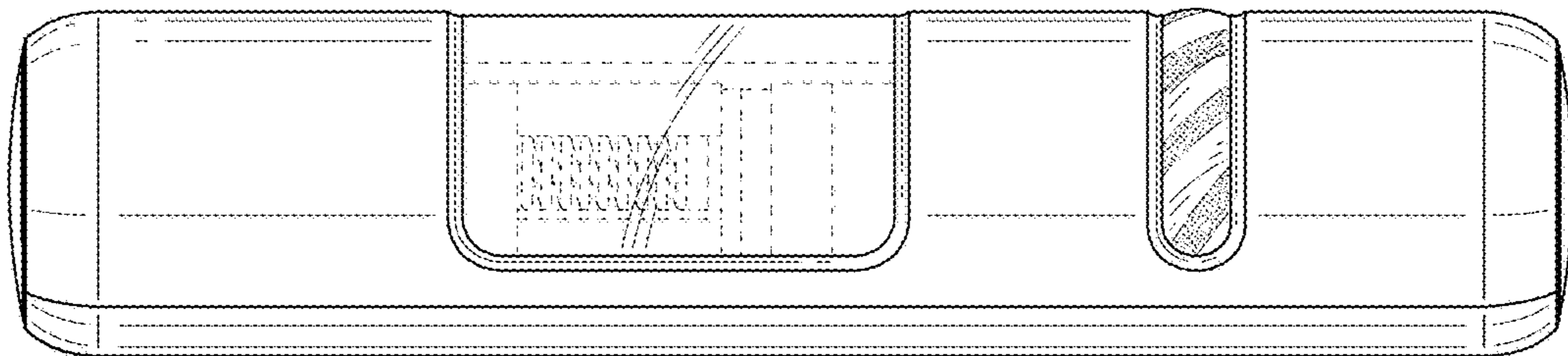


FIG. 16

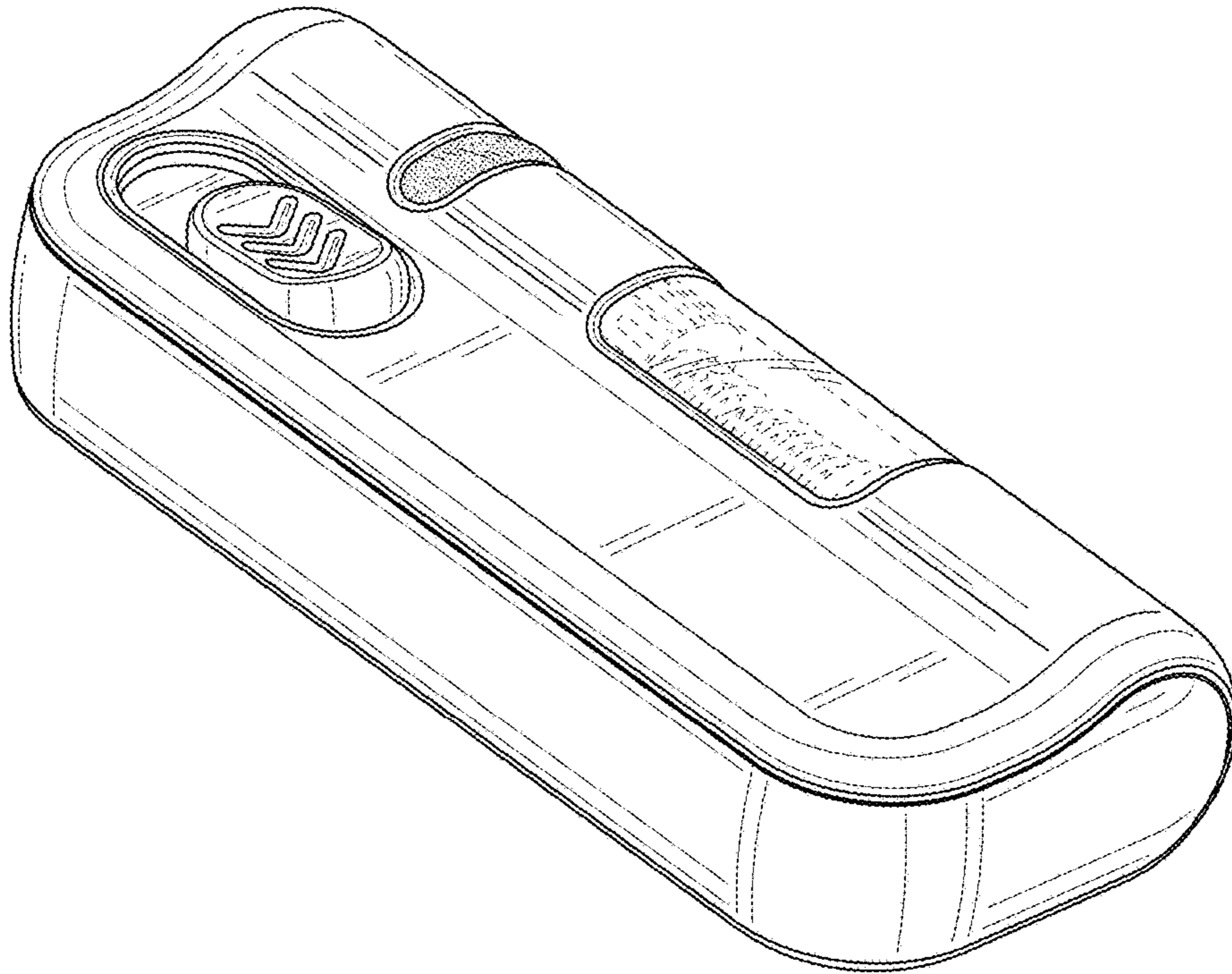


FIG. 17

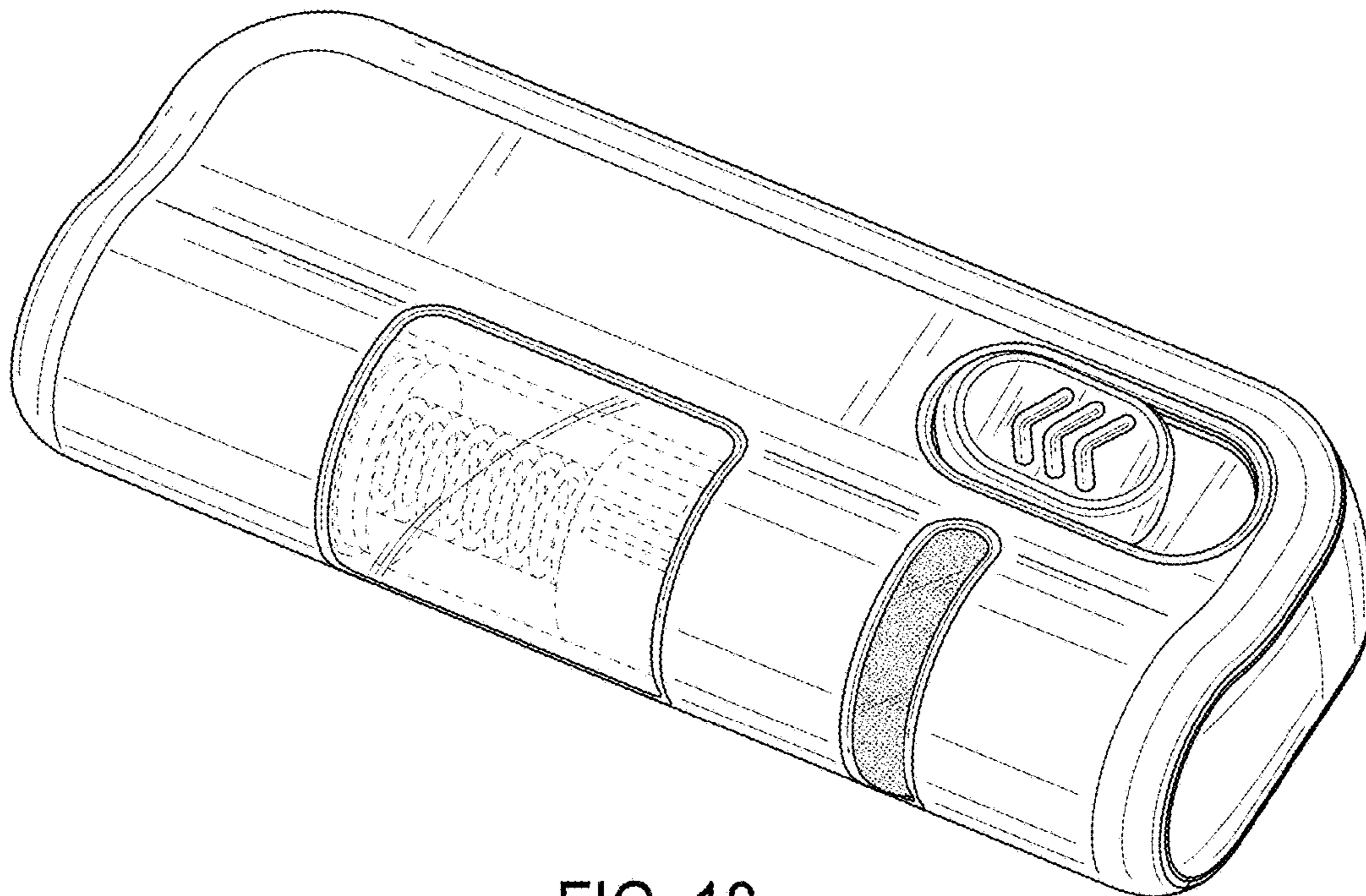


FIG. 18

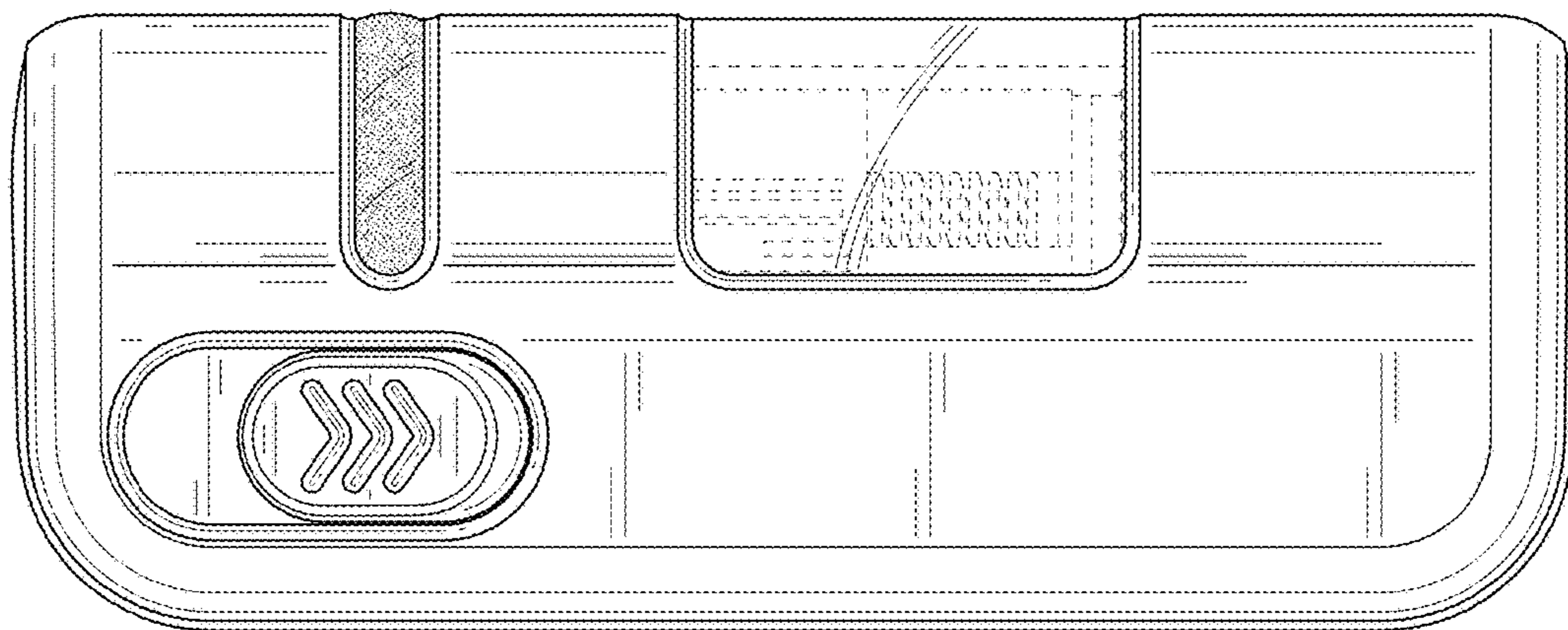


FIG. 19

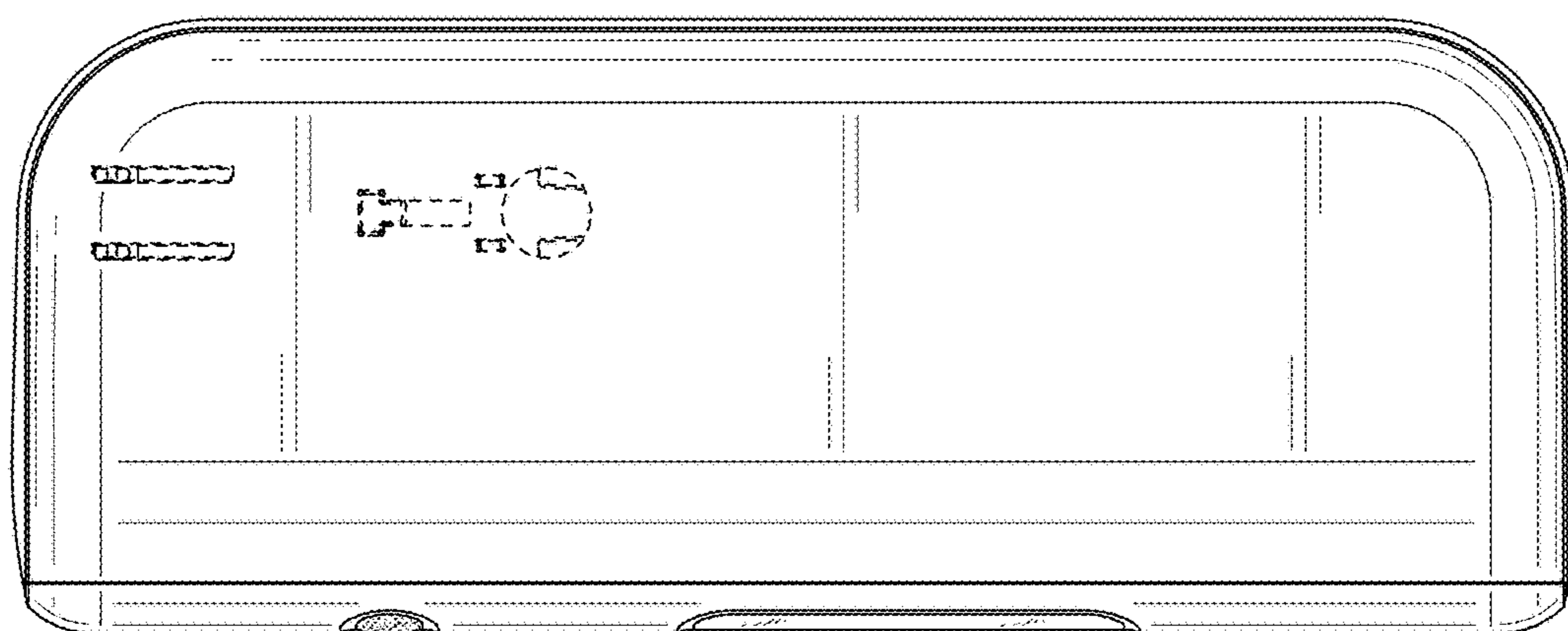


FIG. 20

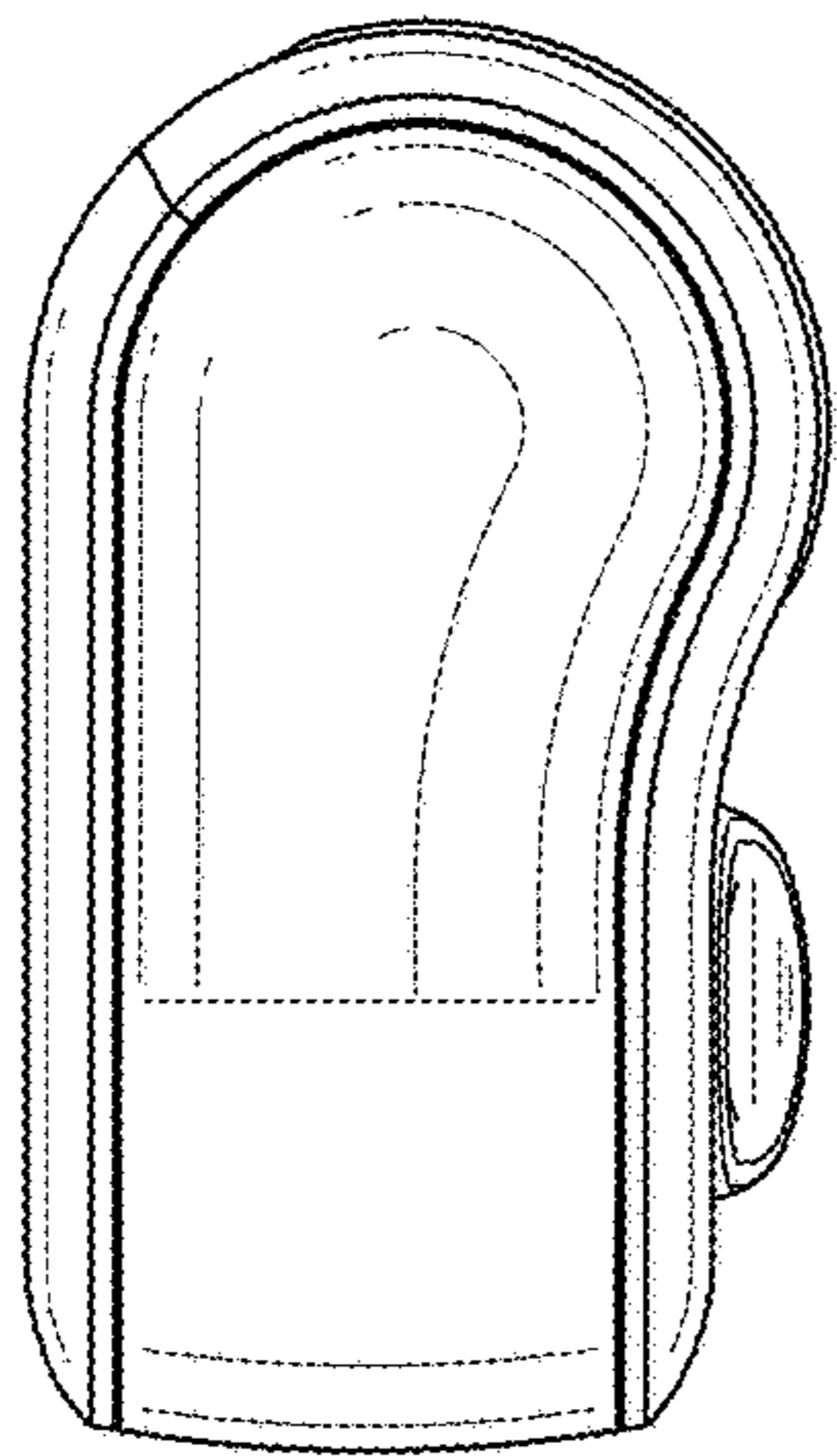


FIG. 21

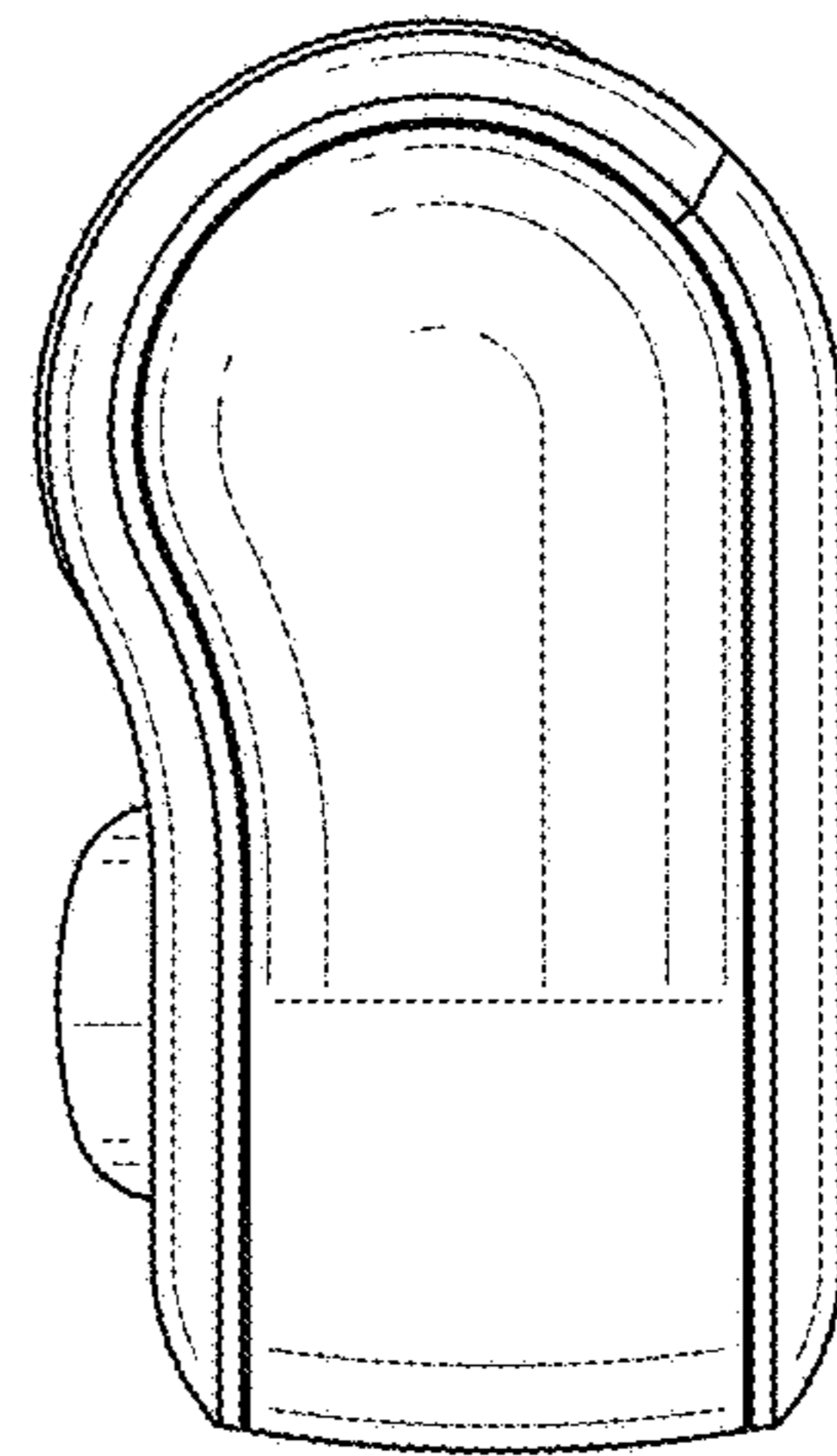


FIG. 22



FIG. 23

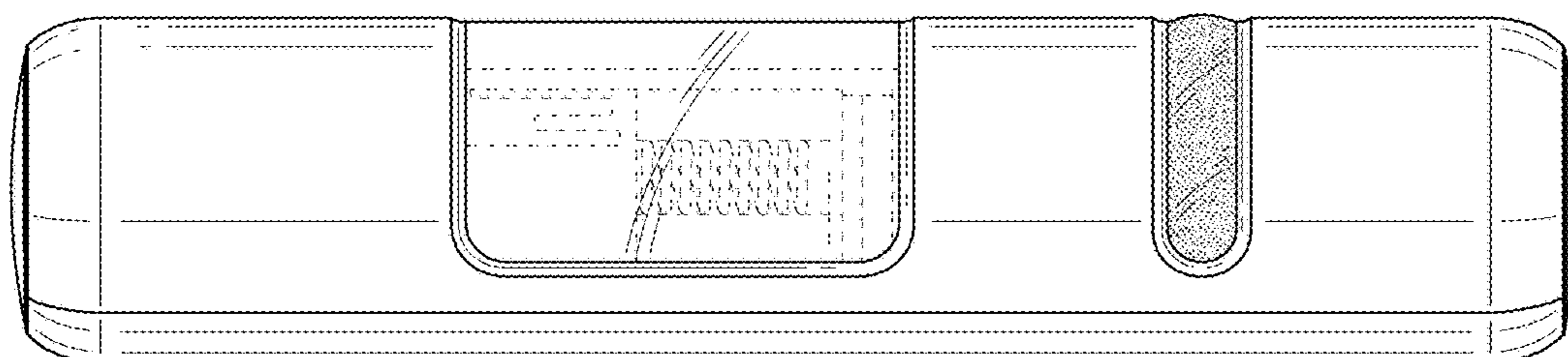


FIG. 24

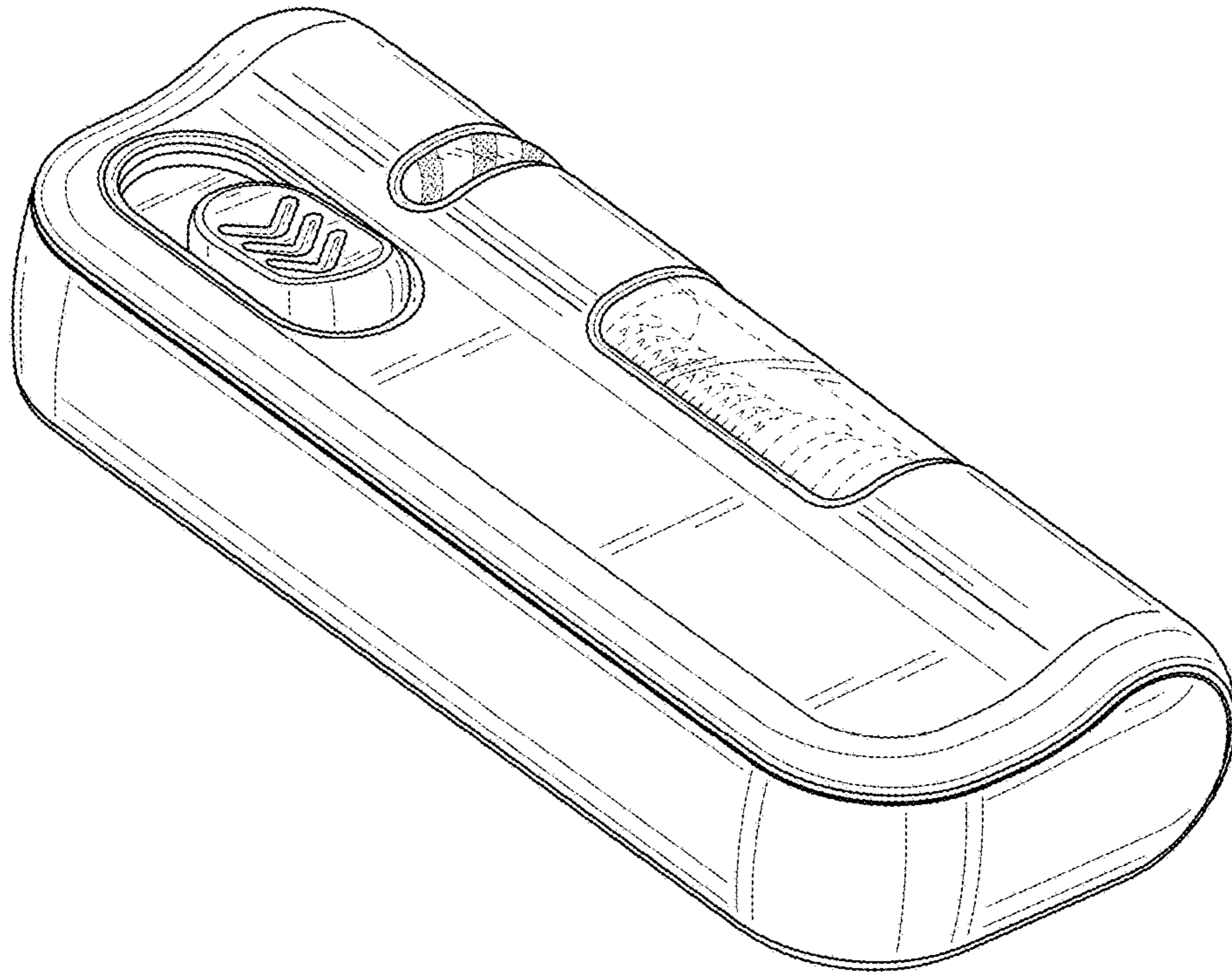


FIG. 25

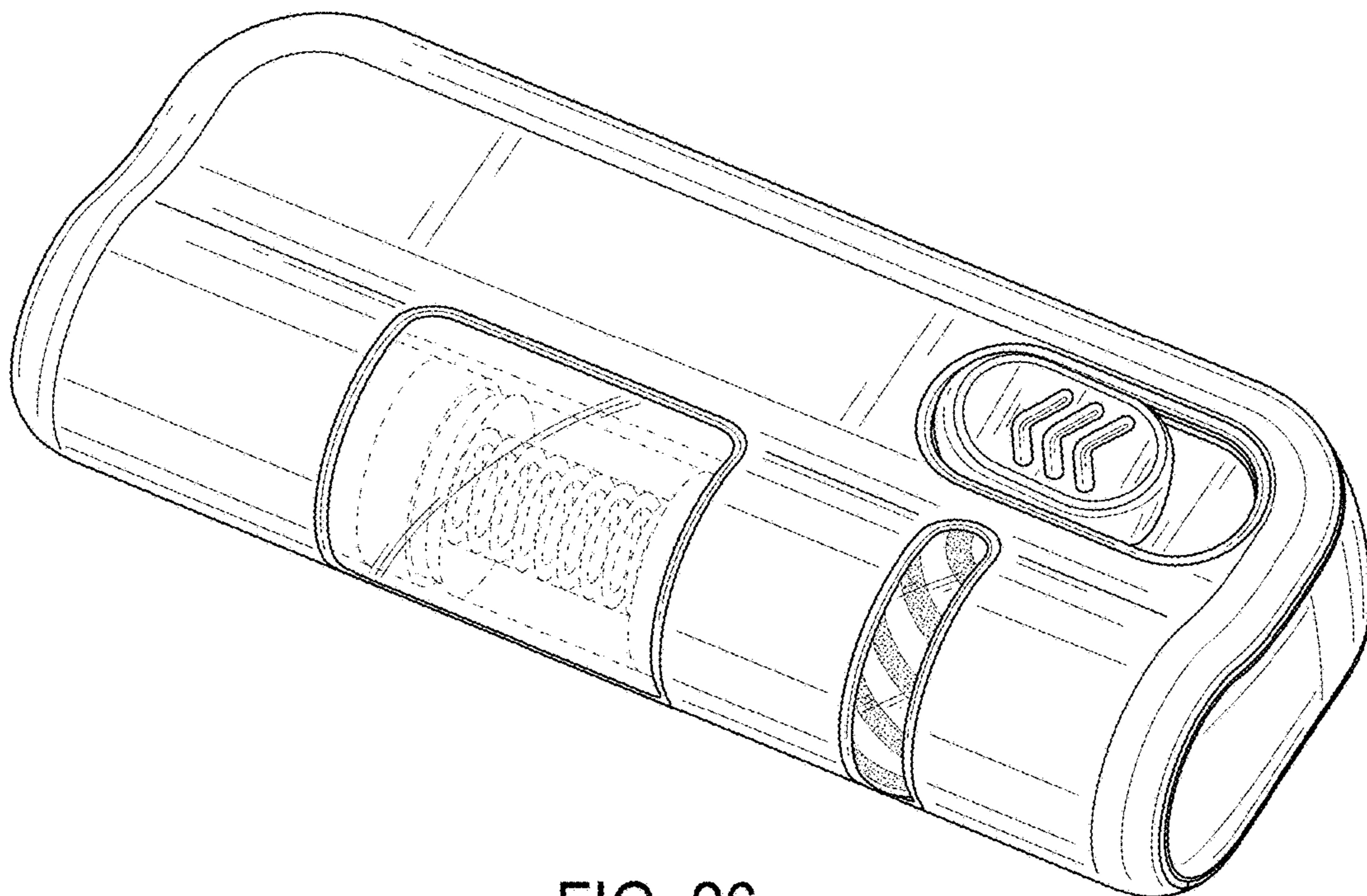


FIG. 26

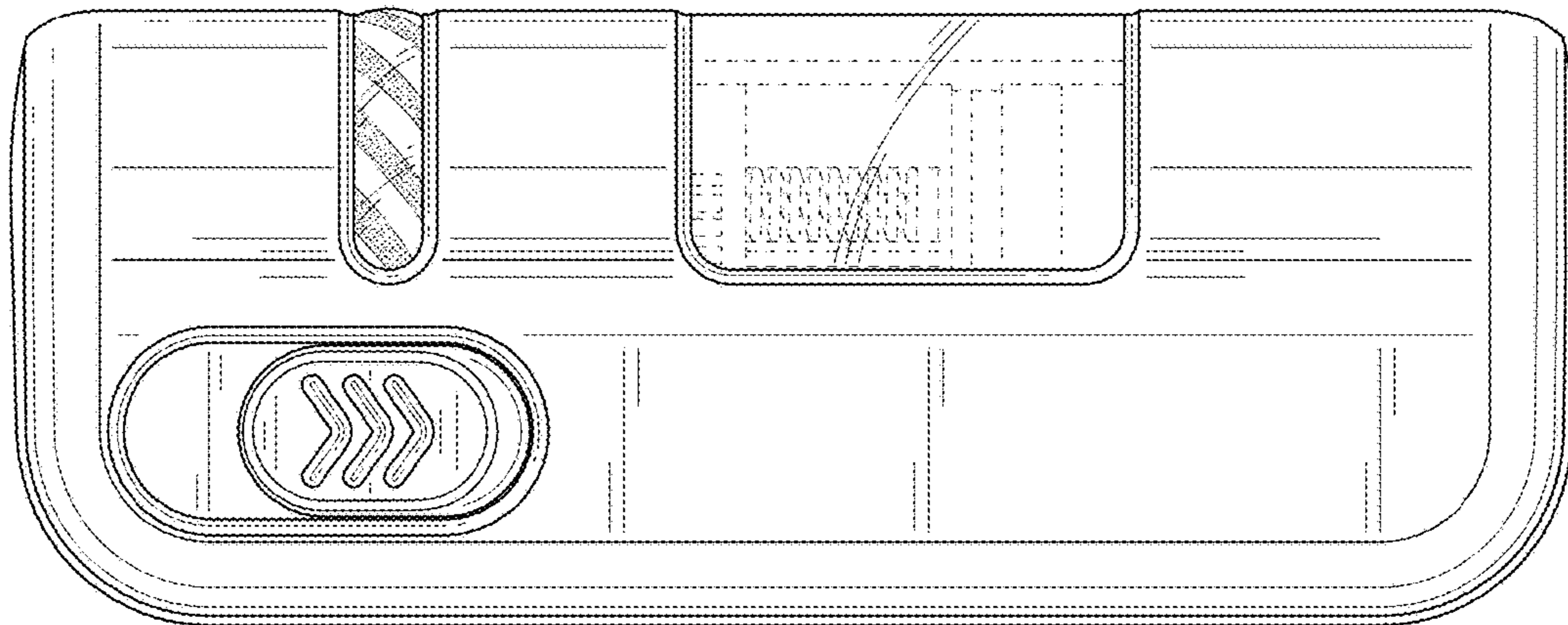


FIG. 27

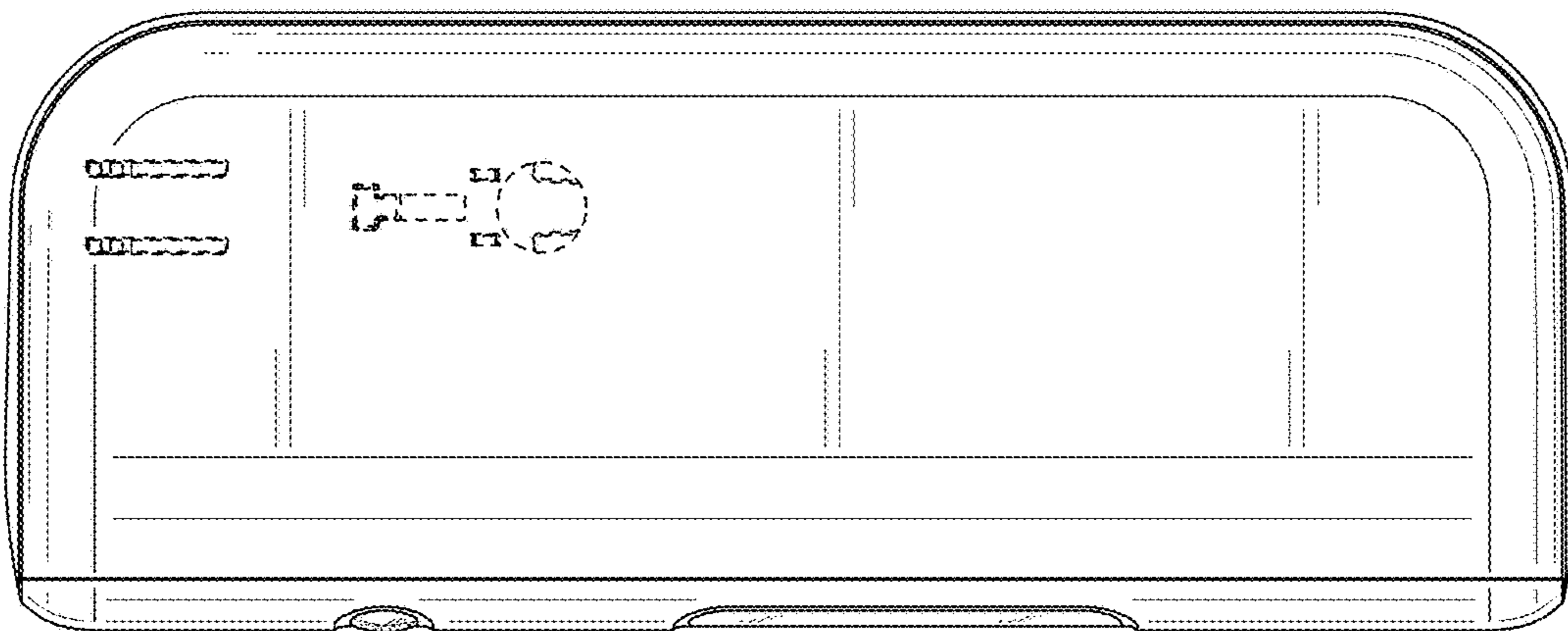


FIG. 28



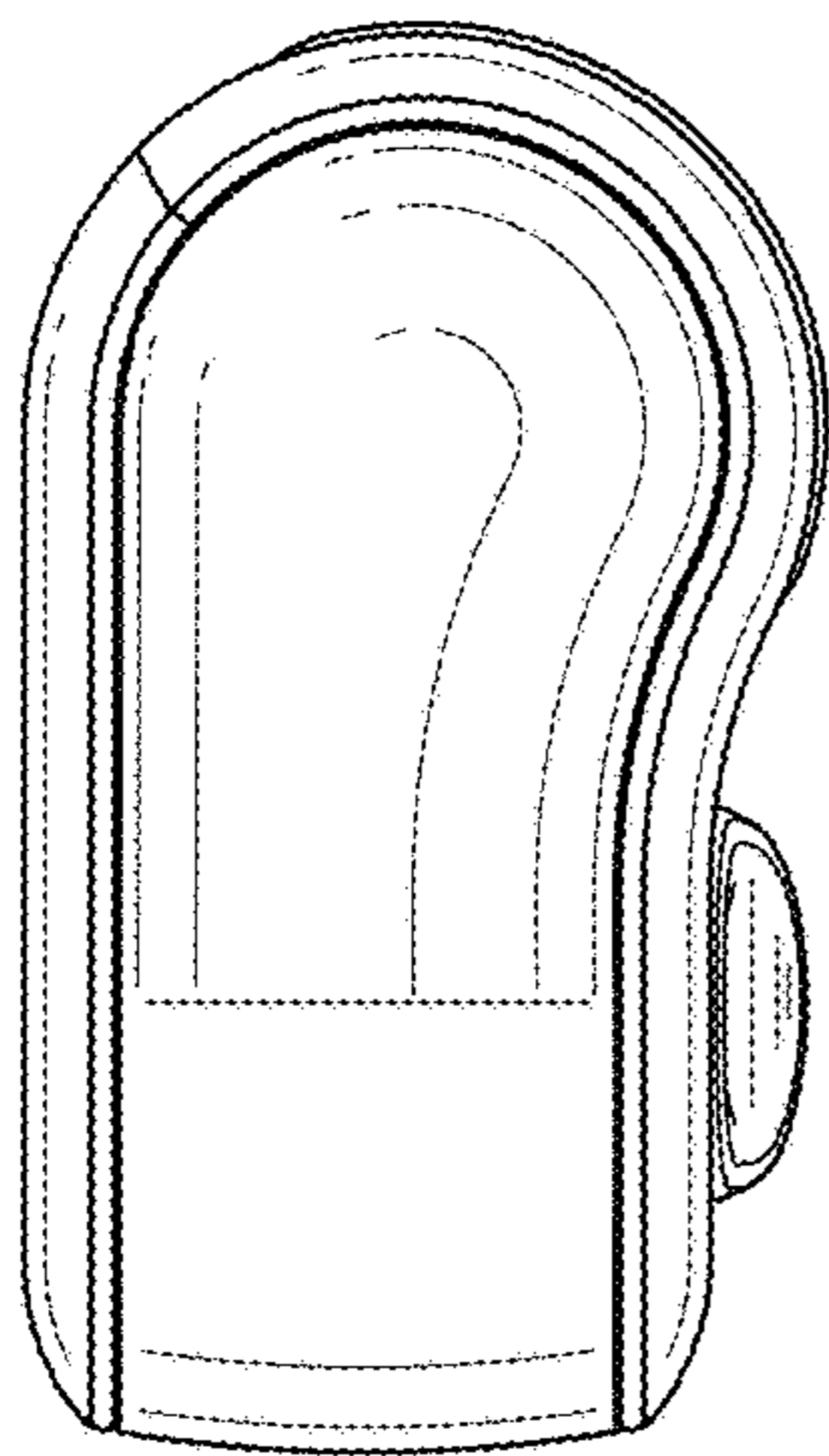


FIG. 29

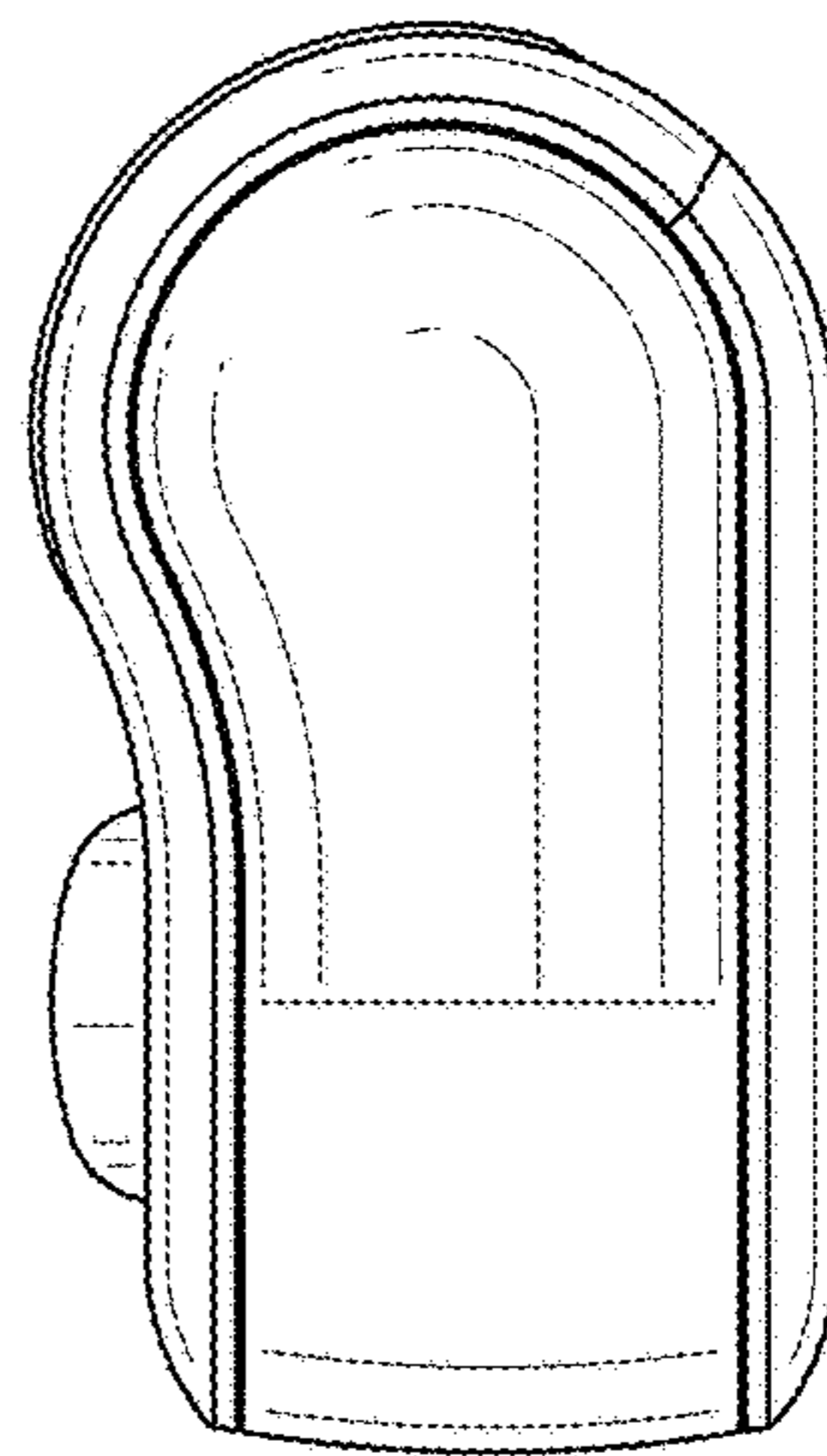


FIG. 30



FIG. 31

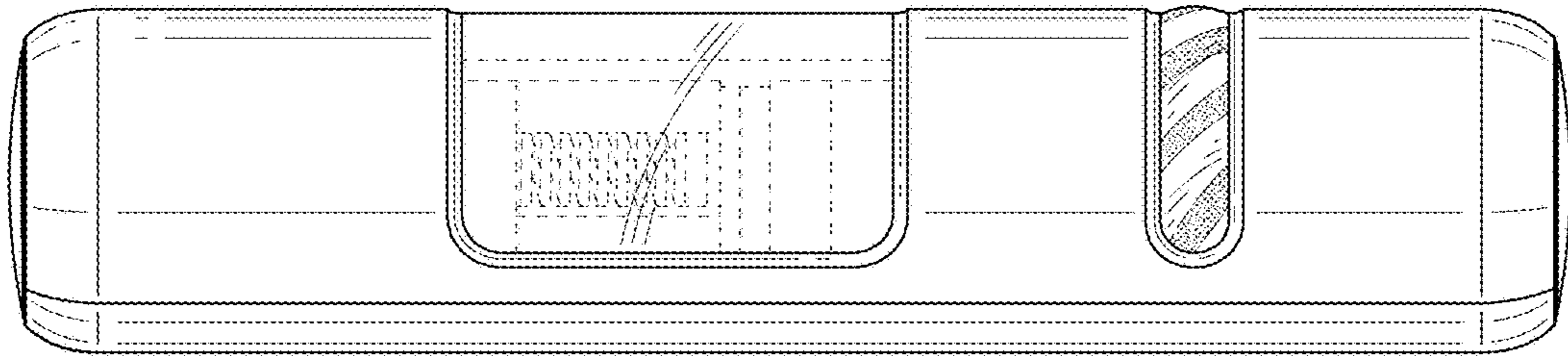


FIG. 32

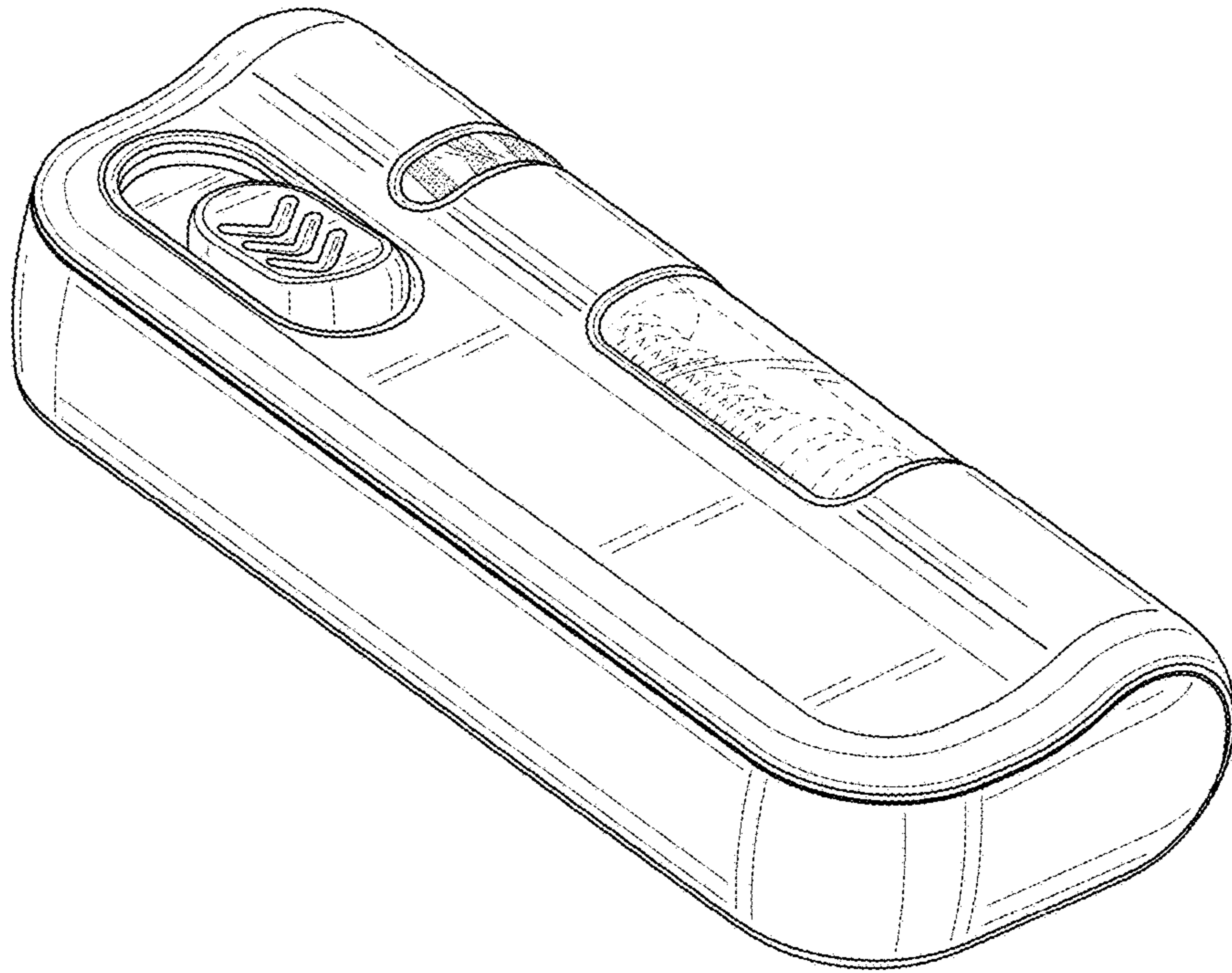


FIG. 33

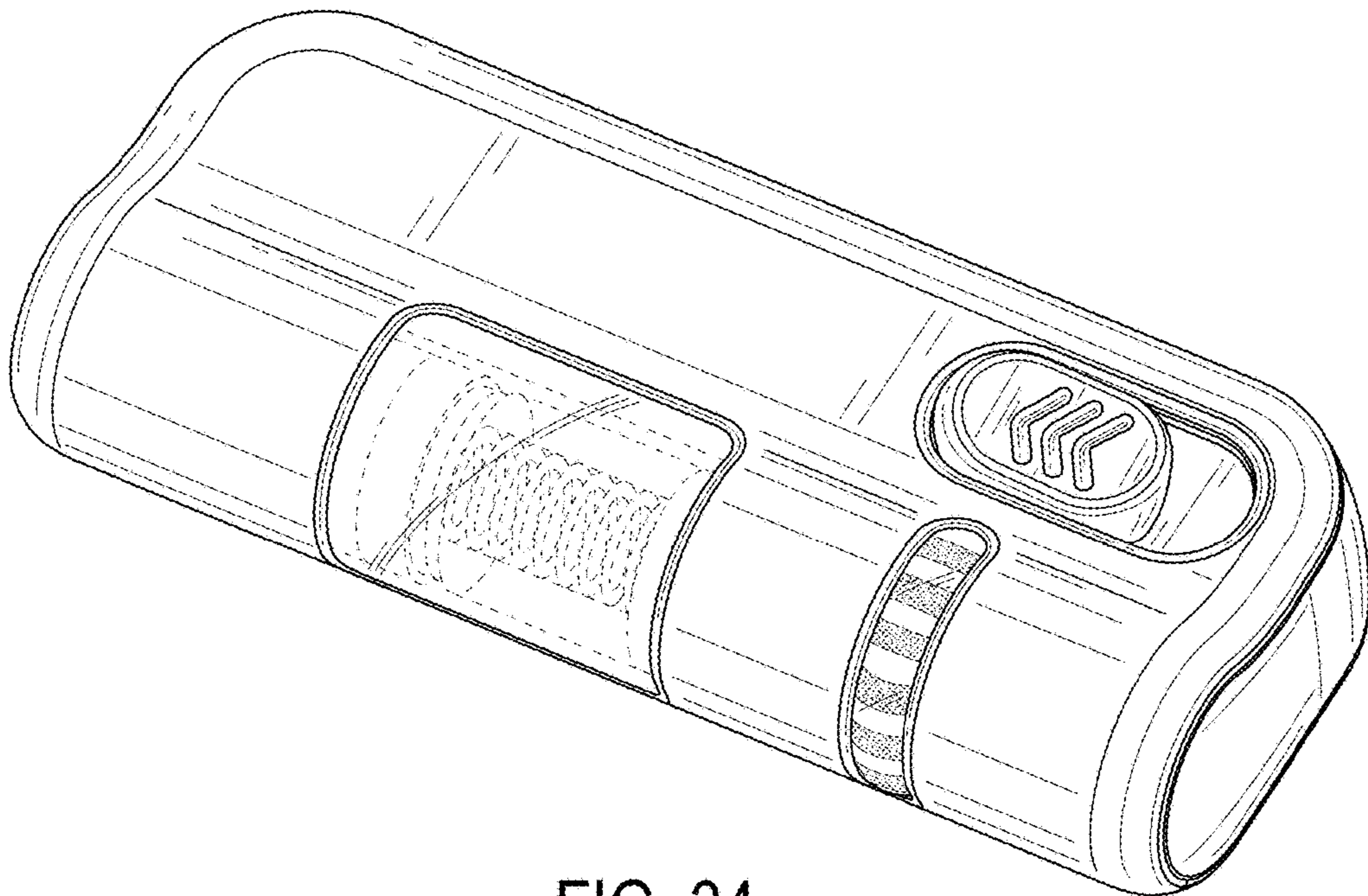


FIG. 34

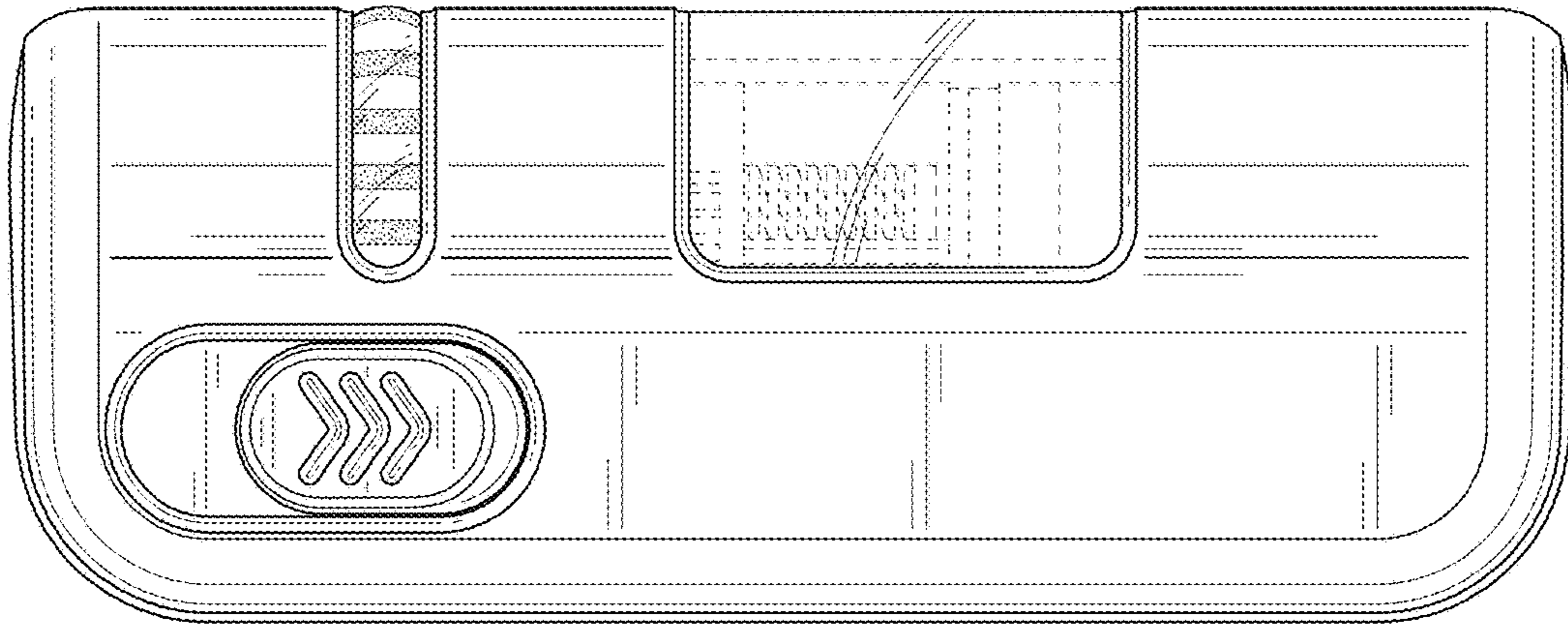


FIG. 35

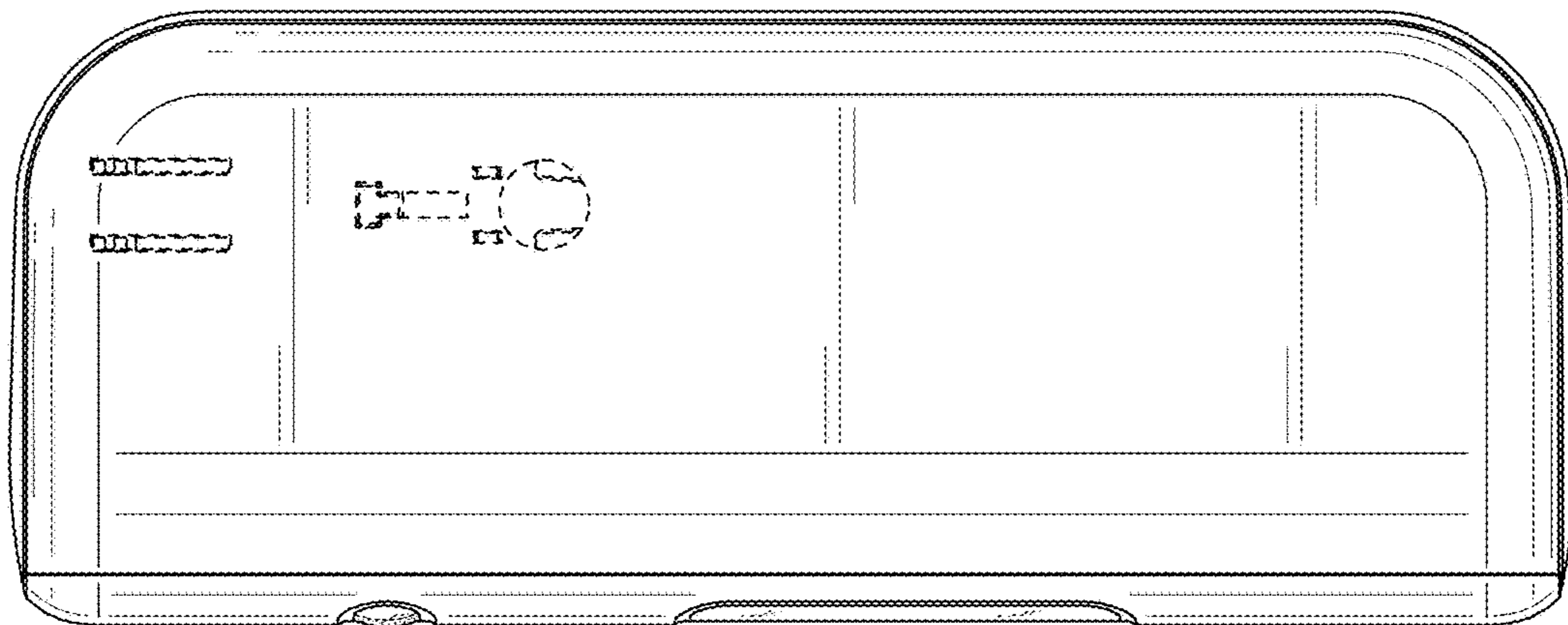


FIG. 36

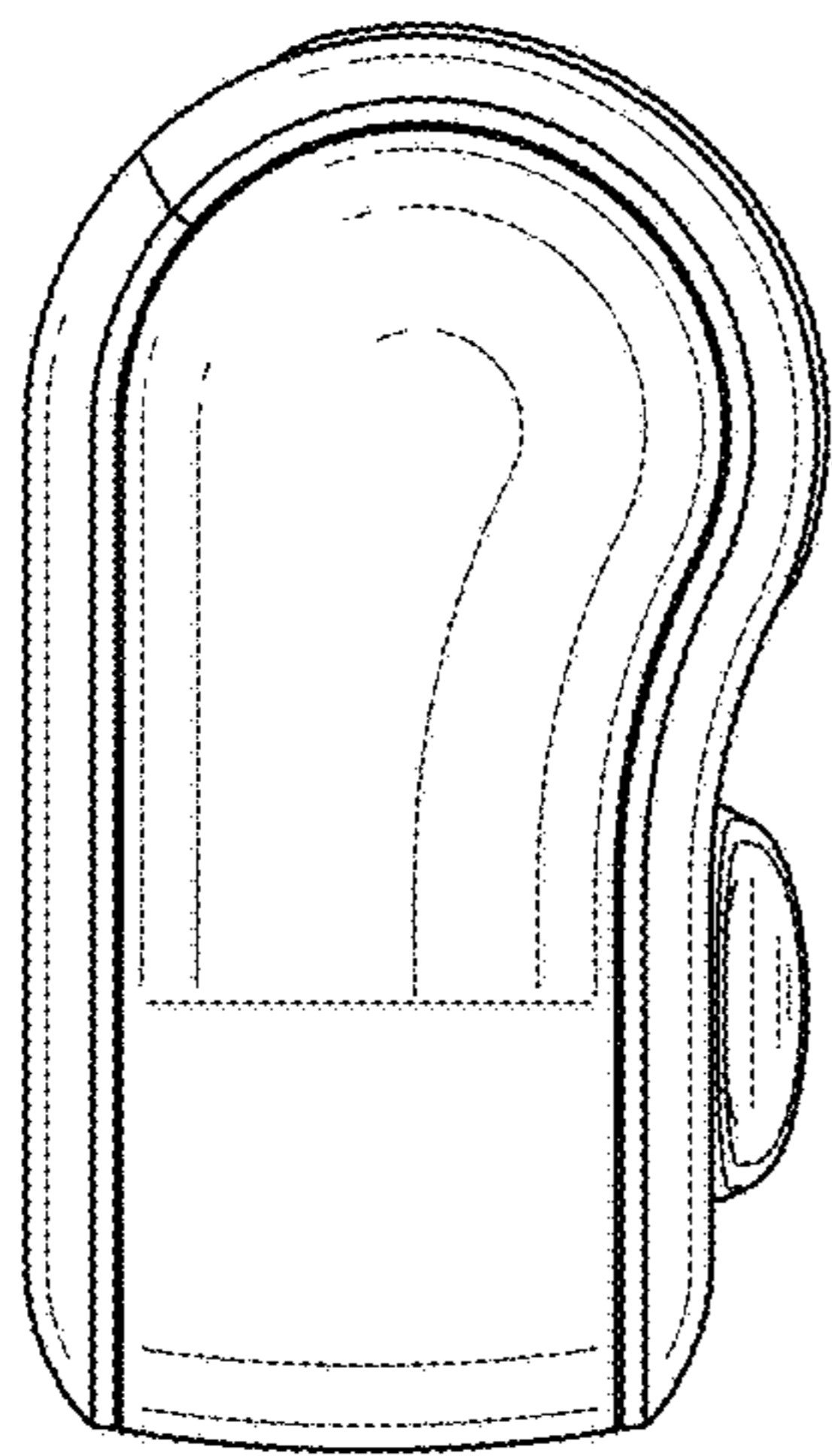


FIG. 37

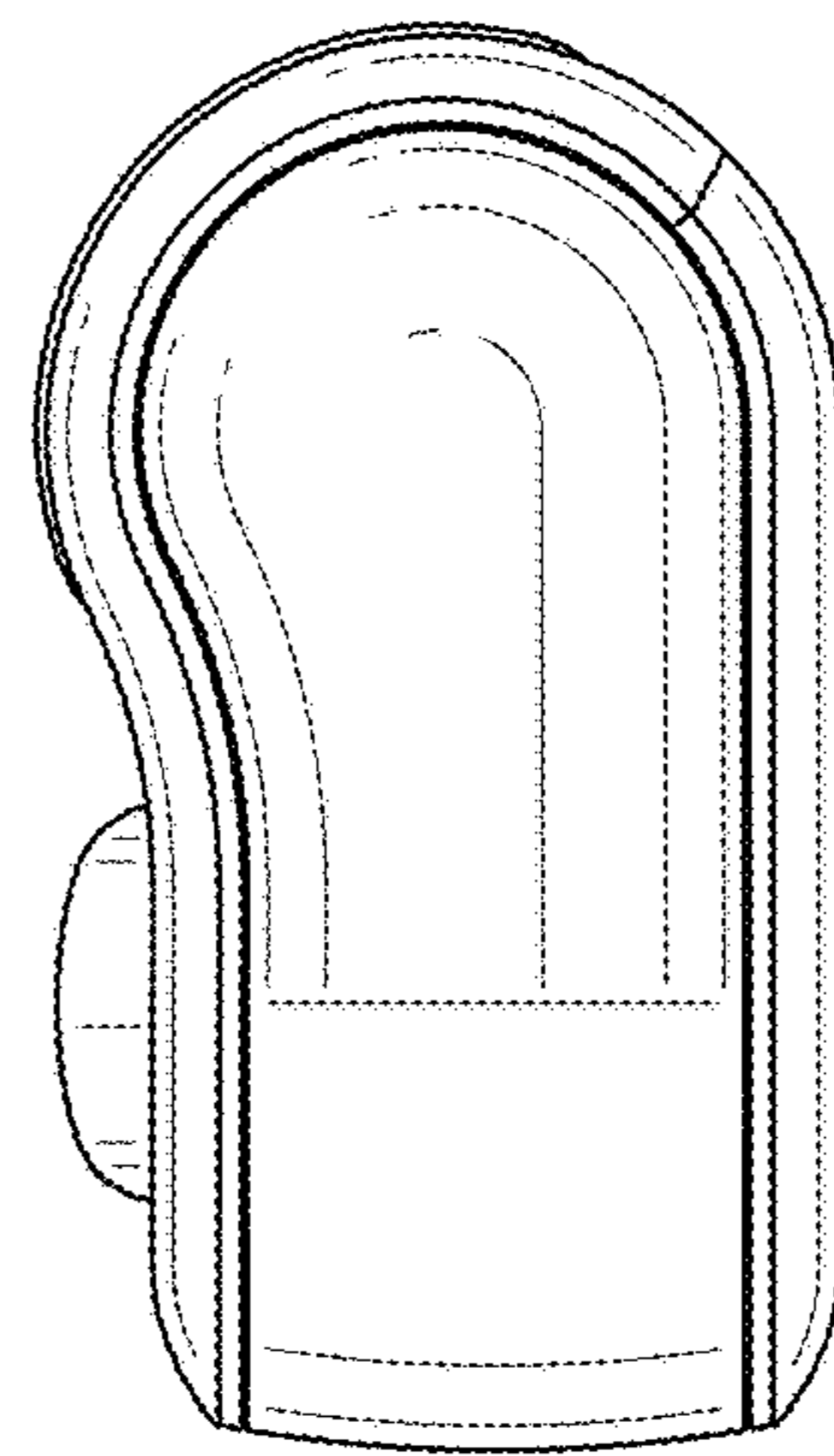


FIG. 38

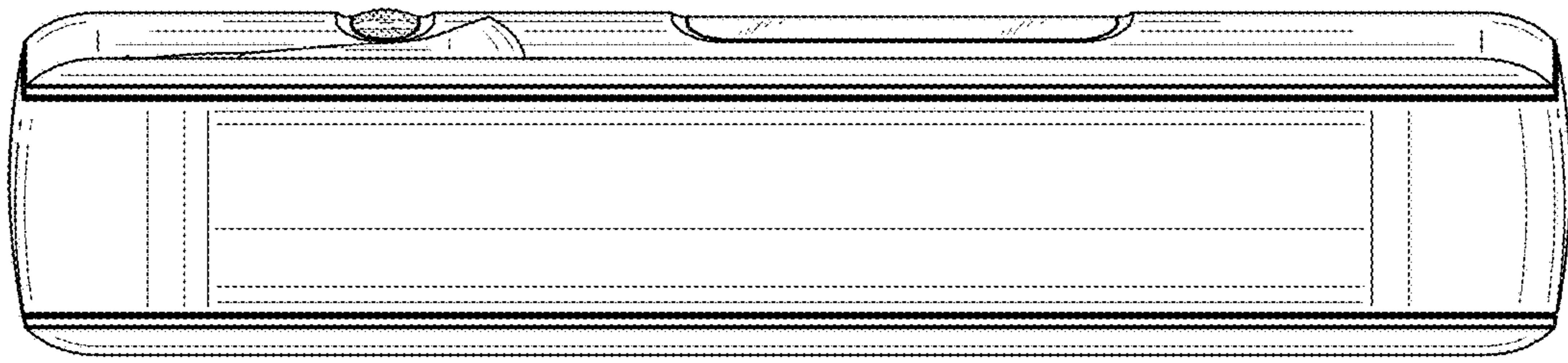


FIG. 39

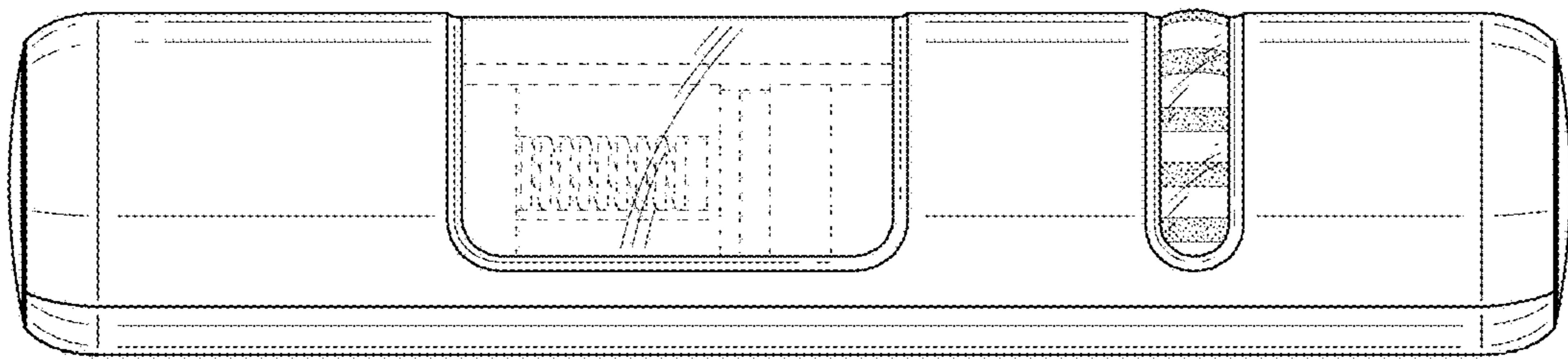


FIG. 40