



US00D794774S

(12) **United States Design Patent**
Perryman et al.

(10) **Patent No.:** **US D794,774 S**

(45) **Date of Patent:** **** Aug. 15, 2017**

(54) **STYLET HANDLE**

(71) Applicant: **Micron Devices LLC**, Miami Beach,
FL (US)

(72) Inventors: **Laura Tyler Perryman**, Scottsdale, AZ
(US); **Graham Patrick Greene**, Miami
Beach, FL (US)

(73) Assignee: **Micron Devices LLC**, Miami Beach,
FL (US)

(**) Term: **14 Years**

(21) Appl. No.: **29/490,658**

(22) Filed: **May 12, 2014**

(51) **LOC (10) Cl.** **24-02**

(52) **U.S. Cl.**
USPC **D24/112**

(58) **Field of Classification Search**
USPC D24/112-114, 108, 130, 127, 133, 186;
606/181, 185; 604/264, 523-528, 272,
604/164.01-164.11, 187, 93.01; 600/101,
600/139, 143; 128/200.24, 207.14,
128/207.15
CPC A61M 25/00; A61M 39/00; A61M 27/00;
A61M 25/0043; A61M 25/0067; A61M
25/0097; A61F 2/958
See application file for complete search history.

(56) **References Cited**

U.S. PATENT DOCUMENTS

D355,970 S *	2/1995	Monthony	D24/130
D419,237 S *	1/2000	Priebe	D24/130
D585,547 S *	1/2009	Bisleri	D24/133
D637,287 S *	5/2011	Mudd	D24/133
D679,391 S *	4/2013	Chinowsky	D24/127
D693,003 S *	11/2013	Wang	D24/130

D696,774 S *	12/2013	Guarraia	D24/113
D732,161 S *	6/2015	Ohashi	D24/113
2004/0249307 A1 *	12/2004	Thompson	A61B 10/0275 600/568
2006/0224083 A1 *	10/2006	Clifford	A61B 10/0266 600/564
2007/0232955 A1 *	10/2007	Burbank	A61B 10/0275 600/565
2008/0125791 A1 *	5/2008	Gellman	A61B 17/00234 606/108
2014/0228769 A1 *	8/2014	Karlsson	A61M 5/2033 604/197

* cited by examiner

Primary Examiner — David Muller

(74) *Attorney, Agent, or Firm* — Fish & Richardson P.C.

(57) **CLAIM**

We claim the ornamental design for a stylet handle, as shown and described.

DESCRIPTION

FIG. 1 is a top, front, left perspective view of the claimed design;

FIG. 2 is a front elevation view thereof;

FIG. 3 is a rear elevation view thereof;

FIG. 4 is a left elevation view thereof;

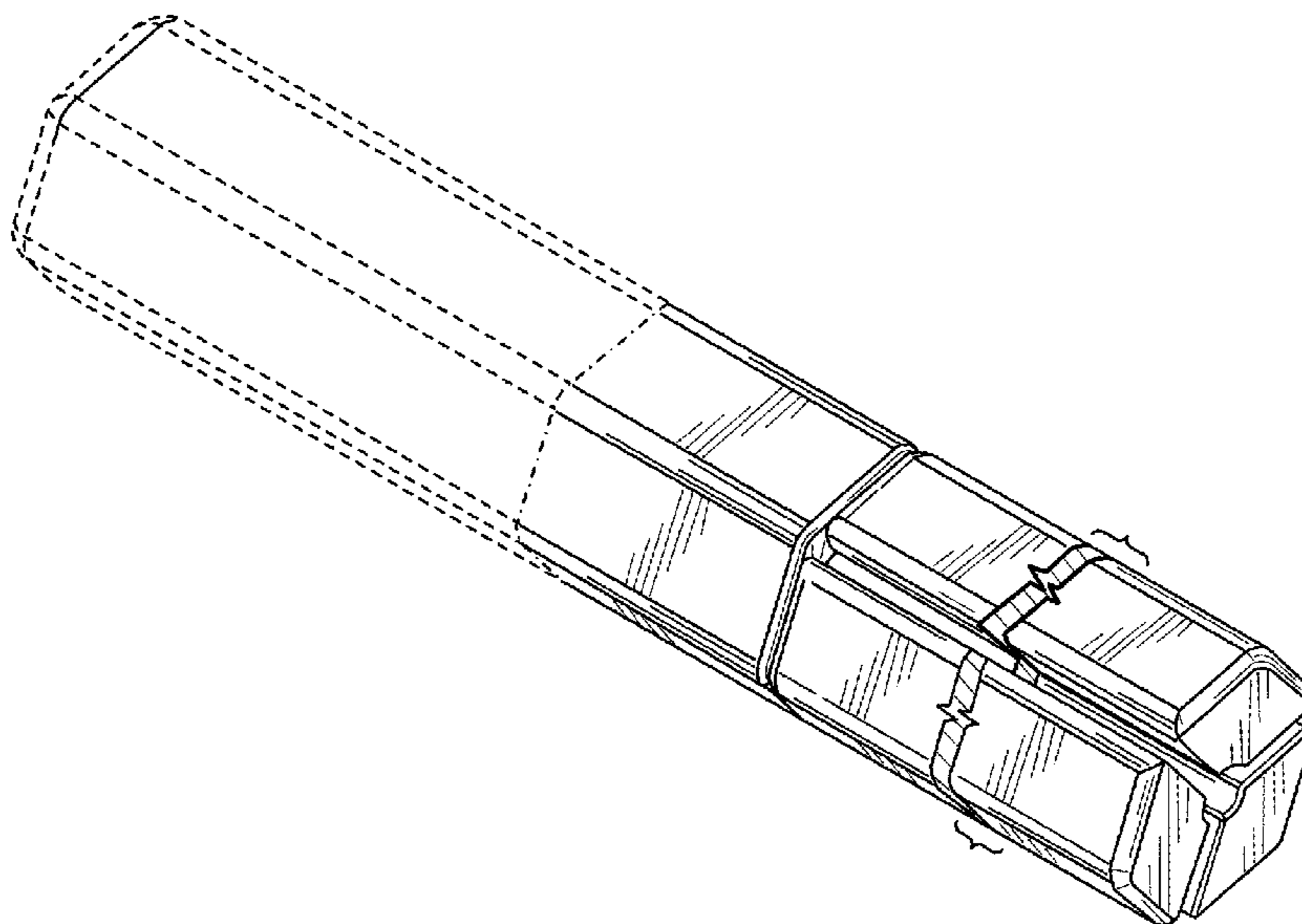
FIG. 5 is a right elevation view thereof;

FIG. 6 is a top plan view thereof; and,

FIG. 7 is a bottom plan view thereof.

The broken lines in the drawings form no part of the claimed design. Broken lines formed by equal length dashes show unclaimed subject matter. Broken lines formed of unequal length dashes (i.e., dash-dot) define bounds of the claimed design. The stylet handle is shown with a symbolic break in its length. The appearance of any portion of the article between the break lines forms no part of the claimed design.

1 Claim, 2 Drawing Sheets



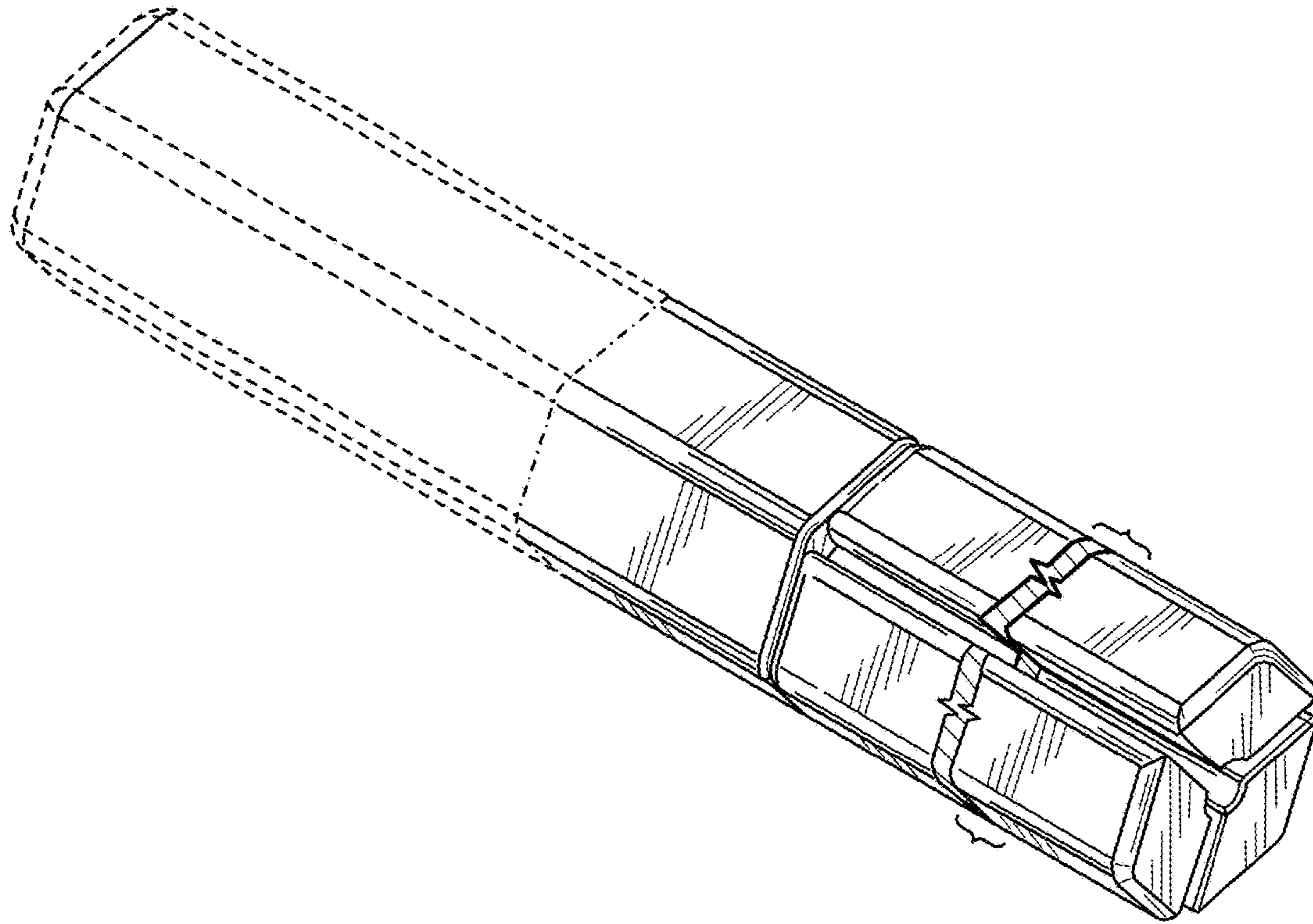


FIG. 1

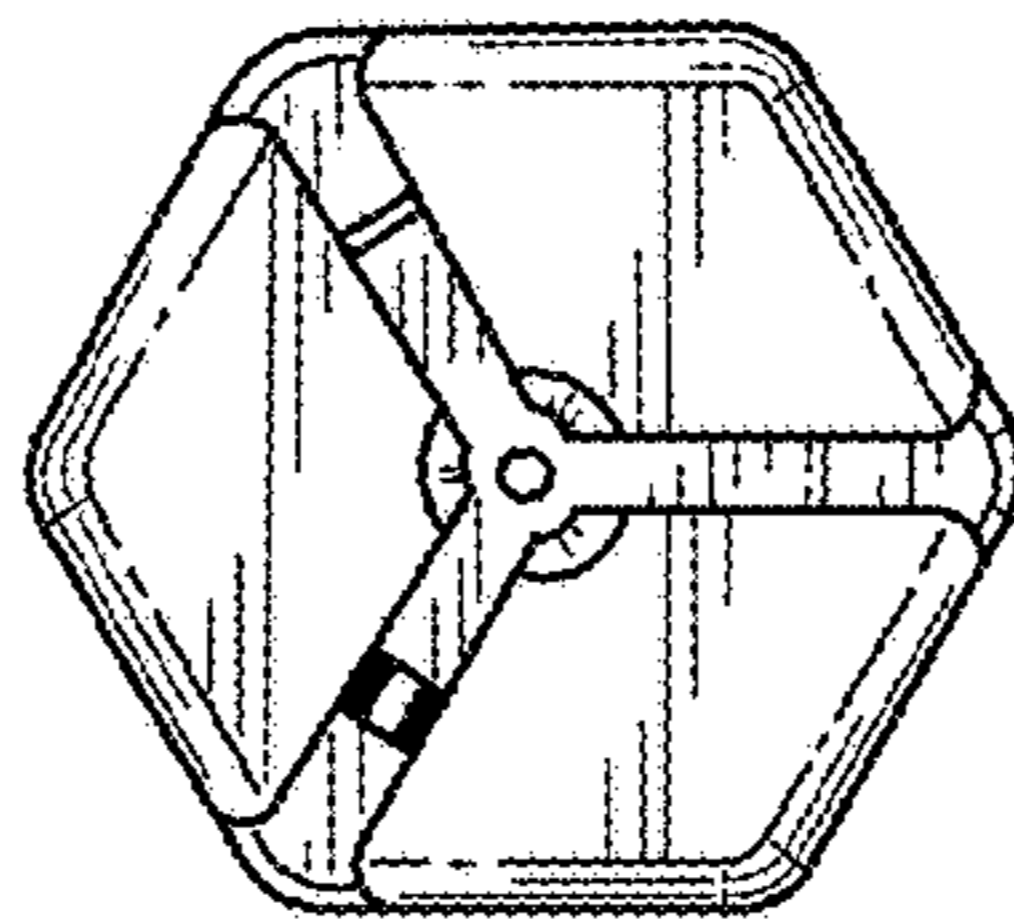


FIG. 2

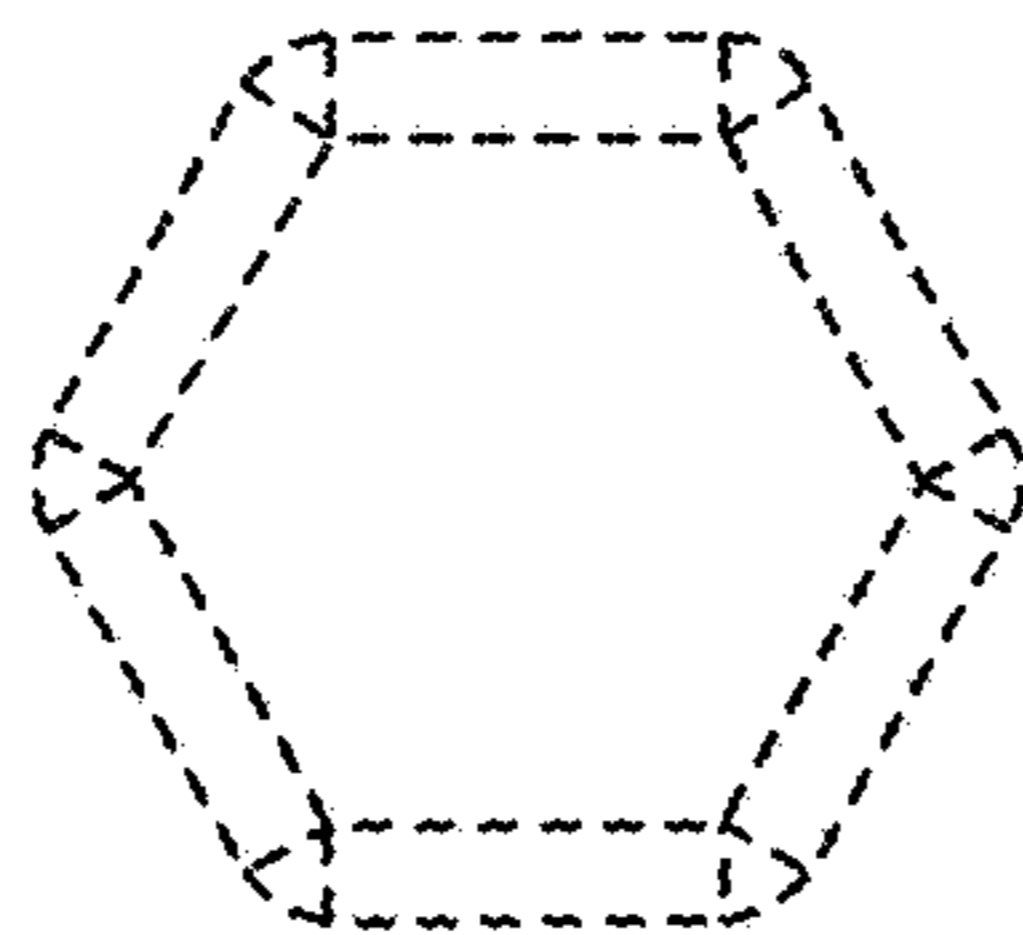


FIG. 3

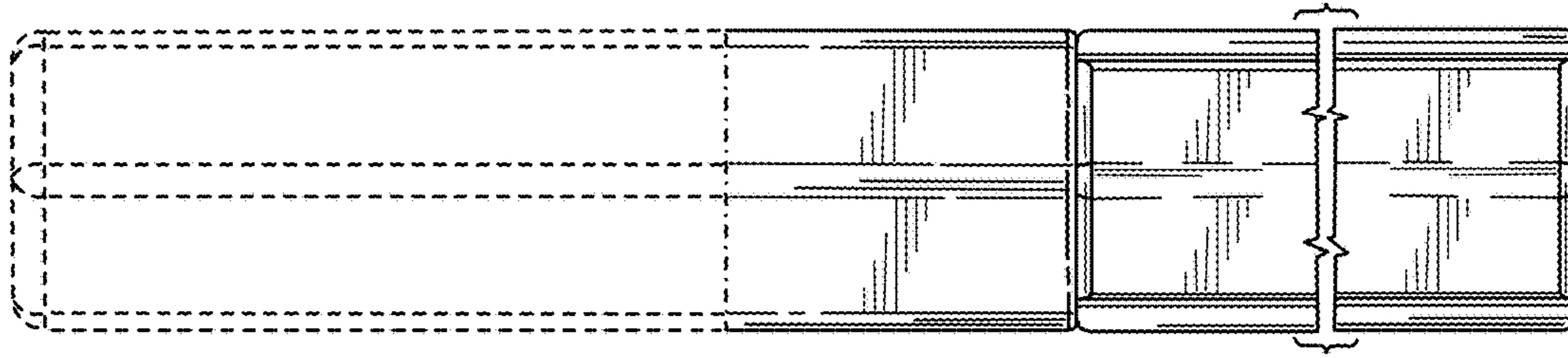


FIG. 4

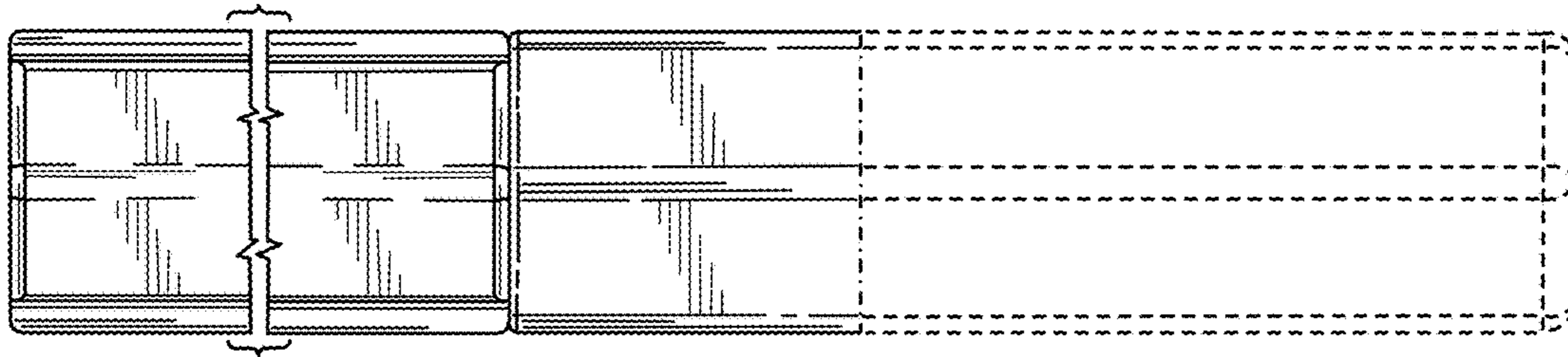


FIG. 5

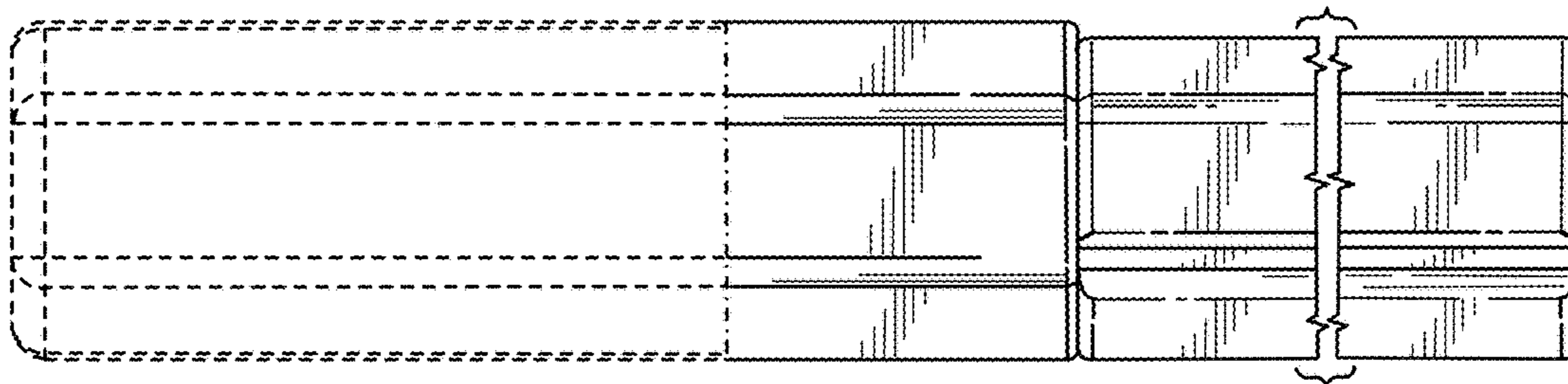


FIG. 6

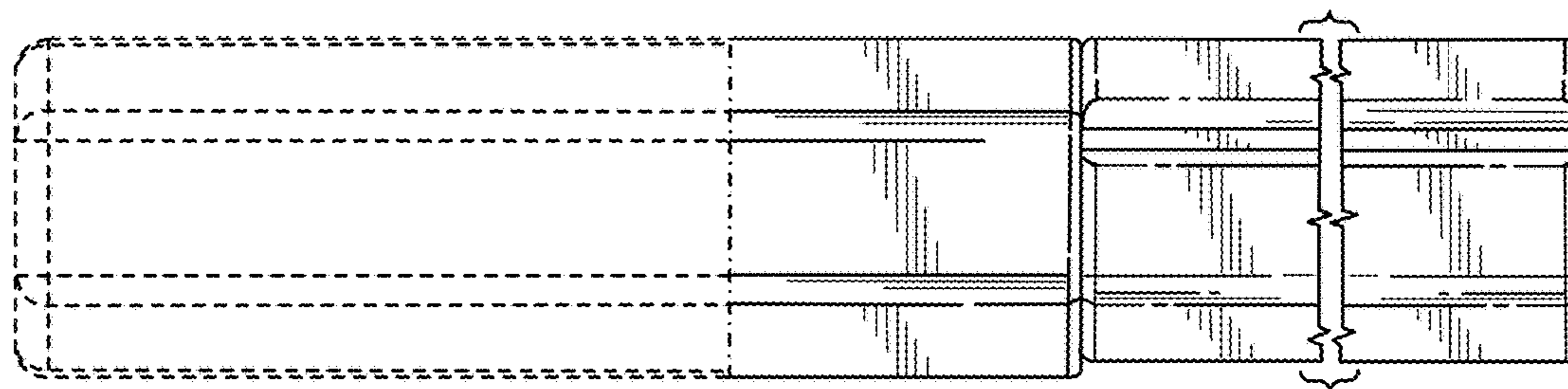


FIG. 7