



US00D794773S

(12) **United States Design Patent** (10) **Patent No.:** **US D794,773 S**
Senff et al. (45) **Date of Patent:** **** Aug. 15, 2017**

(54) **ORAL IRRIGATOR**

FOREIGN PATENT DOCUMENTS

(71) Applicant: **WATER PIK, INC.**, Fort Collins, CO (US)

CA 851479 9/1970
CH 655237 4/1986

(Continued)

(72) Inventors: **Oscar Senff**, Broomfield, CO (US);
Heman Au, Seattle, WA (US); **Jeffrey Ladwig**, Seattle, WA (US)

OTHER PUBLICATIONS

US RE27,274, 01/1972, Mattingly (withdrawn)
(Continued)

(73) Assignee: **WATER PIK, INC.**, Fort Collins, CO (US)

Primary Examiner — Barbara Fox
Assistant Examiner — Lilyana Bekic
(74) *Attorney, Agent, or Firm* — Dorsey & Whitney LLP

(**) Term: **15 Years**

(21) Appl. No.: **29/571,562**

(22) Filed: **Jul. 19, 2016**

(51) **LOC (10) Cl.** **24-02**

(57) **CLAIM**

(52) **U.S. Cl.**
USPC **D24/111**

We claim the ornamental design for an oral irrigator, as shown and described.

(58) **Field of Classification Search**
USPC D24/108, 111–113, 133, 152, 176;
D4/101, 138

DESCRIPTION

CPC A61C 17/0205; A61C 17/0202; A61C 17/224; A61C 17/20; A61C 17/005; A61C 17/028; A61C 17/02; A61C 17/36; A61C 17/00; A61C 17/0211; A61C 17/0214; A61C 17/28; A61C 17/043; A61C 17/22; A61C 17/222; A61C 17/225

FIG. 1 is a front isometric view of an oral irrigator showing our new design.
FIG. 2 is a rear isometric view of the oral irrigator of FIG. 1.
FIG. 3 is a front elevation view of the oral irrigator of FIG. 1.
FIG. 4 is a rear elevation view of the oral irrigator of FIG. 1.
FIG. 5 is a left side elevation view of the oral irrigator of FIG. 1.
FIG. 6 is a right side elevation view of the oral irrigator of FIG. 1.
FIG. 7 is a top plan view of the oral irrigator of FIG. 1; and, FIG. 8 is a bottom plan view of the oral irrigator of FIG. 1. The broken lines in the drawings illustrate portions of the oral irrigator that form no part of the claimed design.

See application file for complete search history.

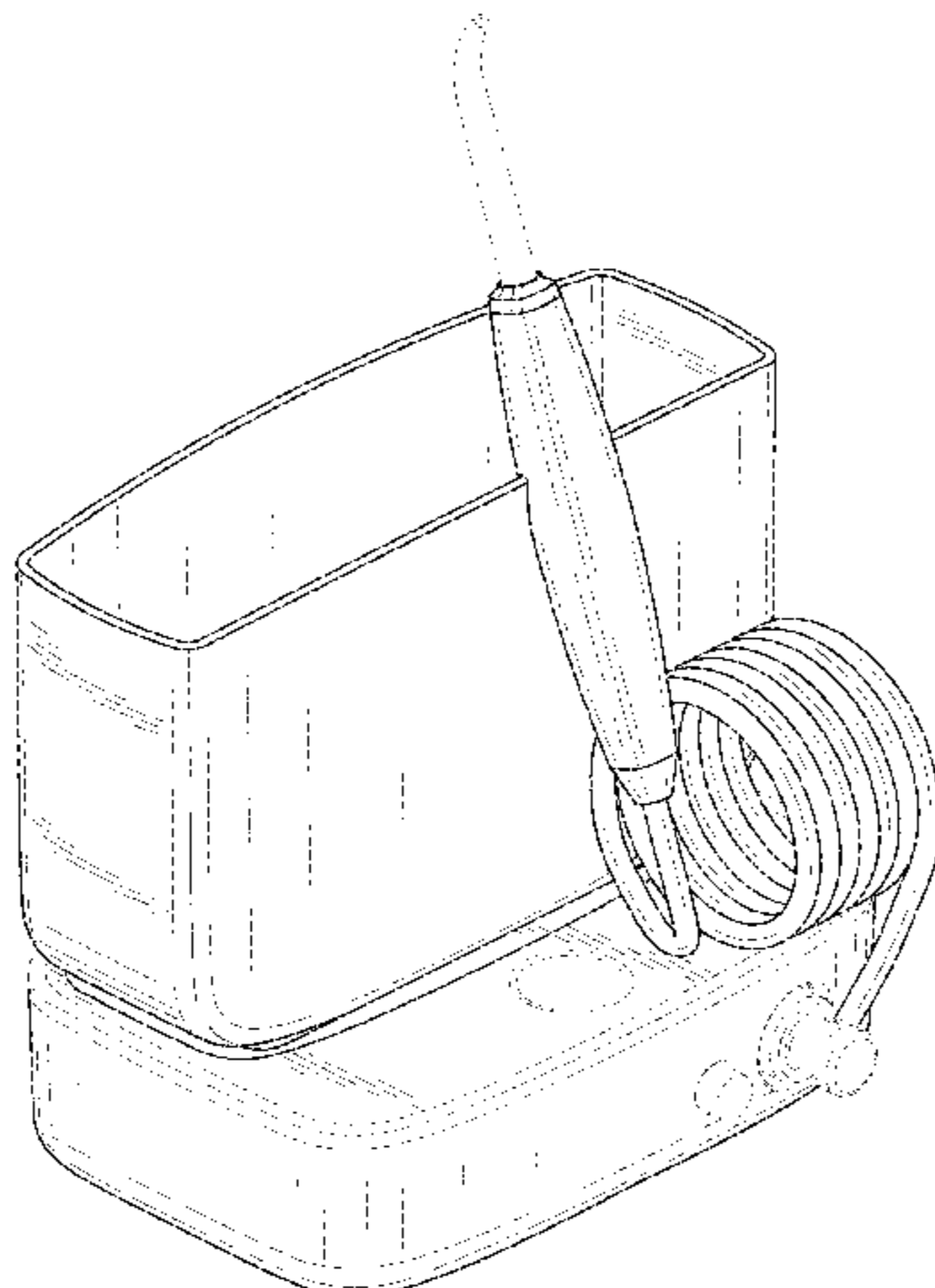
(56) **References Cited**

U.S. PATENT DOCUMENTS

555,588 A 3/1896 Spencer
1,278,225 A 9/1918 Schamberg
1,452,258 A 4/1923 Smith
1,464,419 A 8/1923 Gill
1,480,310 A 1/1924 Smith
1,498,267 A 6/1924 Hachman
1,650,686 A 11/1927 Binks
1,669,889 A 5/1928 Andrews et al.
1,681,320 A 8/1928 Bergl et al.

(Continued)

1 Claim, 8 Drawing Sheets



US D794,773 S

(56)

References Cited

U.S. PATENT DOCUMENTS

1,933,454 A	10/1933	Sidney		3,811,432 A	5/1974	Moret	
1,940,111 A	12/1933	Austin		3,820,532 A	6/1974	Eberhardt et al.	
1,977,782 A	10/1934	Roy		3,827,147 A	8/1974	Condon	
2,107,686 A	2/1938	Bramsen et al.		3,837,166 A	9/1974	Hiraoka	
2,531,730 A	11/1950	Henderson		3,840,795 A	10/1974	Roszyk et al.	
2,595,666 A	5/1952	Hutson		3,847,145 A	11/1974	Grossan	
2,669,233 A	2/1954	Friend		3,854,209 A	12/1974	Franklin et al.	
2,709,227 A	5/1955	Foley et al.		3,863,628 A	2/1975	Vit	
2,783,919 A	3/1957	Ansell		3,871,560 A *	3/1975	Crippa	A61C 1/0084
2,794,437 A	6/1957	Tash					222/325
2,870,932 A	1/1959	Davis		3,874,506 A	4/1975	Hill et al.	
2,984,452 A	5/1961	Hooper		3,912,125 A	10/1975	Acklin	
3,089,490 A	5/1963	Goldberg		3,943,628 A	3/1976	Kronman et al.	
3,096,913 A	7/1963	Jousson		3,959,883 A	6/1976	Walls et al.	
3,144,867 A	8/1964	Trupp et al.		3,973,558 A	8/1976	Stouffer et al.	
D202,041 S	8/1965	Burzlauff		3,977,084 A	8/1976	Sloan	
3,209,956 A	10/1965	McKenzie		4,001,526 A	1/1977	Olson	
3,216,619 A	11/1965	Richards et al.		4,004,302 A	1/1977	Hori	
3,225,759 A	12/1965	Drapen et al.		4,007,739 A	2/1977	Bron et al.	
3,227,158 A	1/1966	Mattingly		4,013,227 A	3/1977	Herrera	
3,266,623 A	8/1966	Poferl		4,052,002 A	10/1977	Stouffer et al.	
3,297,558 A	1/1967	Hillquist		D246,667 S *	12/1977	Mackay	601/162
D208,778 S	10/1967	Koch		4,060,870 A	12/1977	Cannarella	
D209,204 S	11/1967	St. Clair et al.		4,075,761 A	2/1978	Behne et al.	
D209,395 S	11/1967	Gilbert		4,078,558 A	3/1978	Woog et al.	
D210,018 S *	1/1968	Mattingly	601/162	4,094,311 A	6/1978	Hudson	
D210,019 S *	1/1968	Johnson et al.	601/162	4,108,167 A *	8/1978	Hickman	A61H 13/005
3,370,214 A	2/1968	Aymar					601/162
3,391,696 A	7/1968	Woodward		4,108,178 A	8/1978	Betush	
3,393,673 A *	7/1968	Mattingly	A61C 1/0092	4,109,650 A	8/1978	Peclard	
			417/415	4,122,845 A	10/1978	Stouffer et al.	
3,400,999 A	9/1968	Goldstein		4,135,501 A	1/1979	Leunissan	
3,418,552 A	12/1968	Holmes		4,141,352 A *	2/1979	Ebner	A61C 1/0092
3,420,228 A	1/1969	Kalbfeld					601/162
3,425,410 A	2/1969	Cammack		4,144,646 A	3/1979	Takemoto et al.	
3,453,969 A	7/1969	Mattingly		4,149,315 A	4/1979	Page, Jr. et al.	
3,465,751 A	9/1969	Powers		4,154,375 A	5/1979	Bippus	
3,467,083 A	9/1969	Mattingly		4,160,383 A	7/1979	Rauschenberger	
D215,920 S	11/1969	McCarty et al.		4,171,572 A	10/1979	Nash	
3,487,828 A	1/1970	Troy		4,182,038 A	1/1980	Fleer	
3,489,268 A	1/1970	Meierhoefer		4,200,235 A	4/1980	Monschke	
3,495,587 A *	2/1970	Freedman	A61C 1/0084	4,201,200 A *	5/1980	Hubner	A61C 17/02
			601/162				206/218
3,496,933 A	2/1970	Lloyd		4,215,476 A	8/1980	Armstrong	
3,499,440 A	3/1970	Gibbs		4,219,618 A	8/1980	Leonard	
3,500,824 A	3/1970	Gilbert		4,227,878 A	10/1980	Lohn	
3,501,203 A	3/1970	Falk		4,229,634 A *	10/1980	Hickman	H01H 9/04
3,502,072 A	3/1970	Stillman					200/16 D
3,517,669 A	6/1970	Buono et al.		4,236,889 A	12/1980	Wright	
D218,270 S	8/1970	Soper		4,248,589 A	2/1981	Lewis	
3,522,801 A	8/1970	Robinson		4,249,899 A	2/1981	Davis	
3,532,221 A	10/1970	Kaluhiokalani et al.		4,257,458 A	3/1981	Kondo et al.	
3,536,065 A	10/1970	Moret		4,262,799 A	4/1981	Perrett	
3,537,444 A	11/1970	Garn		4,266,934 A	5/1981	Pernot	
3,538,950 A	11/1970	Porteners		4,276,023 A	6/1981	Phillips et al.	
3,547,110 A	12/1970	Balamuth		4,276,880 A	7/1981	Malmin	
3,561,433 A	2/1971	Kovach		4,302,186 A	11/1981	Cammack et al.	
D220,334 S *	3/1971	Macckay	D24/111	4,303,064 A	12/1981	Buffa	
3,570,525 A	3/1971	Borsum		4,303,070 A	12/1981	Ichikawa et al.	
3,572,375 A	3/1971	Rosenberg		4,306,862 A	12/1981	Knox	
3,578,884 A *	5/1971	Jacobson	F04B 53/10	4,315,741 A	2/1982	Reichl	
			417/317	4,319,568 A	3/1982	Tregoning	
3,583,609 A	6/1971	Oppenheimer		4,331,422 A *	5/1982	Heyman	A61C 3/025
3,590,813 A	7/1971	Roszyk					433/118
3,608,548 A	9/1971	Lewis		4,337,040 A *	6/1982	Cammack	A61C 1/0092
D222,862 S	1/1972	Cook					433/80
3,636,947 A	1/1972	Balamuth		4,340,365 A	7/1982	Pisanu	
3,651,576 A	3/1972	Massa		4,340,368 A	7/1982	Lococo	
3,669,101 A	6/1972	Kleiner		D266,117 S	9/1982	Oberheim	
3,703,170 A	11/1972	Ryckman, Jr.		4,353,694 A	10/1982	Pelerin	
3,747,595 A	7/1973	Grossan		4,363,626 A	12/1982	Schmidt et al.	
3,768,472 A	10/1973	Hodosh et al.		4,365,376 A	12/1982	Oda et al.	
3,783,364 A	1/1974	Gallanis et al.		4,370,131 A	1/1983	Banko	
3,809,506 A	5/1974	Malcosky		4,374,354 A	2/1983	Petrovic et al.	
3,809,977 A	5/1974	Balamuth et al.		4,382,167 A	5/1983	Maruyama et al.	
				4,382,786 A	5/1983	Lohn	
				D270,000 S	8/1983	Ketler	
				4,412,823 A	11/1983	Sakai et al.	

(56)

References Cited

U.S. PATENT DOCUMENTS

4,416,628 A *	11/1983	Cammack	A61C 17/02 200/526	4,973,250 A	11/1990	Milman	
4,442,830 A	4/1984	Markau		4,975,054 A	12/1990	Esrock	
4,442,831 A	4/1984	Trenary		4,979,503 A	12/1990	Chernack	
4,452,238 A	6/1984	Kerr		4,979,504 A	12/1990	Mills	
4,454,866 A	6/1984	Fayen		4,989,590 A	2/1991	Baum et al.	
4,512,769 A	4/1985	Kozam et al.		4,998,880 A	3/1991	Nerli	
4,517,962 A	5/1985	Heckele		5,013,241 A	5/1991	Von Gutfeld et al.	
4,531,912 A	7/1985	Schuss et al.		5,014,884 A	5/1991	Wunsch	
4,531,913 A	7/1985	Taguchi		5,019,054 A	5/1991	Clement et al.	
4,534,340 A	8/1985	Kerr et al.		5,027,798 A	7/1991	Primiano	
4,552,130 A	11/1985	Kinoshita		5,029,576 A	7/1991	Evans, Sr.	
4,561,214 A	12/1985	Inoue		5,033,617 A	7/1991	Hartwein et al.	
D283,374 S	4/1986	Cheuk-Yiu		5,033,961 A	7/1991	Kandler et al.	
4,585,415 A	4/1986	Hommann		5,046,486 A	8/1991	Hartwein	D24/111
4,591,777 A	5/1986	McCarty et al.		5,049,071 A	9/1991	Grulke et al.	
4,592,728 A	6/1986	Davis		5,060,825 A	9/1991	Davis et al.	
4,602,906 A	7/1986	Grunenfelder		5,062,795 A *	10/1991	Palmer et al.	
4,607,627 A	8/1986	Leber et al.		5,061,180 A	10/1991	Wiele	
4,613,074 A	9/1986	Schulze		5,062,795 A *	11/1991	Woog	A61M 11/00 433/80
4,619,009 A	10/1986	Rosenstatter		5,064,168 A	11/1991	Raines et al.	
4,619,612 A	10/1986	Weber et al.		D322,314 S	12/1991	Ohbayashi	
4,629,425 A	12/1986	Detsch		5,071,346 A	12/1991	Domaas	
4,636,198 A	1/1987	Stade		5,082,115 A	1/1992	Hutcheson	
4,642,037 A	2/1987	Fritchman		5,082,443 A	1/1992	Lohn	
4,644,937 A	2/1987	Hommann		5,085,317 A	2/1992	Jensen et al.	
4,645,488 A	2/1987	Matukas		5,086,756 A	2/1992	Powell	
4,647,831 A	3/1987	O'Malley et al.		5,095,893 A	3/1992	Rawden, Jr.	
4,648,838 A	3/1987	Schlachter		5,098,291 A	3/1992	Curtis et al.	
4,650,475 A	3/1987	Smith et al.		5,098,676 A	3/1992	Brooks, Jr.	
4,655,198 A	4/1987	Hommann		5,100,319 A *	3/1992	Baum	A61C 17/0202 433/80
4,669,453 A	6/1987	Atkinson et al.		5,117,871 A	6/1992	Gardner et al.	
4,672,953 A	6/1987	DiVito		5,125,835 A	6/1992	Young	
4,673,396 A	6/1987	Urbaniak		5,127,831 A	7/1992	Bab	
D291,354 S	8/1987	Camens		5,142,723 A	9/1992	Lustig et al.	
4,716,352 A	12/1987	Hurn et al.		5,150,841 A	9/1992	Silvenis et al.	
4,749,340 A	6/1988	Ikeda et al.		5,172,810 A	12/1992	Brewer	
4,770,632 A	9/1988	Ryder et al.		5,173,273 A	12/1992	Brewer	
4,783,321 A	11/1988	Spence		5,183,035 A	2/1993	Weir	
4,787,845 A	11/1988	Valentine		5,197,458 A	3/1993	Ito et al.	
4,787,847 A	11/1988	Martin et al.		5,197,460 A	3/1993	Ito et al.	
4,798,292 A	1/1989	Hauze		5,199,871 A	4/1993	Young	
4,803,974 A	2/1989	Powell		5,203,697 A	4/1993	Malmin	
4,804,364 A	2/1989	Dieras et al.		5,203,769 A	4/1993	Clement et al.	
4,818,229 A	4/1989	Vasile		5,204,004 A	4/1993	Johnston et al.	
4,820,152 A	4/1989	Warrin et al.		5,208,933 A	5/1993	Lustig et al.	
4,821,923 A	4/1989	Skorka		5,215,193 A	6/1993	Dennis	
4,824,368 A	4/1989	Hickman		5,218,956 A	6/1993	Handler et al.	
4,826,431 A	5/1989	Fujimura et al.		5,220,914 A	6/1993	Thompson	
4,827,551 A	5/1989	Maser et al.		5,228,646 A	7/1993	Raines	
4,832,683 A	5/1989	Idemoto et al.		5,230,624 A	7/1993	Wolf et al.	
4,854,869 A	8/1989	Lawhorn		5,232,687 A	8/1993	Geimer	
4,861,340 A	8/1989	Smith et al.		5,235,968 A *	8/1993	Woog	A61C 17/02 433/80
4,862,876 A	9/1989	Lih-Sheng		5,241,714 A	9/1993	Barry	
4,869,720 A	9/1989	Chernack		5,246,367 A	9/1993	Ito et al.	
4,880,382 A	11/1989	Moret et al.		5,252,064 A	10/1993	Baum et al.	
4,886,452 A	12/1989	Lohn		D341,200 S	11/1993	Yoshimoto	
4,900,252 A	2/1990	Liefke et al.		5,257,933 A	11/1993	Jousson	
4,902,225 A	2/1990	Lohn		5,261,448 A	11/1993	Furuya et al.	
4,903,687 A	2/1990	Lih-Sheng		D341,943 S	12/1993	Si-Hoe	
4,906,187 A	3/1990	Amadera		5,267,586 A	12/1993	Jankavaara	
4,907,744 A	3/1990	Jousson		5,269,684 A	12/1993	Fischer	
4,925,450 A	5/1990	Imonti et al.		5,281,137 A	1/1994	Jousson	
4,928,675 A	5/1990	Thornton		5,281,139 A	1/1994	Frank et al.	
4,930,660 A	6/1990	Porteous		5,282,745 A	2/1994	Wiltrout et al.	
4,941,459 A	7/1990	Mathur		5,286,192 A	2/1994	Dixon	
4,950,159 A	8/1990	Hansen		5,286,201 A	2/1994	Yu	
4,958,629 A	9/1990	Peace et al.		5,297,962 A	3/1994	O'Connor et al.	
4,958,751 A	9/1990	Curtis et al.		D346,212 S	4/1994	Hosl	
4,959,199 A	9/1990	Brewer		5,301,381 A	4/1994	Klupt	
4,961,698 A	10/1990	Vlock		5,302,123 A	4/1994	Bechard	
4,966,551 A	10/1990	Betush		5,317,691 A	5/1994	Traeger	
4,969,874 A	11/1990	Michel et al.		5,321,865 A	6/1994	Kaesar	
4,973,246 A	11/1990	Black		5,331,704 A	7/1994	Rosen et al.	
4,973,247 A	11/1990	Varnes et al.		5,344,317 A	9/1994	Pacher et al.	
				5,346,677 A	9/1994	Risk	
				D351,892 S	10/1994	Wolf et al.	

(56)

References Cited

U.S. PATENT DOCUMENTS

5,360,338 A	11/1994	Waggoner	D417,082 S	11/1999	Classen et al.
5,368,548 A	11/1994	Jousson	5,993,402 A	11/1999	Sauer et al.
5,370,534 A	12/1994	Wolf et al.	6,030,215 A	2/2000	Ellion et al.
D354,168 S	1/1995	Hartwein	6,038,960 A	3/2000	Fukushima et al.
D354,559 S	1/1995	Knute	6,039,180 A	3/2000	Grant
5,378,149 A	1/1995	Stropko	6,047,429 A	4/2000	Wu
5,380,201 A	1/1995	Kawata	D425,615 S	5/2000	Bachman et al.
D356,864 S *	3/1995	Woog D24/111	D425,981 S	5/2000	Bachman et al.
5,399,089 A *	3/1995	Eichman A61C 17/02 433/80	6,056,710 A *	5/2000	Bachman A61C 17/02 601/162
D358,883 S	5/1995	Vos	D426,633 S	6/2000	Bachman et al.
5,456,672 A	10/1995	Diederich et al.	6,089,865 A	7/2000	Edgar
5,465,445 A	11/1995	Yeh	6,116,866 A	9/2000	Tomita et al.
5,467,495 A	11/1995	Boland et al.	6,120,755 A *	9/2000	Jacobs A61C 1/0084 424/49
5,468,148 A	11/1995	Ricks	6,124,699 A	9/2000	Suzuki et al.
5,470,305 A	11/1995	Arnett et al.	D434,500 S	11/2000	Pollock et al.
5,474,450 A	12/1995	Chronister	6,159,006 A	12/2000	Cook et al.
5,474,451 A	12/1995	Dalrymple et al.	6,164,967 A	12/2000	Sale et al.
5,476,379 A	12/1995	Disel	D435,905 S	1/2001	Bachman et al.
5,484,281 A	1/1996	Renow et al.	D437,049 S	1/2001	Hartwein
5,487,877 A	1/1996	Choi	6,193,512 B1	2/2001	Wallace
5,490,779 A	2/1996	Malmin	6,193,932 B1	2/2001	Wu et al.
5,505,916 A	4/1996	Berry, Jr.	6,199,239 B1	3/2001	Dickerson
D369,656 S	5/1996	Vos	6,200,134 B1	3/2001	Kovac
D370,125 S	5/1996	Craft et al.	D439,781 S	4/2001	Spore
5,525,058 A	6/1996	Gallant et al.	6,217,835 B1	4/2001	Riley et al.
5,526,841 A	6/1996	Detsch et al.	D441,861 S	5/2001	Hafliker
5,540,587 A	7/1996	Malmin	6,233,773 B1	5/2001	Karge et al.
5,547,374 A	8/1996	Coleman	6,234,205 B1	5/2001	D'Amelio et al.
D373,631 S	9/1996	Maeda et al.	6,237,178 B1	5/2001	Krammer et al.
5,554,014 A	9/1996	Becker	6,247,929 B1	6/2001	Bachman et al.
5,554,025 A	9/1996	Kinsel	6,280,190 B1	8/2001	Hoffman
5,556,001 A	9/1996	Weissman et al.	D448,236 S	9/2001	Murray
5,564,629 A	10/1996	Weissman et al.	6,293,792 B1	9/2001	Hanson
D377,091 S	12/1996	Scott, Sr.	D449,884 S	10/2001	Tobin et al.
5,613,259 A	3/1997	Craft et al.	D453,453 S	2/2002	Lun
5,616,028 A	4/1997	Hafele et al.	6,363,565 B1	4/2002	Paffrath
5,626,472 A	5/1997	Pennetta	D457,949 S	5/2002	Krug
5,634,791 A	6/1997	Matsuura et al.	D464,799 S	10/2002	Crossman et al.
5,636,987 A	6/1997	Serfaty	6,468,482 B1	10/2002	Frieze et al.
5,640,735 A	6/1997	Manning	6,475,173 B1	11/2002	Bachman et al.
D382,407 S	8/1997	Craft et al.	6,485,451 B1	11/2002	Roberts et al.
5,653,591 A	8/1997	Loge	6,497,375 B1	12/2002	Srinath et al.
5,659,995 A	8/1997	Hoffman	6,497,572 B2	12/2002	Hood et al.
5,667,483 A	9/1997	Santos	6,502,584 B1	1/2003	Fordham
D386,576 S	11/1997	Wang et al.	D470,660 S	2/2003	Schaber
5,683,192 A	11/1997	Kilfoil	6,558,344 B2	5/2003	McKinnon et al.
5,685,829 A	11/1997	Allen	6,561,808 B2	5/2003	Neuberger et al.
5,685,851 A	11/1997	Murphy et al.	D475,346 S	6/2003	McCurrach et al.
5,697,784 A	12/1997	Hafele et al.	D476,743 S	7/2003	D'Silva
D388,612 S	1/1998	Stutzer et al.	6,589,477 B1	7/2003	Frieze et al.
D388,613 S	1/1998	Stutzer et al.	6,602,071 B1	8/2003	Ellion et al.
5,709,545 A	1/1998	Johnston et al.	6,632,091 B1	10/2003	Cise et al.
5,716,007 A	2/1998	Nottingham et al.	D482,451 S	11/2003	Page et al.
5,718,668 A	2/1998	Arnett et al.	6,640,999 B2	11/2003	Peterson
5,746,595 A	5/1998	Ford	6,647,577 B2	11/2003	Tam
5,749,726 A	5/1998	Kinsel	6,659,674 B2	12/2003	Carlucci et al.
5,759,502 A	6/1998	Spencer et al.	6,669,059 B2	12/2003	Mehta
5,779,471 A *	7/1998	Tseng A61C 19/063 433/80	D484,971 S *	1/2004	Hartwein D24/111
5,779,654 A	7/1998	Foley et al.	6,681,418 B1	1/2004	Bierend
5,795,153 A	8/1998	Rechmann	D486,573 S	2/2004	Callaghan et al.
5,796,325 A	8/1998	Lundell et al.	6,689,078 B1	2/2004	Rehkemper et al.
5,833,065 A	11/1998	Burgess	6,699,208 B2	3/2004	Bachman et al.
5,836,030 A	11/1998	Hazeu et al.	6,719,561 B2	4/2004	Gugel et al.
D402,744 S	12/1998	Zuege	D489,183 S	5/2004	Akahori et al.
5,851,079 A	12/1998	Horstman et al.	6,739,782 B1	5/2004	Rehkemper et al.
D403,511 S *	1/1999	Serbinski D24/111	6,740,053 B2	5/2004	Kaplowitz
D406,334 S *	3/1999	Rosenthal D24/111	D490,899 S	6/2004	Gagnon
5,876,201 A	3/1999	Wilson et al.	D491,728 S	6/2004	Jimenez
D408,511 S	4/1999	Allen et al.	D492,996 S	7/2004	Rehkemper et al.
5,901,397 A	5/1999	Häfele et al.	6,761,324 B2	7/2004	Chang
5,934,902 A	8/1999	Abahusayn	6,766,549 B2	7/2004	Klupt
D413,975 S	9/1999	Maeda	D495,142 S	8/2004	Berde
D416,999 S	11/1999	Miyamoto	D495,143 S	8/2004	Berde
			6,779,216 B2	8/2004	Davies et al.
			6,783,004 B1	8/2004	Rinner
			6,783,505 B1	8/2004	Lai
			6,796,796 B2	9/2004	Segal

(56)

References Cited

U.S. PATENT DOCUMENTS

D498,643 S	11/2004	Pryor	D686,311 S	7/2013	Mori
6,814,259 B1	11/2004	Foster et al.	D694,398 S	11/2013	Taylor
D499,885 S	12/2004	Xi	D700,343 S	2/2014	Liu
6,835,181 B2	12/2004	Hippensteel	D707,350 S	6/2014	Woodard
D500,599 S	1/2005	Callaghan	D709,183 S	7/2014	Kemlein
6,837,708 B2	1/2005	Chen et al.	D714,929 S	10/2014	Kim et al.
6,884,069 B2	4/2005	Goldman	D714,930 S	10/2014	Kim et al.
6,902,337 B1	6/2005	Kuo	D717,427 S	11/2014	Kim
6,907,879 B2	6/2005	Drinan et al.	D718,855 S	12/2014	Kim et al.
D509,585 S	9/2005	Kling et al.	D725,770 S	3/2015	Kim et al.
D513,638 S	1/2006	Pan	D731,640 S	6/2015	Kim et al.
D515,215 S	2/2006	Wang	D740,936 S	10/2015	Kim et al.
D522,652 S	6/2006	Massey	D745,423 S	12/2015	Khattak
7,080,980 B2	7/2006	Klupt	D746,975 S	1/2016	Schenck
D529,661 S	10/2006	Schmidt	D747,464 S	1/2016	Taylor
D530,010 S	10/2006	Luetzgen et al.	D754,330 S	4/2016	Kim et al.
7,117,555 B2	10/2006	Fattori et al.	D756,122 S	5/2016	Taylor
7,131,838 B2	11/2006	Suzuki et al.	D764,051 S	8/2016	Wang
D533,720 S	12/2006	Vu	D766,423 S	9/2016	Kim et al.
D538,474 S	3/2007	Sheppard et al.	D772,396 S	11/2016	Kim et al.
D548,334 S	8/2007	Izumi	D772,397 S	11/2016	Kim et al.
D550,097 S	9/2007	Lepoitevin	D774,651 S	12/2016	Kaib
7,276,035 B2	10/2007	Lu	D776,253 S	1/2017	Li
7,314,456 B2	1/2008	Shaw	2002/0090252 A1	7/2002	Hall et al.
D565,175 S	3/2008	Boyd et al.	2002/0108193 A1	8/2002	Gruber
7,344,510 B1	3/2008	Yande	2002/0119415 A1	8/2002	Bailey
D565,713 S	4/2008	Gao	2002/0152565 A1	10/2002	Klupt
7,367,803 B2	5/2008	Egeresi	2003/0060743 A1	3/2003	Chang
D574,952 S	8/2008	Boyd et al.	2003/0098249 A1	5/2003	Rollock
D577,198 S	9/2008	Jimenez	2003/0204155 A1	10/2003	Egeresi
D577,814 S	9/2008	Seki et al.	2003/0213075 A1	11/2003	Hui et al.
D581,279 S	11/2008	Oates	2004/0045107 A1	3/2004	Egeresi
7,455,521 B2	11/2008	Fishburne, Jr.	2004/0076921 A1	4/2004	Gofman et al.
7,469,440 B2	12/2008	Boland et al.	2004/0122377 A1	6/2004	Fischer et al.
D585,132 S	1/2009	Pukall	2004/0126730 A1	7/2004	Panagotacos
D588,262 S	3/2009	Pukall	2004/0209222 A1	10/2004	Snyder
7,500,584 B2	3/2009	Schutz	2005/0049620 A1	3/2005	Chang
D590,492 S	4/2009	Powell	2005/0064371 A1	3/2005	Soukos et al.
D592,748 S	5/2009	Boulton	2005/0101894 A1	5/2005	Hippensteel
D595,136 S	6/2009	Canamasas Puigbo	2005/0102773 A1	5/2005	Obermann et al.
D601,694 S *	10/2009	Rocklin D24/111	2005/0144745 A1	7/2005	Russell
D601,697 S	10/2009	Sobiech et al.	2005/0177079 A1	8/2005	Pan
D603,708 S	11/2009	Handy	2005/0271531 A1	12/2005	Brown et al.
7,670,141 B2	3/2010	Thomas et al.	2006/0008373 A1	1/2006	Schutz
7,677,888 B1	3/2010	Halm	2006/0010624 A1	1/2006	Cleland
D613,550 S	4/2010	Picozza et al.	2006/0026784 A1	2/2006	Moskovich et al.
D621,949 S	8/2010	Seki et al.	2006/0057539 A1	3/2006	Sodo
D625,406 S	10/2010	Seki et al.	2006/0078844 A1	4/2006	Goldman et al.
7,814,585 B1	10/2010	Reich	2006/0079818 A1	4/2006	Yande
D626,647 S	11/2010	Amborn	2007/0082316 A1	4/2007	Zhadanov et al.
D629,884 S	12/2010	Stephens	2007/0082317 A1*	4/2007	Chuang A61C 17/0202 433/80
7,857,623 B2	12/2010	Grez	2007/0113360 A1	5/2007	Tsai
7,862,536 B2	1/2011	Chen et al.	2007/0202459 A1	8/2007	Boyd et al.
7,959,597 B2	6/2011	Baker et al.	2007/0203439 A1	8/2007	Boyd et al.
D640,872 S	7/2011	Nanda	2007/0254260 A1	11/2007	Alden
D648,539 S	11/2011	Wai	2008/0189951 A1	8/2008	Molema et al.
D651,409 S	1/2012	Papenfu	2008/0213719 A1	9/2008	Giniger et al.
D651,805 S	1/2012	Hay	2009/0070949 A1	3/2009	Sagel et al.
D653,340 S	1/2012	Goerge et al.	2009/0082706 A1	3/2009	Shaw
8,113,832 B2	2/2012	Snyder et al.	2009/0124945 A1	5/2009	Reich et al.
D655,380 S	3/2012	Taylor	2009/0163839 A1	6/2009	Alexander
D658,381 S	5/2012	Gebski	2009/0281454 A1	11/2009	Baker et al.
8,220,726 B2	7/2012	Qiu et al.	2010/0010524 A1	1/2010	Barrington
D666,912 S	9/2012	Kawai	2010/0015566 A1	1/2010	Shaw
8,256,979 B2	9/2012	Hilscher et al.	2010/0190132 A1	7/2010	Taylor et al.
D668,339 S	10/2012	Luoto	2010/0239998 A1	9/2010	Snyder et al.
D669,169 S	10/2012	Washington et al.	2010/0261134 A1	10/2010	Boyd et al.
8,297,534 B2	10/2012	Li et al.	2010/0261137 A1	10/2010	Boyd et al.
D670,373 S	11/2012	Taylor et al.	2010/0326536 A1	12/2010	Nan
D670,958 S	11/2012	Picozza et al.	2010/0330527 A1	12/2010	Boyd et al.
D671,637 S	11/2012	Gebski et al.	2011/0027749 A1	2/2011	Syed
8,366,024 B2	2/2013	Leber et al.	2011/0076090 A1	3/2011	Wu et al.
8,403,577 B2	3/2013	Khoshnevis	2011/0097683 A1	4/2011	Boyd et al.
8,403,665 B2	3/2013	Thomas et al.	2011/0139826 A1	6/2011	Hair et al.
8,408,483 B2	4/2013	Boyd et al.	2011/0144588 A1	6/2011	Taylor et al.
			2011/0184341 A1	7/2011	Baker et al.
			2011/0307039 A1	12/2011	Cornell
			2012/0021374 A1	1/2012	Cacka et al.

(56)

References Cited

U.S. PATENT DOCUMENTS

2012/0045730	A1	2/2012	Sayder et al.	
2012/0064480	A1	3/2012	Hegemann	
2012/0077145	A1	3/2012	Tsurukawa	
2012/0141952	A1	6/2012	Snyder et al.	
2012/0179118	A1	7/2012	Hair	
2012/0189976	A1	7/2012	McDonough et al.	
2012/0266396	A1	10/2012	Leung	
2012/0277677	A1	11/2012	Taylor et al.	
2012/0277678	A1	11/2012	Taylor et al.	
2012/0295220	A1	11/2012	Thomas et al.	
2013/0295520	A1	11/2013	Hsieh	
2014/0106296	A1	4/2014	Woodard et al.	
2014/0193774	A1	7/2014	Snyder et al.	
2014/0259474	A1	9/2014	Sokol et al.	
2014/0272769	A1	9/2014	Luetngen et al.	
2014/0272782	A1	9/2014	Luetngen et al.	
2014/0352088	A1	12/2014	Wu	
2015/0004559	A1	1/2015	Luetngen et al.	
2015/0147717	A1	5/2015	Taylor et al.	
2015/0173850	A1*	6/2015	Garrigues	A61C 1/0092 433/80
2015/0182319	A1	7/2015	Wagner et al.	
2016/0100921	A1	4/2016	Ungar	
2016/0151133	A1	6/2016	Luetngen et al.	

FOREIGN PATENT DOCUMENTS

DE	1466963	5/1969
DE	2409752	9/1975
DE	2545936	4/1977
DE	2714876	10/1978
DE	2910982	2/1980
EP	0023672	7/1980
EP	0515983	2/1992
FR	2556954	6/1985
FR	2654627	5/1991
GB	1182031	2/1970
GB	2018605	10/1979
JP	2-134150	5/1990
JP	2009-39455	2/2009

WO	WO95/16404	6/1995
WO	WO01/10327	2/2001
WO	WO2004/021958	3/2004
WO	WO2004/039205	5/2004
WO	WO2004/060259	7/2004
WO	WO2008/157585	12/2008
WO	WO2013/124691	8/2013

OTHER PUBLICATIONS

The Right Tool, Electron Fusion Devices, Inc., 2 pages, at least as early as Feb. 1991.

Japanese Packaging, 2 pages, at least as early as Dec. 2002.

Japanese Instruction Brochure, 20 pages, at least as early as Dec. 2002.

Brochure: Woog International, "You have a 98% chance of getting gum disease. Unless you read this.", Lancaster, Pennsylvania, 5 pages, Feb. 1987.

Brochure: WOOG International, "We put the control of home dental care back into the hands of the professional", Lancaster, Pennsylvania, 2 pages, Feb. 1987.

Brochure: Woog International, "Products at a Glance: Home Dental Care System" WOOG ORAJET, 3 pages, at least as early as Dec. 18, 1998.

Website: http://www.just4teeth.com/product/Panasonic/Panasonic_Portable_Irrigator.htm, 2 pages, at least as early as Jun. 20, 2003.

Website: http://www.videodirectstore.com/store/merchant.mv?Screen=PROD&Product_Code=EW1'..", 2 pages, at least as early as Jun. 20, 2003.

Website: <http://products.consumerguide.com/cp/family/review/index.cfm/id/18742>, 2 pages, at least as early as Jun. 20, 2003.

Website: <http://www.racekarteng.com/images/walbroparts.gif> and <http://www.muller.net/mullermachine/docs/walbro1.html>, 4 pages, at least as early as Jun. 20, 2003.

Waterpik SinuSense Website: <http://www.insightsbyapril.com/2012/03/waterpik-natural-remedy-for-sinus.html>, 8 pages, retrieved on May 31, 2012.

Website: <https://www.waterpik.com/about-us/>, 3 pages.

* cited by examiner

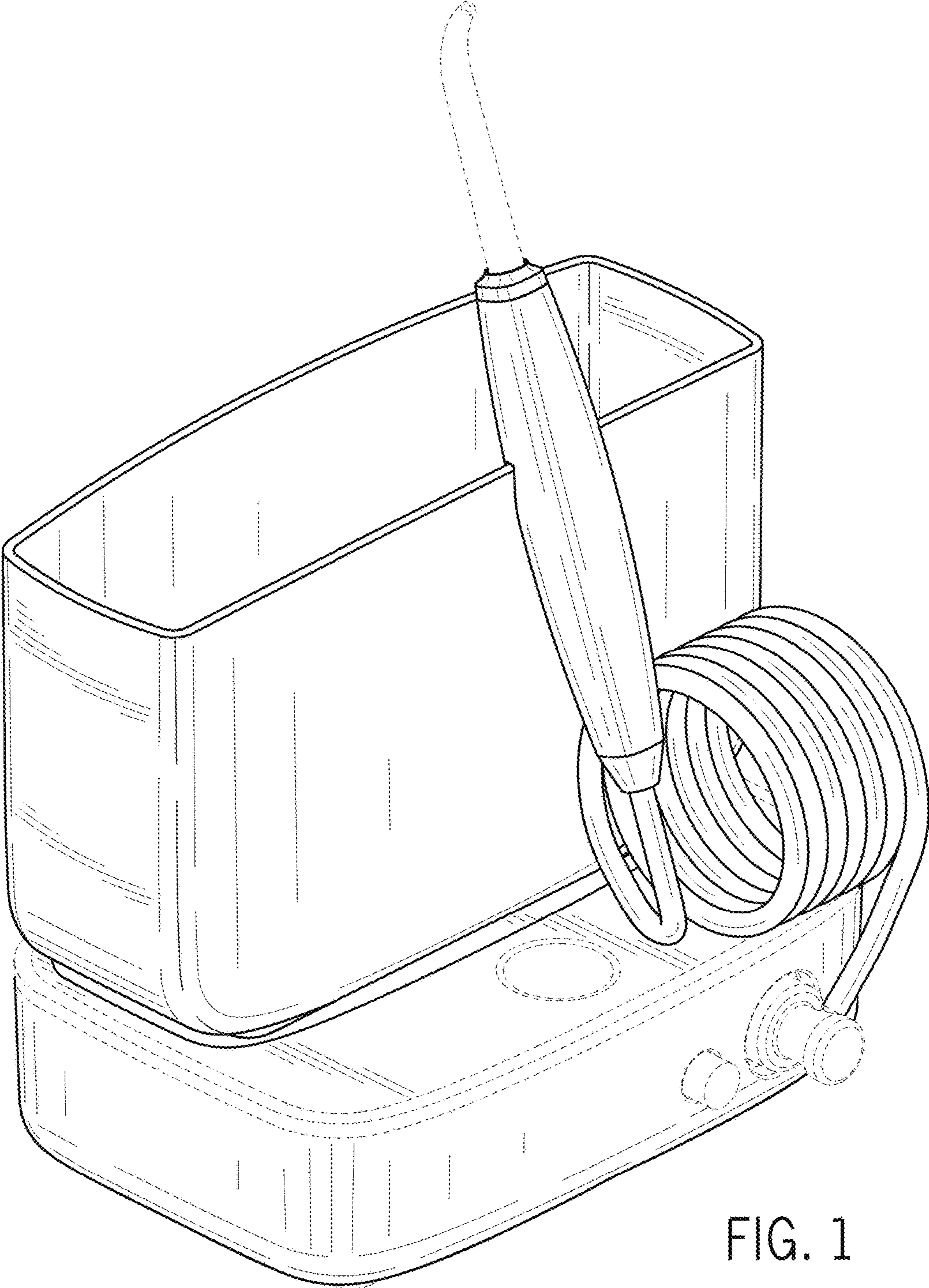


FIG. 1

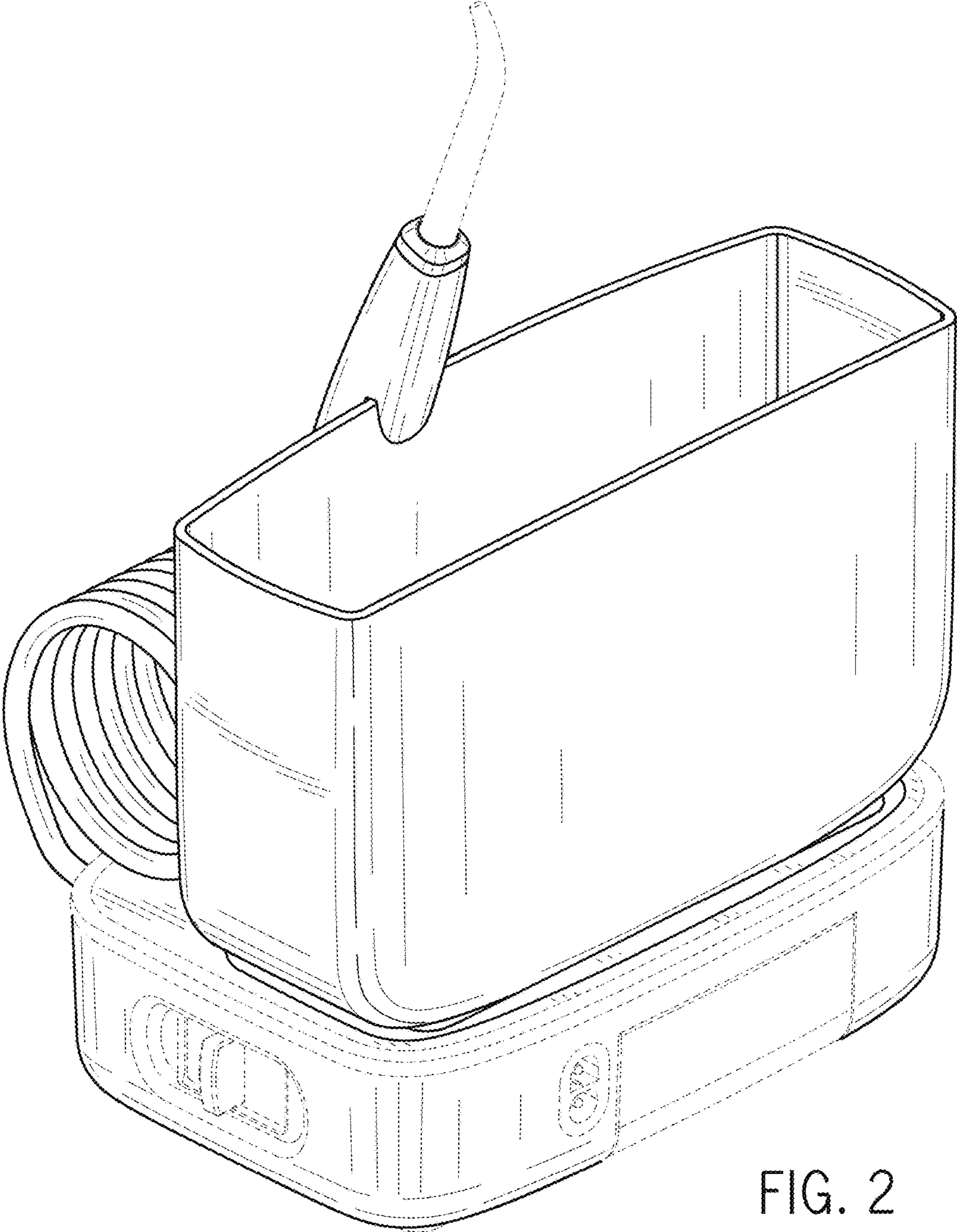


FIG. 2

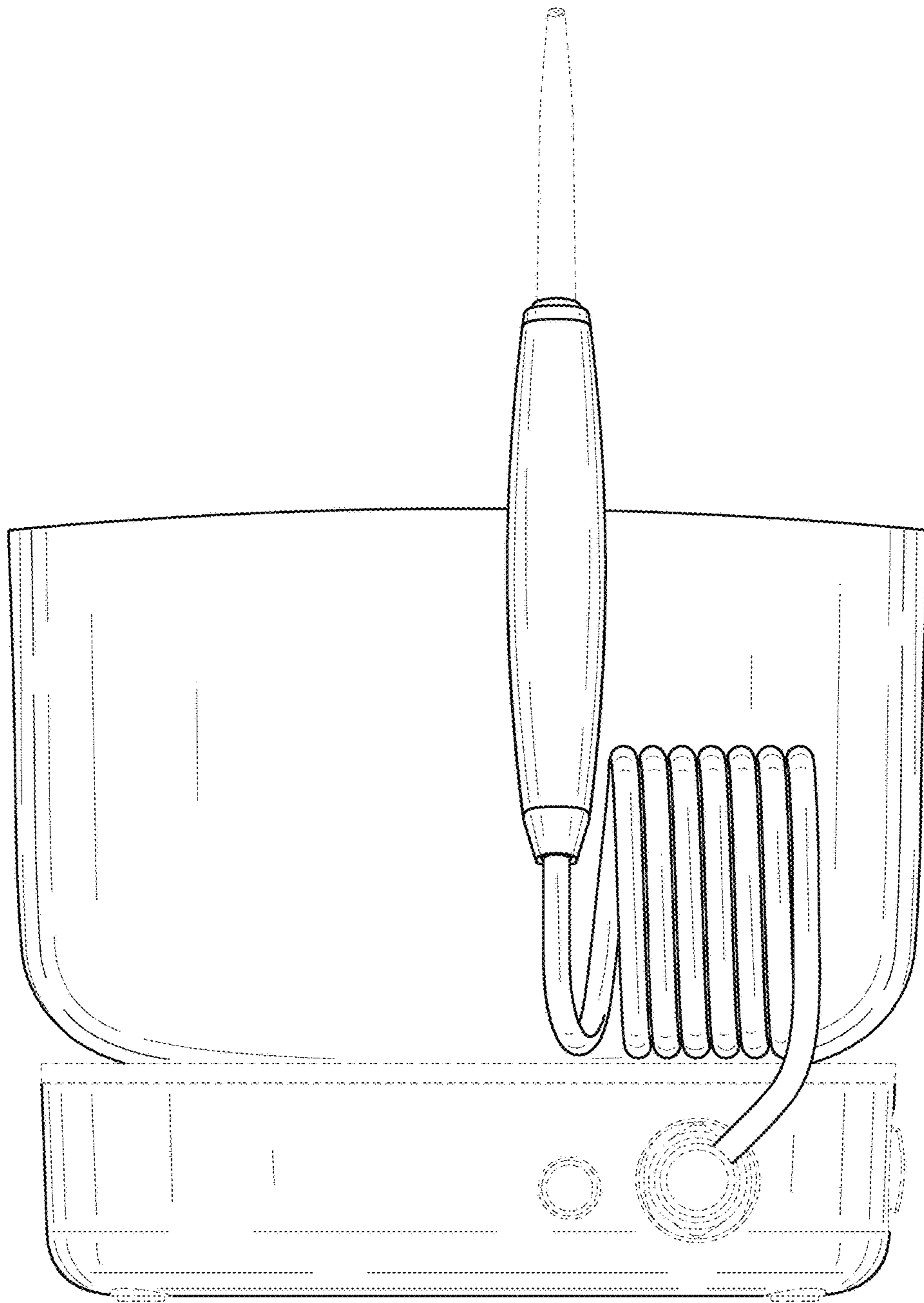


FIG. 3

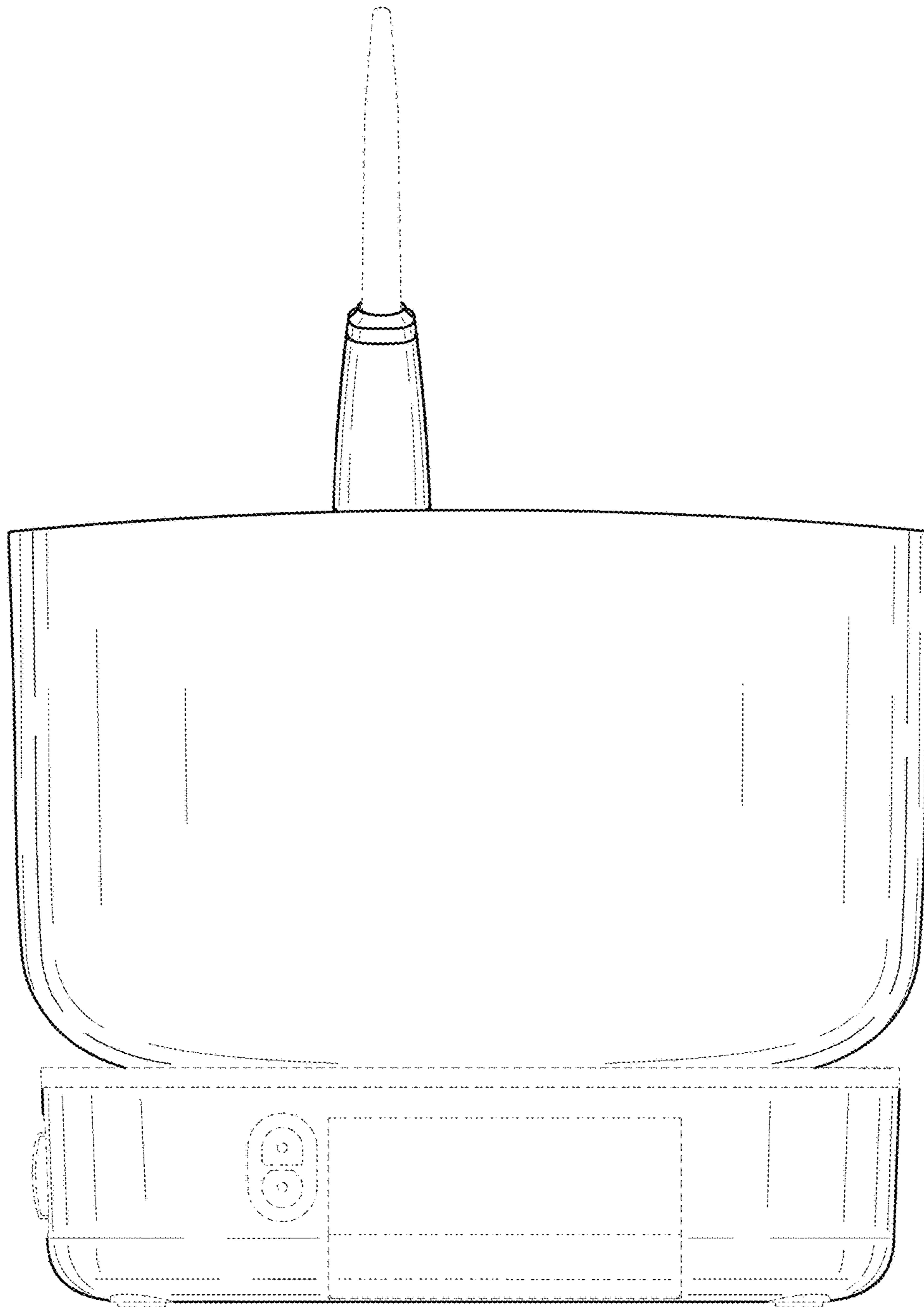


FIG. 4

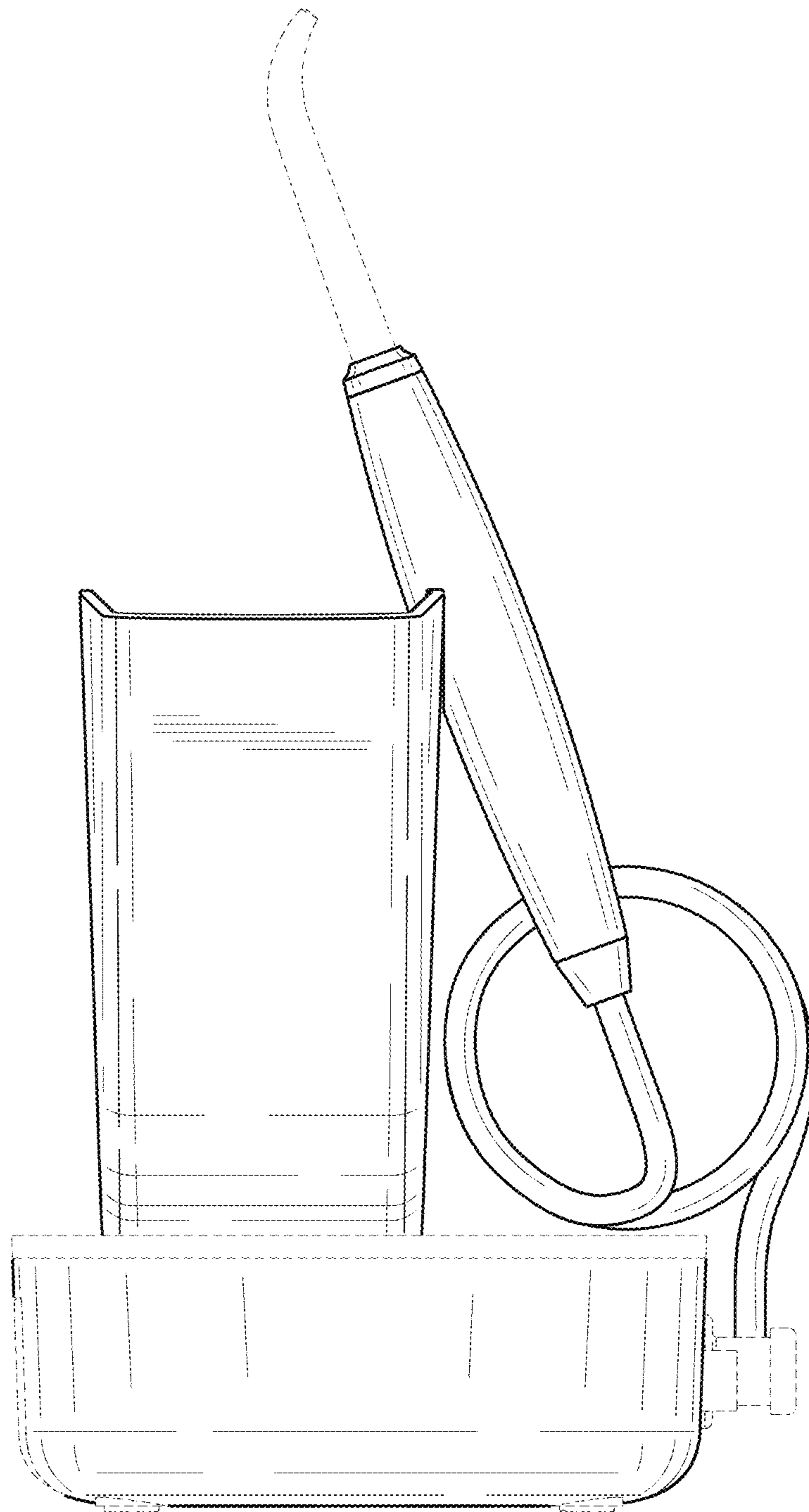


FIG. 5

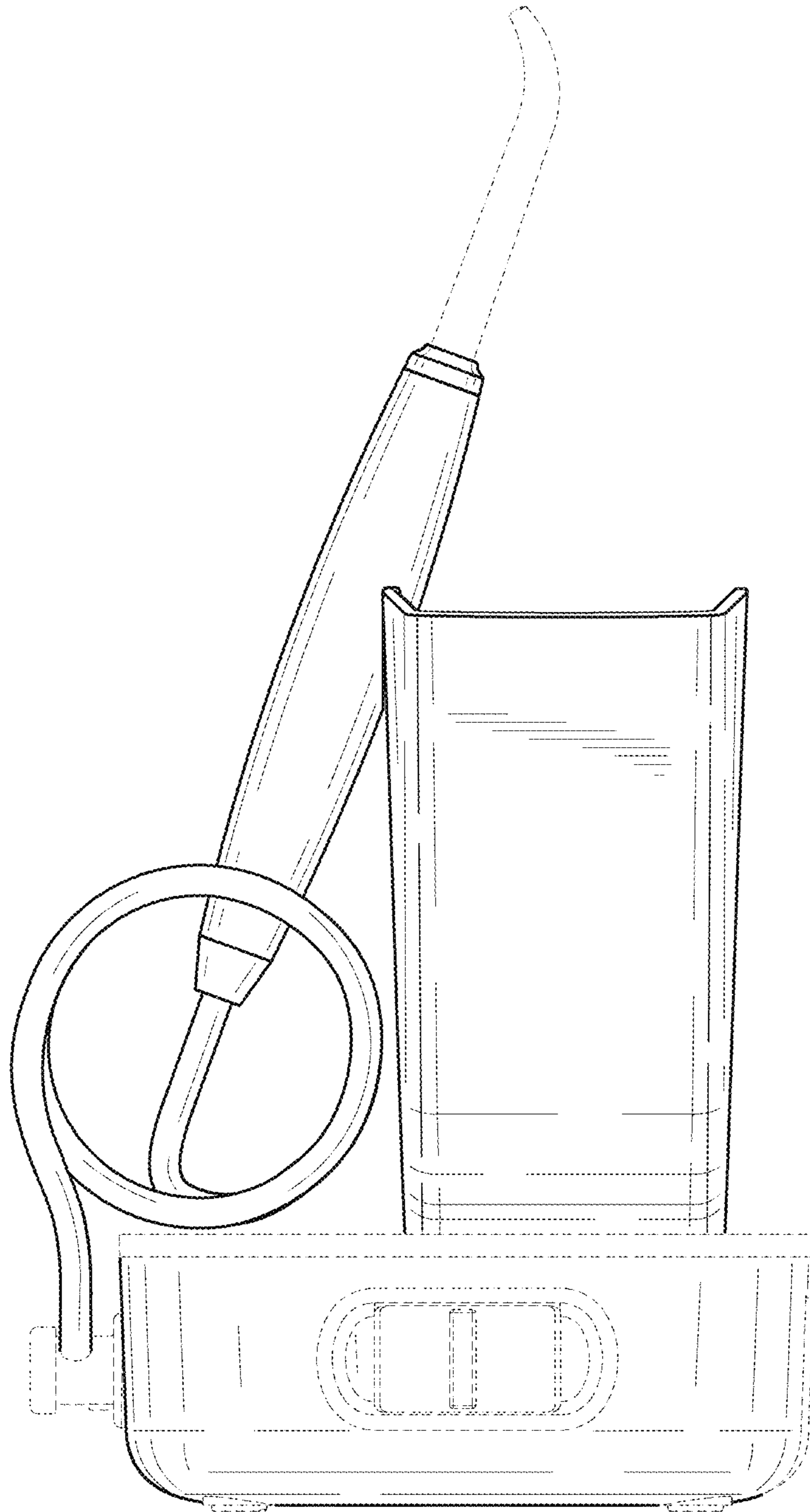


FIG. 6

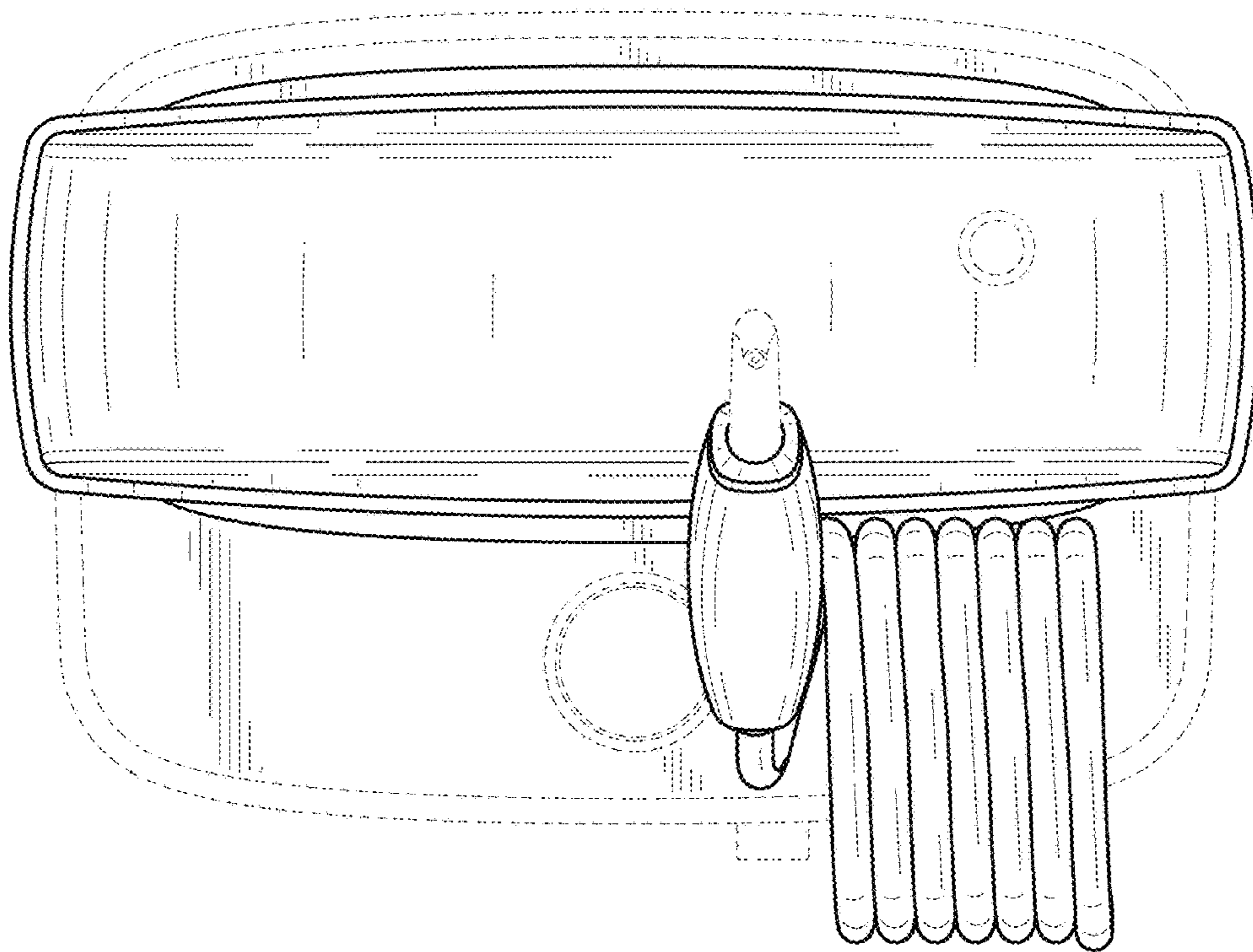


FIG. 7

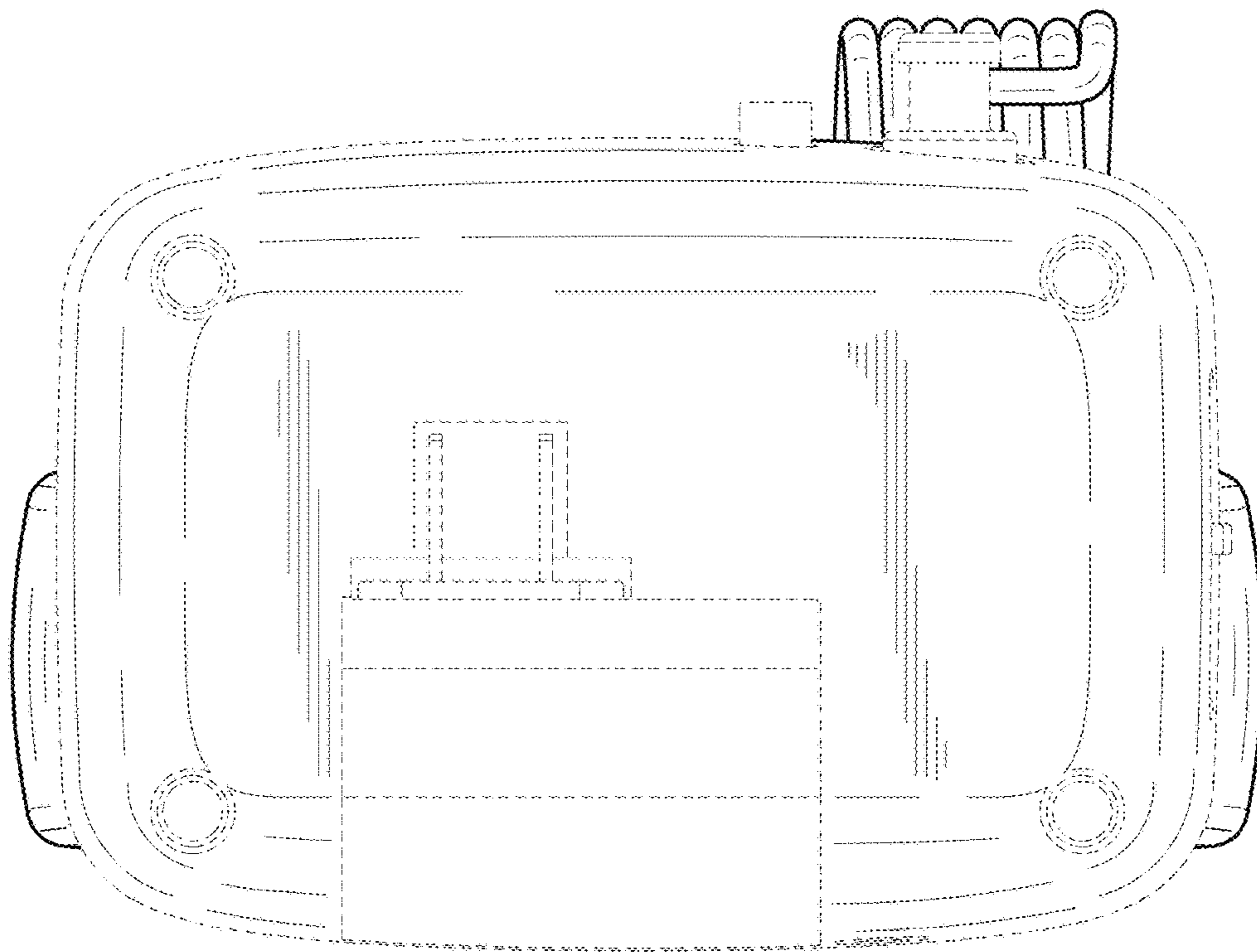


FIG. 8