



US00D794772S

(12) **United States Design Patent** (10) **Patent No.:** **US D794,772 S**
Cullen et al. (45) **Date of Patent:** **** Aug. 15, 2017**

(54) **CUSHION WITH CLIP FOR PATIENT INTERFACE**

(71) Applicant: **ResMed Limited**, Bella Vista, New South Wales (AU)

(72) Inventors: **Christopher Samuel Cullen**, Sydney (AU); **Matthew Eves**, Sydney (AU); **Memduh Guney**, Sydney (AU); **Michael Charles La Guzza**, Sydney (AU); **Lochlan Von Moger**, Sydney (AU); **Rupert Christian Scheiner**, Sydney (AU); **Amal Shirley Amarasinghe**, Sydney (AU)

(73) Assignee: **ResMed Limited**, Bella Vista (AU)

(**) Term: **15 Years**

(21) Appl. No.: **29/538,711**

(22) Filed: **Sep. 8, 2015**

Related U.S. Application Data

(62) Division of application No. 29/476,296, filed on Dec. 12, 2013, now Pat. No. Des. 740,935.

(51) **LOC (10) Cl.** **29-02**

(52) **U.S. Cl.**
USPC **D24/110.4**

(58) **Field of Classification Search**
USPC D24/110, 110.1–110.6, 127; 128/202.27, 128/204.21, 205.25, 205.27,

(Continued)

(56) **References Cited**

U.S. PATENT DOCUMENTS

D464,426 S * 10/2002 Palkon D24/110.1
D494,675 S 8/2004 Guney et al.

(Continued)

OTHER PUBLICATIONS

Cullen et al., U.S. Appl. No. 29/476,296, filed Dec. 12, 2013 (parent application).

Primary Examiner — Wan Laymon

Assistant Examiner — Mark Booker

(74) *Attorney, Agent, or Firm* — Nixon & Vanderhye P.C.

(57) **CLAIM**

The ornamental design for a cushion with clip for patient interface, as shown and described.

DESCRIPTION

FIG. 1 is a front perspective view of a cushion with clip for patient interface showing an embodiment according to our new ornamental design;

FIG. 2 is an enlarged perspective view thereof in isolation;

FIG. 3 is a front view thereof;

FIG. 4 is a rear view thereof;

FIG. 5 is a top view thereof;

FIG. 6 is a bottom view thereof;

FIG. 7 is a left side view thereof;

FIG. 8 is a right side view thereof;

FIG. 9 is another perspective view thereof;

FIG. 10 is a front perspective view of a cushion with clip for patient interface showing an embodiment according to our new ornamental design;

FIG. 11 is an enlarged perspective view thereof in isolation;

FIG. 12 is a front view thereof;

FIG. 13 is a rear view thereof;

FIG. 14 is a top view thereof;

FIG. 15 is a bottom view thereof;

FIG. 16 is a left side view thereof;

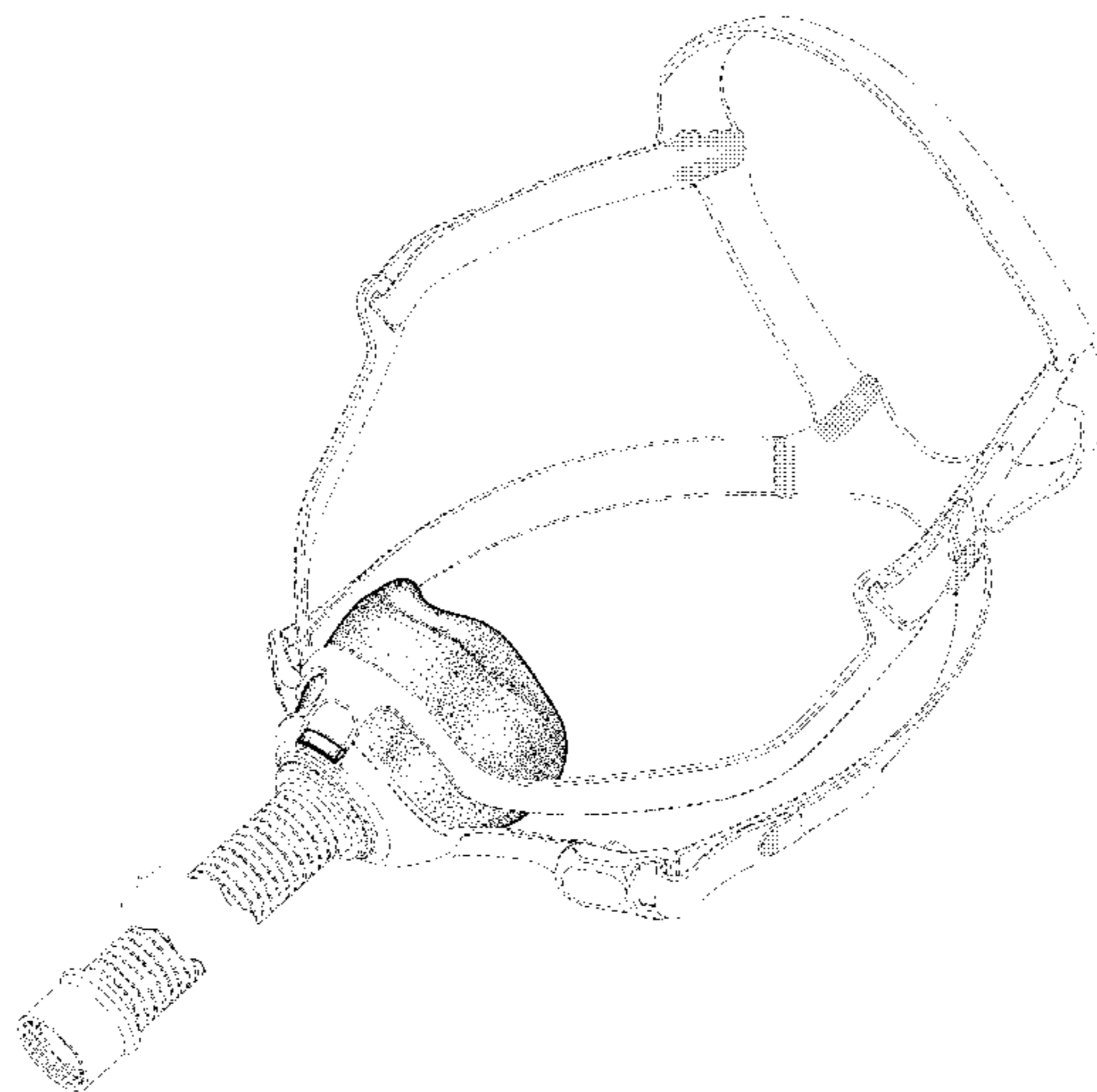
FIG. 17 is a right side view thereof; and,

FIG. 18 is another perspective view thereof.

The broken lines represent environment or structure and do not form a portion of the claimed design.

The use of different types of shading, e.g., stipple-type shading, line shading, etc., is intended to indicate different materials.

1 Claim, 12 Drawing Sheets



US D794,772 S

(58) **Field of Classification Search**

USPC 128/206.11–206.13, 206.28, 207.11,
 128/207.12, 207.13, 207.17, 207.18
 CPC A61M 16/0622; A61M 16/0616; A61M
 16/0816; A61M 16/08; A61M 16/0633;
 A61M 16/0666; A61M 2210/0618; A61M
 16/0683; A62B 18/08
 See application file for complete search history.

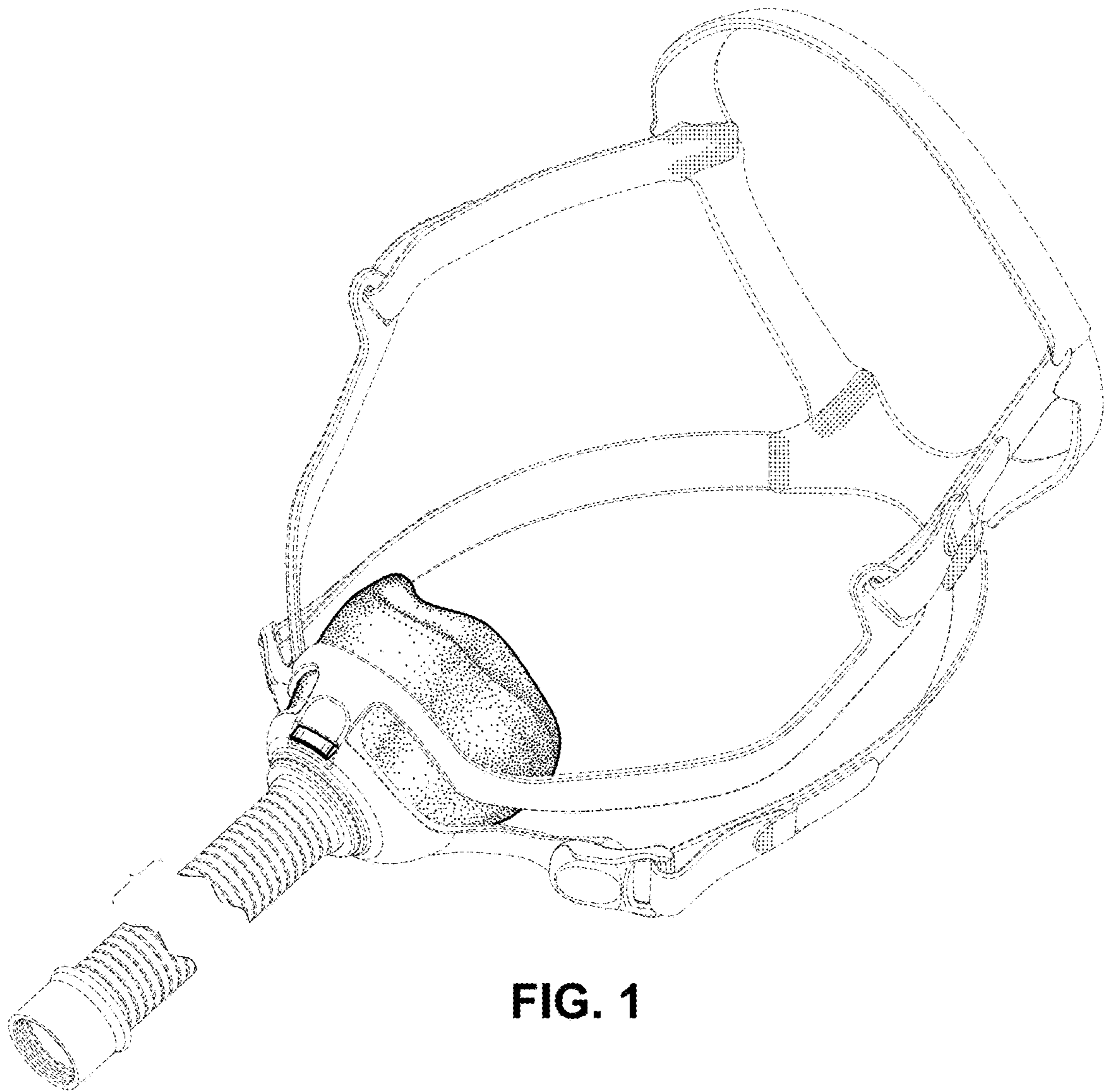
8,770,198	B2	7/2014	Yee et al.	
D713,759	S	9/2014	Guney et al.	
D717,945	S	11/2014	Neff et al.	
8,887,725	B2	11/2014	Hernandez et al.	
D758,564	S *	6/2016	Eves	D24/110.4
D770,035	S *	10/2016	Prentice	D24/110.1
2008/0257354	A1	10/2008	Davidson et al.	
2009/0032026	A1	2/2009	Price et al.	
2009/0145429	A1	6/2009	Ging et al.	
2009/0151729	A1	6/2009	Judson et al.	
2010/0116272	A1	5/2010	Row et al.	
2010/0132717	A1	6/2010	Davidson et al.	
2010/0319688	A1	12/2010	Amarasinghe	
2011/0041855	A1	2/2011	Gunaratnam et al.	
2011/0056497	A1	3/2011	Scheiner et al.	
2011/0155140	A1	6/2011	Ho et al.	
2011/0259340	A1	10/2011	Witt et al.	
2011/0308526	A1	12/2011	Ho et al.	
2012/0012114	A1	1/2012	Chandran et al.	
2012/0234326	A1 *	9/2012	Mazzone	A61M 16/06 128/206.26
2013/0037030	A1	2/2013	Matula, Jr.	
2013/0092170	A1	4/2013	Davidson et al.	
2013/0104902	A1	5/2013	Ho et al.	
2013/0199537	A1	8/2013	Formica et al.	
2013/0239973	A1	9/2013	Scheiner et al.	
2013/0263858	A1	10/2013	Ho et al.	
2014/0158137	A1	6/2014	Ging et al.	
2014/0166018	A1	6/2014	Dravitzki et al.	
2014/0190486	A1	7/2014	Dunn et al.	
2014/0202466	A1	7/2014	Ho et al.	
2014/0236083	A1	8/2014	Sims	
2014/0261433	A1	9/2014	Guney	
2014/0290663	A1	10/2014	Rothermel	
2014/0326246	A1	11/2014	Chodkowski et al.	
2014/0326248	A1	11/2014	Haibach et al.	
2014/0366886	A1 *	12/2014	Chodkowski	A61M 16/06 128/206.24
2015/0144140	A1 *	5/2015	Eury	A61M 16/06 128/206.24
2015/0151067	A1 *	6/2015	Eury	A61M 16/06 128/205.25

(56) **References Cited**

U.S. PATENT DOCUMENTS

D496,098 S 9/2004 Guney et al.
 D530,007 S * 10/2006 Guney D24/110.1
 D532,512 S 11/2006 Amarasinghe
 D540,940 S 4/2007 Amarasinghe et al.
 D549,323 S 8/2007 Kwok et al.
 D556,901 S 12/2007 Davidson et al.
 D558,331 S 12/2007 Davidson et al.
 D560,796 S 1/2008 Jones et al.
 D562,729 S 2/2008 Hitchcock et al.
 D578,207 S 10/2008 D'Souza et al.
 D582,545 S * 12/2008 Omura D24/110.1
 D585,981 S * 2/2009 Moore D24/110.1
 D594,111 S * 6/2009 Reid D24/110.1
 D597,199 S 7/2009 Smart et al.
 D614,763 S * 4/2010 Maurer G06K 7/10801
 D24/110.1
 D626,646 S 11/2010 Lubke et al.
 D635,247 S 3/2011 Scheiner et al.
 D645,557 S 9/2011 Scheiner et al.
 8,042,542 B2 10/2011 Ging et al.
 D650,064 S 12/2011 Gunaratnam et al.
 D653,328 S 1/2012 Eves et al.
 D664,250 S 7/2012 Scheiner et al.
 D679,000 S * 3/2013 Skipper D24/110.1
 D682,419 S * 5/2013 Clarke D24/110.1
 8,522,784 B2 9/2013 Ng et al.
 D692,554 S 10/2013 Siew et al.
 D693,459 S 11/2013 Prentice et al.
 D695,887 S 12/2013 Ozolins et al.
 D696,396 S 12/2013 Eves et al.

* cited by examiner



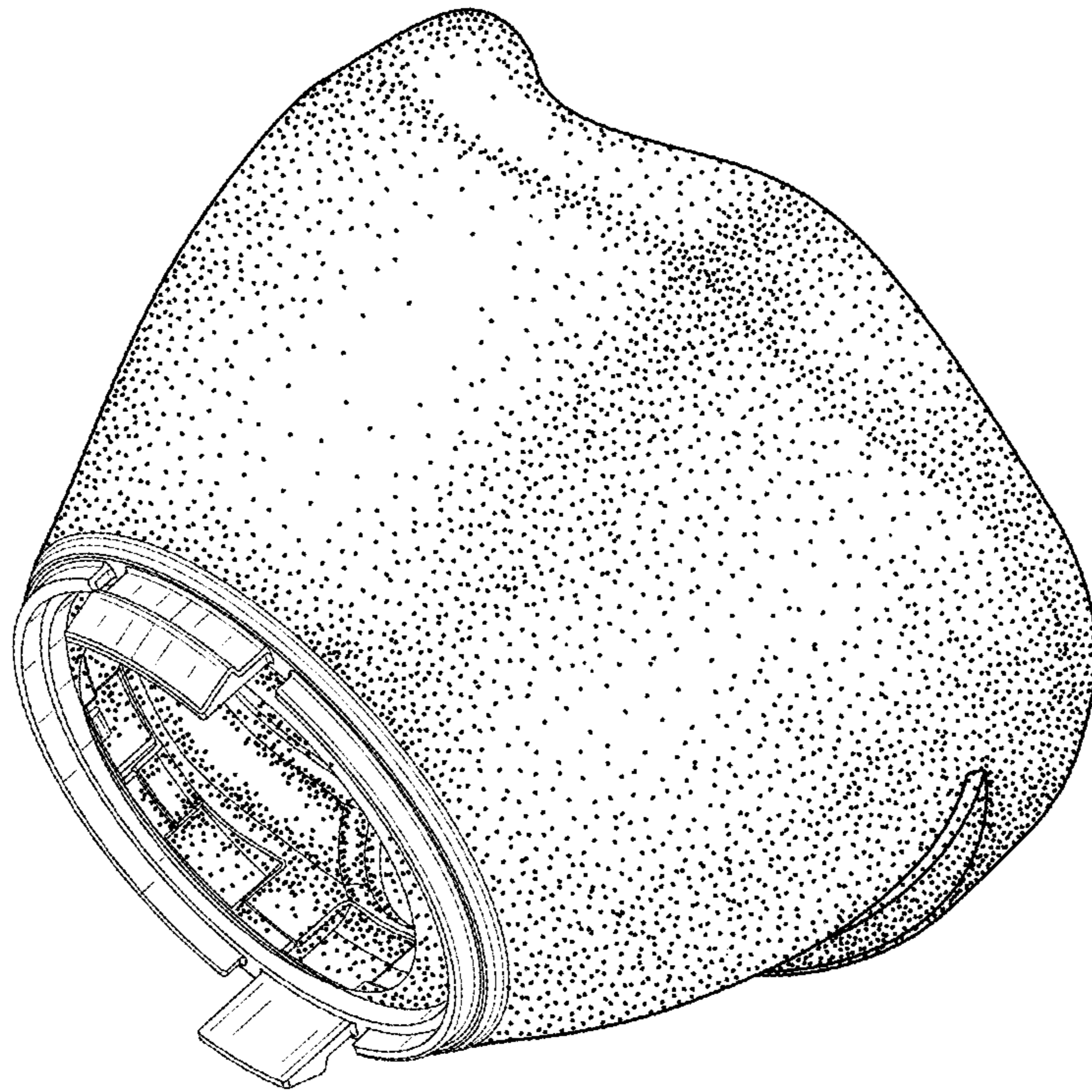


FIG. 2

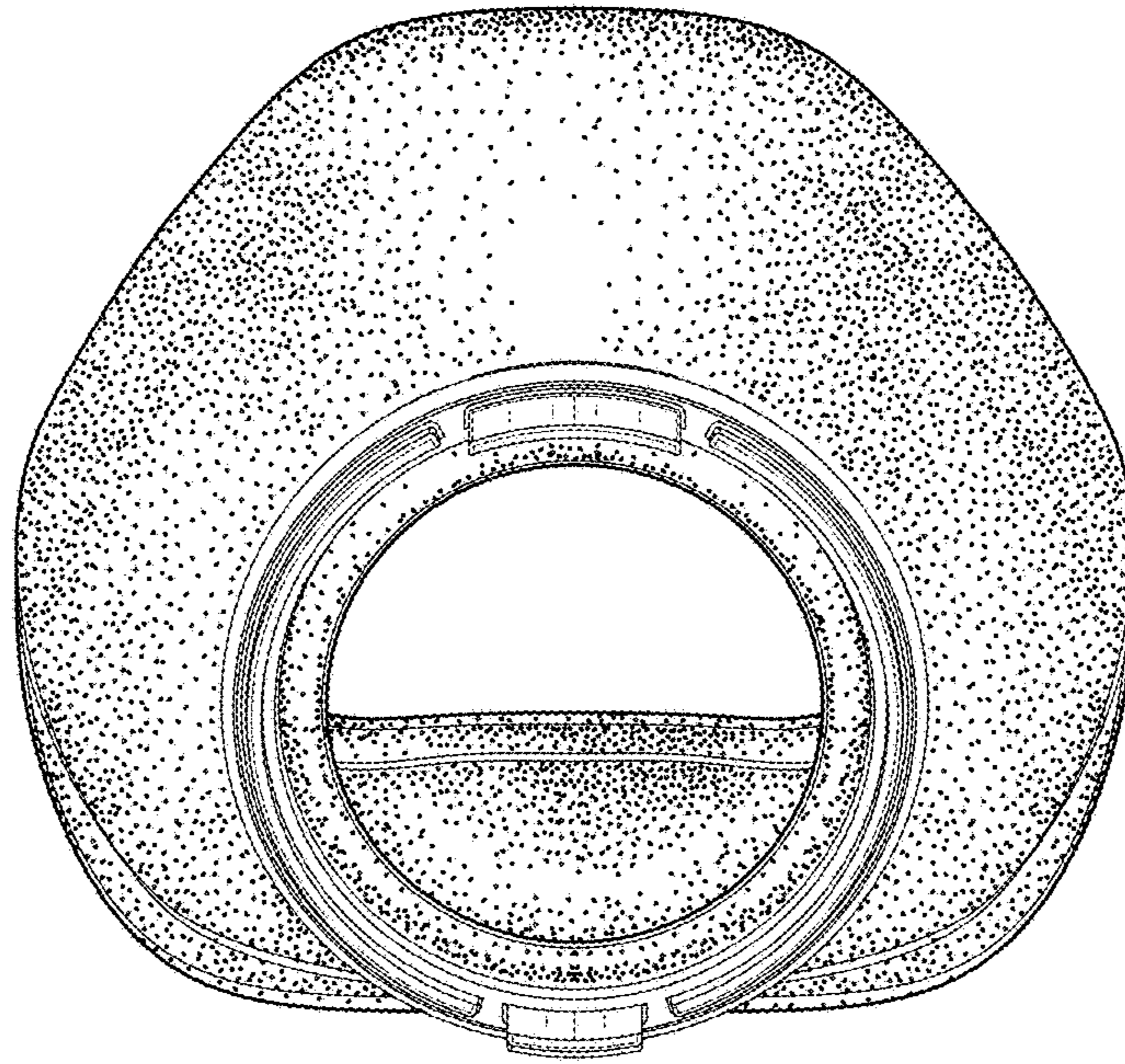


FIG. 3

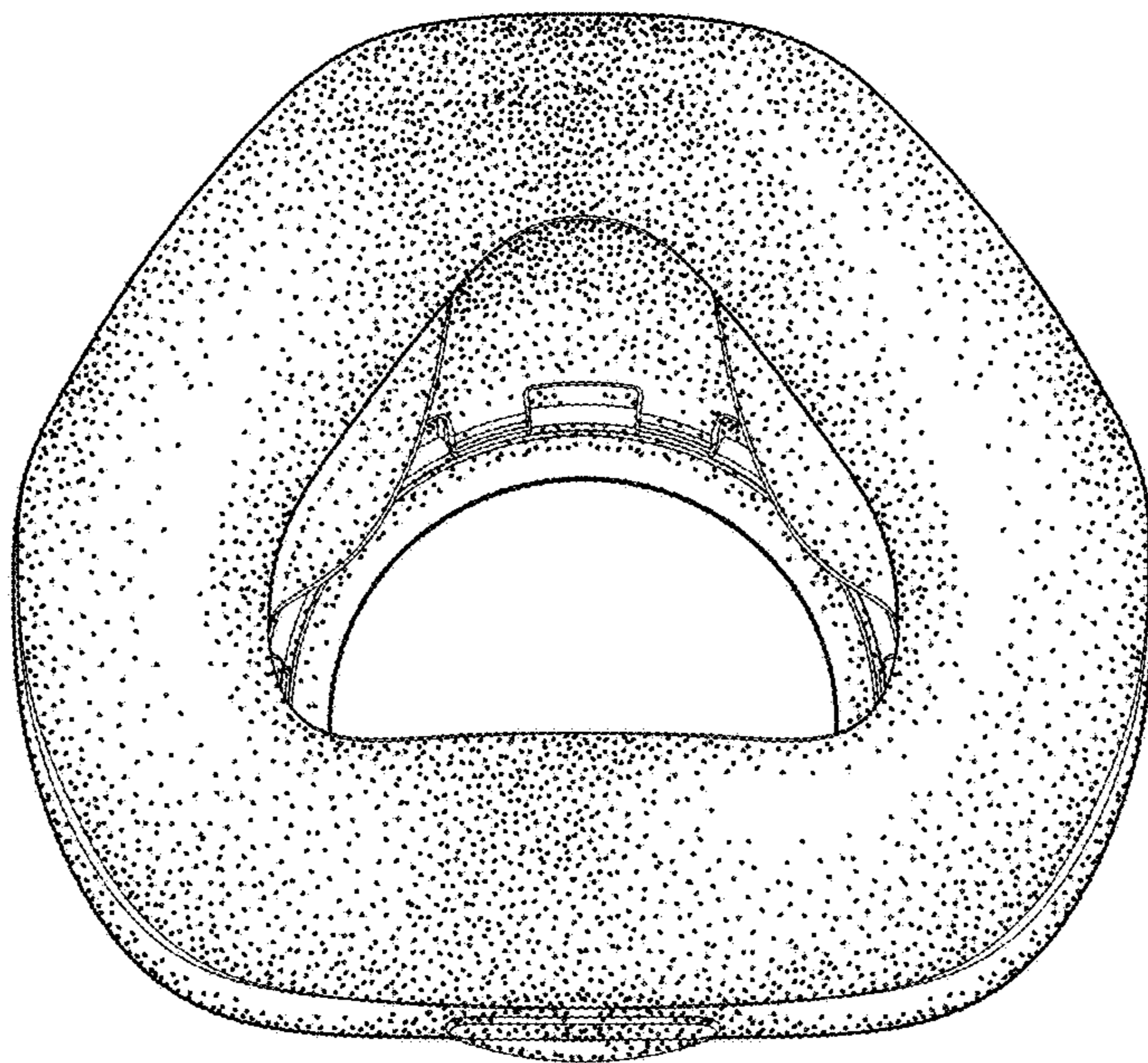


FIG. 4

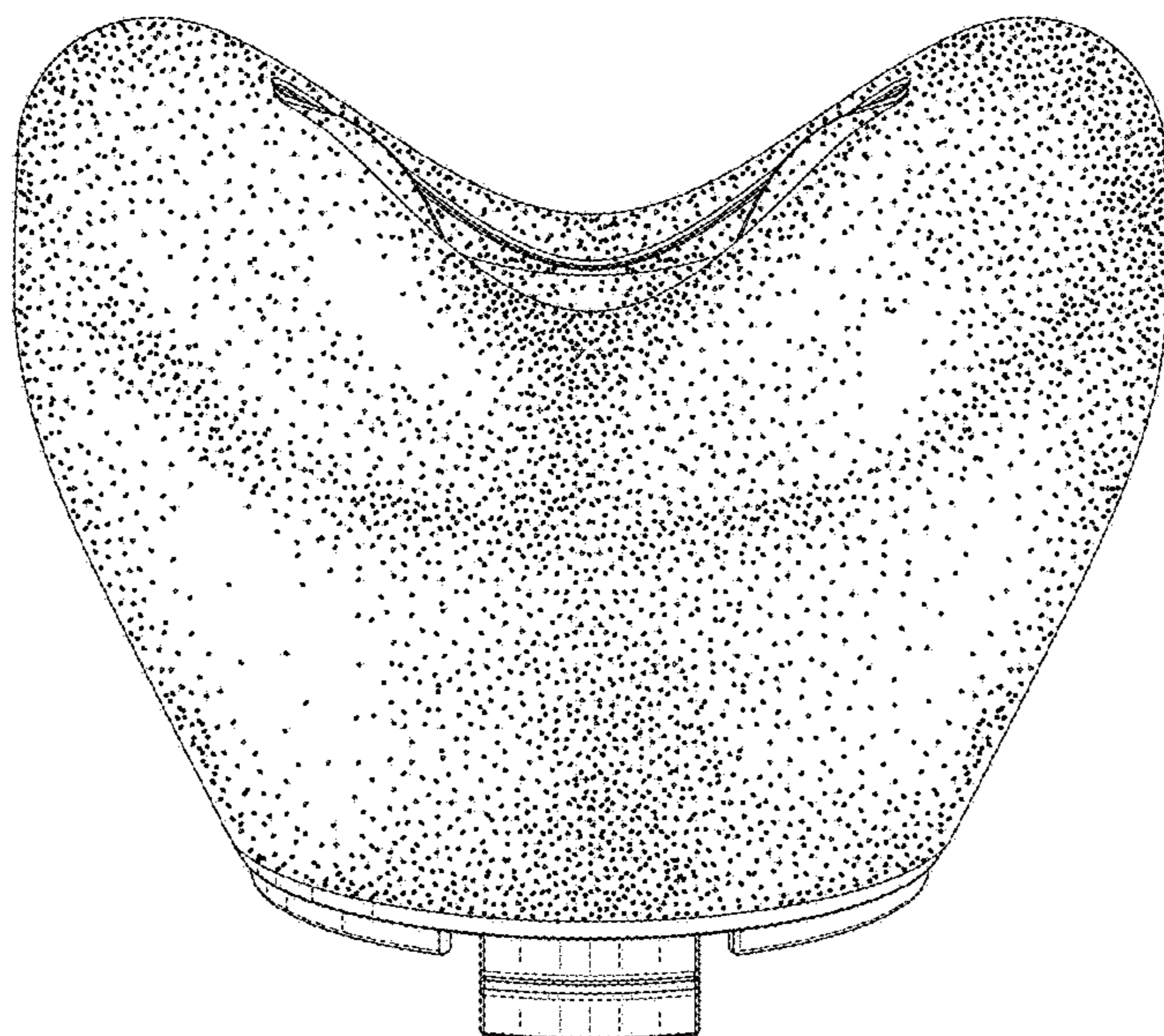


FIG. 5

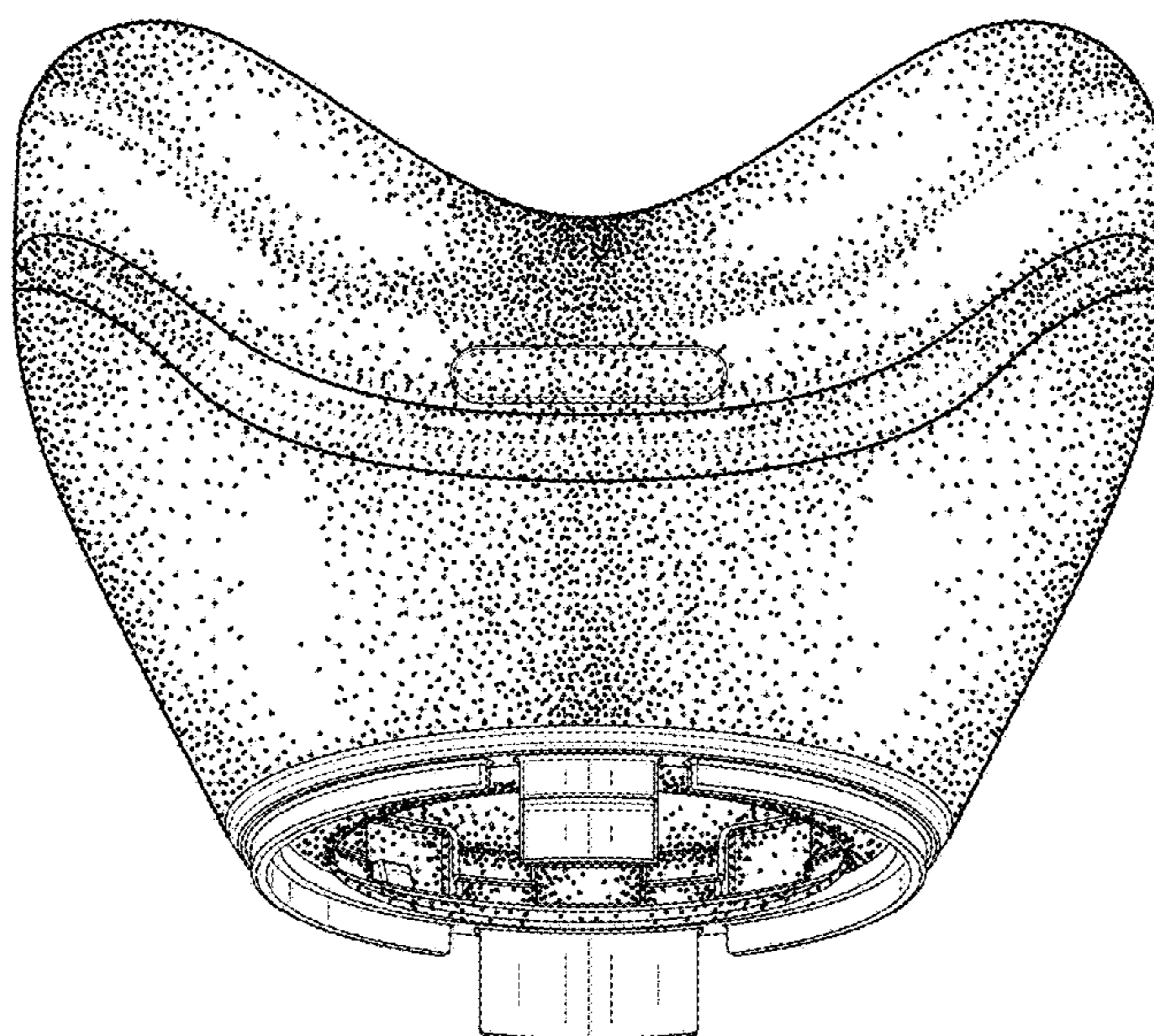


FIG. 6

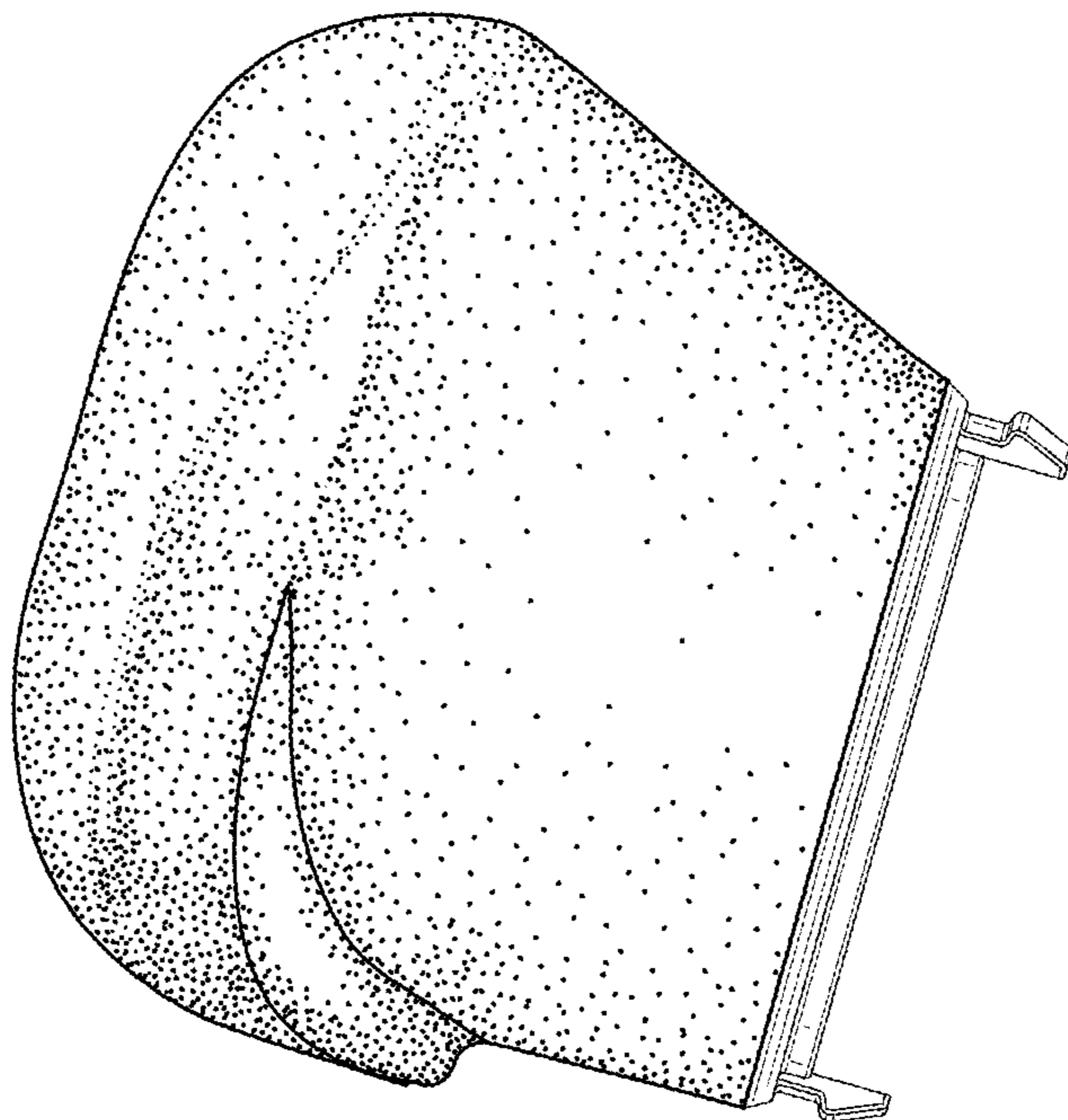


FIG. 7

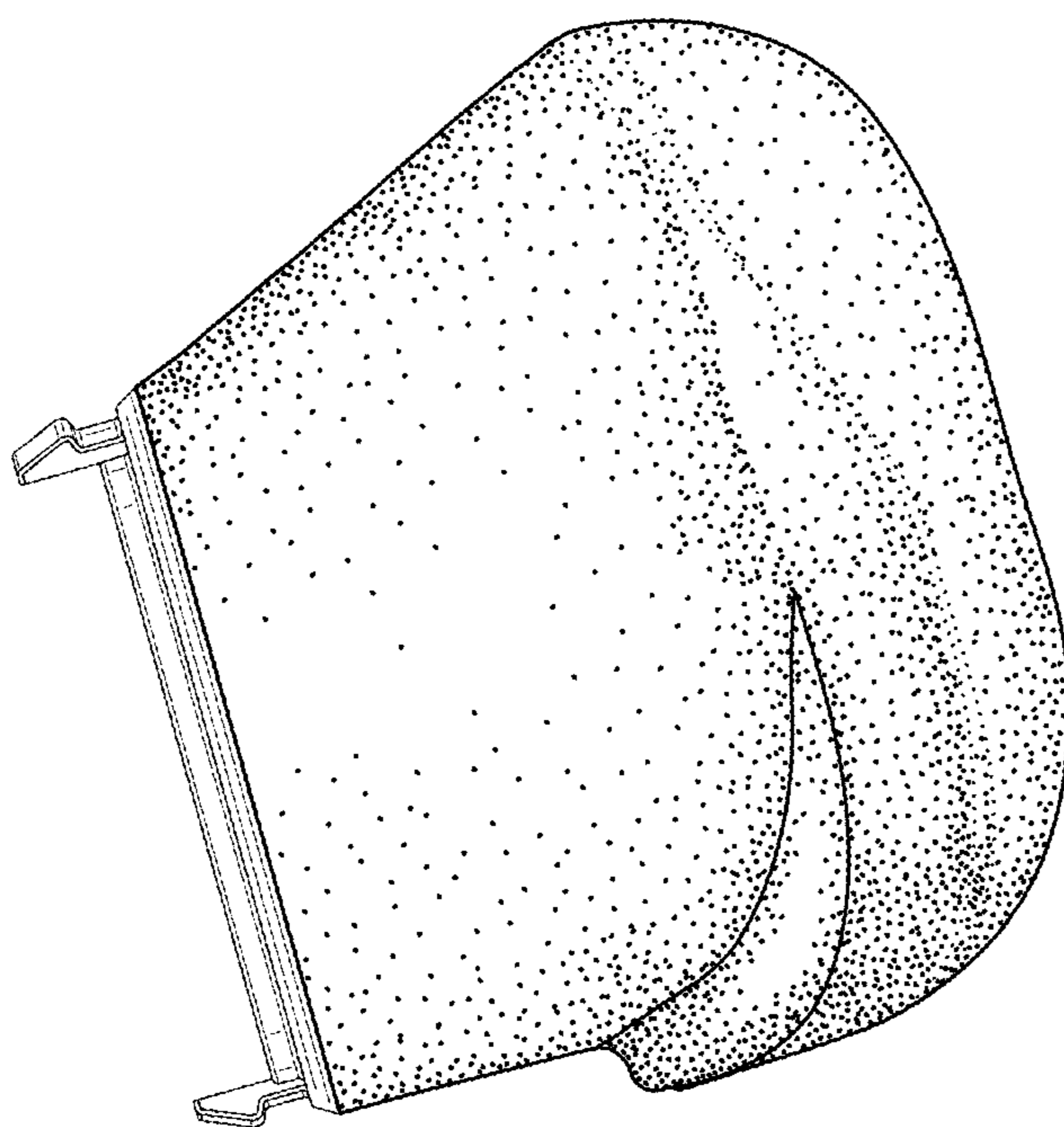


FIG. 8

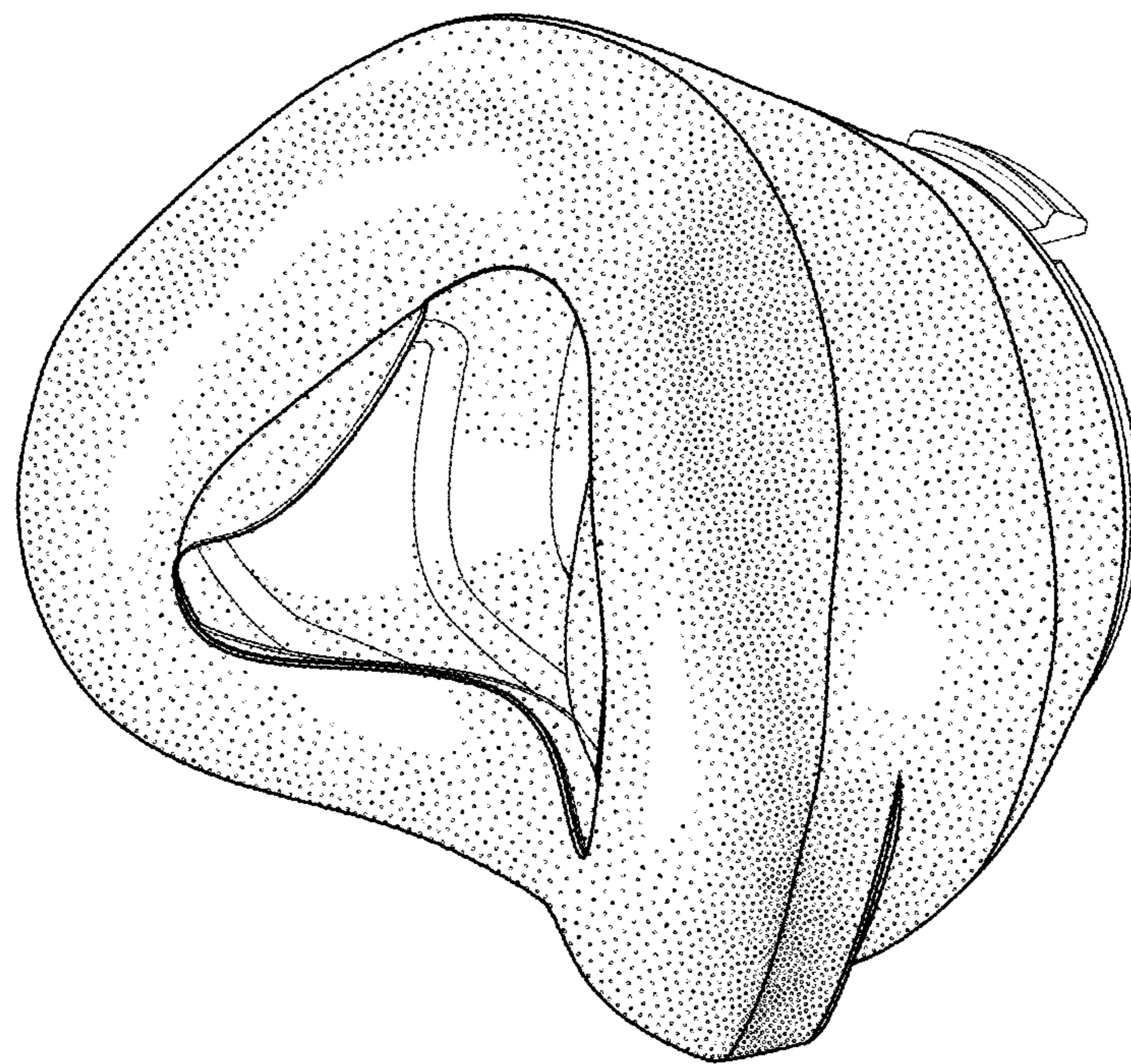


FIG. 9

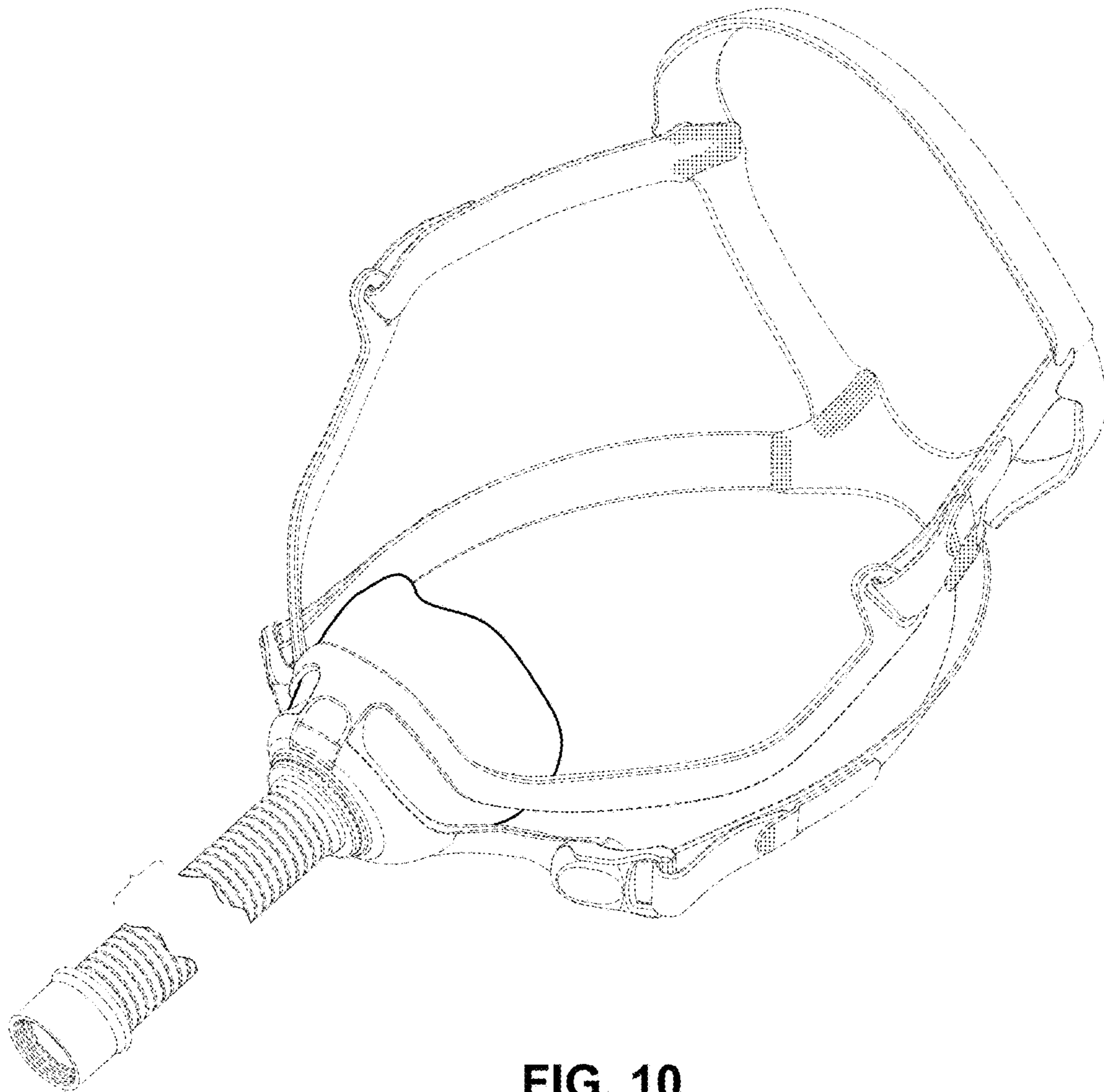


FIG. 10

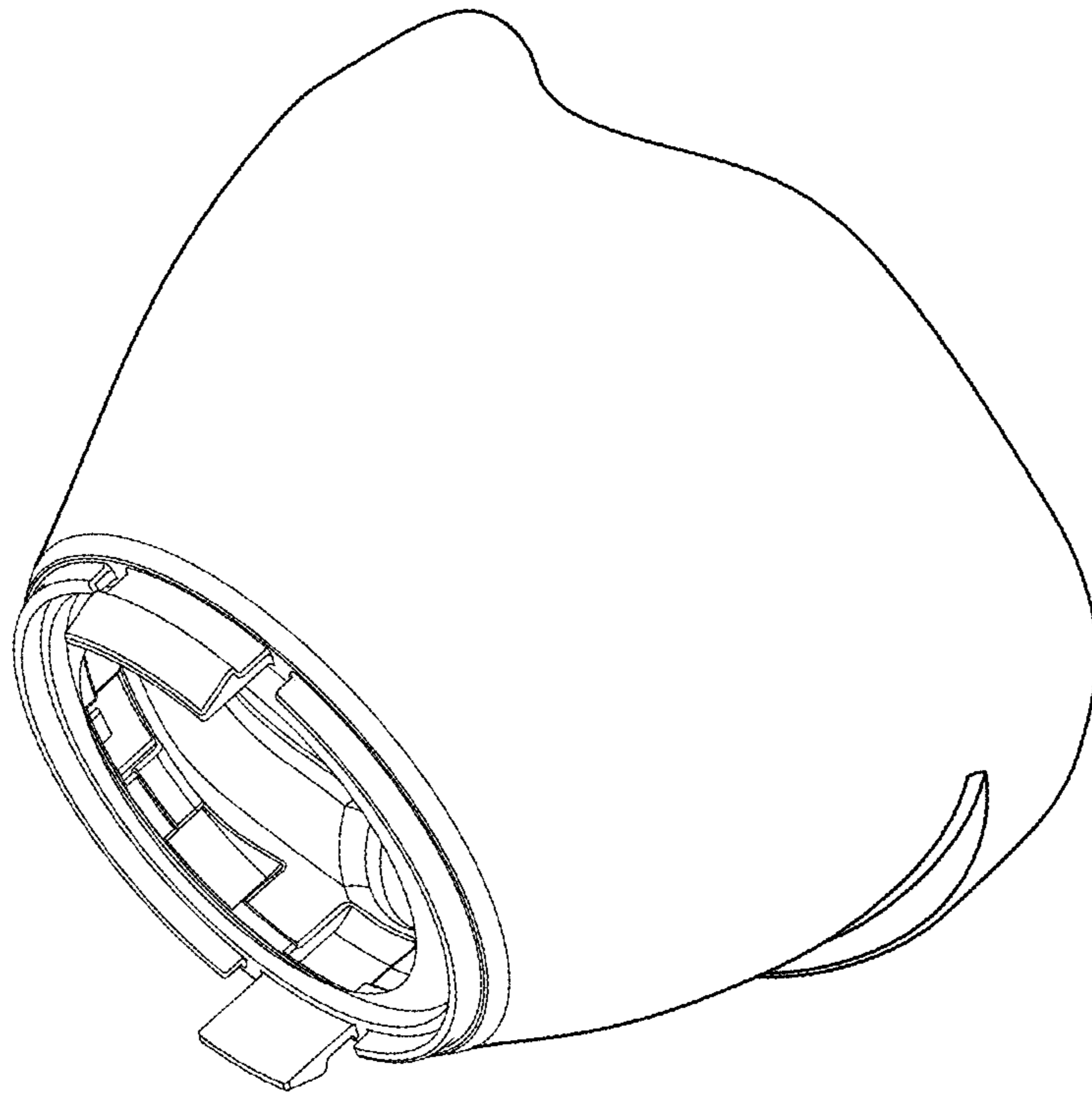


FIG. 11

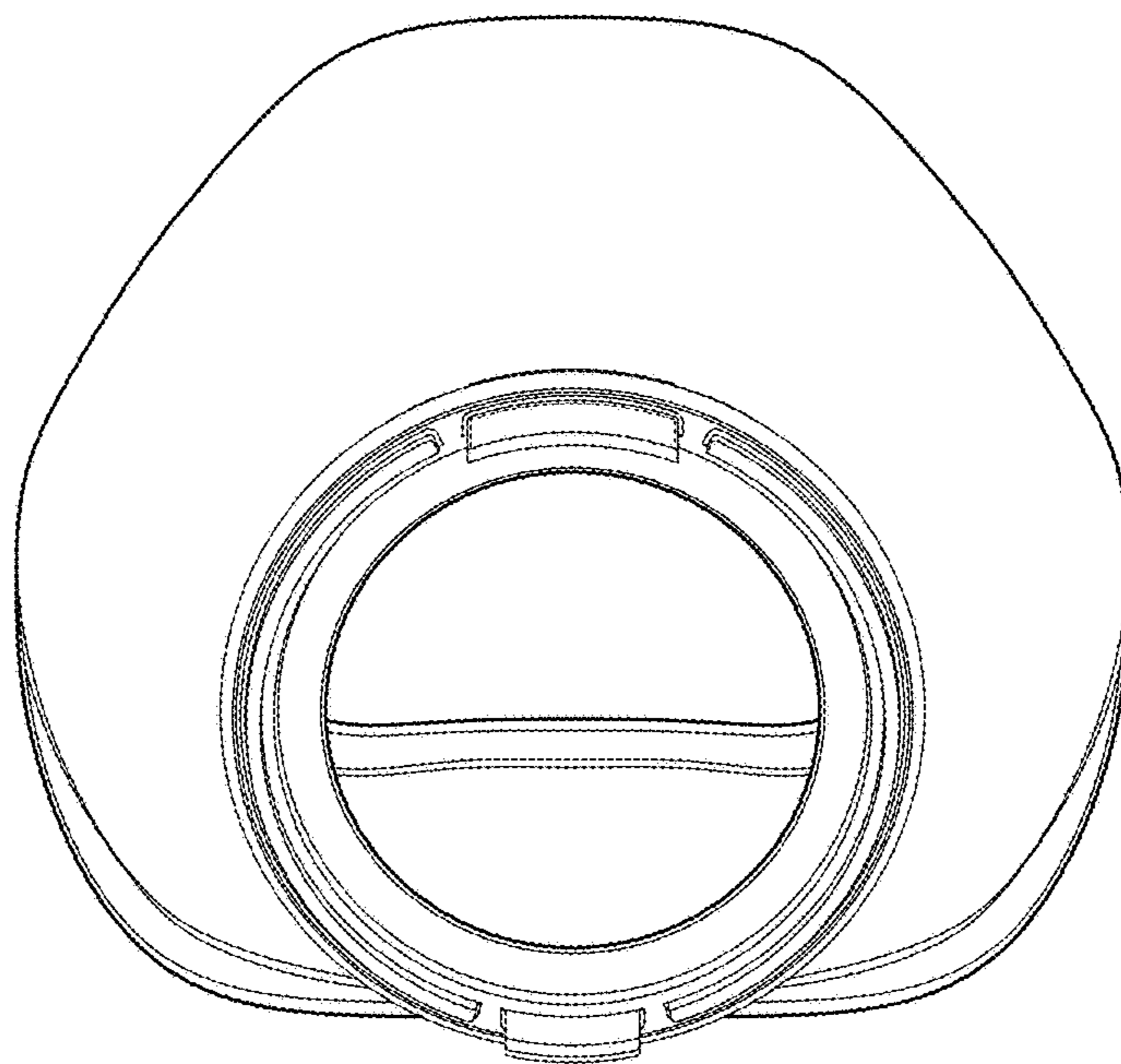


FIG. 12

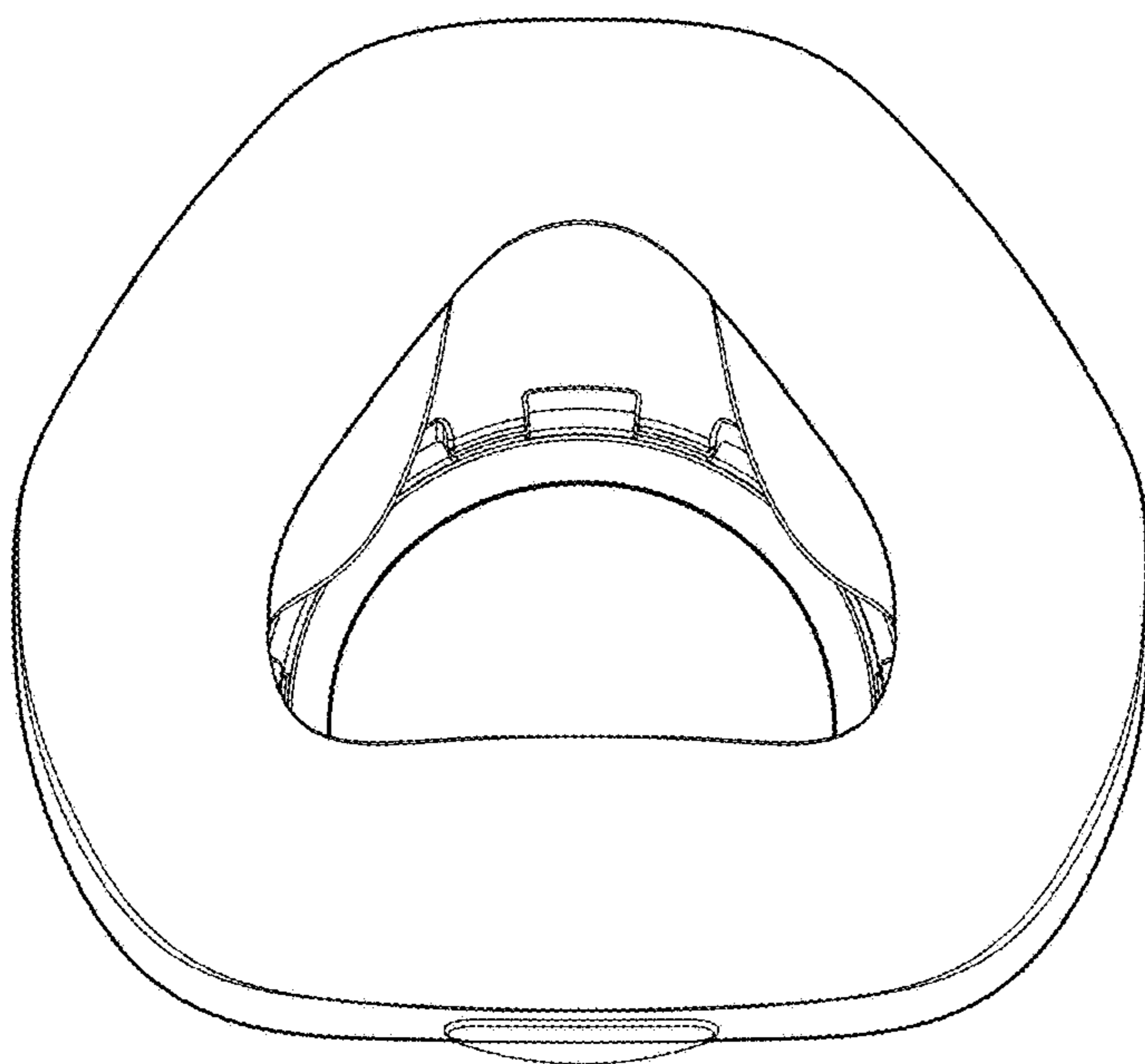


FIG. 13

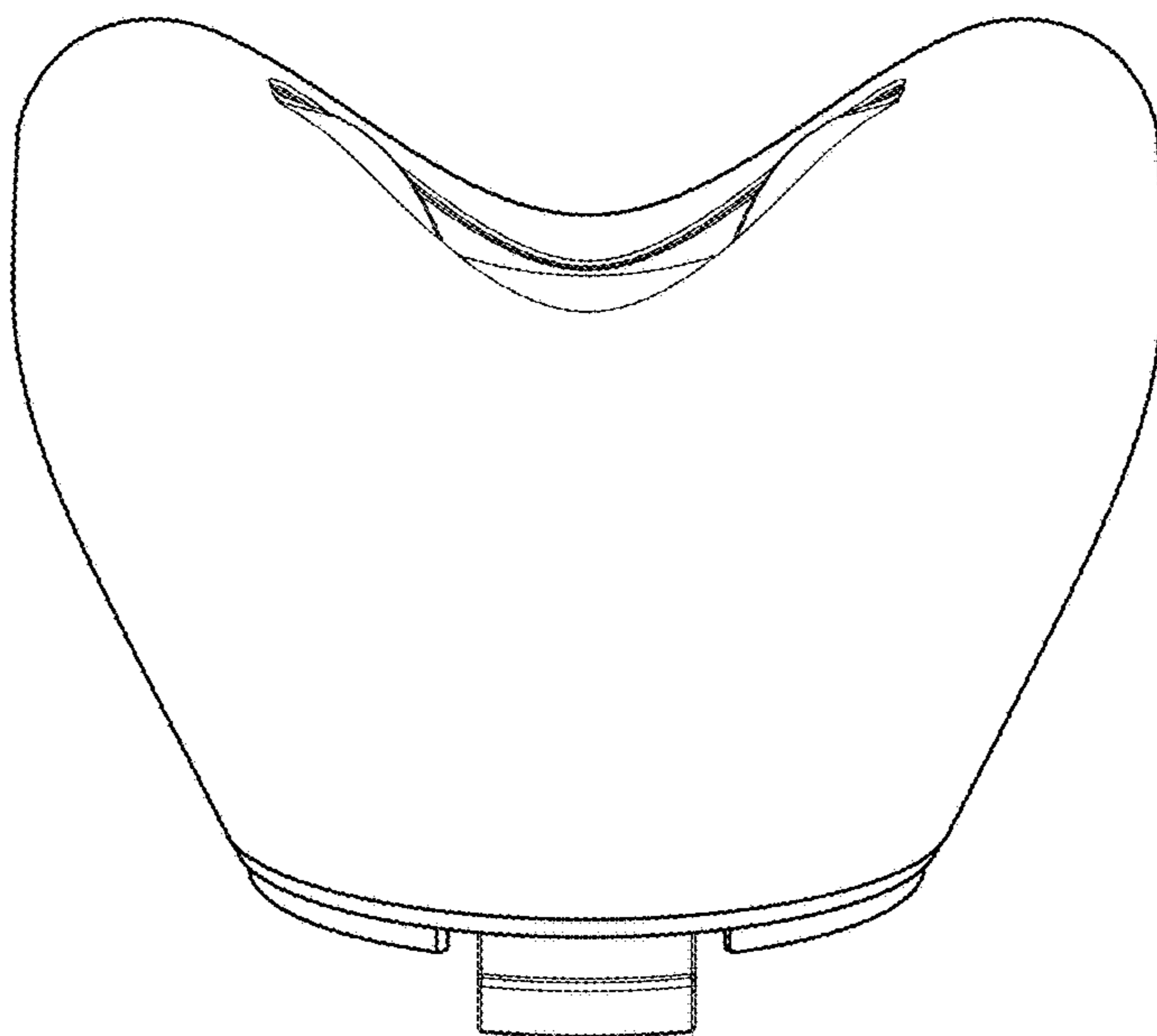


FIG. 14

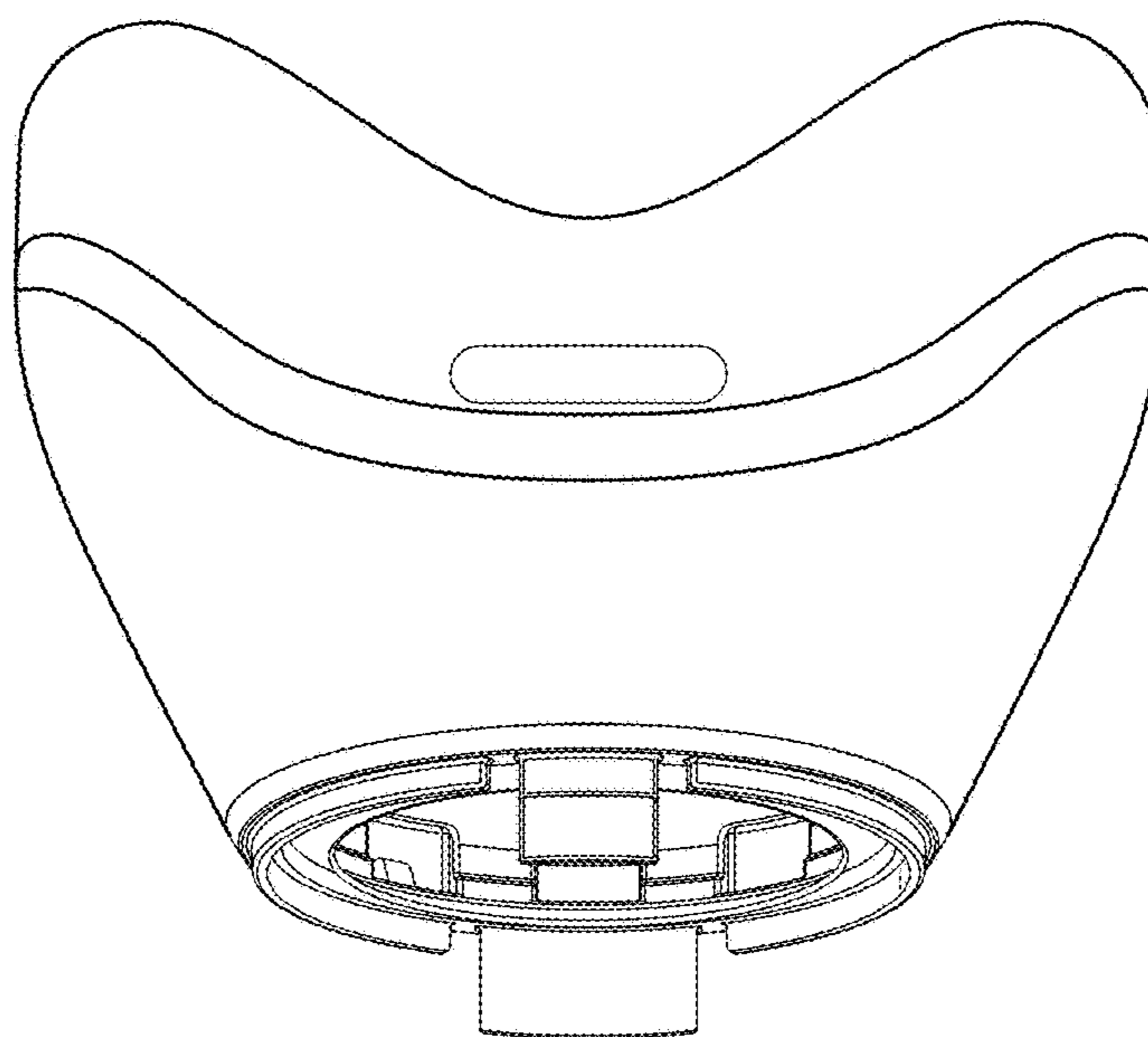


FIG. 15

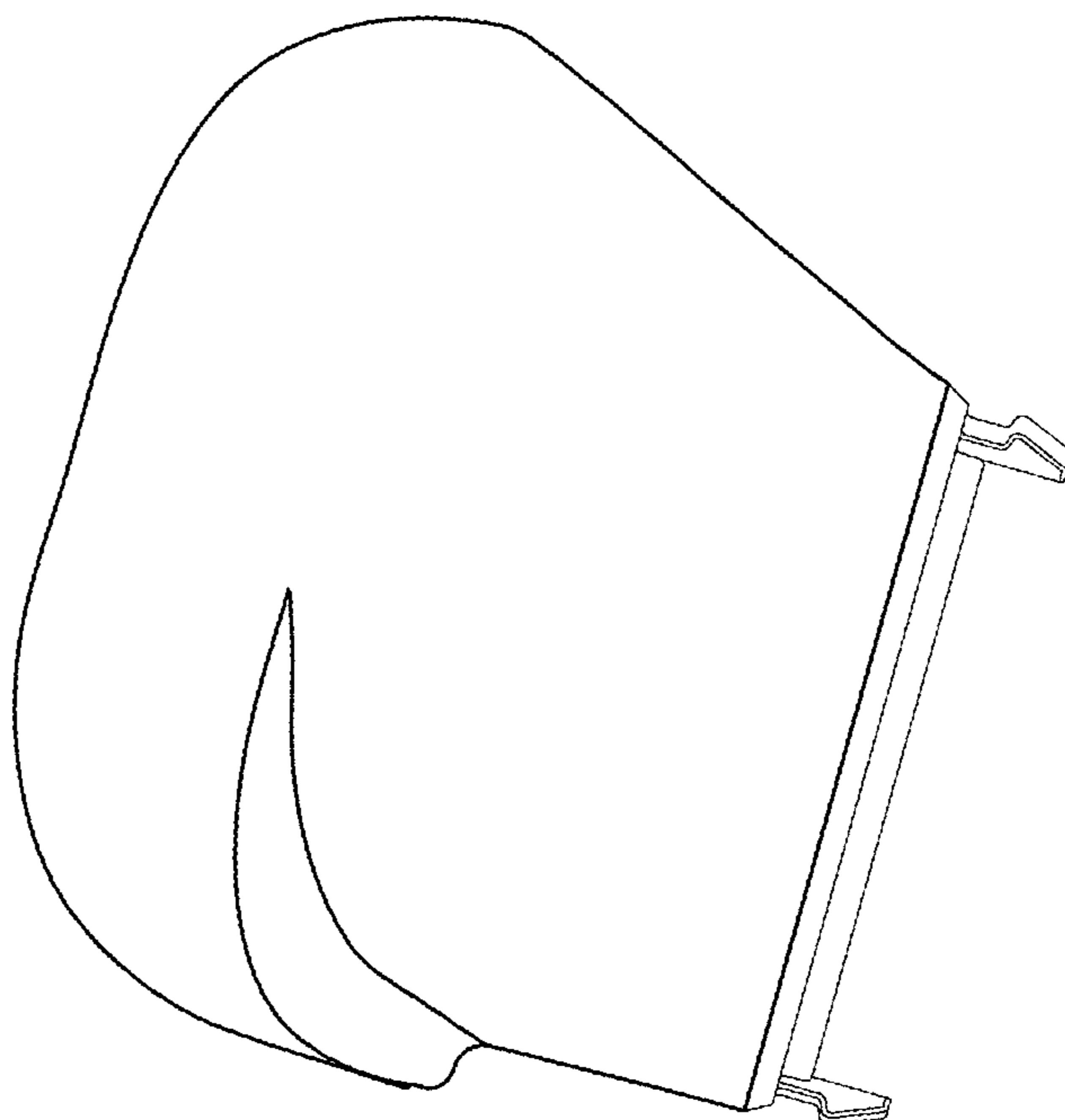


FIG. 16

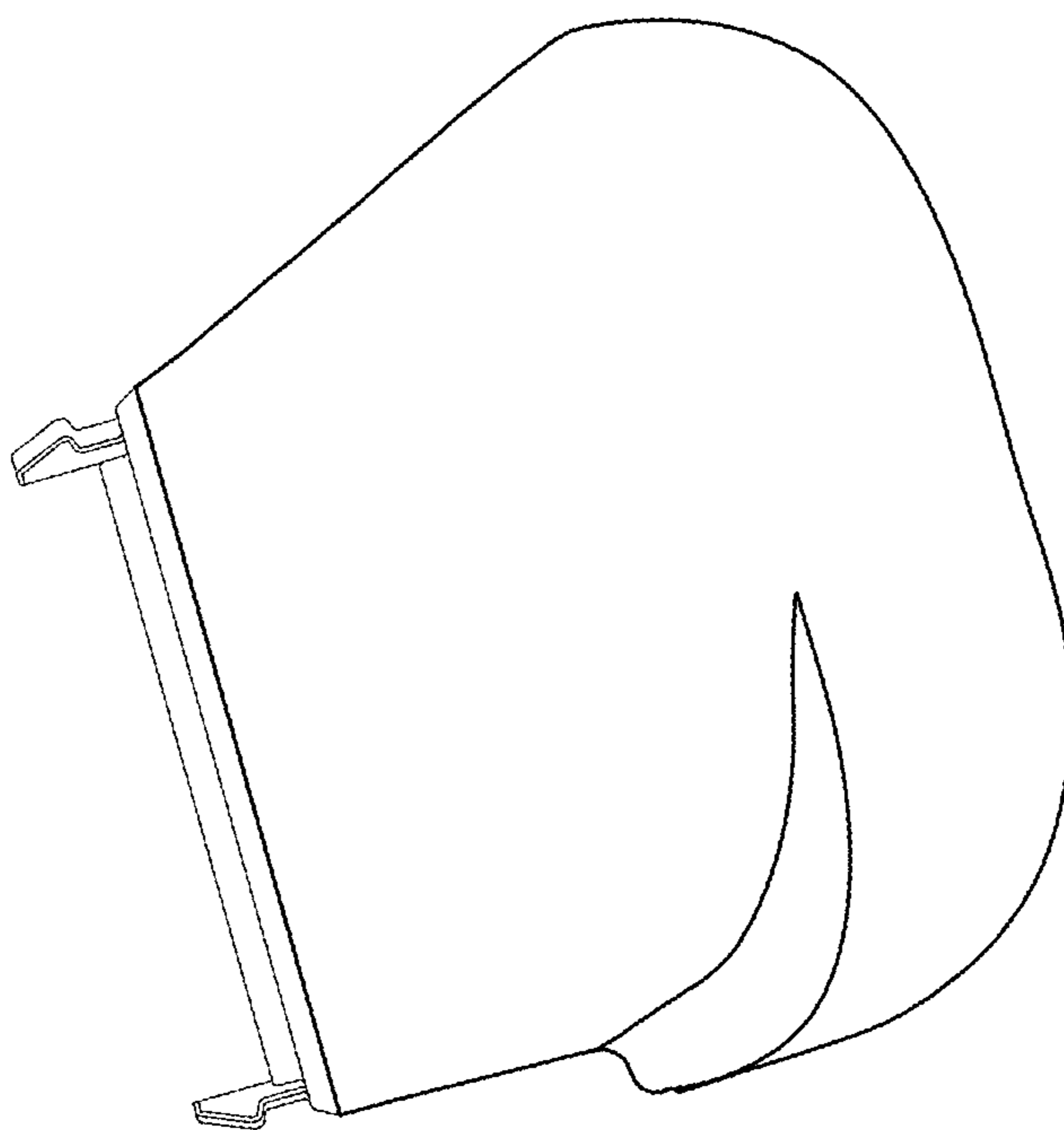


FIG. 17

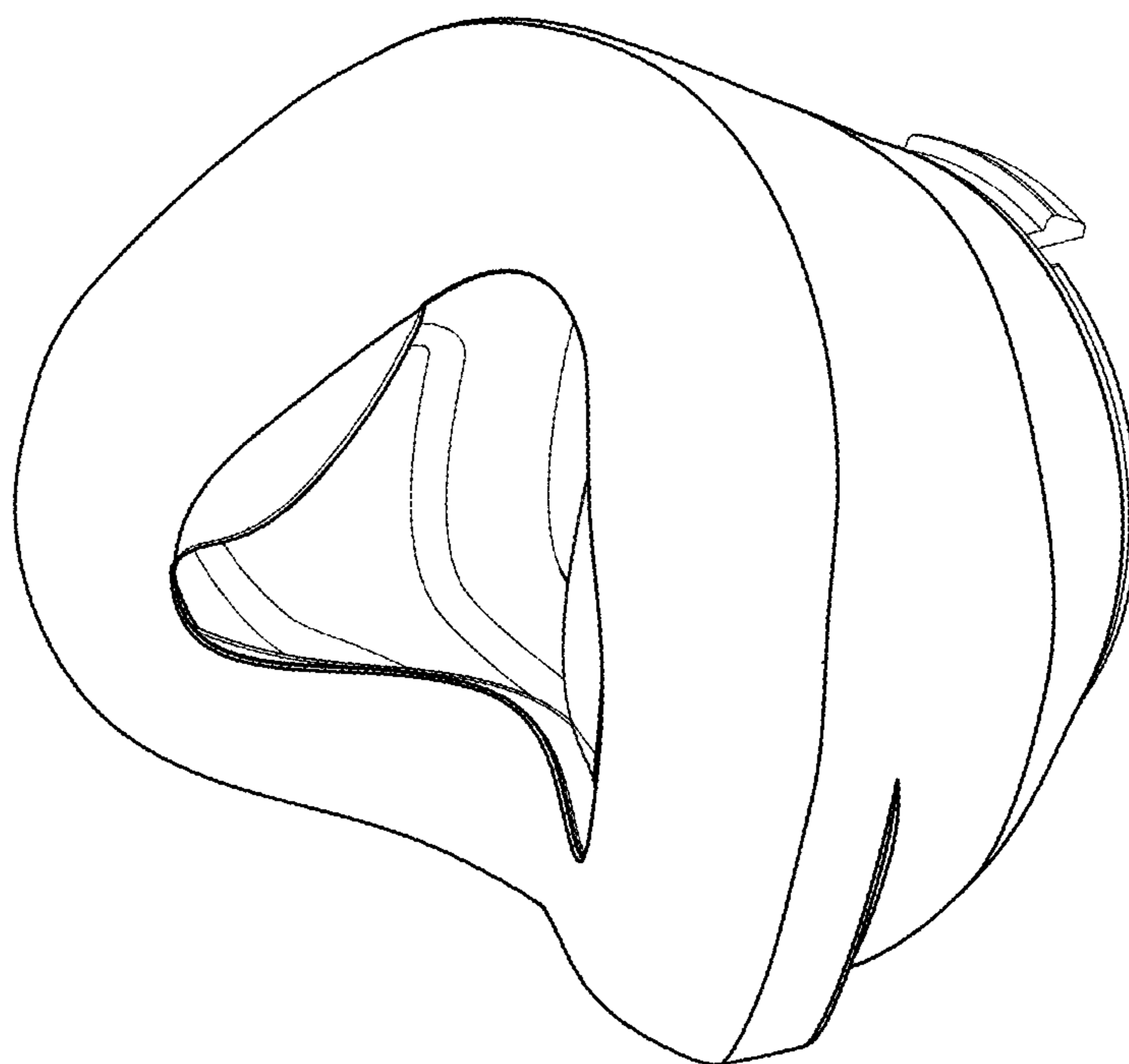


FIG. 18