



US00D794770S

(12) **United States Design Patent** (10) **Patent No.:** **US D794,770 S**  
**Wu et al.** (45) **Date of Patent:** **\*\* Aug. 15, 2017**

(54) **DRUG DELIVERY PUMP**  
(71) Applicant: **UNITRACT SYRINGE PTY LTD.**,  
Sydney (AU)  
(72) Inventors: **Kun-Chi Wu**, Princeton, NJ (US);  
**Lawton Laurence**, Phoenixville, PA  
(US)

7,479,135 B2 1/2009 Richter et al.  
7,611,503 B2 11/2009 Spohn et al.  
7,803,134 B2 9/2010 Sharifi et al.  
D629,503 S 12/2010 Caffey et al.  
7,846,132 B2 12/2010 Gravesen et al.  
7,905,859 B2 3/2011 Bynum et al.

(Continued)

**FOREIGN PATENT DOCUMENTS**

(73) Assignee: **Unitract Syringe Pty Ltd**, Sydney  
(AU)

EP 1702635 A2 9/2006  
EP 1341569 B1 1/2007

(Continued)

(\*\*) Term: **15 Years**

**OTHER PUBLICATIONS**

(21) Appl. No.: **29/531,569**

International Search Report and Written Opinion mailed, on Feb.  
28, 2013, in PCT/US2012/053241, filed Aug. 30, 2012.

(22) Filed: **Jun. 26, 2015**

(Continued)

(51) **LOC (10) Cl.** ..... **24-01**

(52) **U.S. Cl.**

USPC ..... **D24/108**

(58) **Field of Classification Search**

USPC ..... D24/107, 108, 111-113, 185, 188

CPC ..... A61M 5/20; A61M 5/30; A61M 5/142;

A61M 5/14228; A61M 2005/14208;

A61M 1/1039; A61M 5/14248; A61M

5/172; A61M 5/14566; A61M 5/14244;

A61M 2205/502

See application file for complete search history.

*Primary Examiner* — Barbara Fox

*Assistant Examiner* — Lilyana Bekic

(74) *Attorney, Agent, or Firm* — Wiley Rein LLP

(57)

**CLAIM**

The ornamental design for a drug delivery pump, as shown  
and described.

**DESCRIPTION**

(56) **References Cited**

**U.S. PATENT DOCUMENTS**

4,004,586 A 1/1977 Christensen et al.  
4,673,400 A 6/1987 Martin  
4,685,903 A 8/1987 Cable et al.  
4,755,173 A 7/1988 Konopka et al.  
4,840,620 A 6/1989 Kobayashi et al.  
5,167,816 A 12/1992 Kruger et al.  
5,795,339 A 8/1998 Erskine  
5,858,001 A 1/1999 Tsals et al.  
6,248,093 B1 6/2001 Moberg  
6,699,218 B2 3/2004 Flaherty et al.  
7,063,684 B2 6/2006 Moberg

FIG. 1 is a back view of a drug delivery pump, showing our  
novel design;

FIG. 2 is an isometric top view thereof;

FIG. 3 is a front view thereof;

FIG. 4 is a top view thereof;

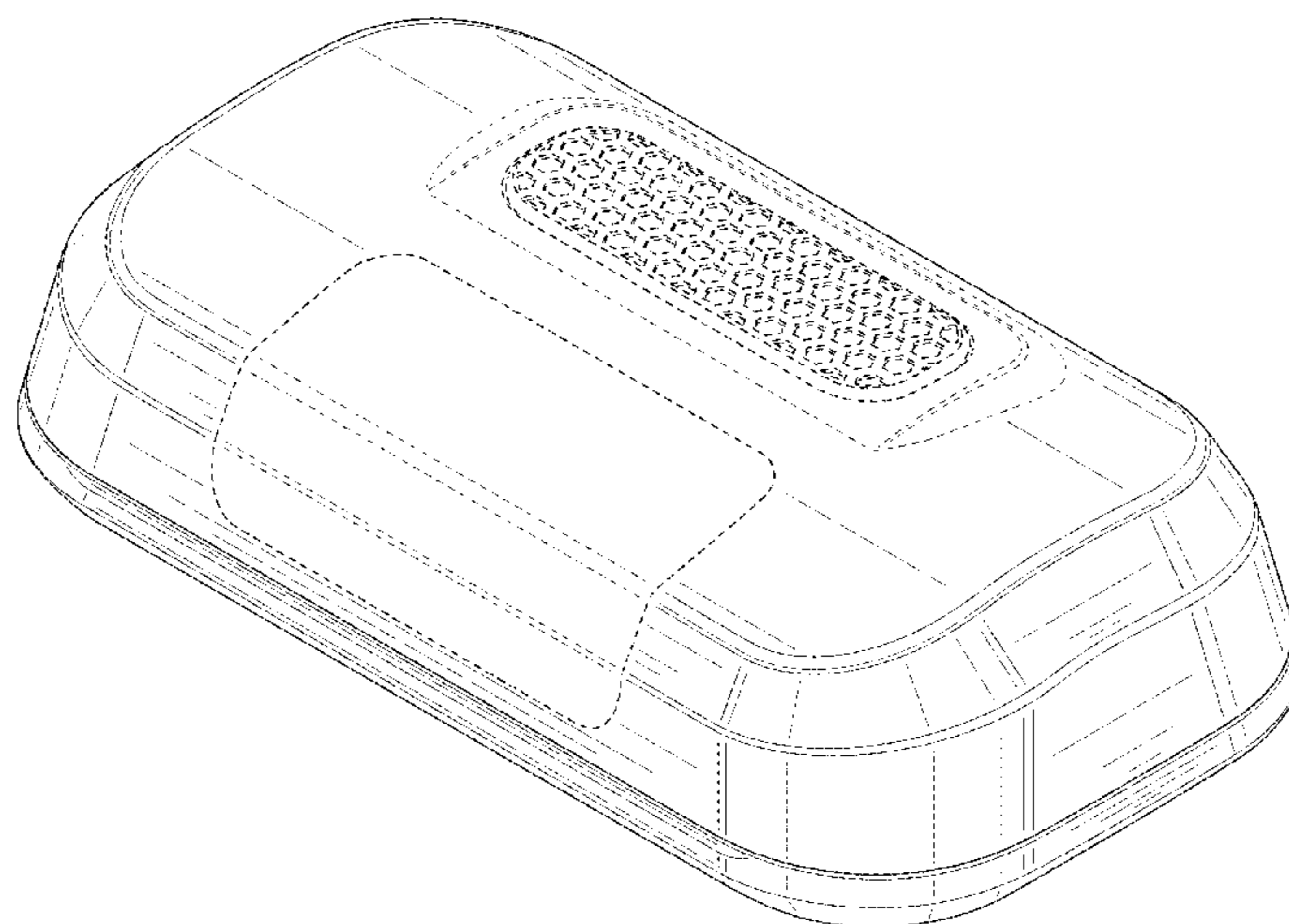
FIG. 5 is a bottom view thereof;

FIG. 6 is a right side view thereof; and,

FIG. 7 is a left side view thereof.

Broken lines in the drawings illustrate portions of the drug  
delivery pump that form no part of the claimed design.

**1 Claim, 6 Drawing Sheets**



(56)

References Cited

U.S. PATENT DOCUMENTS

7,927,306 B2\* 4/2011 Cross ..... A61M 5/1424  
604/151

7,967,795 B1 6/2011 Cabiri

7,976,493 B2\* 7/2011 Carter ..... A61M 5/14244  
604/67

8,029,472 B2 10/2011 Leinsing et al.

8,048,031 B2 11/2011 Shaw et al.

8,157,769 B2 4/2012 Cabiri

8,167,844 B2 5/2012 Dillard, III

8,187,232 B2 5/2012 Chong et al.

D685,083 S\* 6/2013 Schneider ..... D24/108

D685,084 S\* 6/2013 Guarraia ..... D24/108

D687,140 S\* 7/2013 Guarraia ..... D24/108

D687,141 S\* 7/2013 Schneider ..... D24/108

D687,536 S\* 8/2013 Guarraia ..... D24/108

D688,784 S\* 8/2013 Schneider ..... D24/108

8,915,879 B2\* 12/2014 Smith ..... A61M 5/145  
604/152

D723,157 S\* 2/2015 Clemente ..... D24/111

D745,142 S\* 12/2015 O'Connor ..... D24/111

2004/0092878 A1 5/2004 Flaherty

2007/0010789 A1 1/2007 Peter et al.

2008/0132842 A1 6/2008 Flaherty

2008/0269687 A1 10/2008 Chong et al.

2009/0093792 A1\* 4/2009 Gross ..... A61M 5/14566  
604/518

2009/0124979 A1 5/2009 Raymond et al.

2009/0204077 A1 8/2009 Hasted et al.

2009/0240240 A1\* 9/2009 Hines ..... A61M 5/14248  
604/890.1

2010/0168683 A1\* 7/2010 Cabiri ..... A61M 5/14248  
604/263

2011/0066131 A1\* 3/2011 Cabiri ..... A61M 5/14248  
604/411

2011/0166509 A1 7/2011 Gross et al.

2012/0035546 A1 2/2012 Cabiri

2012/0123354 A1 5/2012 Woehr

2013/0060196 A1\* 3/2013 O'Connor ..... A61M 5/14566  
604/152

2013/0066274 A1\* 3/2013 O'Connor ..... A61M 5/1452  
604/151

2014/0200510 A1\* 7/2014 Agard ..... A61M 5/3157  
604/65

2015/0057613 A1\* 2/2015 Clemente ..... A61M 5/14566  
604/148

2015/0080799 A1\* 3/2015 Schneider ..... A61M 5/14248  
604/151

2015/0190588 A1\* 7/2015 Hanson ..... A61M 5/158  
604/123

2015/0306307 A1\* 10/2015 Cole ..... A61M 5/14248  
604/508

2015/0359965 A1\* 12/2015 O'Connor ..... A61M 5/141  
604/123

2016/0158436 A1\* 6/2016 Yang ..... F04B 53/16  
604/113

FOREIGN PATENT DOCUMENTS

EP 1427471 B1 2/2008

EP 1695727 B1 7/2008

EP 1513580 B1 3/2009

EP 2077128 A1 7/2009

EP 2379134 A1 10/2011

EP 2429612 A1 3/2012

EP 2433663 A1 3/2012

WO 99/48546 A1 9/1999

WO 03/024504 A2 3/2003

WO 03/103763 A1 12/2003

WO 2004/062714 A1 7/2004

WO 2005/037350 A2 4/2005

WO 20081024808 A2 2/2008

WO 2010/084113 A1 7/2010

WO 20101077807 A1 7/2010

WO 2010/112377 A1 10/2010

WO 2010/132196 A1 11/2010

WO 2011/006652 A1 1/2011

WO 2011/090956 A2 7/2011

WO 2011/121023 A1 10/2011

WO 2012/131044 A1 10/2012

OTHER PUBLICATIONS

International Search Report and Written Opinion mailed, on Mar. 28, 2013, in PCT/US2012/053174, filed Aug. 30, 2012.

International Search Report and Written Opinion mailed, on Feb. 18, 2013, in PCT/US2012/054861, filed Sep. 12, 2012.

Preliminary Amendment and Application Data Sheet filed, on Jul. 9, 2012, in U.S. Appl. No. 13/521,181, filed Jul. 9, 2012.

\* cited by examiner

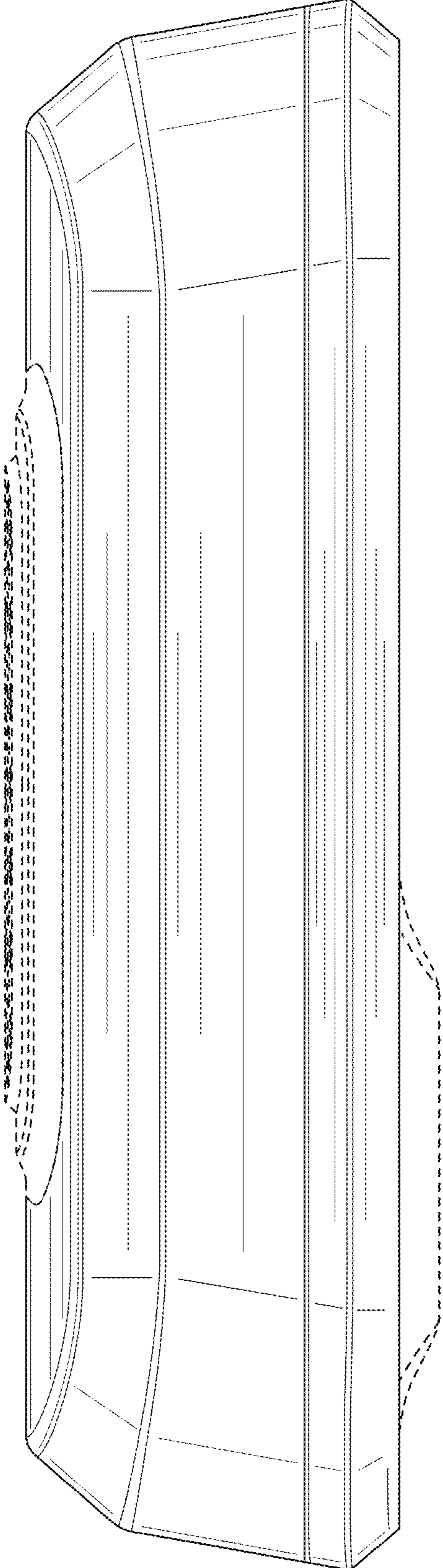


FIG. 1



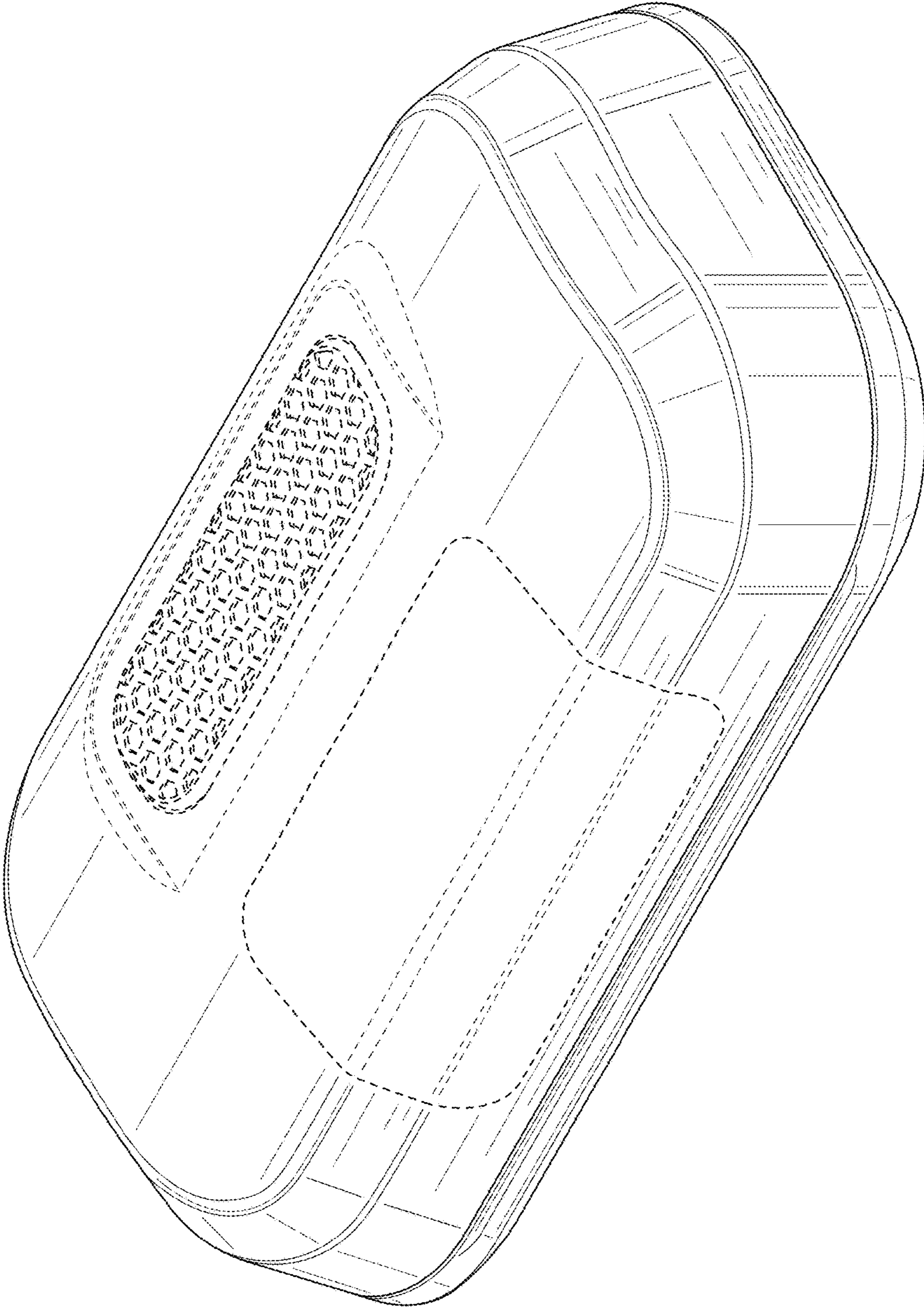


FIG. 2

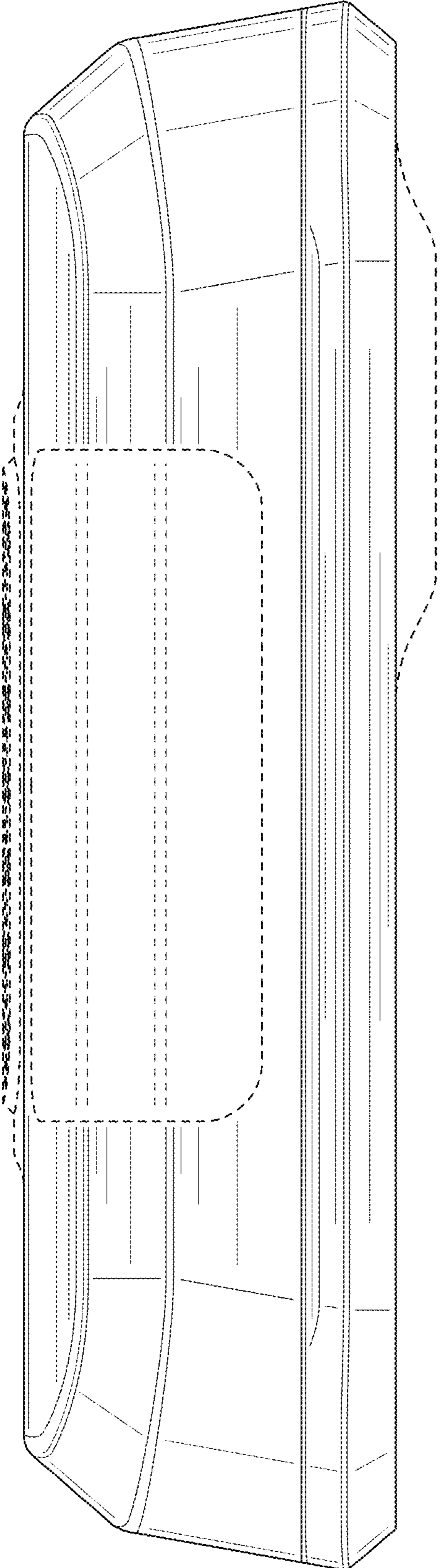


FIG. 3

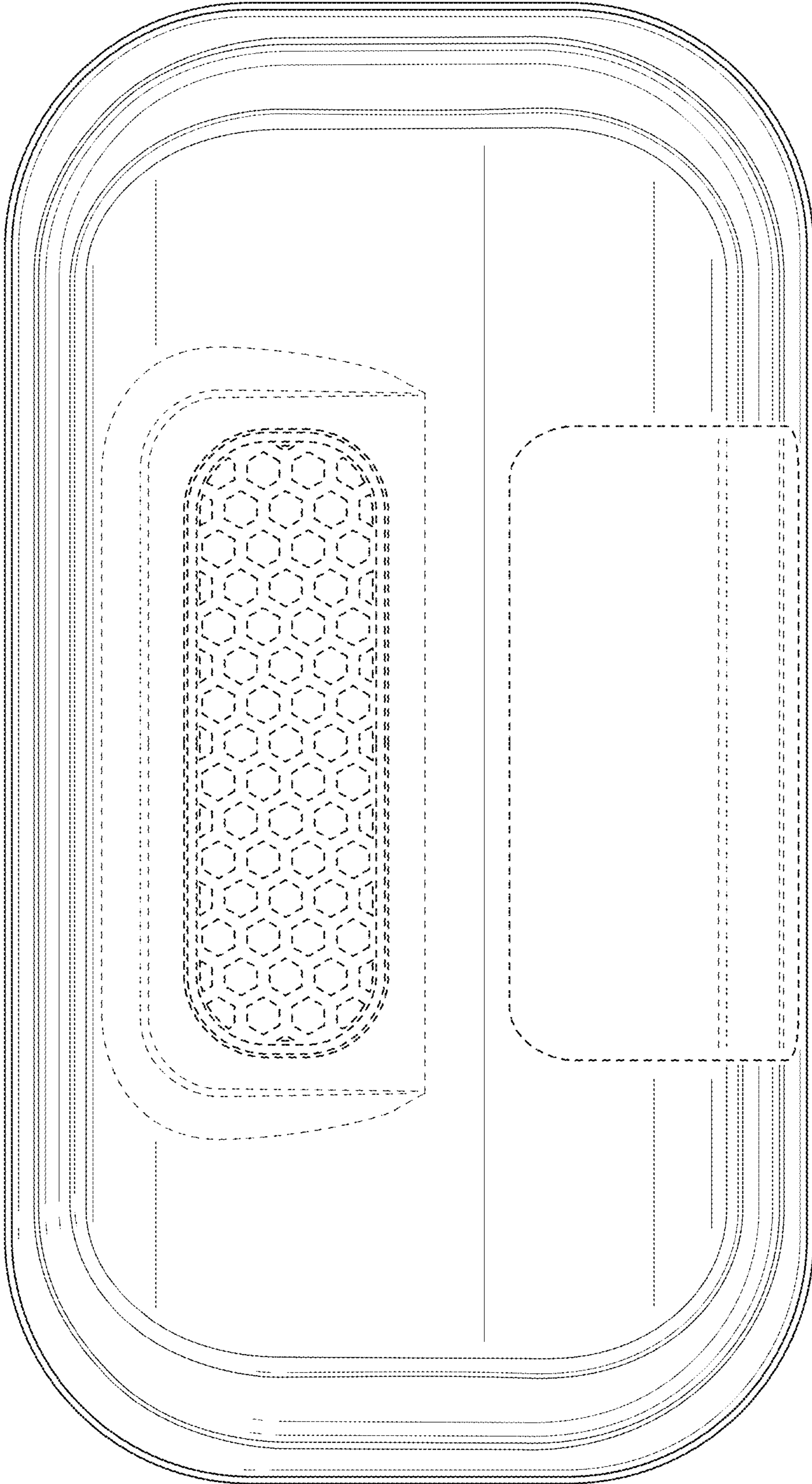


FIG. 4

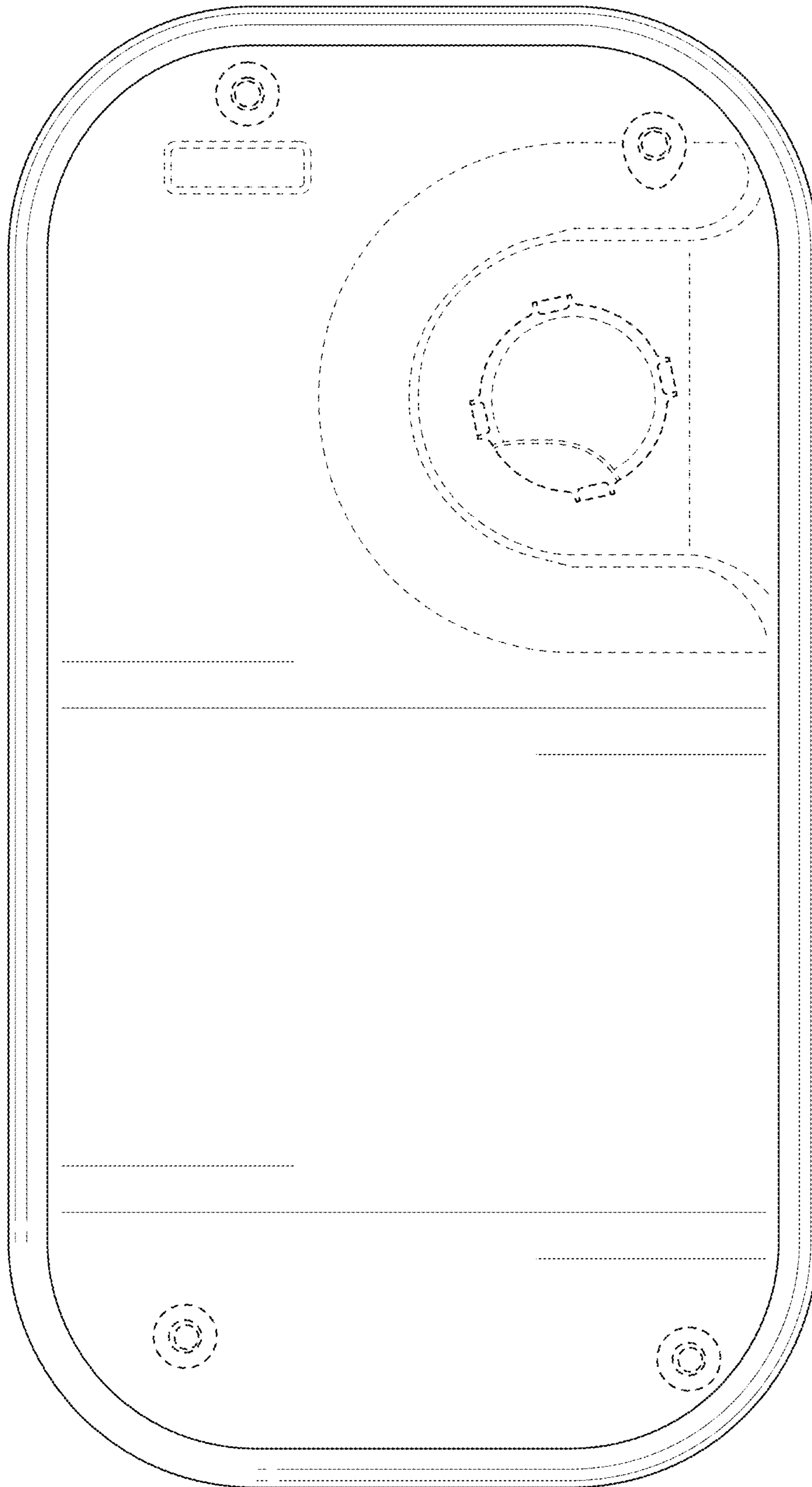


FIG. 5



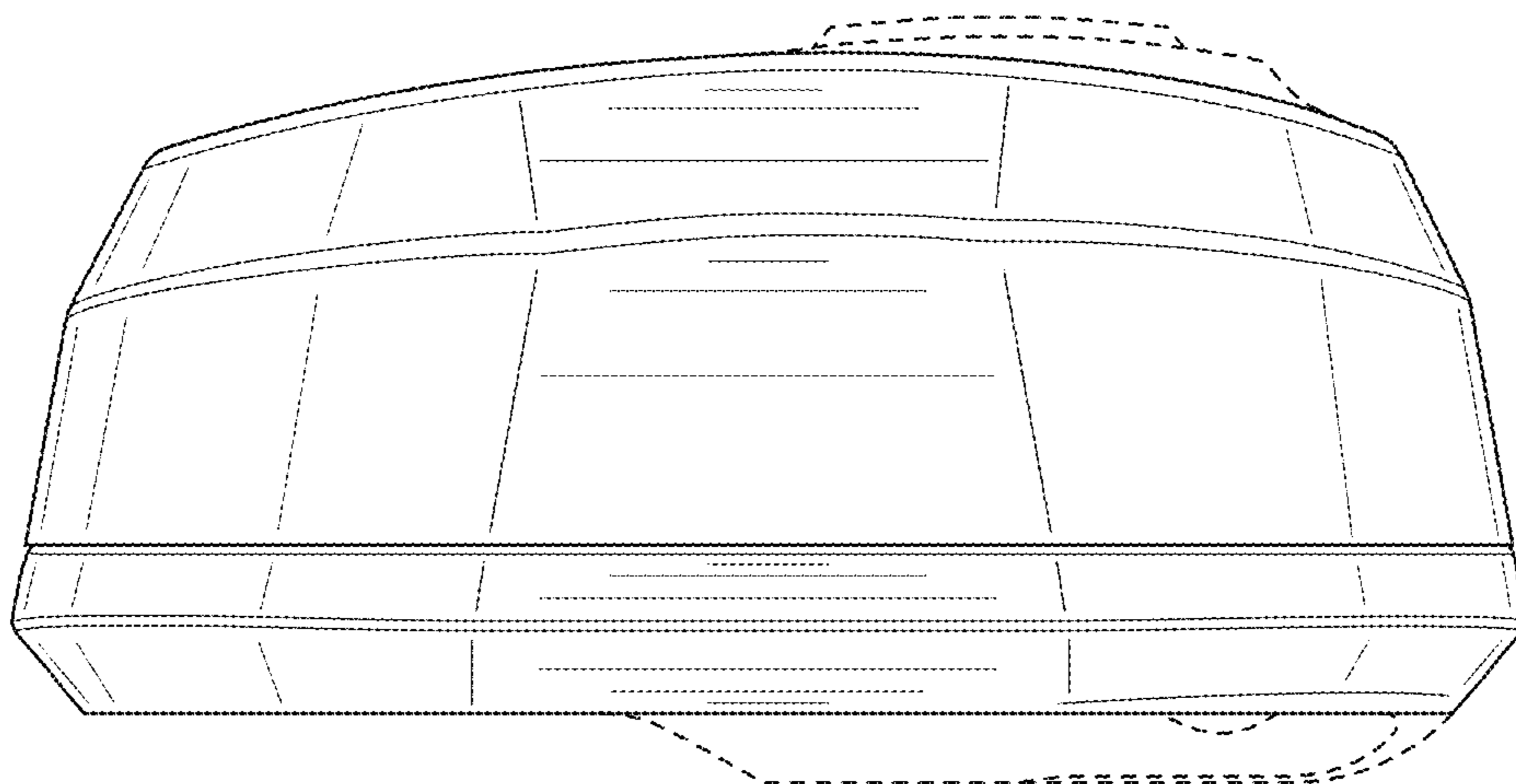


FIG. 6

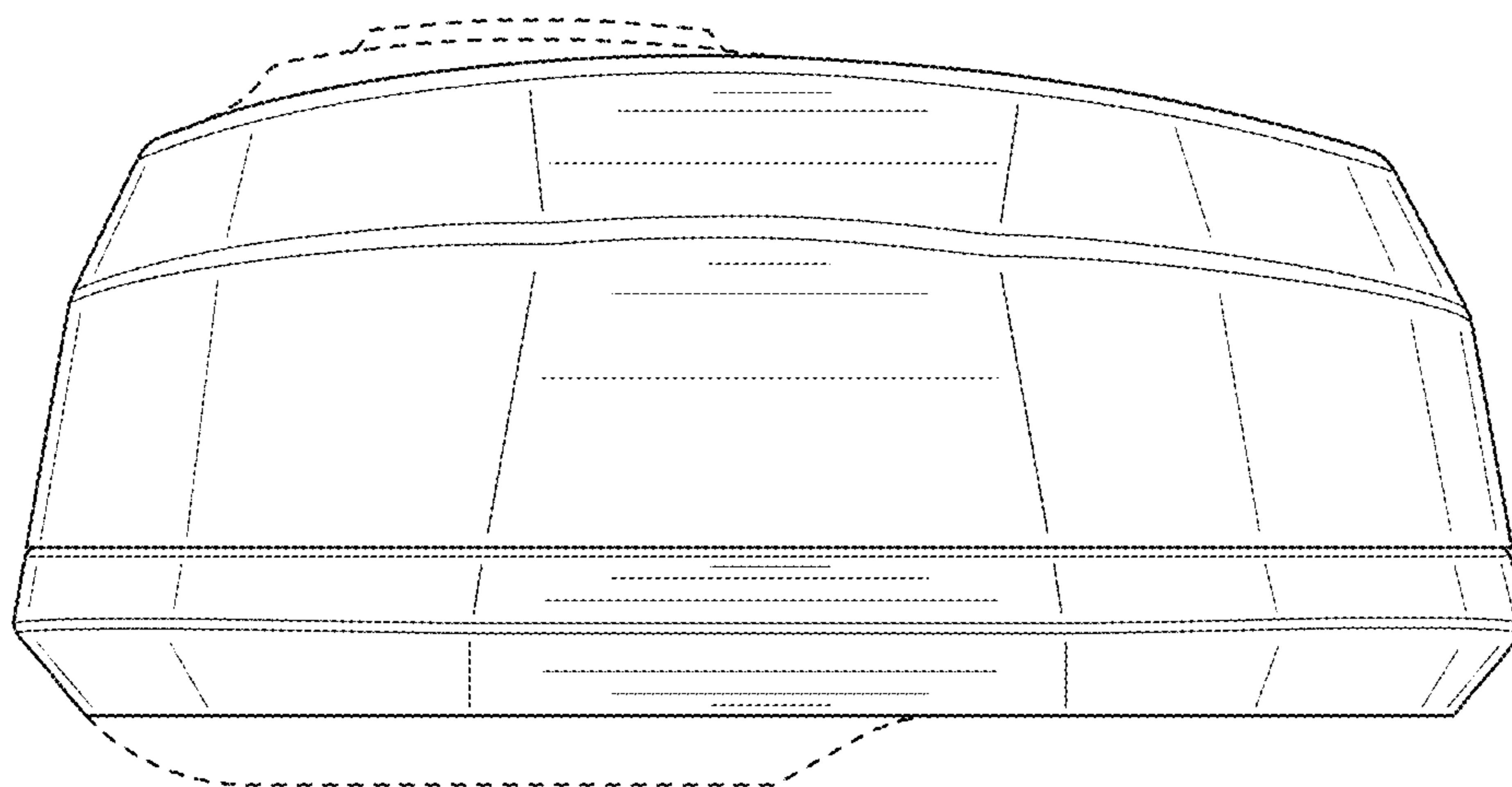


FIG. 7