

US00D794769S

(12) **United States Design Patent** (10) **Patent No.:** **US D794,769 S**
Baldwin et al. (45) **Date of Patent:** **** Aug. 15, 2017**

(54) **AIR REGISTER LOUVER**

(71) Applicants: **Jeffrey Baldwin**, Desert Hills, AZ
(US); **Ryan Liebengood**, Gilbert, AZ
(US)

(72) Inventors: **Jeffrey Baldwin**, Desert Hills, AZ
(US); **Ryan Liebengood**, Gilbert, AZ
(US)

(**) Term: **15 Years**

(21) Appl. No.: **29/562,241**

(22) Filed: **Apr. 24, 2016**

(51) **LOC (10) Cl.** **23-04**

(52) **U.S. Cl.**
USPC **D23/387**; D23/388

(58) **Field of Classification Search**
USPC D23/387, 388, 385, 386, 393, 397;
D6/703; D8/400; D25/48.3
CPC .. F23M 7/04; F24F 12/00; F24F 13/00; F24F
13/0227; F24F 13/0236
See application file for complete search history.

(56) **References Cited**

U.S. PATENT DOCUMENTS

1,488,090	A *	3/1924	Buhr	E04F 19/04 52/288.1
2,796,015	A *	6/1957	Hayes	F24F 13/072 454/287
3,264,793	A *	8/1966	Schlensker	E04F 13/088 52/511
4,340,106	A *	7/1982	Van Horn, II	E06B 3/80 160/184
4,446,667	A *	5/1984	Hertel	F24F 13/00 52/658
D288,282	S *	2/1987	Sheets	D8/373
D293,885	S *	1/1988	Carlmark	D8/395
4,750,300	A *	6/1988	Winger, Jr.	E04D 13/076 210/474
D318,608	S *	7/1991	Schenker	D8/371
D325,250	S *	4/1992	Kloster	D23/326

(Continued)

OTHER PUBLICATIONS

Louvers, Vents, Ducts, image post date Mar. 10, 2016, site visited Jun. 7, 2017, (online), <https://web.archive.org/web/20160310024649/http://www.oldairproducts.com/catalog/factory-replacement-parts/louvers-vents-ducts-c-2_10000_10018.html>.*

(Continued)

Primary Examiner — Kevin Rudzinski

Assistant Examiner — Sean D Lough

(74) *Attorney, Agent, or Firm* — Ryan Liebengood

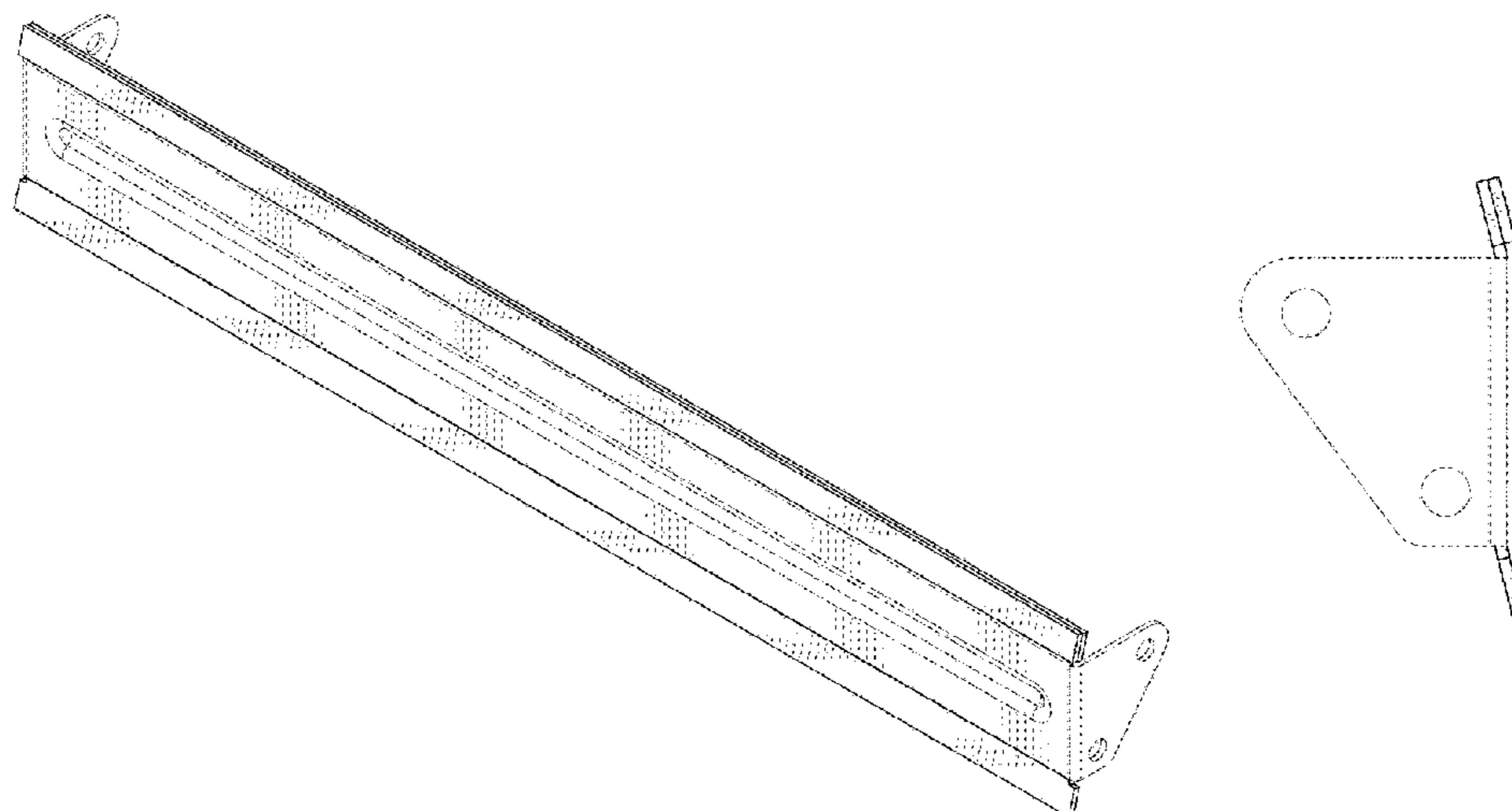
(57) **CLAIM**

We claim the ornamental design for an air register louver, as shown and described.

DESCRIPTION

FIG. 1 is a perspective view of a first embodiment of an air register louver showing our design; FIG. 2 is a front elevation view thereof; FIG. 3 is a rear elevation view thereof; FIG. 4 is a top plan view thereof; FIG. 5 is a bottom plan view thereof; FIG. 6 is a left elevation view thereof; FIG. 7 is a right elevation view thereof; FIG. 8 is a section view taken from line 8-8 in FIG. 2; FIG. 9 is a perspective view of a second embodiment of the air register louver showing our design; FIG. 10 is a front elevation view thereof; FIG. 11 is a rear elevation view thereof; FIG. 12 is a top plan view thereof; FIG. 13 is a bottom plan view thereof; FIG. 14 is a left elevation view thereof; FIG. 15 is a right elevation view thereof; and, FIG. 16 is a section view taken from line 16-16 in FIG. 10. The broken lines shown represent portions of the air register louver that form no part of the claimed design.

1 Claim, 8 Drawing Sheets



(56)

References Cited

U.S. PATENT DOCUMENTS

D338,264 S * 8/1993 Reed D23/389
 5,320,088 A * 6/1994 Nester F24C 15/20
 126/299 D
 D383,105 S * 9/1997 Brys D12/181
 D391,915 S * 3/1998 Miller D12/223
 D409,077 S * 5/1999 Brooks D8/354
 D424,674 S * 5/2000 Puc D23/355
 D428,328 S * 7/2000 Jarnagin D8/382
 6,202,641 B1 * 3/2001 Lazzaro F24C 15/20
 126/299 D
 D442,473 S * 5/2001 Habeck D8/402
 6,599,184 B2 * 7/2003 Morris E04D 13/174
 454/365
 D481,932 S * 11/2003 Bess D25/141
 D507,344 S * 7/2005 Anderson D23/393
 D514,209 S * 1/2006 Evans D23/314
 D521,635 S * 5/2006 DePierro D23/395
 7,044,852 B2 * 5/2006 Horton F24F 7/02
 454/365
 D532,291 S * 11/2006 Geers D8/394
 D547,642 S * 7/2007 Urmson, Jr. D8/382
 D566,825 S * 4/2008 Lucero D23/386
 D593,698 S * 6/2009 Noh D26/76
 D602,147 S * 10/2009 Lucero D23/386

D602,579 S * 10/2009 Stone D23/373
 D610,735 S * 2/2010 Chien D26/76
 7,910,828 B1 * 3/2011 Shotey H02G 3/12
 174/58
 D640,782 S * 6/2011 Dunn D23/386
 D641,589 S * 7/2011 Jones D7/407
 D671,258 S * 11/2012 Ferrier D26/120
 D674,889 S * 1/2013 Mims D23/386
 D682,455 S * 5/2013 Apetauer D26/74
 D683,441 S * 5/2013 Simone D23/393
 D723,434 S * 3/2015 McNeil D12/167
 D736,365 S * 8/2015 Breneman D23/372
 D746,972 S * 1/2016 Aruga D23/393
 D770,029 S * 10/2016 Guillemi D23/392
 2006/0249141 A1 * 11/2006 Sinur F24C 15/2064
 126/299 R
 2008/0302352 A1 * 12/2008 Pearce F24C 15/2071
 126/299 R

OTHER PUBLICATIONS

67-72 A-C Center Vent, image post date 1967, site visited Jun. 7, 2017, (online), <http://www.brotherstrucks.com/67-72-A_C-CENTER-VENT-CHROME/productinfo/JWF1275/>.*

* cited by examiner

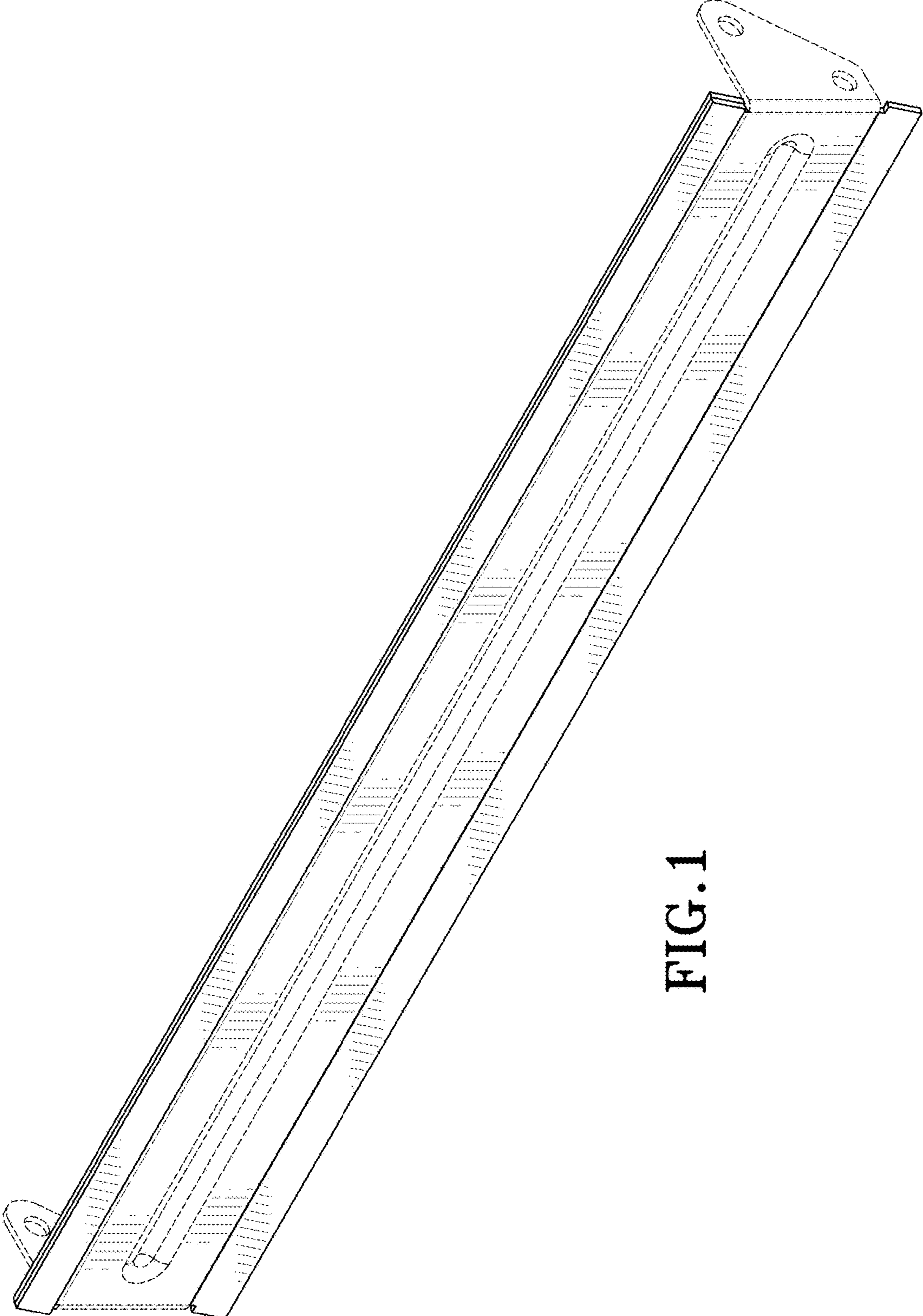


FIG. 1

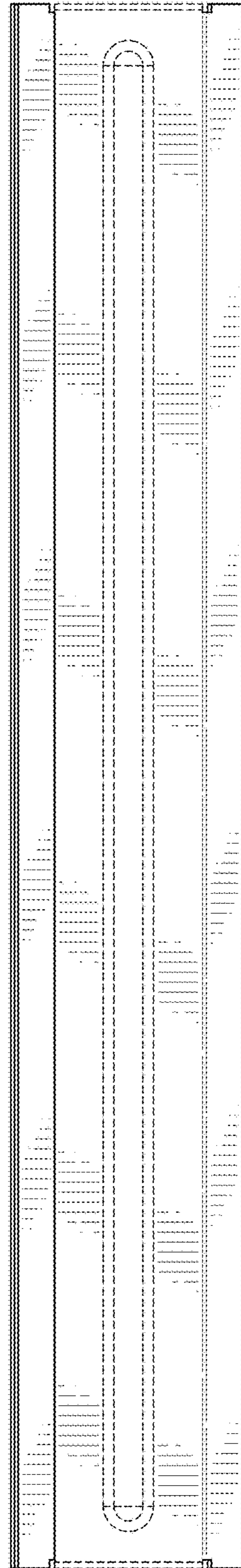
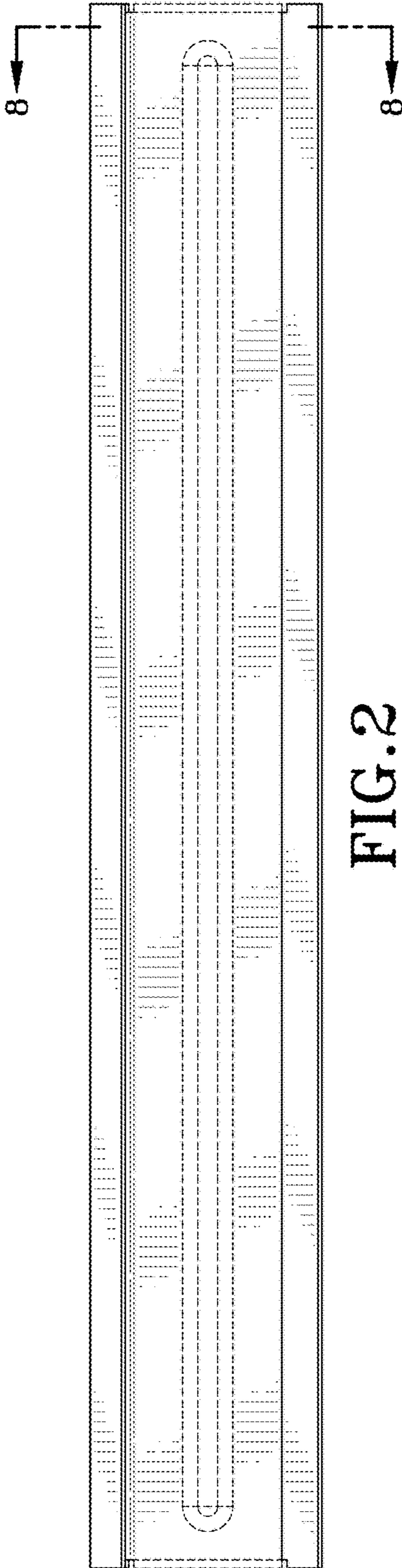




FIG. 4

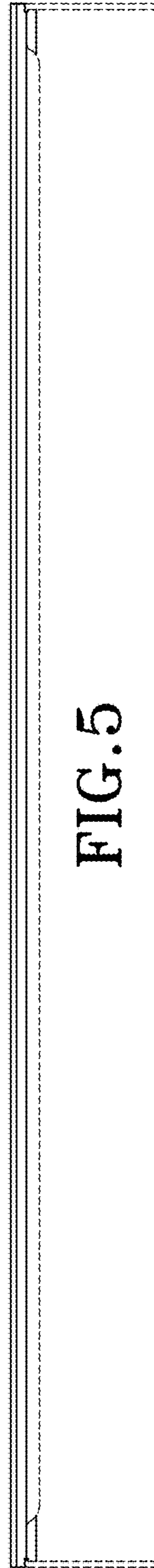


FIG. 5

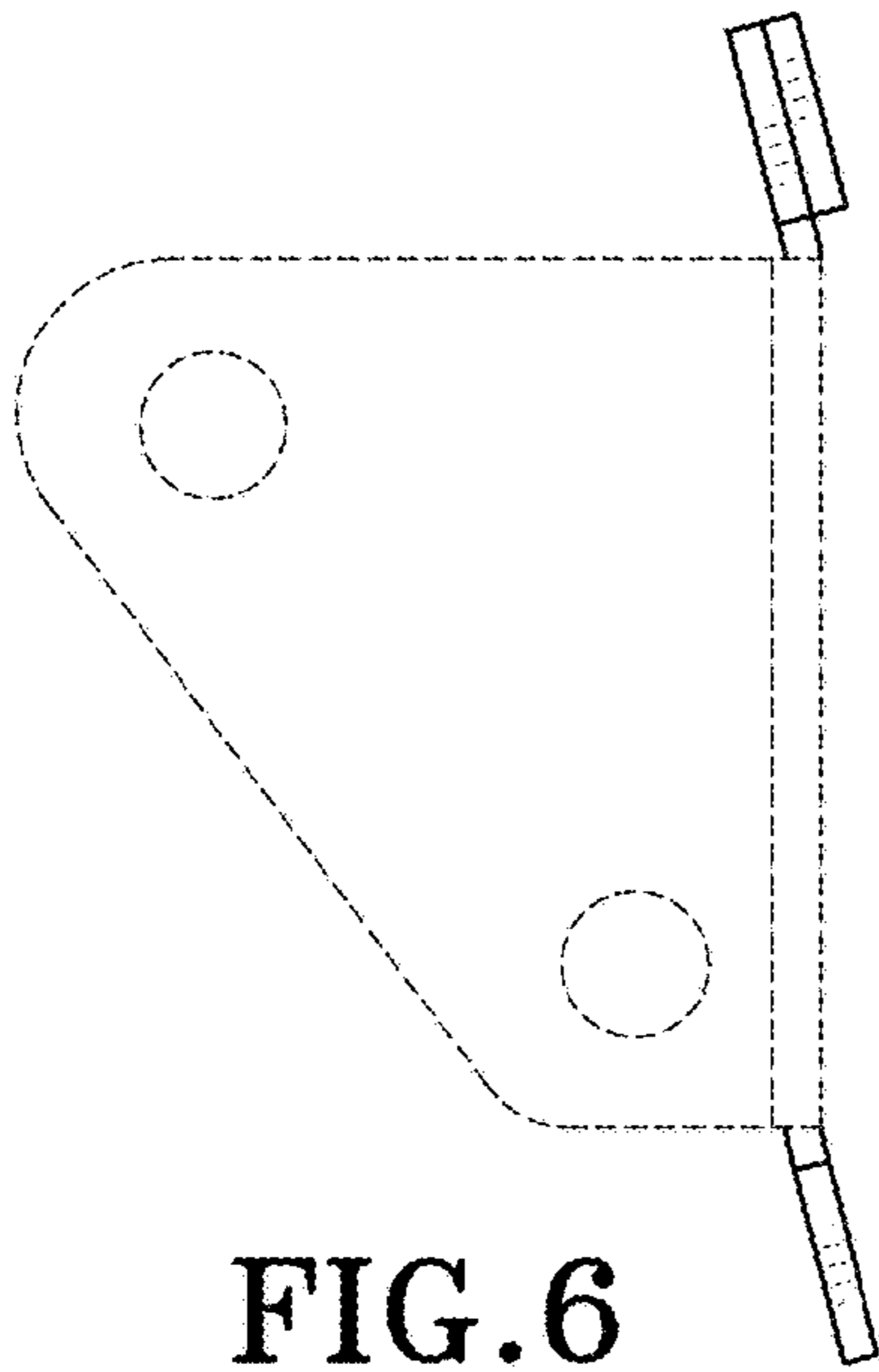


FIG. 6

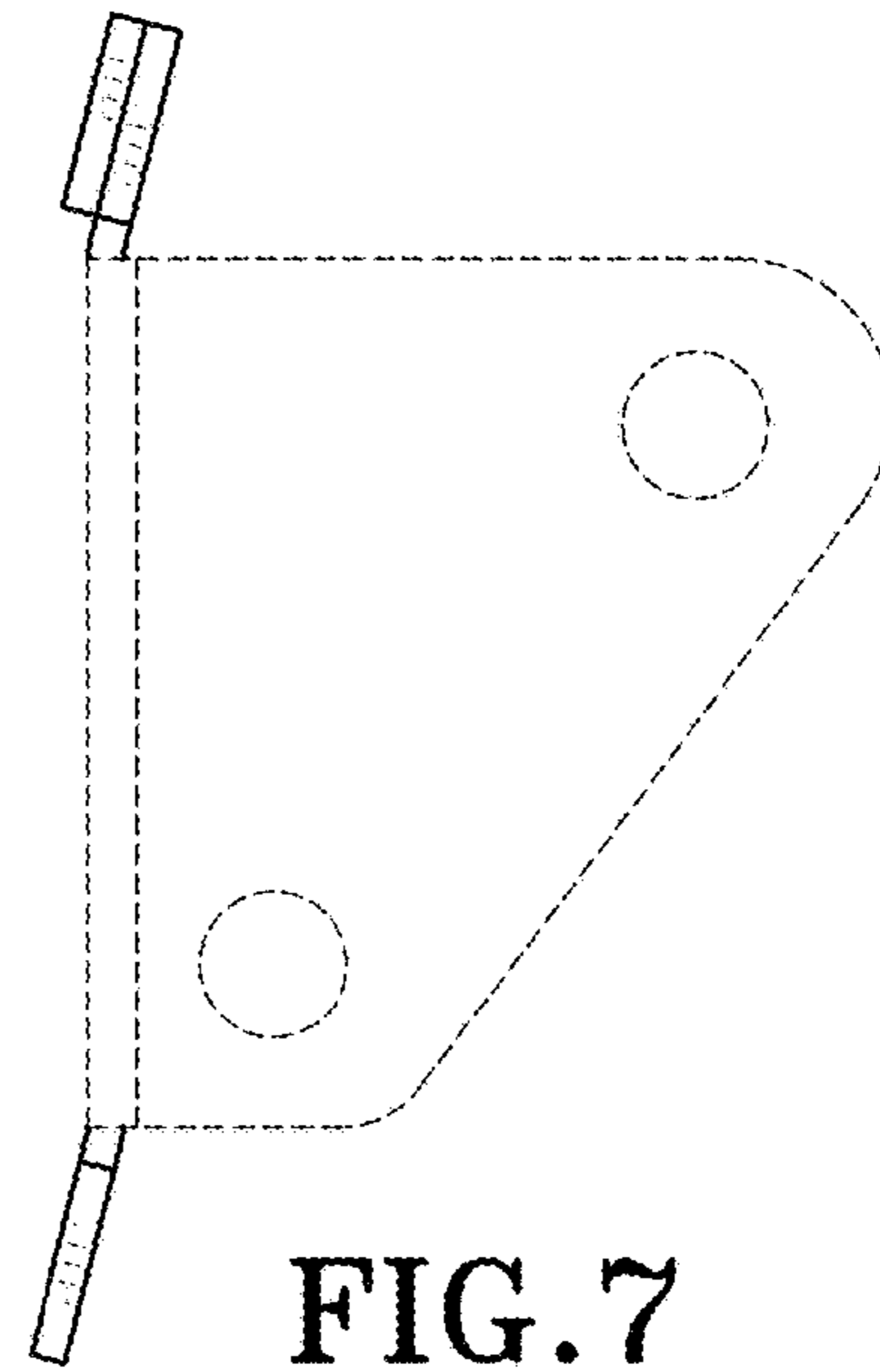


FIG. 7

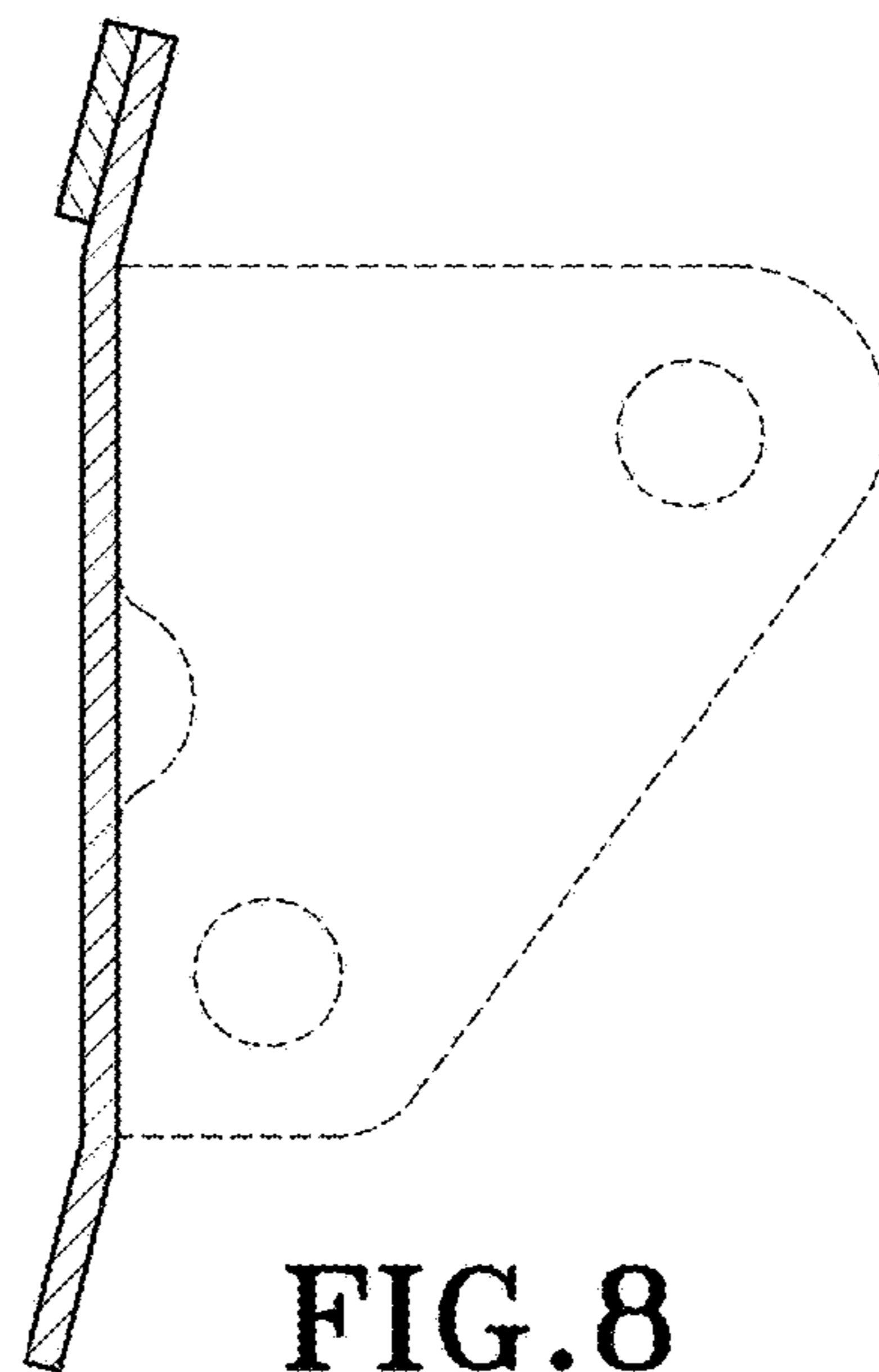


FIG. 8

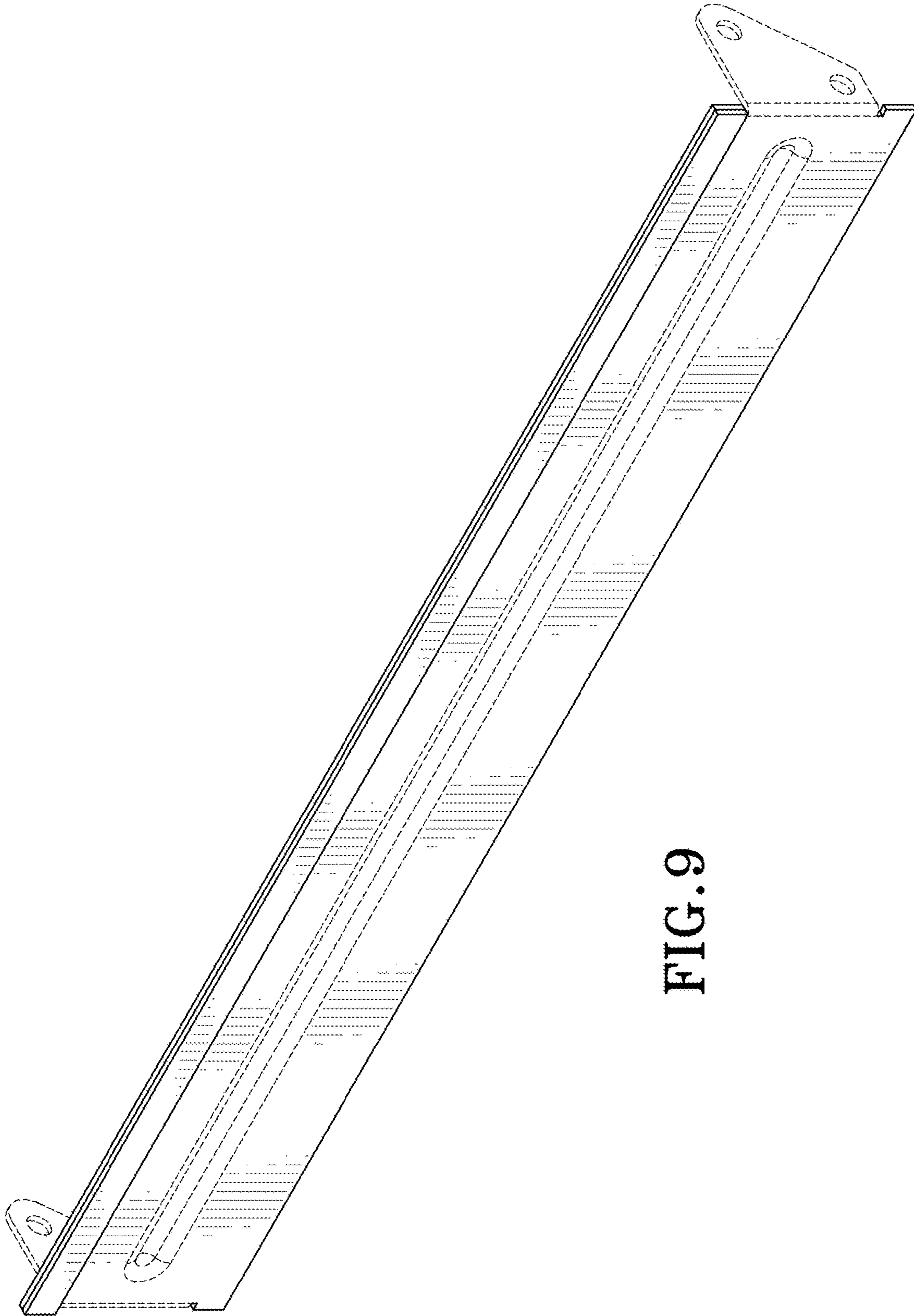
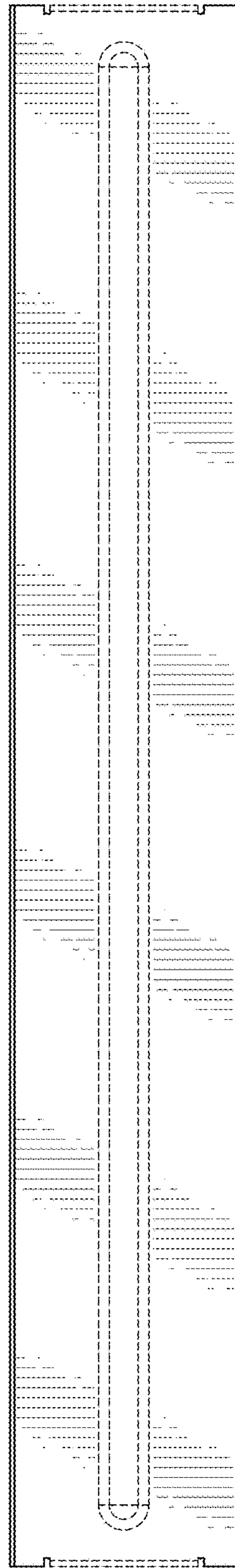
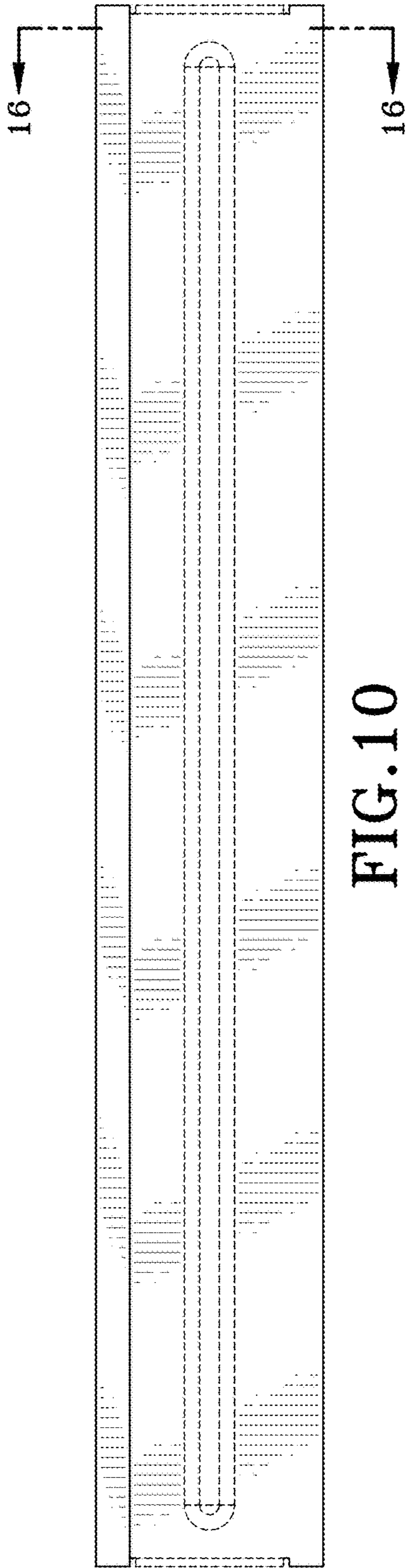


FIG. 9



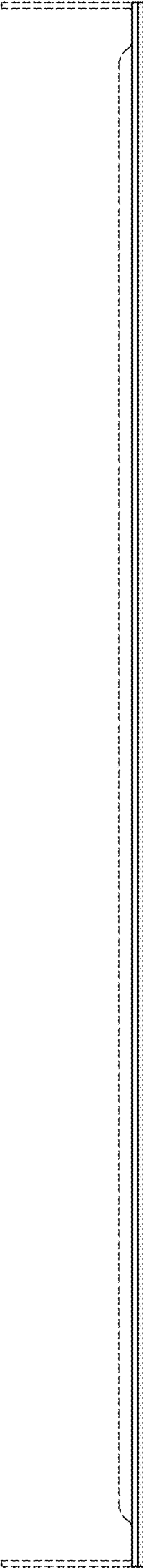


FIG. 12

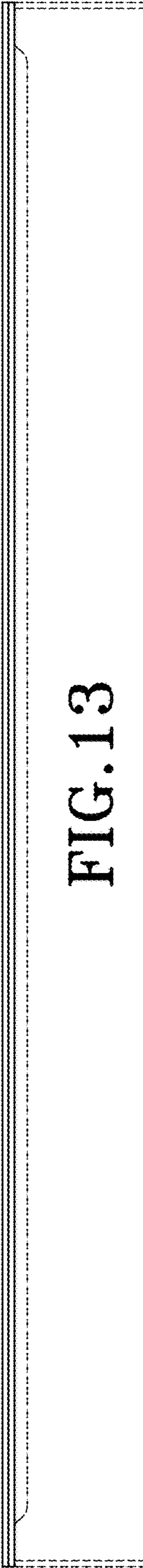


FIG. 13

