



US00D794768S

(12) **United States Design Patent** (10) **Patent No.:** **US D794,768 S**  
**Wang** (45) **Date of Patent:** **\*\* Aug. 15, 2017**

- (54) **CEILING FAN**
- (71) Applicant: **YOUNGO LIMITED**, Hong Kong (CN)
- (72) Inventor: **Cliff Wang**, Taichung (TW)
- (73) Assignee: **YOUNGO LIMITED**, Hong Kong (CN)
- (\*\*) Term: **15 Years**
- (21) Appl. No.: **29/563,753**
- (22) Filed: **May 6, 2016**
- (51) **LOC (10) Cl.** ..... **23-04**
- (52) **U.S. Cl.**  
USPC ..... **D23/377**
- (58) **Field of Classification Search**  
USPC ..... D23/355, 370-387, 411-414; D26/59; D12/214  
CPC ..... F04D 25/088; F21V 33/0096  
See application file for complete search history.

(56) **References Cited**

**U.S. PATENT DOCUMENTS**

D345,790 S *	4/1994	Caldwell	.....	D23/377
D346,438 S *	4/1994	Caldwell	.....	D23/377
D489,447 S *	5/2004	Young	.....	D23/413
D503,474 S *	3/2005	Tai	.....	D23/413
D503,475 S *	3/2005	Tai	.....	D23/413
D596,733 S *	7/2009	Kihara	.....	D23/377
7,665,967 B1 *	2/2010	Parker	.....	F04D 29/38 416/223 R

D679,795 S *	4/2013	Allen	.....	D23/377
D707,336 S *	6/2014	Pan	.....	D23/377
D715,418 S *	10/2014	Schulzman	.....	D23/377
D726,299 S *	4/2015	Schulzman	.....	D23/413
D745,658 S *	12/2015	Wang	.....	D23/413
D745,956 S *	12/2015	Ertze	.....	D23/385
D750,221 S *	2/2016	Schulzman	.....	D23/413
D771,230 S *	11/2016	Jones	.....	D23/377
2008/0069698 A1 *	3/2008	Laisathit	.....	F04D 25/088 416/210 R

\* cited by examiner

*Primary Examiner* — Cathron Brooks  
*Assistant Examiner* — Sharon S Oum

(74) *Attorney, Agent, or Firm* — Pai Patent & Trademark Law Firm; Chao-Chang David Pai

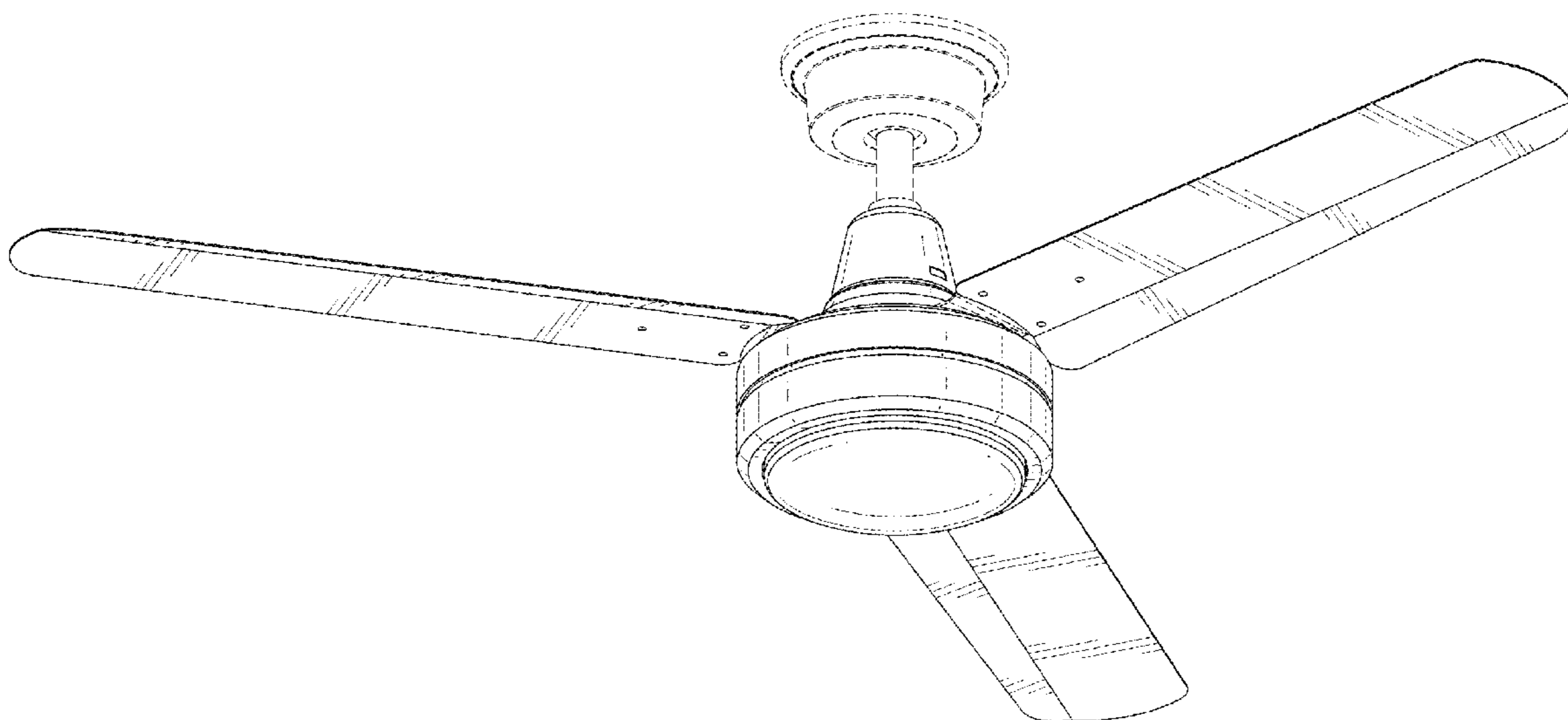
(57) **CLAIM**

The ornamental design for a ceiling fan, as shown and described.

**DESCRIPTION**

FIG. 1 is a front top perspective view of a ceiling fan showing my new design;  
 FIG. 2 is a front elevational view thereof;  
 FIG. 3 is a rear elevational view thereof;  
 FIG. 4 is a left side elevational view thereof;  
 FIG. 5 is a right side elevational view thereof;  
 FIG. 6 is a top plan view thereof;  
 FIG. 7 is a bottom plan view thereof; and,  
 FIG. 8 is another front bottom perspective view thereof.  
 The broken lines are for the purpose of illustrating environmental structure and form no part of the claimed design.

**1 Claim, 6 Drawing Sheets**



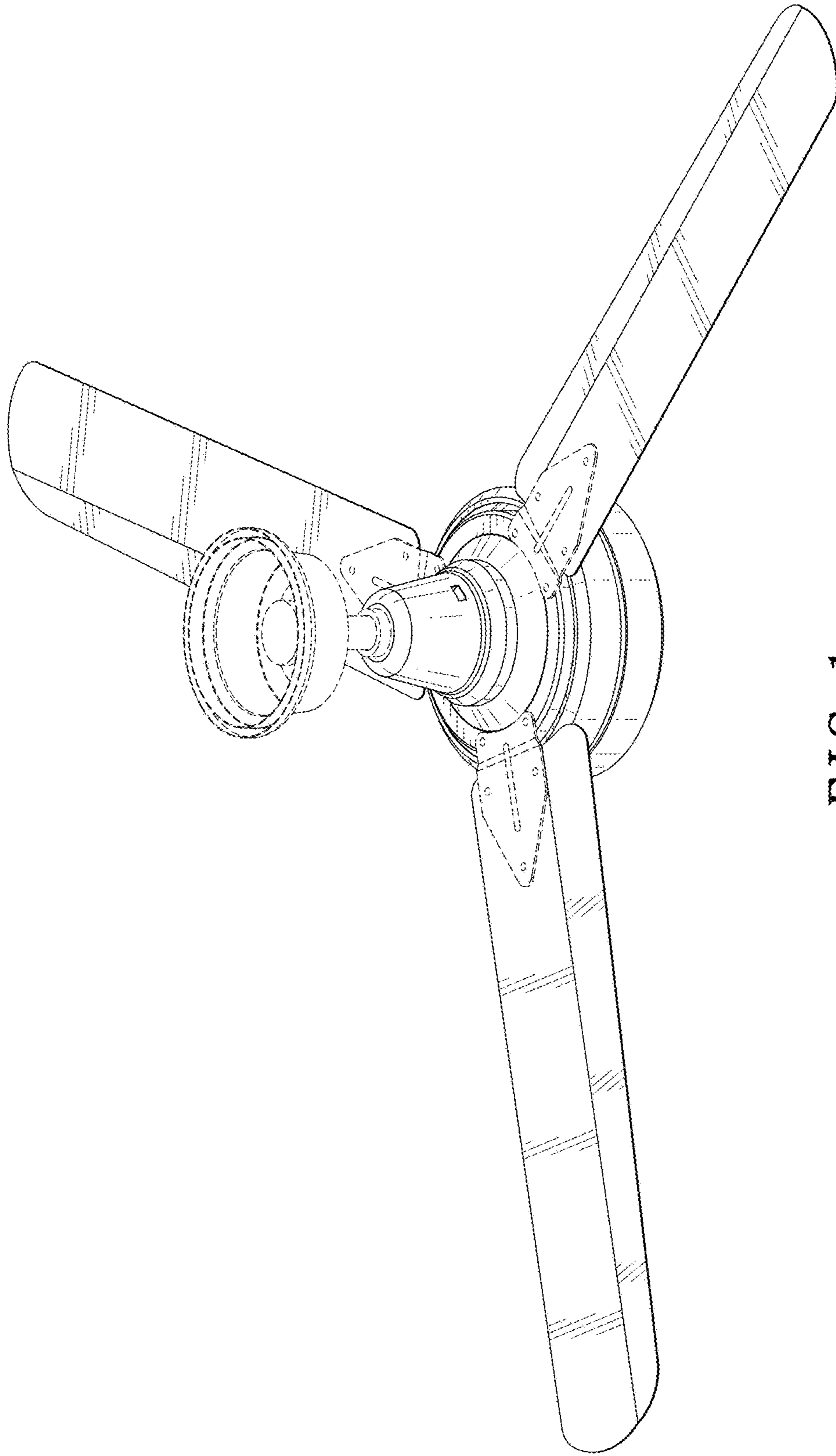


FIG. 1

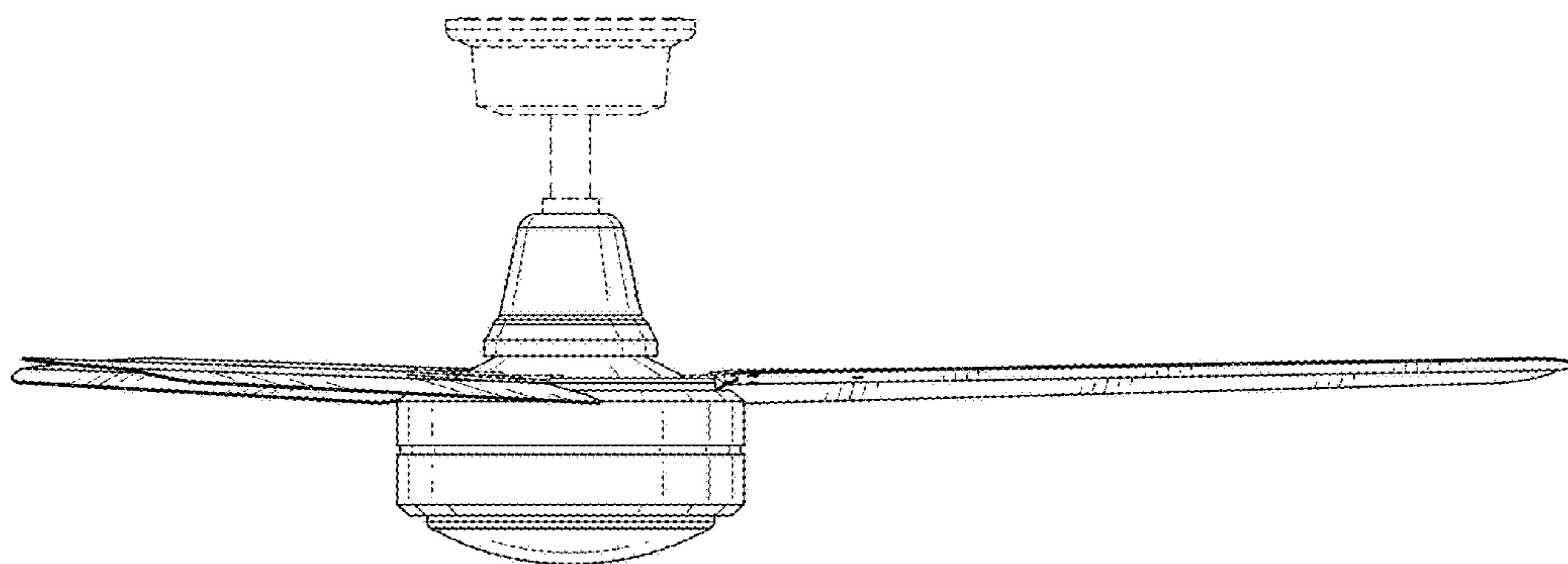


FIG. 2

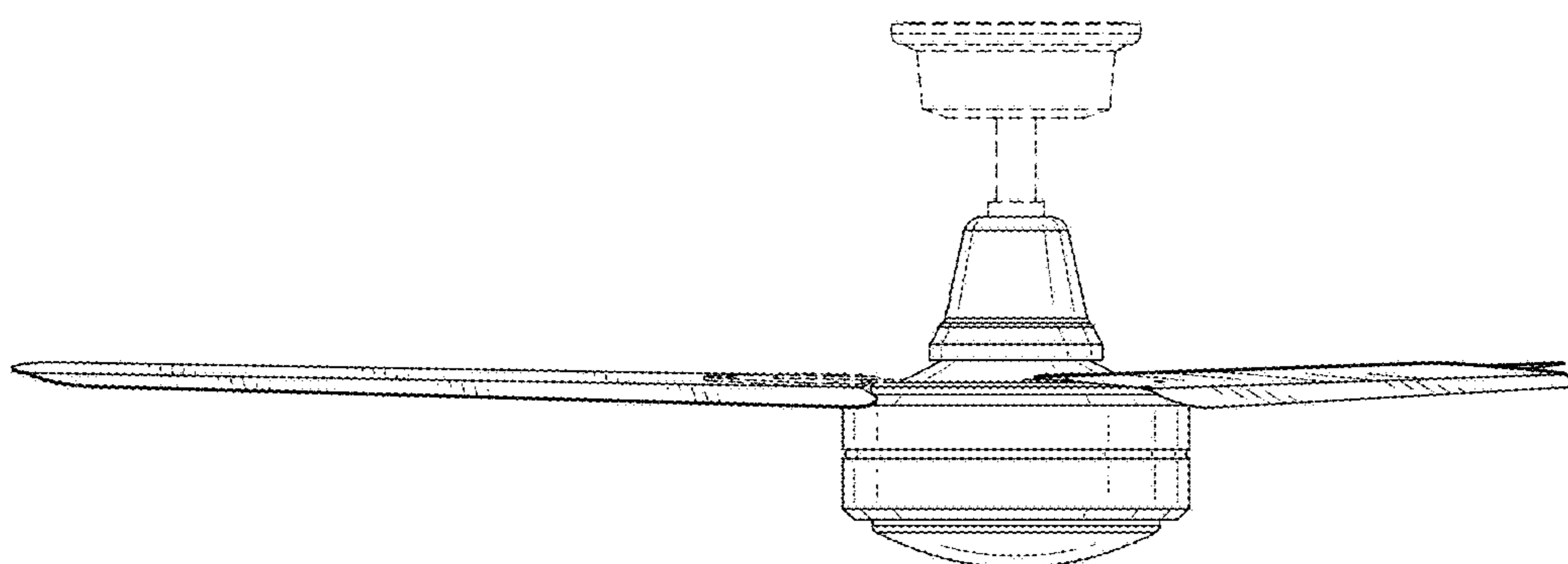


FIG. 3

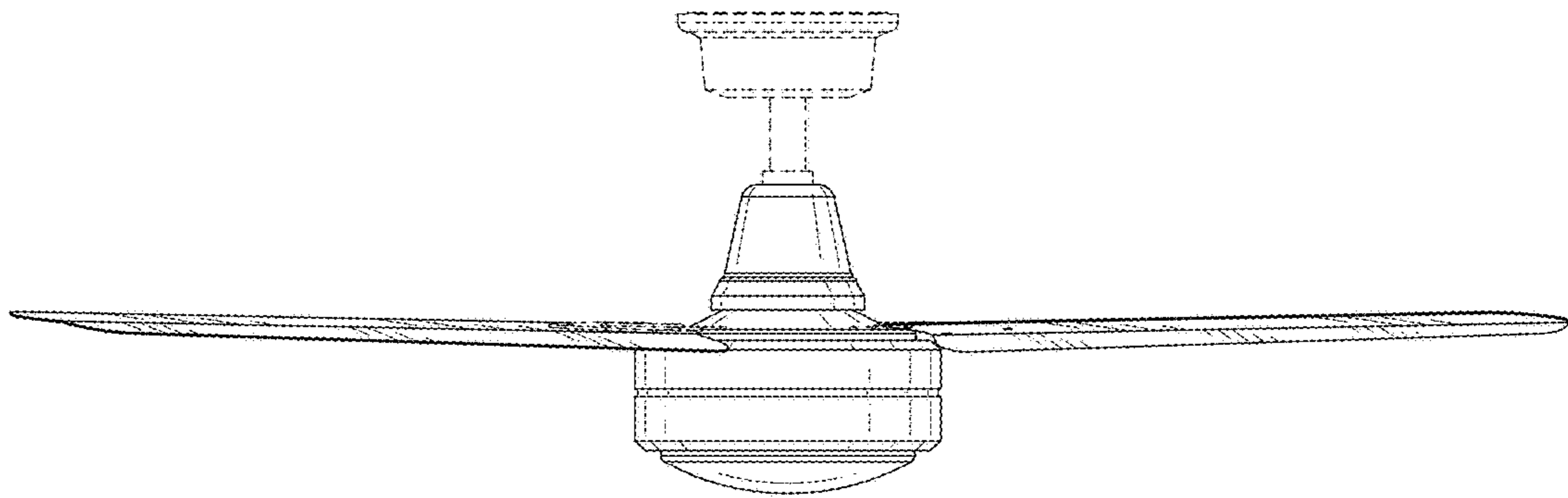


FIG. 4

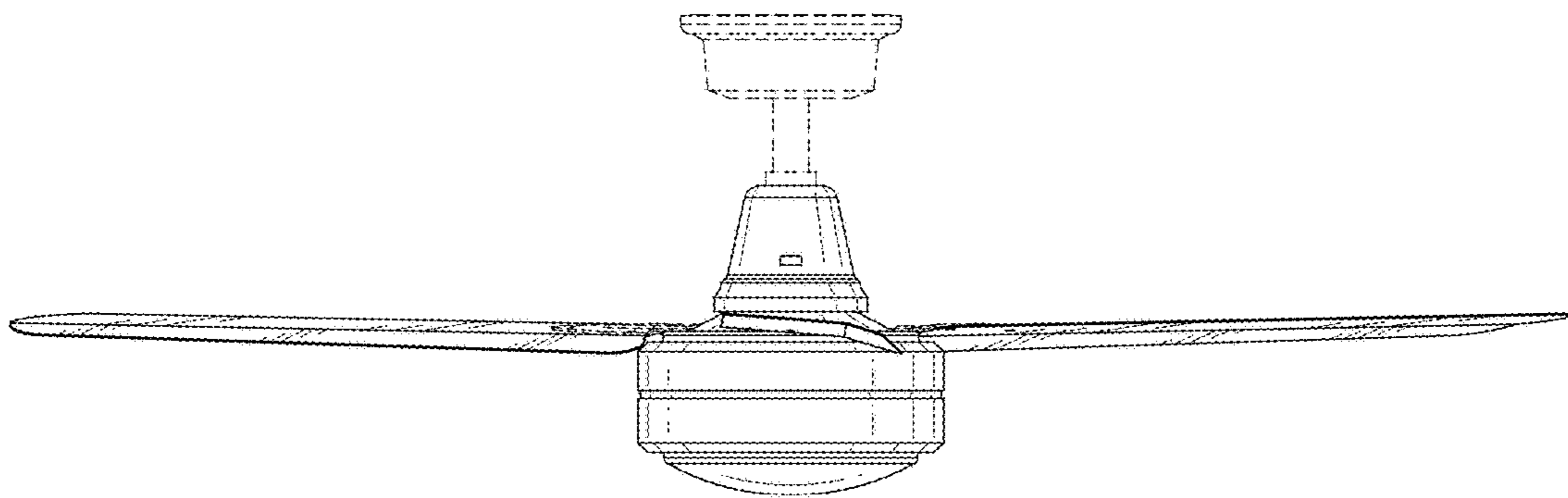


FIG. 5

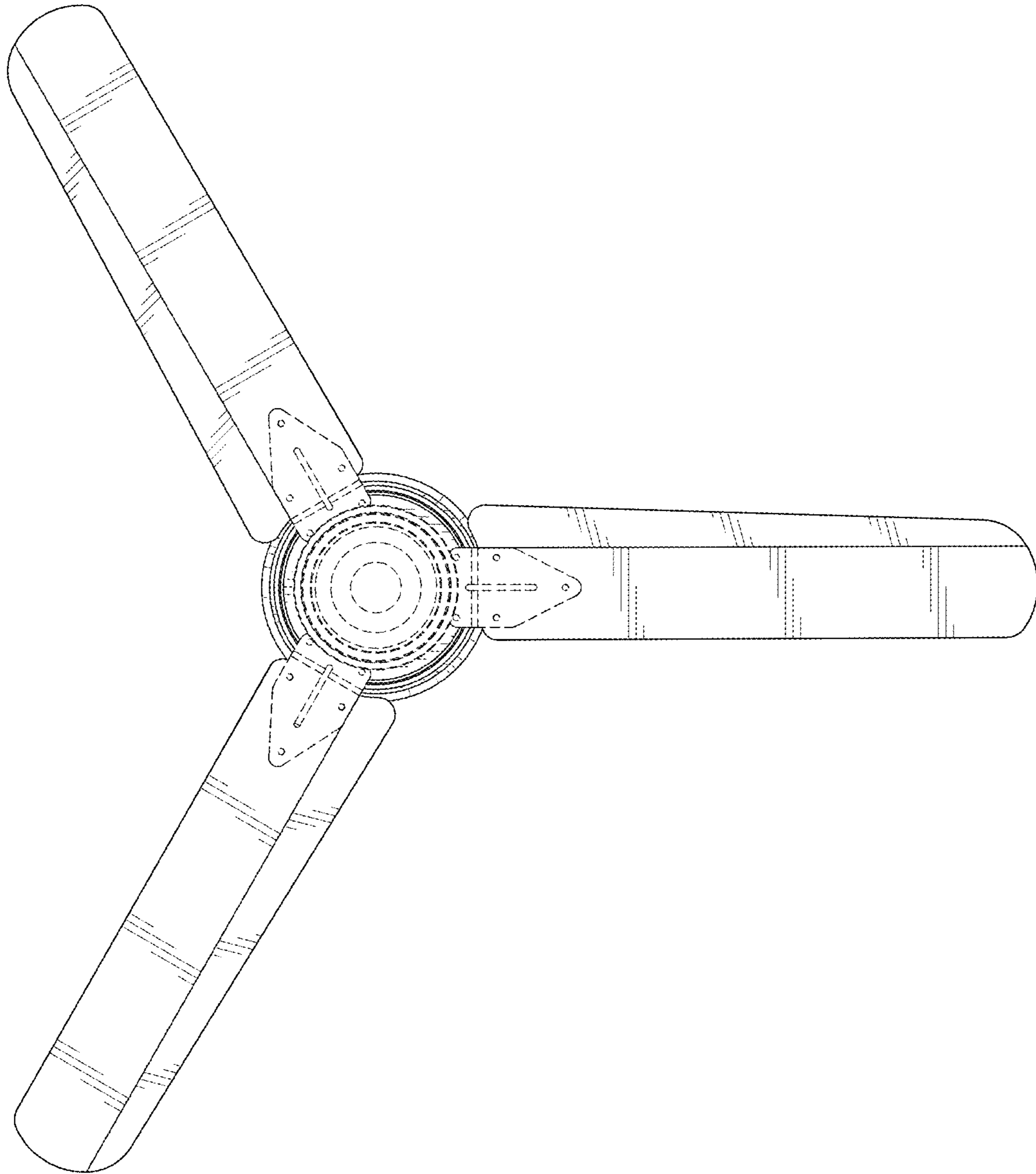


FIG. 6

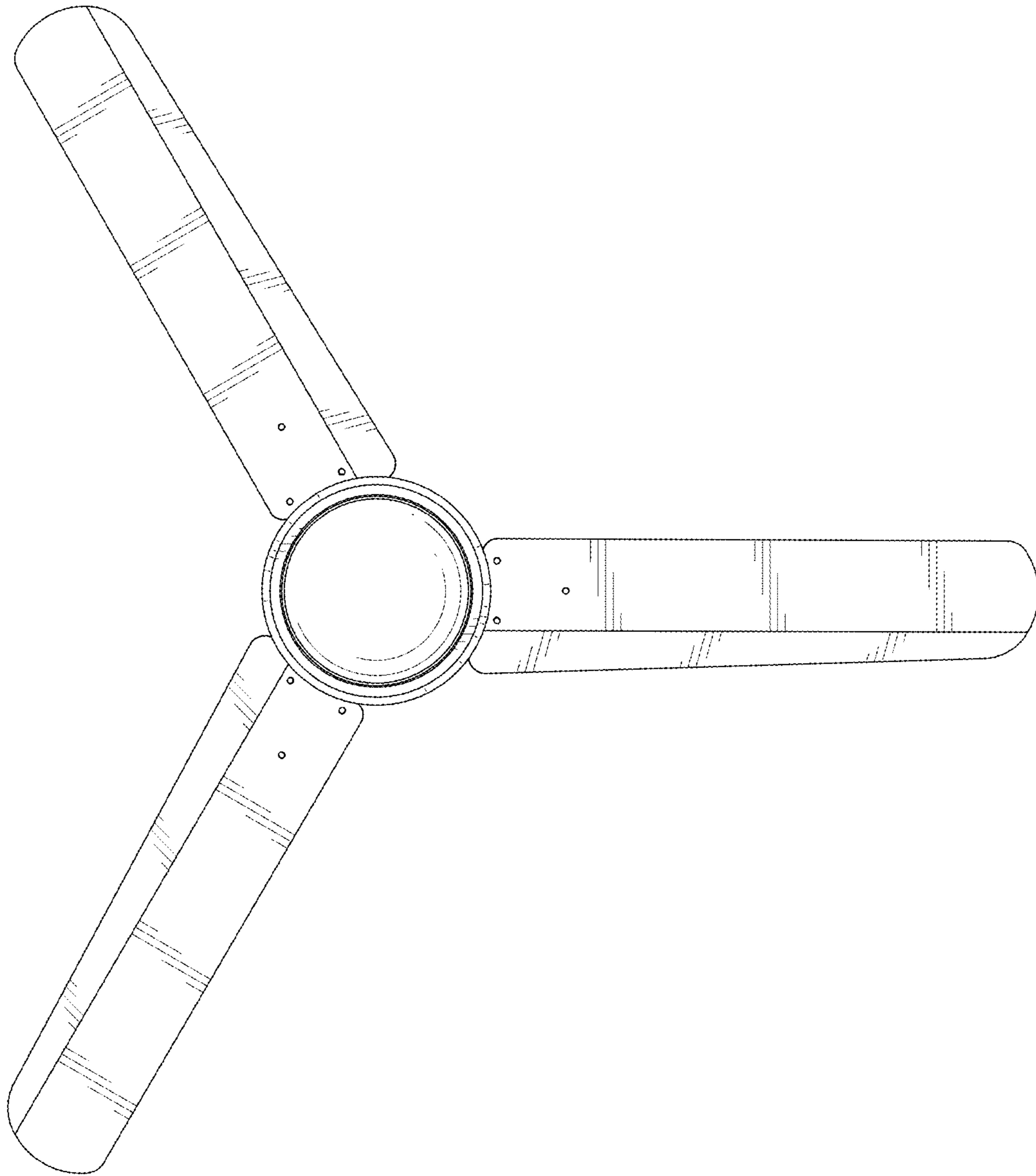


FIG. 7

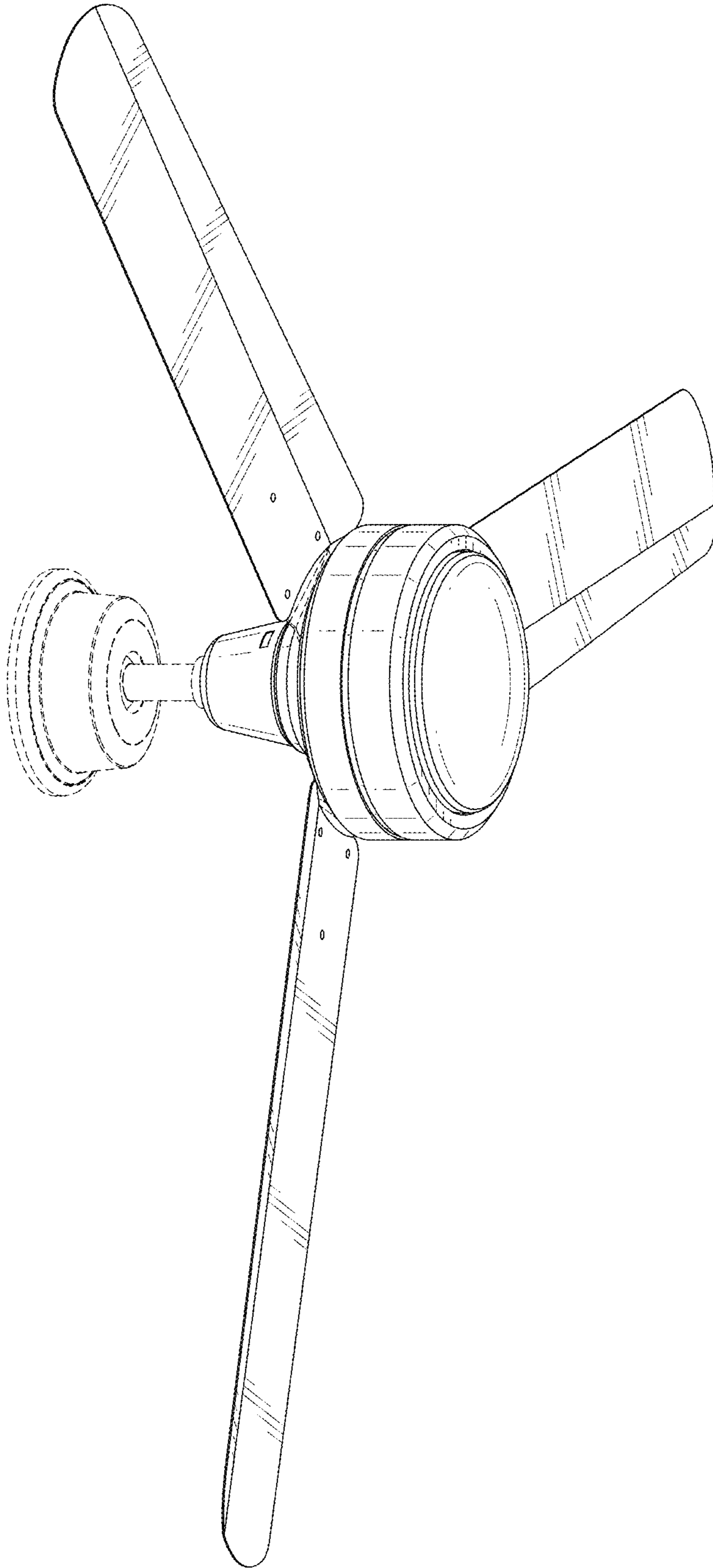


FIG. 8